

VANGUARD®



en Operator's Manual

da Betjeningsvejledning

de Bedienungsanleitung

el Εγχειρίδιο χρήσ

es Manual del operador

fi Käyttäjän käsikirja

fr Manuel d'utilisation

it Manuale dell'Operatore

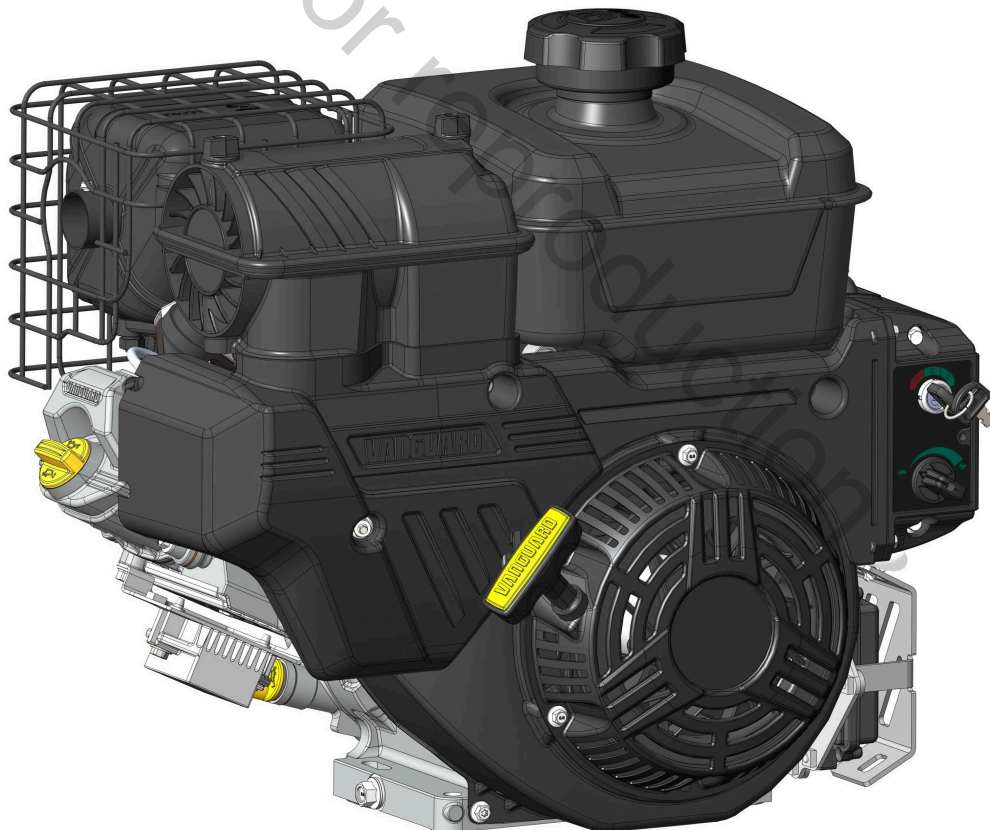
nl Gebruiksaanwijzing

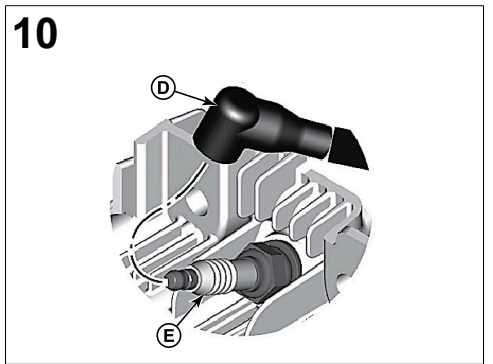
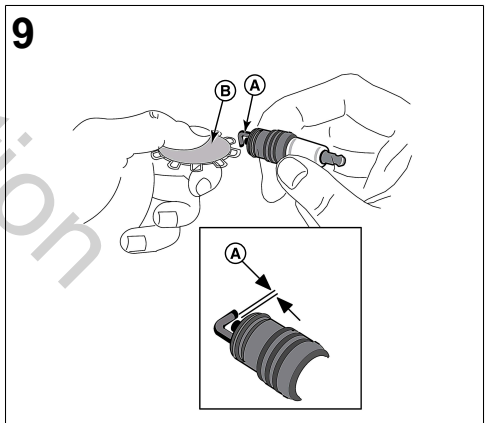
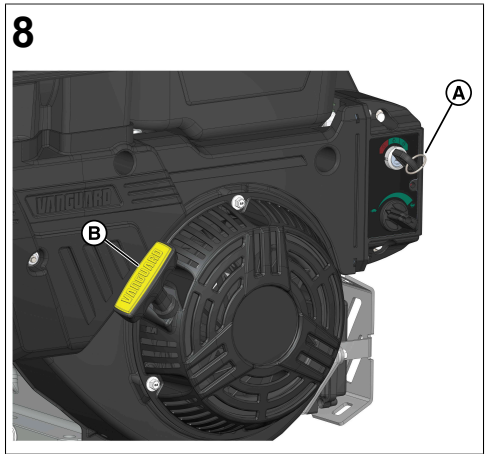
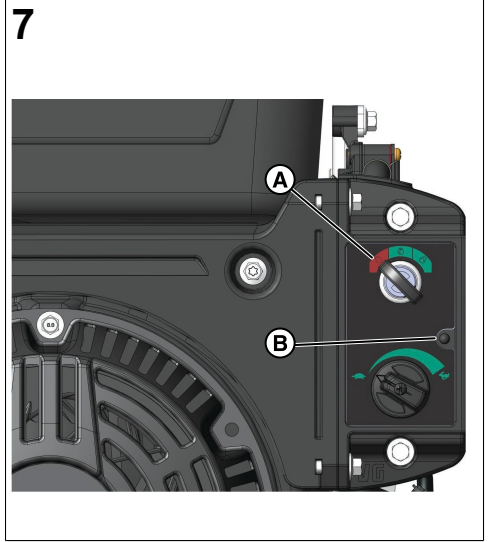
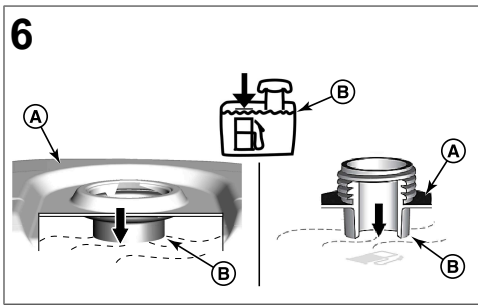
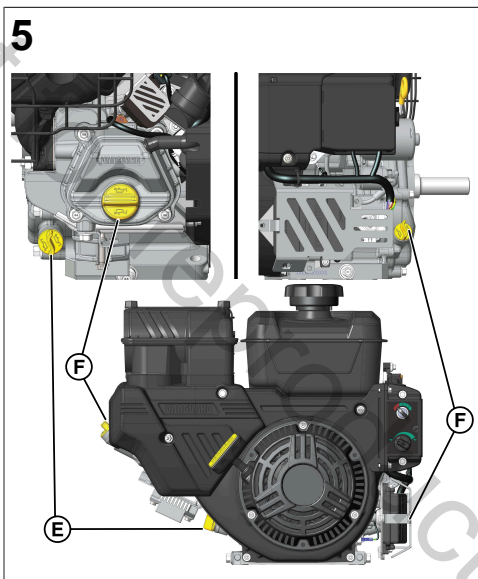
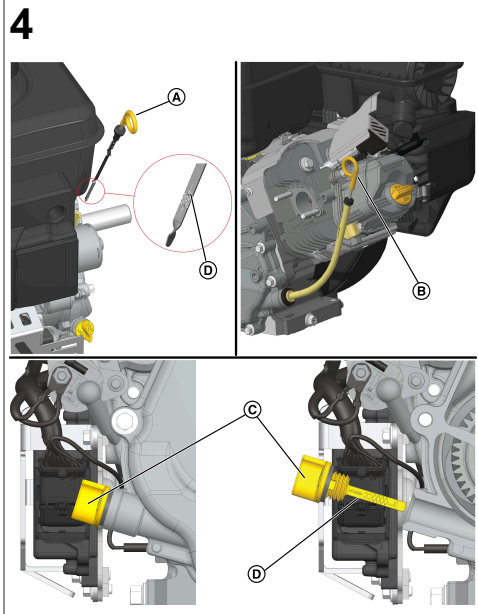
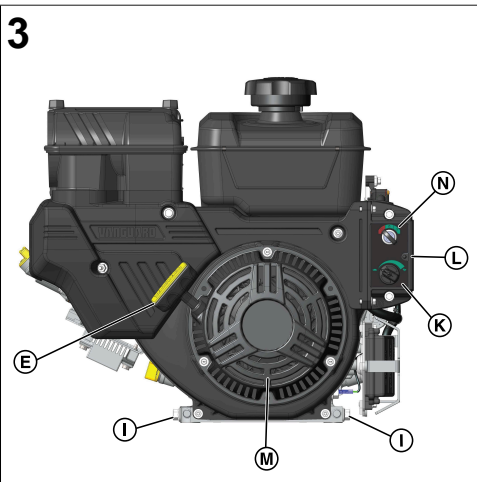
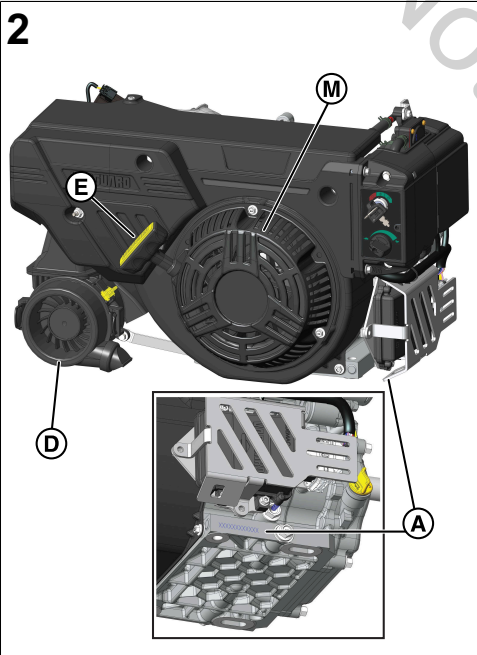
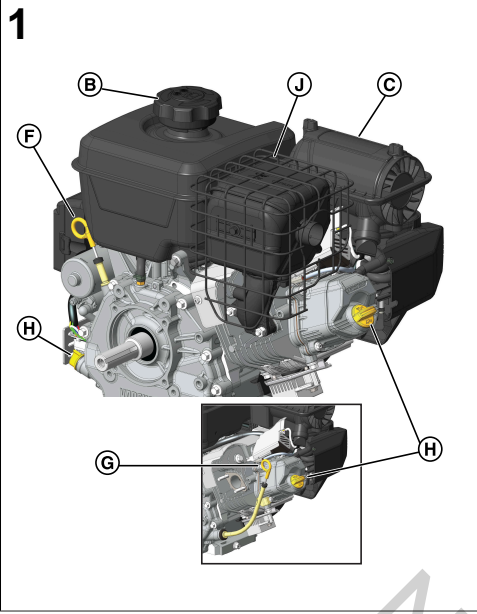
no Brukerhåndbok

pt Manual do Operador

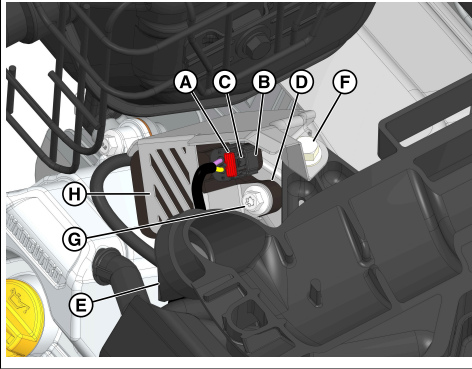
sv Instruktionsbok

25E300

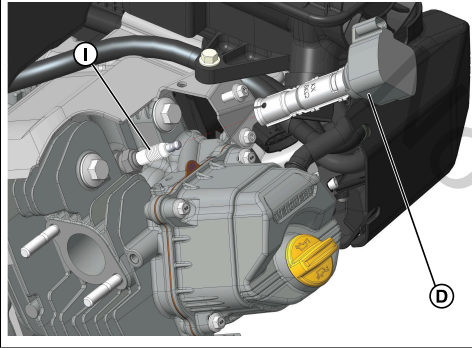




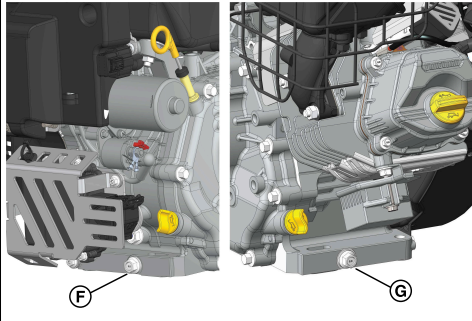
11



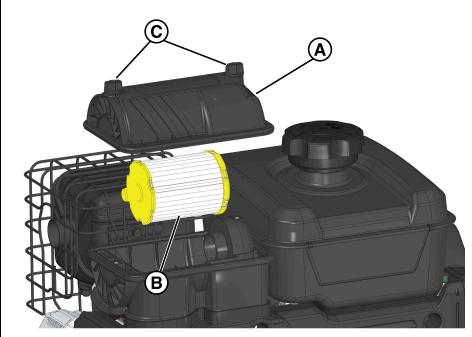
12



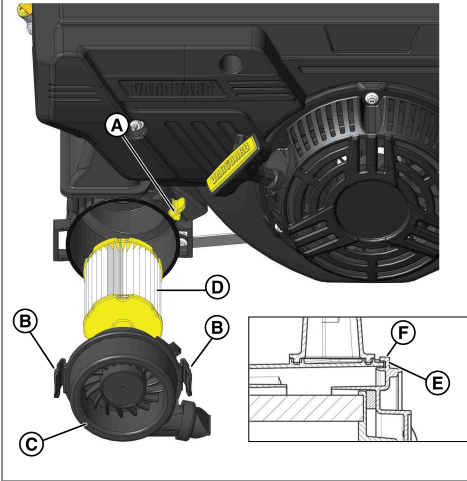
13



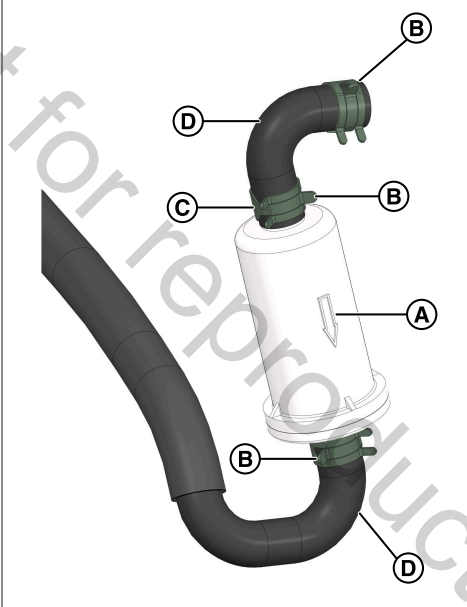
14



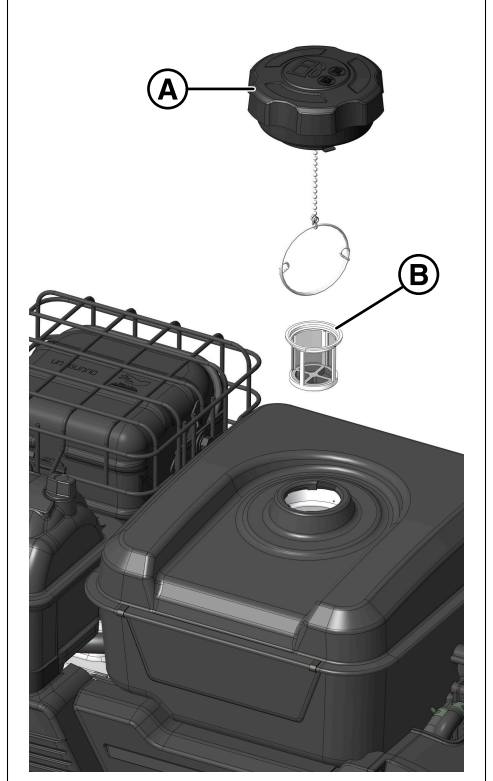
15



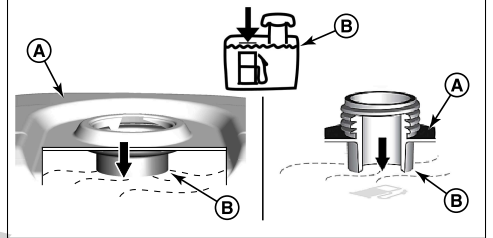
16



17



18



General Information



This manual contains the safety information about the hazards and risks related to the engine and how to prevent them. It also contains the correct operation and maintenance of this engine. It is important that you read, understand, and obey these instructions. **Keep this manual for future reference.**

NOTE: The figures and illustrations in this manual are for information only and can be different from your model. Use the figures that align with your engine configuration. If it is necessary, speak to an Authorized Service Dealer.

Record the date of purchase, engine model, type, trim, and the engine serial number for replacement parts. These numbers are on your engine. Refer to the **Features and Controls** section.

Date of Purchase	
Engine Model - Type - Trim	
Engine Serial Number	

European Office Contact Information

For questions related to European emissions, contact our European office at:

Max-Born-Straße 2, 68519 Viernheim, Germany.

European Union (EU) Stage V (5): Carbon Dioxide (CO₂) Values

Enter CO₂ in the search window on BriggsandStratton.com to find carbon dioxide values of Briggs & Stratton EU Type-Approval Certificate engines.

Operator Safety

Safety Alert Symbol and Signal Words



The safety alert symbol identifies safety information about hazards that could result in personal injury. A signal word (**DANGER**, **WARNING**, or **CAUTION**) is used to indicate the likelihood and the potential severity of injury. In addition, a hazard symbol is used to represent the type of hazard.

DANGER indicates a hazard which, if not avoided, **will** result in death or serious injury.

WARNING indicates a hazard which, if not avoided, **could** result in death or serious injury.

CAUTION indicates a hazard which, if not avoided, **could** result in minor or moderate injury.

NOTICE indicates information considered important but not hazard-related.

Hazard Symbols and Meanings

Safety information about hazards that can result in personal injury.	Read and understand the Operator's Manual before operating or servicing the unit.
Fire Hazard	Explosion Hazard
Shock Hazard	Toxic Fume Hazard
Hot Surface Hazard	Kickback Hazard
Amputation Hazard - Moving Parts	Fuel Level - Maximum Do Not Overfill

Safety Messages



WARNING

Briggs & Stratton® Engines are not designed for and are not to be used to power: fun-karts; go-karts; children's, recreational, or sport all-terrain vehicles (ATVs); motorbikes; hovercraft; aircraft products; or vehicles used in competitive events not sanctioned by Briggs & Stratton. For information about competitive racing products, see www.briggsracing.com. For use with utility and side-by-side ATVs, please contact Briggs & Stratton Power Application Center, 1-866-927-3349. Incorrect engine use could result in serious injury or death.

Recycling Information

		Recycle all cartons, boxes, used oil, and batteries as specified by government regulations.
--	--	---

Features and Controls

Engine Controls

Compare the callout letters in Figures 1, 2 and 3 to the engine controls¹ in the list that follows:

- A. Engine Identification Numbers **Model - Type - Trim**
- B. Fuel Tank and Cap
- C. Air Filter, High Mount
- D. Air Filter, Low Mount
- E. Starter Cord Handle
- F. Oil Dipstick, Upper
- G. Oil Dipstick, Lower (if installed)
- H. Oil Fill
- I. Oil Drain Plug
- J. Muffler, Muffler Guard (if installed), Spark Arrester (if installed)
- K. Electronic Throttle Control (if installed)
- L. Check Engine Light (if installed)
- M. Blower Housing Cover
- N. Key Switch (if installed)

¹Some engines and equipment have remote controls. Refer to the equipment manual for location and operation of remote controls.

Engine Control Symbols and Meanings

Engine Speed - FAST	Engine Speed - SLOW
Engine - STOP	Engine - START
Engine - ON	

Operation



WARNING
Fuel vapors are flammable and explosive. Fire or explosion could result in burns or death.

If you smell gas

- Do not start the engine.
- Do not switch on electrical switches.
- Do not use a phone in the vicinity.
- Evacuate the area.
- Contact the fire department.

When you operate the equipment

- Do not tilt the engine or the equipment at an angle which causes fuel to spill.

When you move the location of the equipment

- Make sure that the fuel tank is EMPTY or that the fuel shut-off valve, if installed, is in the CLOSED position.

Check the Oil Level

Before you check or add oil

- Make sure that the engine is level.
- Clean the oil area of unwanted material.
- Refer to the **Specifications** section for oil capacity.

NOTICE

This engine was shipped from Briggs & Stratton without oil. Equipment manufacturers or dealers could have added oil to the engine. Before you start the engine for the first time, make sure that the oil is at the correct level. Add oil as specified by the instructions in this manual. If you start the engine without oil, damage will occur and the engine will not be repaired under warranty.

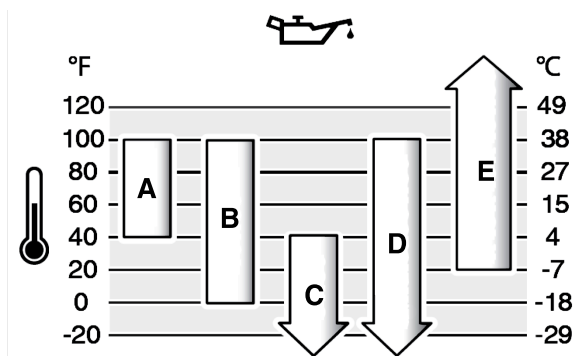
1. Remove the dipstick (A, B, C, Figure 4). Use a cloth to remove oil from the dipstick (A, B, C).
2. Install the dipstick (A, B, C, Figure 4).
 - a. Low Mount Dipstick, if installed (B, Figure 4): Make sure that the oil fill marks on the dipstick (B) point to the top of the engine.
 - b. Short Dipstick or Dipstick Fill Plug, if installed (C, Figure 4): Turn and tighten the dipstick (C).
3. Remove the dipstick again (A, B, C, Figure 4).
4. Check the oil level. Make sure that the oil level is at the top of the full indicator (D, Figure 4).
5. If the oil level is low, slowly add oil into one of the engine oil fills (E, F, Figure 5). Do not add too much oil.
6. Wait one minute. Check the oil level again. Make sure that the oil level is correct.
7. Install the dipstick (A, B, C, Figure 4).

Oil Recommendations

Oil Capacity: Refer to the **Specifications** section.

We recommend the use of Briggs & Stratton® Warranty Certified oils for best performance. Other high-quality detergent oils are permitted if classified for service SF, SG, SH, SJ or higher. Do not use special additives.

Use the chart to select the best viscosity for the outdoor temperature range expected. Engines on most outdoor power equipment operate good with 5W-30 Synthetic oil. For equipment operated in hot temperatures, Vanguard® 15W-50 Synthetic oil gives the best protection.



B	10W-30 - Above 80 °F (27 °C) the use of 10W-30 may cause increased oil consumption. Check the oil level frequently.
C	5W-30
D	Synthetic 5W-30
E	Vanguard® Synthetic 15W-50

Low Oil Protection System (if installed)

A low oil sensor is installed on some engines. If the oil is low, the sensor will show a warning light or stop the engine. Stop the engine and do the steps that follow before you start the engine.

- Make sure that the engine is level.
- Do an oil check. Refer to the **Check Oil Level** section.
- If the oil level is low, add the correct amount of oil. Start the engine and make sure that the warning light (if installed) does not come on.
- If the oil level is not low, do not start the engine. Contact a Briggs & Stratton Authorized Service Dealer to correct the oil problem.

Fuel Recommendations

Fuel must meet these requirements:

- Clean, fresh, unleaded gasoline.
- A minimum of 87 octane/87 AKI (91 RON). High altitude use, see below.
- Gasoline with up to 10% ethanol (gasohol) is permitted.

NOTICE

Do not use unapproved gasoline, such as E15 and E85. Do not mix oil in gasoline or change the engine to operate on alternate fuels. Use of unapproved fuels could result in damage to engine components, which will not be repaired under the warranty.

To protect the fuel system from gum formation, and corrosion, mix an alcohol-free fuel stabilizer and ethanol treatment into the fuel. Refer to the **Storage** section. All fuel is not the same. If start or performance problems occur, change fuel providers or brands. This engine is certified to operate on gasoline. The emissions control system for carbureted engines is EM (Engine Modifications). The emissions control systems for engines with electronic fuel injection are ECM (Engine Control Module), MFI (Multiport Fuel Injection), TBI (Throttle Body Fuel Injection) and if equipped an O2S (Oxygen Sensor).

High Altitude

At altitudes over 5,000 feet (1524 meters), a minimum 85 octane/85 AKI (89 RON) gasoline is permitted.

For carbureted engines, high altitude adjustment is required to maintain performance. Operation without this adjustment will cause decreased performance, increased fuel consumption, and increased emissions. Contact a Briggs & Stratton Authorized Service Dealer for high altitude adjustment information. Operation of the engine at altitudes below 2,500 feet (762 meters) with the high altitude adjustment is not recommended.

For Electronic Fuel Injection (EFI) engines, no high altitude adjustment is necessary.

Add Fuel



WARNING
Fuel and its vapors are flammable and explosive. Fire or explosion could result in burns or death.

When you add fuel

- Stop the engine. Before you remove the fuel cap, wait a minimum of two (2) minutes to make sure that the engine is cool.
- Fill the fuel tank outdoors or in an area that has good airflow.
- Do not put too much fuel in the tank. For expansion of the fuel, do not fill above the bottom of the fuel tank neck.
- Keep fuel away from sparks, open flames, pilot lights, heat, and other ignition sources.
- Frequently examine the fuel lines, fuel tank, fuel cap, and connections for cracks or leaks. Replace damaged parts.
- If fuel spills, wait until it dries before you start the engine.

1. Clean the fuel cap area of dirt and debris. Remove the fuel cap.
2. Fill the fuel tank (A, Figure 6) with fuel. Because fuel will expand, do not fill above the bottom of the fuel tank neck (B).
3. Install the fuel cap.

A SAE 30 - Below 40 °F (4 °C) the use of SAE 30 will result in hard starting.

Start the Engine



WARNING

POISONOUS GAS HAZARD. Engine exhaust contains carbon monoxide, a poisonous gas that could kill you in minutes. Although you do not smell exhaust fumes, you could still be exposed to dangerous carbon monoxide gas. If you feel sick, dizzy, or weak while you use this product, get to fresh air RIGHT AWAY. See a doctor. You may have carbon monoxide poisoning.

- Carbon monoxide gas can collect in occupied spaces. To reduce the risk of carbon monoxide gas, ONLY operate this product outdoors and far away from windows, doors and vents.
- Install battery-operated carbon monoxide alarms or plug-in carbon monoxide alarms with battery back-up as specified by the manufacturer's instructions. Smoke alarms cannot sense carbon monoxide gas.
- DO NOT operate this product in homes, garages, basements, crawlspaces, sheds, or other closed spaces, even if you use fans or open doors and windows for ventilation. After the operation of this product, carbon monoxide can quickly collect in these spaces and stay for hours.
- ALWAYS put this product downwind and point the engine exhaust away from occupied spaces.



WARNING

Fuel and its vapors are flammable and explosive. Fire or explosion could result in burns or death.

When you start the engine

- Make sure that the spark plug, muffler, fuel cap and air cleaner (if equipped) are correctly installed.
- Do not crank the engine with the spark plug removed.
- If the engine is flooded, set the choke (if equipped) to the OPEN or RUN position. Move the throttle (if equipped) to the FAST position and crank until the engine starts.
- If there is natural or LP gas leakage in the area, do not start the engine.
- Because vapors are flammable, do not use pressurized starter fluids.



WARNING

Rotating parts can entangle hands, feet, hair, clothing, or accessories and result in traumatic amputation or laceration.

- Operate equipment with the guards correctly installed.
- Keep hands and feet away from rotating parts.
- Remove jewelry and make sure that long hair is away from all rotating parts.
- Do not wear loose clothes or items that could become caught.



WARNING

Fast retraction of the starter cord (kickback) will pull your hand and arm to the engine faster than you can let go. Broken bones, fractures, bruises or sprains could result.

- To prevent kickback when you start the engine, pull the starter cord slowly until resistance is felt and then pull quickly.
- Before you start the engine, disconnect or remove all external equipment and engine loads.
- Make sure that direct-coupled equipment components, such as, but not limited to, blades, impellers, pulleys, and sprockets, are correctly attached.

NOTE: Your equipment can have remote controls. Refer to the equipment manual for location and operation of remote controls.

Electric Start

1. Check the oil level. Refer to the **Check the Oil Level** section.
2. Disengage the equipment drive controls, if installed.
3. Move the fuel shut-off, if installed, to the OPEN position.
4. Turn the key switch (A, Figure 7) to the START position.

NOTICE When you release the key switch (A, Figure 7), the key will move to the ON position. The engine will continue to crank unless the engine starts. To abort the crank sequence turn key switch (A) to the OFF position. If the engine does not start, do the steps that follow.

5. Make sure that the key switch (A, Figure 7) is set to the OFF position. Wait for two seconds.
6. Turn the key switch (A, Figure 7) to the START position.

7. If the engine does not start, abort the crank sequence and speak to a Briggs & Stratton Authorized Service Dealer.

Rewind Start

NOTICE Electric Start is the recommended method to start your engine.

1. Check the engine oil level. Refer to the **Check the Oil Level** section.
2. Disengage the equipment drive controls, if installed.
3. Make sure that the engine is connected to a charged 12 volt battery.
4. Move the fuel shut-off, if installed, to the OPEN position.
5. Turn the key switch (A, Figure 8) to the ON position. Then, pull the starter cord handle (B).

Stop the Engine

1. Turn the key switch (A, Figure 7) to the OFF position.
2. Remove the key. Keep it in a safe location away from children.
3. After the engine stops, move the fuel shut-off, if installed, to the CLOSED position.

Check Engine Light

The check engine light (B, Figure 7) signals of a problem with the engine. If the check engine light is ON during engine operation, speak to a Briggs & Stratton Authorized Service Dealer to correct the problem as soon as possible or when your work is done. If the check engine light is ON and the engine has automatically stopped, do the steps that follow:

1. Make sure that the engine is level.
2. Do an oil check. Refer to the **Check Oil Level** section.
3. Start the engine. Refer to the **Start the Engine** section.
4. If the check engine light stays ON and the engine continues to automatically stop, do not use the engine. Speak to a Briggs & Stratton Authorized Service Dealer immediately to correct the problem.

Maintenance

Maintenance Information

WARNING

Fuel and its vapors are flammable and explosive. Fire or explosion could result in burns or death.

During maintenance if it is necessary to tilt the unit, make sure that the fuel tank, if mounted on the engine, is empty and that the spark plug side is up. If the fuel tank is not empty, leakage can occur and could result in a fire or an explosion. If the engine is tilted in a different direction, it will not easily start because of oil or fuel contamination of the air filter or the spark plug.

WARNING

Accidental engine spark can cause an electric shock, fire or explosion and could result in entanglement, traumatic amputation or laceration.

Before you make adjustments or repairs:

- Disconnect all spark plug wires and keep them away from the spark plugs.
- Disconnect the battery wire from the negative battery terminal (only engines with electric start).
- Use only the correct tools.

When you check for spark:

- Use an approved spark plug tester.
- Do not check for spark with the spark plug removed.



WARNING

Replacement parts must be of the same design and installed in the same position as the original parts. Other parts could result in damage or an injury.

NOTICE

All the components used to build this engine must remain in place for correct operation.

See a Briggs & Stratton Authorized Service Dealer for all maintenance and servicing of the engine and engine parts.

Emissions Control Service

For maintenance, replacement, or repair of emissions control devices and systems, contact a qualified off-road engine repair establishment or service technician. However, for "no charge" emissions control service, the work must be done by a factory authorized dealer. Refer to the Emissions Control Statements.

Maintenance Schedule

First 5 Hours
<ul style="list-style-type: none">Change the oil.
Intervals of 8 Hours or Daily
<ul style="list-style-type: none">Check the engine oil level.Clean the area around the muffler.Clean the air intake grille.
Intervals of 100 Hours or Annually
<ul style="list-style-type: none">Service the exhaust system.
Intervals of 200 Hours or Annually
<ul style="list-style-type: none">Change the engine oil.Clean the air filter¹
Intervals of 600 Hours or 2 Years
<ul style="list-style-type: none">Replace the air filter.Replace the fuel filter¹
Annually
<ul style="list-style-type: none">Replace the spark plug.Service the fuel system.Service the cooling system¹.Check the valve clearance².

¹Clean more frequently in dusty conditions or when many particles are in the air..

²Not necessary unless engine problems occur.

Electronic Fuel Injection (EFI) System

The EFI System monitors engine temperature, engine speed, and battery voltage for engine start-up and warm-up. There are no adjustments on the system. If start-up or operation problems occur, contact a Briggs & Stratton Authorized Service Dealer.

NOTICE Make sure to obey the steps that follow or damage to the EFI system could occur.

- DO NOT start the engine if the battery cables are loose.
- Turn the key to the OFF position before you disconnect, remove, and / or install the battery.
- DO NOT use a battery charger to start the engine.
- DO NOT disconnect the battery cables during engine operation.
- When you disconnect the battery cables, first connect the positive (+) cable, and then connect the negative (-) cable to the battery.
- When you charge the battery, turn the ignition switch to the OFF position, and disconnect the negative (-) battery cable from the battery.
- DO NOT spray water directly on the Electronic Control Module.

Servicing the Spark Plug

Check the spark plug gap (A, Figure 9) with a wire gauge (B). If necessary, set the spark plug gap. Install and tighten the spark plug to the correct torque. For gap and torque specifications, refer to the **Specifications** section.

To get access to the spark plug, make sure that the engine is set to the OFF position. Disconnect the spark plug wire (D, Figure 10), and keep it away from the spark plug (E).

On some EFI-ETC Models, you must remove the heat shield to get access to the spark plug. Use the steps that follow to get access to the spark plug.

- Unlock the red tab (A, Figure 11) from the connector (B)
- Push the black tab (C, Figure 11) while you pull the connector (B) out of the ignition coil (D).
- Remove the debris valve (E, Figure 11).
- Remove the top screw (F, Figure 11) and the side screw (G) from the bracket (H).
- Remove the heat shield (H, Figure 11).
- Remove the ignition coil (D, Figure 11).
- Replace the spark plug (I, Figure 12).
- Install the ignition coil (D, Figure 11).
- Install the bracket (H, Figure 11).
- Install the top screw (F, Figure 11) and side screw (G) in the bracket (H).

- Install the debris valve (E, Figure 11).
- Install the connector (B, Figure 11) into the ignition coil (D).
- Lock the red tab (A, Figure 11).

Servicing the Exhaust and Cooling Systems



WARNING During operation, the engine and muffler become hot. If you touch a hot engine, thermal burns can occur.

Combustible materials, such as leaves, grass and brush, can catch fire.

- Before you touch the engine or muffler, stop the engine and wait two (2) minutes. Make sure that the engine and muffler are safe to touch.
- Remove debris from the muffler and engine.

It is a violation of California Public Resource Code, Section 4442, to use or operate the engine on any forest-covered, brush-covered, or grass-covered land unless the exhaust system is equipped with a spark arrester, as defined in section 4442, maintained in effective working order. Other states or federal jurisdictions may have similar laws; reference Federal Regulation 36 CFR Part 261.52. Contact the original equipment manufacturer, retailer, or dealer to obtain a spark arrester designed for the exhaust system installed on this engine.

This is an air cooled engine. Dirt or unwanted material can prevent air flow and cause the engine to become too hot. This results in unsatisfactory performance and decreases the life of the engine. The cylinder cooling fins can collect unwanted material that cannot be removed without partial disassembly of the engine. Make sure that a Briggs & Stratton Authorized Service Dealer examines and cleans the air cooling system. Refer to the **Maintenance Schedule**.

- Make sure that no combustible materials are around and behind the muffler.
- Use a brush or dry cloth to remove all unwanted material from the blower housing cover, muffler and cylinder area. DO NOT use water to clean the engine.
- Make sure that the linkage, springs, and controls are clean.
- Examine the muffler for cracks, corrosion, or other damage.
- Remove the deflector or the spark arrester, if installed, and examine for damage or carbon blockage. Make sure that you clean or install the replacement parts before you operate the equipment.
- If Installed, make sure that the oil cooler fins are clean.

Change Engine Oil



WARNING Fuel and its vapors are flammable and explosive. Fire or explosion could result in burns or death.

During operation, the engine and muffler become hot. If you touch a hot engine, thermal burns can occur.

- If you drain the oil from the top oil fill tube, the fuel tank must be empty. If it is not empty, fuel leakage can occur and cause a fire or an explosion.
- Before you touch the engine or muffler, stop the engine and wait two (2) minutes. Make sure that the engine and muffler are safe to touch.

Used oil is a hazardous waste product and must be discarded of correctly. Do not discard with household waste. Contact your local authorities, service center, or dealer for safe disposal or recycling facilities.

Remove Oil

- With the engine OFF but warm, disconnect the spark plug wire (D, Figure 10), and keep it away from the spark plug (E). For engine models that have a heat shield (Figure 11), disconnect the spark wire as follows:
 - Unlock the red tab (A, Figure 11) from the connector (B).
 - Push the black tab (C, Figure 11) while you pull the connector (B) out of the coil (D)
- Remove the dipstick (A, B, C, Figure 4).
- Remove one of the oil drain plugs (F, G, Figure 13). Drain the oil into an approved container.
- Install and tighten the oil drain plug (F, G, Figure 13).

Add Oil

- Make sure that the engine is level.
- Clean the oil fill area of all unwanted material.
- Refer to the **Specifications** section for oil capacity.

- Remove the dipstick (A, B, C, Figure 4).
- Slowly add oil into one of the engine oil fills (E, F, Figure 5). Do not add too much oil.

3. Install the dipstick (A, B, C, Figure 4).
 - a. Extended Dipstick, if installed (B, Figure 4): Make sure that the oil fill marks on the dipstick (B) point to the top of the engine.
 - b. Short Dipstick or Dipstick Fill Plug, if installed (C, Figure 4): Turn and tighten the dipstick (C).
4. Remove the dipstick (A, B, C, Figure 4) again.
5. Check the oil level. Make sure that the correct oil level is at the top of the full indicator (D, Figure 4).
6. Install the dipstick again (A, B, C, Figure 4).
7. Connect the spark plug wire (D, 10) to the spark plug (E). For engine models that have a heat shield (Figure 11) connect the spark plug wire as follows:
 - a. Install the connector (B, Figure 11).
 - b. Lock the red tab (A, Figure 11).

Servicing the Air Filter

WARNING

Fuel vapors are flammable and explosive. Fire or explosion could result in burns or death.

- Do not start and operate the engine with the air cleaner assembly (if equipped) or the air filter (if equipped) removed.

NOTICE

Do not use pressurized air or solvents to clean the filter. Pressurized air could result in damage to the filter and solvents will dissolve the filter.

See the **Maintenance Schedule** for servicing requirements.

Different models will use a foam or a paper filter. Some models could also have an optional pre-cleaner that can be cleaned and used again. Compare the illustrations in this manual with the type installed on your engine and service as follows.

Paper Air Filter

1. Loosen the fastener(s) (C, Figure 14).
2. Remove the cover (A, Figure 14) and the filter (B).
3. To loosen debris, lightly tap the filter (B, Figure 14) on a hard surface. If the filter is dirty, replace it with a new filter.
4. Install the filter (B, Figure 14).
5. Install the cover (A, Figure 14) with the fastener(s) (C). Make sure that the fastener(s) is tight.

Paper Air Filter - Low Profile

1. Move the latch (A, Figure 15) to unlock the cover (C).
2. Push in the tabs (B, Figure 15) and remove the cover (C).
3. Remove the filter (D, Figure 15).
4. To loosen debris, lightly tap the filter (D, Figure 15) on a hard surface. If the filter is dirty, replace it with a new filter.
5. Install the filter (D, Figure 15).
6. Install the cover (C, Figure 15). Move the latch (A) to the locked position.

NOTE: Check the fit of the foam seal (E, Figure 15). Make sure that the perimeter foam seal is correctly seated in the channel (F).

Servicing the Fuel System

WARNING

Fuel and its vapors are flammable and explosive. Fire or explosion could result in burns or death.

- Keep fuel away from sparks, open flames, pilot lights, heat, and other ignition sources.
- Frequently examine the fuel lines, fuel tank, fuel cap, and connections for cracks or leaks. Replace damaged parts.
- If fuel spills, wait until it dries before you start the engine.

Fuel Filter, if installed

1. Before you replace the fuel filter (A, Figure 16), drain the fuel tank or close the fuel shut-off valve. If the fuel tank is not drained, fuel leakage can occur and cause a fire or explosion.
2. Squeeze the tabs (B, Figure 16) on the clamps (C) with pliers. Move the clamps away from the fuel filter (A).
3. Twist and pull the fuel lines (D, Figure 16) off of the fuel filter.

4. Examine the fuel lines (D, Figure 16) for cracks or leaks. If it is necessary, replace the fuel lines.
5. Replace the fuel filter (A, Figure 16).
6. Attach the fuel lines (D, Figure 16) with clamps (C).

Fuel Strainer, if installed

1. Remove the fuel cap (A, Figure 17).
2. Remove the fuel strainer (B, Figure 17).
3. If the fuel strainer is dirty, clean or replace it. If you replace the fuel strainer, make sure to use an original equipment replacement fuel strainer.

Storage Fuel System

Refer to Figure: 18.

WARNING

Fuel and its vapors are flammable and explosive. Fire or explosion could result in burns or death.

Fuel Storage

- Because pilot lights or other ignition sources can cause explosions, keep fuel or equipment away from furnaces, stoves, water heaters or other appliances that have pilot lights.

Keep the engine level at the correct operating position. Fill the fuel tank (A, Figure 18) with fuel. For fuel expansion, do not fill above the fuel tank neck (B).

Fuel can become stale when kept in a storage container for more than 30 days. An alcohol-free fuel stabilizer and ethanol treatment in the fuel storage container is recommended. This keeps fuel fresh and decreases fuel-related problems or contamination in the fuel system.

When you fill the container with fuel, add an alcohol-free fuel stabilizer to the specified instructions. If gasoline in the engine has not been treated with a fuel stabilizer, it must be drained into an approved container. Operate the engine until it is out of fuel.

Engine Oil

While the engine is still warm, change the engine oil. Refer to **Change the Engine Oil** section.

Troubleshooting Assistance

For assistance, contact your local dealer or go to BRIGGSandSTRATTON.COM or call **1-800-444-7774** (in USA).

Specifications and Service Parts

Model: 25E300	
Displacement	24.898 ci (408 cc)
Bore	3.465 in (88 mm)
Stroke	2.638 in (67 mm)
Oil Capacity	28-32 oz (.82 - .95 L)
Spark Plug Gap	.030 in (.76 mm)
Spark Plug Torque	170 lb-in (19,2 Nm)
Speed Sensor Air Gap	.010 - .015 in (.254 - .381 mm)
Intake Valve Clearance	.004 - .006 in (.10 - .15 mm)
Exhaust Valve Clearance	.006 - .008 in (.15 - .20 mm)

Engine power will decrease 3.5% for each 1,000 feet (300 meters) above sea level and 1% for each 10 °F (5.6 °C) above 77 °F (25 °C). The engine will operate satisfactorily at an angle up to 30°. Refer to the equipment Operator's Manual for safe allowable operating limits on slopes.

Service Parts

To purchase Briggs & Stratton service parts, find an Authorized Service Dealer at BRIGGSandSTRATTON.COM. You will need your identification number (model - type - trim). Refer to the **Features and Controls** section to find your engine identification number.

Power Ratings

The gross power rating for individual gasoline engine models is labeled in accordance with SAE (Society of Automotive Engineers) code J1940 Small Engine Power & Torque Rating Procedure, and is rated in accordance with SAE J1995. Torque values are

derived at 2600 RPM for those engines with "rpm" called out on the label and 3060 RPM for all others; horsepower values are derived at 3600 RPM. The gross power curves can be viewed at www.BRIGGSandSTRATTON.COM. Net power values are taken with exhaust and air cleaner installed whereas gross power values are collected without these attachments. Actual gross engine power will be higher than net engine power and is affected by, among other things, ambient operating conditions and engine-to-engine variability. Given the wide array of products on which engines are placed, the gasoline engine may not develop the rated gross power when used in a given piece of power equipment. This difference is due to a variety of factors including, but not limited to, the variety of engine components (air cleaner, exhaust, charging, cooling, carburetor, fuel pump, etc.), application limitations, ambient operating conditions (temperature, humidity, altitude), and engine-to-engine variability. Due to manufacturing and capacity limitations, Briggs & Stratton may substitute an engine of higher rated power for this engine.

Warranty

Briggs & Stratton® Engine Warranty

Effective August 2022

Limited Warranty

Briggs & Stratton warrants that, during the warranty period specified below, it will repair or replace, free of charge, with a new, reconditioned or re-manufactured part, at the sole discretion of Briggs & Stratton, any part that is defective in material or workmanship or both. Transportation charges on product submitted for repair or replacement under this warranty must be borne by purchaser. This warranty is effective for and is subject to the time periods and conditions stated below. For warranty service, find the nearest Authorized Service Dealer in our dealer locator map at BRIGGSandSTRATTON.COM. The purchaser must contact the Authorized Service Dealer, and then make the product available to the Authorized Service Dealer for inspection and testing.

There is no other express warranty. Implied warranties, including those of merchantability and fitness for a particular purpose, are limited to one year from purchase, or to the extent permitted by law. All other implied warranties are excluded. Liability for incidental or consequential damages are excluded to the extent exclusion is permitted by law. Some states or countries do not allow limitations on how long an implied warranty lasts, and some states or countries do not allow the exclusion or limitation of incidental or consequential damages, so the above limitation and exclusion may not apply to you. This warranty gives you specific legal rights and you may also have other rights which vary from state to state and country to country.

Standard Warranty Terms ^{1, 2}
Vanguard®; Commercial Series
Consumer Use - 36 months
Commercial Use - 36 months
XR Series
Consumer Use - 24 months
Commercial Use - 24 months
All Other Engines Featuring Dura-Bore™ Cast Iron Sleeve
Consumer Use - 24 months
Commercial Use - 12 months
All Other Engines
Consumer Use - 24 months
Commercial Use - 3 months

¹These are our standard warranty terms, but occasionally there may be additional warranty coverage that was not determined at time of publication. For a listing of current warranty terms for your engine, go to BRIGGSandSTRATTON.COM or contact your Briggs & Stratton Authorized Service Dealer.

²There is no warranty for engines on equipment used for prime power in place of a utility; standby generators used for commercial purposes, utility vehicles exceeding 25 MPH, or engines used in competitive racing or on commercial or rental tracks.

* In Australia - Our goods come with guarantees that cannot be excluded under the Australian Consumer Law. You are entitled to a replacement or refund for a major failure and for compensation for any other reasonably foreseeable loss or damage. You are also entitled to have the goods repaired or replaced if the goods fail to be of acceptable quality and the failure does not amount to a major failure. For warranty service, find the nearest Authorized Service Dealer in our dealer locator map at BRIGGSandSTRATTON.COM, or by calling 1300 274 447, or by emailing or writing to salesenquiries@briggsandstratton.com.au, Briggs & Stratton Australia Pty Ltd, 1 Moorebank Avenue, Moorebank, NSW, Australia, 2170.

The warranty period begins on the date of purchase by the first retail consumer or commercial end user, and continues for the period of time stated in the table above. "Consumer use" means personal residential household use by a retail consumer. "Commercial use" means all other uses, including use for commercial, income producing or rental purposes. Once an engine has experienced commercial use,

it shall thereafter be considered as a commercial use engine for purposes of this warranty.

No warranty registration is necessary to obtain warranty on Briggs & Stratton products. Save your proof of purchase receipt. If you do not provide proof of the initial purchase date at the time warranty service is requested, the manufacturing date of the product will be used to determine the warranty period.

About Your Warranty

This limited warranty covers engine-related material and/or workmanship issues only, and not replacement or refund of the equipment to which the engine may be mounted. Routine maintenance, tune-ups, adjustments, or normal wear and tear are not covered under this warranty. Similarly, warranty is not applicable if the engine has been altered or modified or if the engine serial number has been defaced or removed. This warranty does not cover engine damage or performance problems caused by:

1. The use of parts that are not original Briggs & Stratton parts;
2. Operating the engine with insufficient, contaminated, or an incorrect grade of lubricating oil;
3. The use of contaminated or stale fuel, gasoline formulated with ethanol greater than 10%, or the use of alternative fuels such as liquefied petroleum or natural gas on engines not originally designed/manufactured by Briggs & Stratton to operate on such fuels;
4. Dirt which entered the engine because of improper air cleaner maintenance or reassembly;
5. Striking an object with the cutter blade of a rotary lawn mower, loose or improperly installed blade adapters, impellers, or other crankshaft coupled devices, or excessive v-belt tightness;
6. Associated parts or assemblies such as clutches, transmissions, equipment controls, etc., which are not supplied by Briggs & Stratton;
7. Overheating due to grass clippings, dirt and debris, or rodent nests which plug or clog the cooling fins or flywheel area, or by operating the engine without sufficient ventilation;
8. Excessive vibration due to over-speeding, loose engine mounting, loose or unbalanced cutter blades or impellers, or improper coupling of equipment components to the crankshaft;
9. Misuse, lack of routine maintenance, shipping, handling, or warehousing of equipment, or improper engine installation.

Warranty service is available only through Briggs & Stratton Authorized Service Dealers. Locate your nearest Authorized Service Dealer in our dealer locator map at BRIGGSandSTRATTON.COM or by calling 1-800-444-7774 (in USA).

80114782 (Revision A)

Briggs & Stratton Emissions Warranty

California, U.S. EPA, and Briggs & Stratton, LLC Emissions Control Warranty - Your Warranty Rights and Obligations For Briggs & Stratton Engine Models with "F" Trim Designation (Model-Type-Trim Representation xxxxxx xxxx Fx)

The California Air Resources Board, U.S. EPA, and Briggs & Stratton (B&S) are pleased to explain the exhaust and evaporative emissions ("emissions") control system warranty on your 2022-2024 engine. In California, new equipment that use small off-road engines must be designed, built, and equipped to meet the State's stringent anti-smog standards. B&S must warrant the emissions control system on your engine/equipment for the periods of time listed below provided there has been no abuse, neglect or improper maintenance of your small off-road engine or equipment leading to the failure of the emissions control system.

Your emissions control system may include parts such as the carburetor or fuel-injection system, the ignition system, catalytic converter, fuel tanks, fuel lines (for liquid fuel and fuel vapors), fuel caps, valves, canisters, filters, clamps and other associated components. Also included may be hoses, belts, connectors, and other emission-related assemblies.

Where a warrantable condition exists, B&S will repair your engine/equipment at no cost to you including diagnosis, parts, and labor.

Manufacturer's Warranty Coverage:

The exhaust and evaporative emissions control system on your engine/equipment is warranted for two years. If any evaporative emission-related part on your engine/equipment is defective, the part will be repaired or replaced by B&S.

Owner's Warranty Responsibilities:

- As the engine/equipment owner, you are responsible for the performance of the required maintenance listed in your owner's manual. B&S recommends that you retain all receipts covering maintenance on your engine, but B&S cannot deny warranty coverage solely for the lack of receipts or for your failure to ensure the performance of all scheduled maintenance.
- As the engine/equipment owner, you should however be aware that B&S may deny you warranty coverage if your engine/equipment or a part has failed due to abuse, neglect, or improper maintenance or unapproved modifications.

- You are responsible for presenting your engine/equipment to a B&S distribution center or service center as soon as the problem exists. The warranty repairs shall be completed in a reasonable amount of time, not to exceed 30 days. If you have a question regarding your warranty rights and responsibilities, you should contact B&S at 1-800-444-7774 (in USA) or BRIGGSandSTRATTON.COM.

Briggs & Stratton Emissions Control Warranty Provisions

The following are specific provisions relative to your Emissions Control Warranty Coverage. It is in addition to the B&S engine warranty for non-regulated engines found in the Operator's Manual.

1. Warranted Emissions Parts

Coverage under this warranty extends only to the parts listed below (the emissions control systems parts) to the extent these parts were present on the B&S engine and/or B&S supplied fuel system.

a. Fuel Metering System

- Cold start enrichment system (soft choke)
- Carburetor or fuel injection system
- Oxygen sensor
- Electronic control unit
- Fuel pump module
- Fuel line (for liquid fuel and fuel vapors), fuel line fittings, clamps
- Fuel tank, cap and tether
- Carbon canister and mounting bracket
- Pressure relief valves
- Liquid/Vapor separator

b. Air Induction System

- Air cleaner
- Intake manifold
- Purge and vent line

c. Ignition System

- Spark plug(s)
- Magneto ignition system

d. Catalyst System

- Catalytic converter
- Exhaust manifold
- Air injection system or pulse valve

e. Miscellaneous Items Used in Above Systems

- Vacuum, temperature, position, time sensitive valves and switches
- Connectors and assemblies
- Electronic controls

2. Length of Coverage

Coverage is for a period of two years from the date of delivery to an ultimate purchaser, or for the time period listed in the respective engine or product warranty statement, whichever is greater. B&S warrants to the original purchaser and each subsequent purchaser that the engine is designed, built, and equipped so as to conform with all applicable regulations adopted by the Air Resources Board; that it is free from defects in material and workmanship that could cause the failure of a warranted part; and that it is identical in all material respects to the engine described in the manufacturer's application for certification. The warranty period begins on the date the engine or equipment is delivered to an ultimate purchaser.

The warranty on emissions-related parts is as follows:

- Any warranted part that is not scheduled for replacement as required maintenance in the Operator's Manual supplied, is warranted for the warranty period stated above. If any such part fails during the period of warranty coverage, the part will be repaired or replaced by B&S at no charge to the owner. Any such part repaired or replaced under the warranty will be warranted for the remaining warranty period.
- Any warranted part that is scheduled only for regular inspection in the Operator's Manual supplied, is warranted for the warranty period stated above. Any such part repaired or replaced under warranty will be warranted for the remaining warranty period.
- Any warranted part that is scheduled for replacement as required maintenance in the Operator's Manual supplied, is warranted for the period of time prior to the first scheduled replacement point for that part. If the part fails prior to the first scheduled replacement, the part will be repaired or replaced by B&S at no charge to the owner. Any such part repaired or replaced under warranty will be warranted for the remainder of the period prior to the first scheduled replacement point for the part.
- Add-on or modified parts that are not exempted by the Air Resources Board may not be used. The use of any non-exempted add-on or modified parts by the owner will be grounds for disallowing a warranty claim. The manufacturer will not be liable to warrant failures of warranted parts caused by the use of a non-exempted add-on or modified part.

3. Consequential Coverage

Coverage shall extend to the failure of any engine components caused by the failure of any warranted emissions parts.

4. Claims and Coverage Exclusions

Warranty claims shall be filed according to the provisions of the B&S engine warranty policy. Warranty coverage does not apply to failures of emissions parts that are not original equipment B&S parts or to parts that fail due to abuse, neglect, or improper maintenance as set forth in the B&S engine warranty policy. B&S is not liable for warranty coverage of failures of emissions parts caused by the use of add-on or modified parts.

Look For Relevant Emissions Durability Period and Air Index Information On Your Small Off-Road Engine Emissions Label

Engines that are certified to meet the California Air Resources Board (CARB) small off-road Emissions Standard must display information regarding the Emissions Durability Period and the Air Index. Briggs & Stratton makes this information available to the consumer on our emissions labels. The engine emissions label will indicate certification information.

The **Emissions Durability Period** describes the number of hours of actual running time for which the engine is certified to be emissions compliant, assuming proper maintenance in accordance with the Operator's Manual. The following categories are used:

Moderate:

Engines at or less than 80 cc displacement are certified to be emissions compliant for 50 hours of actual engine running time. Engines greater than 80 cc displacement are certified to be emissions compliant for 125 hours of actual engine running time.

Intermediate:

Engines at or less than 80 cc displacement are certified to be emissions compliant for 125 hours of actual engine running time. Engines greater than 80 cc displacement are certified to be emissions compliant for 250 hours of actual engine running time.

Extended:

Engines at or less than 80 cc displacement are certified to be emissions compliant for 300 hours of actual engine running time. Engines greater than 80 cc displacement are certified to be emissions compliant for 500 hours of actual engine running time.

For example, a typical walk-behind lawn mower is used 20 to 25 hours per year. Therefore, the **Emissions Durability Period** of an engine with an **intermediate** rating would equate to 10 to 12 years.

Briggs & Stratton engines are certified to meet the United States Environmental Protection Agency (USEPA) Phase 2 or Phase 3 emissions standards. The Emissions Compliance Period referred to on the Emissions Compliance label indicates the number of operating hours for which the engine has been shown to meet Federal emissions requirements.

For engines at or less than 80 cc displacement:

Category C = 50 hours, Category B = 125 hours, Category A = 300 hours

For engines greater than 80 cc displacement and less than 225 cc displacement:

Category C = 125 hours, Category B = 250 hours, Category A = 500 hours

For engines of 225 cc or more displacement:

Category C = 250 hours, Category B = 500 hours, Category A = 1000 hours

80111491 (Revision A)

Briggs & Stratton Emissions Warranty

California, U.S. EPA, and Briggs & Stratton, LLC Emissions Control Warranty - Your Warranty Rights and Obligations

For Briggs & Stratton Engine Models with "B" or "G" Trim Designation (Model-Type-Trim Representation xxxxxx xxxx Bx or xxxxxx xxxx Gx)

The California Air Resources Board, U.S. EPA, and Briggs & Stratton (B&S) are pleased to explain the exhaust emissions ("emissions") control system warranty on your 2022-2024 engine. In California, new small off-road engines and large spark ignited engines less than or equal to 1.0 liter must be designed, built, and equipped to meet the State's stringent anti-smog standards. B&S must warrant the emissions control system on your engine for the periods of time listed below provided there has been no abuse, neglect or improper maintenance of your small off-road engine or equipment leading to the failure of the emissions control system.

Your emissions control system may include parts such as the carburetor or fuel-injection system, the ignition system, catalytic converter, fuel tanks, fuel lines (for liquid fuel and fuel vapors), fuel caps, valves, canisters, filters, clamps and other associated components. Also included may be hoses, belts, connectors, and other emission-related assemblies.

Where a warrantable condition exists, B&S will repair your engine at no cost to you including diagnosis, parts, and labor.

Manufacturer's Warranty Coverage:

The exhaust emissions control system on your engine is warranted for two years. If any emissions-related part on your engine is defective, the part will be repaired or replaced by B&S.

Owner's Warranty Responsibilities:

- As the engine owner, you are responsible for the performance of the required maintenance listed in your owner's manual. B&S recommends that you retain all receipts covering maintenance on your engine, but B&S cannot deny warranty coverage solely for the lack of receipts or for your failure to ensure the performance of all scheduled maintenance.
- As the engine owner, you should however be aware that B&S may deny you warranty coverage if your engine or a part has failed due to abuse, neglect, or improper maintenance or unapproved modifications.
- You are responsible for presenting your engine to a B&S distribution center or service center as soon as the problem exists. The warranty repairs shall be completed in a reasonable amount of time, not to exceed 30 days. If you have a question regarding your warranty rights and responsibilities, you should contact B&S at 1-800-444-7774 (in USA) or BRIGGSandSTRATTON.COM.

Briggs & Stratton Emissions Control Warranty Provisions

The following are specific provisions relative to your Emissions Control Warranty Coverage. It is in addition to the B&S engine warranty for non-regulated engines found in the Operator's Manual.

1. Warranted Emissions Parts

Coverage under this warranty extends only to the parts listed below (the emissions control systems parts) to the extent these parts were present on the B&S engine.

- Fuel Metering System**
 - Cold start enrichment system (soft choke)
 - Carburetor or fuel injection system
 - Oxygen sensor
 - Electronic control unit
 - Fuel pump module
- Air Induction System**
 - Air cleaner
 - Intake manifold
- Ignition System**
 - Spark plug(s)
 - Magneto ignition system
- Catalyst System**
 - Catalytic converter
 - Exhaust manifold

- Air injection system or pulse valve

e. Miscellaneous Items Used in Above Systems

- Vacuum, temperature, position, time sensitive valves and switches
- Connectors and assemblies
- Electronic controls

2. Length of Coverage

Coverage is for a period of two years from the date of delivery to an ultimate purchaser, or for the time period listed in the respective engine or product warranty statement, whichever is greater. B&S warrants to the original purchaser and each subsequent purchaser that the engine is designed, built, and equipped so as to conform with all applicable regulations adopted by the Air Resources Board; that it is free from defects in material and workmanship that could cause the failure of a warranted part; and that it is identical in all material respects to the engine described in the manufacturer's application for certification. The warranty period begins on the date the engine or equipment is delivered to an ultimate purchaser.

The warranty on emissions-related parts is as follows:

- Any warranted part that is not scheduled for replacement as required maintenance in the Operator's Manual supplied, is warranted for the warranty period stated above. If any such part fails during the period of warranty coverage, the part will be repaired or replaced by B&S at no charge to the owner. Any such part repaired or replaced under the warranty will be warranted for the remaining warranty period.
- Any warranted part that is scheduled only for regular inspection in the Operator's Manual supplied, is warranted for the warranty period stated above. Any such part repaired or replaced under warranty will be warranted for the remaining warranty period.
- Any warranted part that is scheduled for replacement as required maintenance in the Operator's Manual supplied, is warranted for the period of time prior to the first scheduled replacement point for that part. If the part fails prior to the first scheduled replacement, the part will be repaired or replaced by B&S at no charge to the owner. Any such part repaired or replaced under warranty will be warranted for the remainder of the period prior to the first scheduled replacement point for the part.
- Add-on or modified parts that are not exempted by the Air Resources Board may not be used. The use of any non-exempted add-on or modified parts by the owner will be grounds for disallowing a warranty claim. The manufacturer will not be liable to warrant failures of warranted parts caused by the use of a non-exempted add-on or modified part.

3. Consequential Coverage

Coverage shall extend to the failure of any engine components caused by the failure of any warranted emissions parts.

4. Claims and Coverage Exclusions

Warranty claims shall be filed according to the provisions of the B&S engine warranty policy. Warranty coverage does not apply to failures of emissions parts that are not original equipment B&S parts or to parts that fail due to abuse, neglect, or improper maintenance as set forth in the B&S engine warranty policy. B&S is not liable for warranty coverage of failures of emissions parts caused by the use of add-on or modified parts.

Look For Relevant Emissions Durability Period and Air Index Information On Your Small Off-Road Engine Emissions Label

Engines that are certified to meet the California Air Resources Board (CARB) small off-road Emissions Standard must display information regarding the Emissions Durability Period and the Air Index. Briggs & Stratton makes this information available to the consumer on our emissions labels. The engine emissions label will indicate certification information.

The **Emissions Durability Period** describes the number of hours of actual running time for which the engine is certified to be emissions compliant, assuming proper maintenance in accordance with the Operator's Manual. The following categories are used:

Moderate:

Engines at or less than 80 cc displacement are certified to be emissions compliant for 50 hours of actual engine running time. Engines greater than 80 cc displacement are certified to be emissions compliant for 125 hours of actual engine running time.

Intermediate:

Engines at or less than 80 cc displacement are certified to be emissions compliant for 125 hours of actual engine running time. Engines greater than 80 cc displacement are certified to be emissions compliant for 250 hours of actual engine running time.

Extended:

Engines at or less than 80 cc displacement are certified to be emissions compliant for 300 hours of actual engine running time. Engines greater than 80 cc displacement are certified to be emissions compliant for 500 hours of actual engine running time.

For example, a typical walk-behind lawn mower is used 20 to 25 hours per year. Therefore, the **Emissions Durability Period** of an engine with an **intermediate** rating would equate to 10 to 12 years.

Briggs & Stratton engines are certified to meet the United States Environmental Protection Agency (USEPA) Phase 2 or Phase 3 emissions standards. The Emissions Compliance Period referred to on the Emissions Compliance label indicates the number of operating hours for which the engine has been shown to meet Federal emissions requirements.

For engines at or less than 80 cc displacement:

Category C = 50 hours, Category B = 125 hours, Category A = 300 hours

For engines greater than 80 cc displacement and less than 225 cc displacement:

Category C = 125 hours, Category B = 250 hours, Category A = 500 hours

For engines of 225 cc or more displacement:

Category C = 250 hours, Category B = 500 hours, Category A = 1000 hours

80111486 (Revision A)

Not for reproduction

Generelle informationer



Denne vejledning indeholder sikkerhedsoplysninger om farer og risici i forbindelse med denne motor, og den forklarer dig, hvordan du forhindrer dem. Den indeholder ligeledes oplysninger om korrekt anvendelse og vedligeholdelse af denne motor. Det er vigtigt, at du læser, forstår og overholder disse instruktioner. **Gem denne manuel til senere brug.**

BEMÆRK: Figurerne og illustrationerne i denne vejledning er udelukkende en reference, og de kan være anderledes end din model. Brug de figurer, der passer til din motorkonfiguration. Kontakt en autoriseret serviceforhandler efter behov.

For at kunne få reservedele skal du registrere købsdatoen, motorens model, type og trim, og serienummeret. Disse numre er placeret på din motor. Se afsnittet **Funktioner og betjeningsanordninger**.

Købsdato	
Motormodel - Type - Trim	
Motorserienummer	

Kontaktoplysninger for europæisk kontor

For spørgsmål vedrørende europæisk emission bedes du kontakte vores europæiske kontor på:

Max-Born-Straße 2, 68519 Viernheim, Tyskland.

Europæiske Union (EU) Trin V (5): Kuldioxid-værdier (CO₂)

Indtast CO₂ i søgevinduet på BriggsandStratton.com for at finde kuldioxid-værdier for Briggs & Stratton EU-typegodkendelsescertifikat for motorer.

Førersikkerhed

Sikkerhedssymboler og signalord



Sikkerhedsadvarselssymbolet identificerer sikkerhedsoplysninger om farer, der kan medføre personskader. Et signalord (**FARE**, **ADVARSEL** eller **FORSIGTIG**) bliver brugt for at illustrere sandsynligheden for og den mulige grad af personskade. Desuden bruges et faresymbol til at illustrere faretypen.

FARE indikerer en fare, som, hvis den ikke undgås, vil forårsage dødsfald eller alvorlig personskade.

ADVARSEL indikerer en fare, som, hvis den ikke undgås, kan forårsage dødsfald eller alvorlig personskade.

FORSIGTIG indikerer en farlig situation, som, hvis den ikke undgås, kan medføre alvorlig eller moderat personskade.

BEMÆRK angiver oplysninger, der anses som vigtige, men som ikke vedrører farer.

Faresymboler og deres betydninger

Sikkerhedsinformation om farer, som kan resultere i personskade.	Læs og forstå brugervejledningen før brug af eller servicering af enheden.
Brandfare	Eksplosionsfare
Fare for stød	Fare for giftige dampe
Fare fra varm overflade	Fare for tilbageslag
Fare for amputation - Bevægelige dele	Brændstofniveau - Maks. Undgå at overfylde

Sikkerhedsmeddelelser



ADVARSEL

Briggs & Stratton®-motorer er ikke designet til og må ikke bruges til at drive: fun-karts; go-karts; terrængående børne-, fritids- eller sportskøretøjer (ATV'er); motorcykler, hovercraft; luftfartsprodukter eller køretøjer, der anvendes til konkurrenceformål, som ikke er sanktioneret af Briggs & Stratton. For yderligere oplysninger om racingprodukter se www.briggsracing.com. For brug med terrængående og side-by-side ATV'er kontakt Briggs & Stratton Power Application Center, 1-866-927-3349. Forkert motorbrug kan medføre alvorlig personskade eller dødsfald.

Information om genbrug

		Genbrug alle kartoner, æsker, brugt olie og batterier i henhold til de gældende regeringsbestemmelser.
--	--	--

Funktioner og betjeningsanordninger Motorens betjeningslementer

Sammenlign henvisningsbogstaverne i figur 1, 2 og 3 med motorens betjeningslementer¹ på den følgende liste:

- A. Motorens identifikationsnumre **Model - Type - Trim**
- B. Brændstoftank og tankdæksel
- C. Luftfilter, højmonteret
- D. Luftfilter, lavmonteret
- E. Startsnorgreb
- F. Oliepind, øverst
- G. Oliepind, nederst (hvis installeret)
- H. Oliepåfyldning
- I. Olieaftappingsprop
- J. Lyddæmper, lyddæmperskærm (hvis installeret), gnistfanger (hvis installeret)
- K. Elektrisk gaskontrol (hvis installeret)
- L. Kontrollér motorlampe (hvis installeret)
- M. Blæserhusdæksel
- N. Nøglekontakt (hvis installeret)

¹ Nogle motorer og noget udstyr har fjernbetjeningsanordninger. Se udstyrsmanualen for placering og betjening af fjernbetjeningen.

Motorfaresymboler og deres betydninger

Motorhastighed - HURTIG	Motorhastighed - LANGSOM
STOP motor	START motor
Motor TIL	

Betjening



ADVARSEL Benzindampe er brændbare og eksplosive. Brand eller eksplosion kan medføre forbrændinger eller dødsfald.

Hvis du kan lugte gas

- Start ikke motoren.
- Tænd ikke for elektriske kontakter.
- Brug ikke en telefon i nærheden.
- Evakuer området.
- Kontakt brandvæsenet.

Når du betjener udstyret

- Vip ikke motoren eller enheden, så brændstoffet løber ud.

Når du flytter udstyret

- Sørg for, at brændstoffranken er TOM, eller at brændstoffhanen er i positionen LUKKET, hvis installeret.

Kontroller oliestanden

Før du tjekker eller påfylder olie

- Kontrollér, at motoren står plant.
- Fjern uønsket materiale fra olieområdet.
- Se afsnittet **Specifikationer** mht. oliekapacitet.

BEMÆRK

Denne motor blev leveret af Briggs & Stratton uden olie. Producenter eller forhandlere af udstyret kan have fyldt olie på motoren. Inden du starter motoren første gang, skal du sørge for, at olien er ved det rigtige niveau. Tilsæt olie som angivet i instruktionerne i denne vejledning. Hvis du starter motoren uden olie, vil den blive beskadiget og vil ikke blive repareret under garantien.

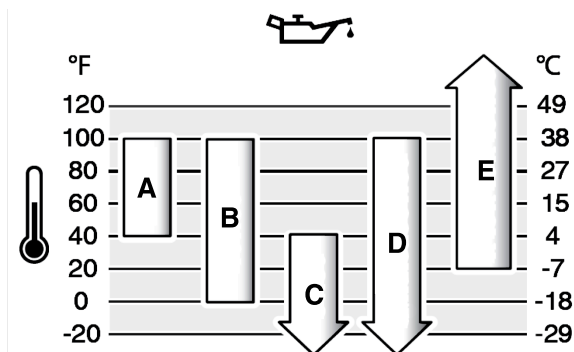
1. Fjern oliepipinden (A, B, C, figur 4). Brug en klud til at fjerne olie fra oliepipinden (A, B, C).
2. Monter oliepipinden (A, B, C, figur 4).
 - a. Lavmonteret oliepipind, hvis installeret (B, figur 4): Sørg for, at oliepåfyldningsmærkningerne på oliepipinden (B) peger op mod motorens øverste del.
 - b. Kort oliepipind eller oliepipindspåfyldningsprop, hvis installeret (C, figur 4): Drej oliepipinden og stram den (C).
3. Fjern oliepipinden igen (A, B, C, figur 4).
4. Kontrollér olieniveauet. Sørg for, at olieniveauet når op til toppen af fuld-mærket (D, figur 4).
5. Hvis oliestanden er for lav, skal du langsomt påfylde olie i en af motoroliepåfyldningerne (E, F, figur 5). Hæld ikke for meget olie på.
6. Vent et minut. Kontrollér oliestanden igen. Sørg for, at olieniveauet er korrekt.
7. Monter oliepipinden (A, B, C, figur 4).

Olieanbefalinger

Oliekapacitet: Se afsnittet **Specifikationer**.

Vi anbefaler at bruge olie, der er certificeret af Briggs & Stratton® for at opnå den bedste ydeevne. Andre selvrensende olier af høj kvalitet er tilladt, hvis de er godkendt til SF-, SG-, SH-, SJ-service eller højere. Undlad at bruge specielle tilsætningsstoffer.

Brug skemaet til at vælge den bedste viskositet til det forventede udendørstemperaturinterval. Motorer i det meste udstyr til udendørs brug kører godt med syntetisk olie 5W-30. Til udstyr, der bruges i varmere temperaturer, yder Vanguard® 15W-50 syntetisk olie den bedste beskyttelse.



B	10W-30 - Over 80 °F (27 °C) kan brugen af 10W-30 medføre forhøjet olieforbrug. Kontrollér olieniveauet ofte.
C	5W-30
D	Syntetisk 5W-30
E	Vanguard® syntetisk 15W-50

Beskyttelsessystem for lav oliestand (hvis installeret)

Der er monteret en sensor for lav oliestand på nogle motorer. Hvis oliestanden er lav, viser sensoren enten et advarselslys eller den standser motoren. Stop motoren, og følg disse trin, før du starter motoren.

- Kontrollér, at motoren står plant.
- Foretag en oliekontrol. Se afsnittet **Kontrollér oliestand**.
- Hvis oliestanden er lav, så tilføj den korrekte mængde olie. Start motoren, og sørg for, at advarselslyset (hvis installeret) ikke tændes.
- Hvis oliestanden ikke er lav, må du ikke starte motoren. Kontakt en autoriseret serviceforhandler fra Briggs & Stratton for at få afhjulpet olieproblemet.

Anbefalet brændstof

Brændstoffet skal overholde følgende krav:

- Ren, frisk blyfri benzin.
- Mindst 87 oktan/87 AKI (91 RON). Skal kunne anvendes i højder; se nedenfor.
- Benzin med op til 10 % ætanol (gasohol) er tilladt.

BEMÆRK

Brug ikke ikke-godkendt benzin, såsom E15 og E85. Der må ikke blandes olie i benzin, og der må ikke foretages ændringer på motoren, så den fungerer med alternative brændstoffer. Brug af ikke-godkendt brændstof resulterer i skader på motorkomponenterne, som ikke bliver repareret under garantien.

For at beskytte brændstofsysteget mod korrosion og dannelse af gummi, kan man tilsætte en alkoholfri brændstofstabilisator- og ætanolbehandling. Se afsnittet **Opbevaring**. Brændstoffer er forskellige. Hvis du oplever start- eller driftsproblemer, så skift brændstofleverandør eller -mærke. Motoren er godkendt til at køre på benzin. Emissionskontrollsystemet for motorer med karburator er EM (motormodifikationer). Emissionskontrollsystemerne for motorer med elektronisk brændstofindsprøjtning er ECM (motorstyringsmodul), MFI (flerportsindsprøjtning), TBI (gasbrændstofindsprøjtning) og hvis udrustet dermed en O2S (iltsensor).

Højder

Ved højder over 1.524 m (5.000 fod) er benzin med 85 oktan/85 AKI (89 RON) tilladt.

På motorer med karburator skal der foretages højdetilpasning for at vedligeholde ydeevnen. Drift uden disse justeringer vil medføre en nedgang i ydelse, en stigning i brændstofforbrug og øgede emissioner. Kontakt en Briggs & Stratton autoriseret forhandler for oplysninger om højdejusteringer. Drift af en motor, der er justeret til store højder, kan ikke anbefales i højder under 2.500 fod (762 m).

På motorer med elektronisk brændstofindsprøjtning (EFI) er det ikke nødvendigt at foretage justering til brug i højtliggende områder.

Påfyld brændstof



ADVARSEL Benzin og benzindampe er brændbare og eksplosive. Brand eller eksplosion kan medføre forbrændinger eller dødsfald.

Når du påfylder brændstof

- Stop motoren. Inden du fjerner brændstoffdækslet, skal du vente mindst to (2) minutter for at sikre dig, at motoren er nedkølet.
 - Fyld brændstoffranken udendørs eller i et område med god luftgennemstrømning.
 - Påfyld ikke for meget brændstof i tanken. Fyld ikke over bunden af brændstoffrankens hals, så der er plads til at brændstoffet kan udvide sig.
 - Hold benzin væk fra gnister, åben ild, tændflammer, varme eller andre antændelseskilder.
 - Undersøg ofte brændstoffledninger, brændstofftank, brændstoffdæksel og tilslutninger for revner eller lækager. Udskift beskadigede dele.
 - Hvis der spildes brændstof, skal du vente, indtil det tørrer, inden du starter motoren.
1. Rengør brændstoffdækslet for snavs og affaldsrester. Fjern brændstoffdækslet.
 2. Fyld brændstoffranken (A, figur 6) med brændstof. Da brændstof udvides, skal du undlade at fylde op over bunden af brændstoffrankens hals (B).
 3. Sæt dækslet tilbage på plads.

A SAE 30 - Under 40 °F (4 °C) vil brugen af SAE 30 gøre det svært at starte.

Start motoren



ADVARSEL

FARE FOR GIFTIGE GASSER. Motorudstødning indeholder kulilte, som er en giftig gas, der kan dræbe på få minutter. Selvom du ikke kan lugte udstødningsgasser, kan du stadigvæk være udsat for kulilteforgiftning. Hvis du får kvalme, føler dig svimmel eller svag, mens du bruger dette produkt, skal du have frisk luft **MEDE SAMME**. Søg lægehjælp. Du kan være blevet udsat for kulilteforgiftning.

- Kulilte kan opsamles i brugte områder. For at mindske risikoen for kuliltegas skal du KUN bruge dette produkt udendørs og langt væk fra vinduer, døre og åbninger.
- Installer batteridrevne kuliltealarmer eller strømtilsluttede alarmer med batterisupport som specificeret i producentens instruktioner. Røgalarmer kan ikke fornemme kulilte.
- Du MÅ IKKE betjene dette produkt indendørs i hjem, garager, kældre, krybekældre, skure eller på andre indelukkede steder, også selvom du bruger ventilatorer eller har åbne døre og vinduer for at sikre ordentlig ventilation. Efter brug af dette produkt kan kulilte hurtigt samles i disse områder og forblive der i flere timer.
- Anbring ALTID dette produkt i vindretningen, og sørg for, at udstødningen peger væk fra steder, hvor der er folk til stede.



ADVARSEL

Benzin og benzindampe er brændbare og eksplosive. Brand eller eksplosion kan medføre forbrændinger eller dødsfald.

Når du starter motoren

- Sørg for, at tændrør, lyddæmper, brændstofdæksel og luftfilter (hvis monteret) er monteret korrekt.
- Prøv ikke at starte motoren med tændrøret fjernet.
- Hvis motoren er oversvømmet, skal du indstille chokeren (hvis monteret) til positionen ÅBEN eller KØR. Flyt gashåndtaget (hvis monteret) til positionen HURTIG, og drej, indtil motoren starter.
- Hvis der er en utæthed af natur- eller LP-gas, må motoren ikke startes.
- Da dampe er brandfarlige, må du ikke bruge startvæsker under tryk.



ADVARSEL

Roterende dele kan gribe fat i hænder, fødder, hår, tøj eller tilbehør og resultere i traumatisk amputation eller flænger.

- Betjen udstyr med sikkerhedsafskærmningerne monteret korrekt.
- Hold hænder og fødder i sikker afstand fra roterende dele.
- Fjern smykker, og sørg for, at langt hår er sat op og væk fra alle roterende dele.
- Bær ikke løstsiddende tøj eller genstande, som kan blive fanget.



ADVARSEL

Hurtig tilbageslag af startsnoren (tilbageslag) vil bevirke, at din hånd og arm bliver trukket hurtigere mod motoren, end du kan kontrollere. Konsekvenserne kan være brækkede knogler, skrammer eller forstuvninger.

- For at forhindre tilbageslag når du starter motoren, så træk langsomt i startsnoren, indtil der mærkes modstand, og træk så kraftigt i den.
- Inden du starter motoren, skal du frakoble eller fjerne alt eksternt udstyr og motorbelastninger.
- Sørg for, at direkte tilkoblede dele på udstyret, såsom, men ikke begrænset til, skæreknive, skovlhjul, remskiver, kædehjul, er korrekt monteret.

BEMÆRK: Dit udstyr kan have fjernbetjening. Se udstyrsmanualen for placering og betjening af fjernbetjeningen.

Elektrisk Start

1. Kontrollér olieniveauet. Se afsnittet **Kontrollér olieniveauet**.
2. Deaktiver køretøjets styringer, hvis installeret.
3. Sæt brændstofhanen i positionen ÅBEN, hvis installeret.
4. Drej nøglekontakten (A, figur 7) til positionen START.

BEMÆRK Når du slipper nøglekontakten (A, figur 7), rykker nøglen over i positionen TIL. Motoren fortsætter startprocessen, medmindre motoren starter. Drej nøglekontakten (A) over i positionen FRA for at afbryde startsekvensen. Hvis motoren ikke starter, skal følgende trin udføres.

5. Sørg for, at nøglekontakten (A, figur 7) er i positionen FRA. Vent i to sekunder.

6. Drej nøglekontakten (A, figur 7) til positionen START.
7. Hvis motoren ikke starter, skal startsekvensen afbrydes, og du skal kontakte en autoriseret Briggs & Stratton-serviceforhandler.

Tilbagefølsstart

BEMÆRK Elektrisk start er den anbefalede metode til at starte din motor.

1. Kontrollér oliestanden i motoren. Se afsnittet **Kontrollér olieniveauet**.
2. Deaktiver køretøjets styringer, hvis installeret.
3. Sørg for at motoren er forbundet til et 12 volts batteri.
4. Sæt brændstofhanen i positionen ÅBEN, hvis installeret.
5. Drej nøglekontakten (A, figur 8) over i positionen TIL. Træk derefter i startsnorens håndtag (B).

Stop motoren

1. Drej tændingskontakten (A, figur 7) over i positionen FRA.
2. Tag nøglen ud af tændingen. Opbevares et sikkert sted uden for børns rækkevidde.
3. Efter at motoren er standset, drejes brændstofhanen over i positionen LUKKET, hvis installeret.

Tjek motorlampe

Kontrollampen for motoren (B, figur 7) signalerer et problem med motoren. Hvis motorens kontrollampe er TIL under motordrift, skal du tale med en autoriseret Briggs & Stratton-serviceforhandler for at løse problemet så hurtigt som muligt, eller når dit arbejde er færdigt. Hvis motorens kontrollampe er TIL, og motoren er stoppet automatisk, skal du udføre følgende trin:

1. Kontrollér, at motoren står plant.
2. Foretag en oliekontrol. Se afsnittet **Kontrollér oliestand**.
3. Start motoren. Se afsnittet **Start motoren**.
4. Hvis motorens kontrollampe er TIL, og motoren fortsat stopper automatisk, skal du ikke bruge motoren. Tal med en autoriseret serviceforhandler fra Briggs & Stratton for at få afklaret problemet.

Vedligeholdelse

Vedligeholdelsesoplysninger

ADVARSEL

Benzin og benzindampe er brændbare og eksplosive. Brand eller eksplosion kan medføre forbrændinger eller dødsfald.

Under vedligeholdelse, hvis det er nødvendigt at vippe enheden, skal du sørge for, at brændstoffranken, hvis monteret på motoren, er tom, og at tændrørssiden vender opad. Hvis brændstoffranken ikke er tom, kan der forekomme brændstofdækage, og dette kan medføre brand eller eksplosion. Hvis motoren vippes i en anden retning, starter den ikke nemt på grund af olie- eller brændstofforurening af luftfilteret eller tændrøret.

ADVARSEL

Utsigtede gnister fra motoren kan forårsage elektrisk stød, brand eller eksplosion samt indfiltrering, traumatisk amputation eller flænger.

Før du foretager justeringer eller reparationer:

- Fjern alle tændrørskablerne fra tændrøret og opbevar dem i sikker afstand fra tændrørene.
- Afbryd batterikablet fra den negative pol (gælder kun motorer med elektrisk start).
- Brug kun passende værktøj.

Når du tjekker for gnister:

- Brug en godkendt tændrørstester.
- Test ikke for gnister med tændrøret fjernet.

ADVARSEL

Reserveudlændene skal have samme udformning, og de skal placeres på præcis samme måde som de originale dele. Andre dele kan medføre skade eller personskade.

BEMÆRK

Alle komponenter, der bruges til at bygge dette produkt, skal forblive på plads for korrekt drift.

Kontakt en autoriseret serviceforhandler fra Briggs & Stratton vedrørende al vedligeholdelse og eftersyn af motor og motordele.

Udførelse af udledningskontrol

Ved vedligeholdelse, udskiftning eller reparation af udledningskontrolenheder og systemer, skal du kontakte et kvalificeret offroad-motorværksted eller

en **servicetekniker**. For at få udført udlædningskontrolservice "uden beregning" skal arbejdet imidlertid udføres af en autoriseret forhandler. Se erklæringer om udlædningskontrol.

Vedligeholdelsesskema

Første fem timer
<ul style="list-style-type: none">Skift olien.
8-timers intervaller eller dagligt
<ul style="list-style-type: none">Kontroller oliestanden i motoren.Rengør området omkring lyddæmperen.Rengør luftindsugningsgitteret.
100 timers intervaller eller årligt
<ul style="list-style-type: none">Servicér udstødningssystemet.
Intervaller på 200 timer eller årligt
<ul style="list-style-type: none">Skift motorolien.Rens luftfilteret¹
Intervaller på 600 timer eller to år
<ul style="list-style-type: none">Udskift luftfilteret.Udskift brændstoffilteret¹
Årligt
<ul style="list-style-type: none">Udskift tændrøret.Servicér brændstofssystemet.Servicér kølesystemet¹.Tjek ventilfrirummet².

¹Rengør oftere ved støvede forhold, eller når der er mange partikler i luften..

²Ikke nødvendigt, medmindre der opstår motorproblemer.

Elektronisk brændstofindsprøjtning (EFI)

EFI-systemet overvåger motortemperatur, motorhastighed og batterispænding under start og opvarmning af motoren. Systemet skal ikke justeres. Hvis der opstår start- eller betjeningsbesvær, skal du kontakte en autoriseret Briggs & Stratton-serviceforhandler.

BEMÆRK Sørg for at følge nedenstående trin, ellers kan der opstå skader på EFI-systemet.

- Start ALDRIG motoren, hvis batterikablerne er løse.
- Drej nøglen til FRA, før du frakobler, fjerner og/eller monterer batteriet.
- Start ALDRIG motoren ved hjælp af en batterioplader.
- Frakobl IKKE batterikablerne under motordrift.
- Når du tilslutter batterikablerne, skal du først tilslutte pluskablet (+) og derefter minuskablet (-) til batteriet.
- Når batteriet oplades, skal du dreje tændingskontakten til stillingen FRA og frakoble minuskablet (-) fra batteriet.
- Sprøjt IKKE vand direkte på det elektroniske styremodul.

Eftersyn af tændrøret

Kontrollér tændrørsafstanden (A, figur 9) med en afstandsmåler (B). Hvis nødvendigt indstilles tændrørsafstanden. Installer og spænd tændrøret til det korrekte drejningsmoment. Se afsnittet **Specifikationer** for specifikationer mht. afstand og drejningsmoment.

For at få adgang til tændrøret skal du sikre, at motoren er sat i positionen FRA. Fjern tændrørskablet (D, figur 10), og hold det på behørig afstand af tændrøret (E).

På EFI-ETC-modeller skal du fjerne varmeskjoldet for at få adgang til tændrøret. Følg nedenstående trin for at få adgang til tændrøret.

- Lås den røde tap (A, figur 11) op på tilslutningen (B)
- Tryk på den sorte tap (C, figur 11), imens du trækker tilslutningen (B) ud af tændspolen (D).
- Fjern udkasterventilen (E, figur 11).
- Fjern den øverste skrue (F, figur 11) og sideskruen (G) fra beslaget (H).
- Fjern varmeskjoldet (H, figur 11).
- Fjern tændspolen (D, figur 11).
- Sæt tændrøret på igen (I, figur 12).

- Monter tændspolen (D, figur 11).
- Monter beslaget (H, figur 11).
- Monter den øverste skrue (F, figur 11) og sideskruen (G) i beslaget (H).
- Monter udkasterventilen (E, figur 11).
- Monter tilslutningen (B, figur 11) i tændspolen (D).
- Lås den røde tap (A, figur 11).

Vedligeholdelse af udstødning og kølersystemer



ADVARSEL Under drift bliver motoren og lyddæmperen varm. Hvis du rører ved en varm motor, kan der opstå termiske forbrændinger.

Brændbart materiale, såsom blade, græs og krat, kan blive antændt.

- Før du berører motoren eller lyddæmperen, skal du stoppe motoren og vente (2) minutter. Sørg for, at motoren og lyddæmperen er sikre at røre ved.
- Fjern affald fra lyddæmperen og motoren.

Det er en overtrædelse af staten Californiens forskrifter om offentlige ressourcer, afsnit 4442, at bruge eller betjene motoren på ethvert skov-, krat- eller græsdykket område, medmindre udstødningssystemet er forsynet med en korrekt vedligeholdt gnistfanger som beskrevet i afsnit 4442. Andre stater eller statsretskredse har eventuelt lignende love, se statsforskrift 36 CFR, afsnit 261.52. Kontakt en autoriseret fabrikant eller serviceforhandler angående anskaffelse af en gnistfanger, der er konstrueret til det udstødningssystem, der er monteret på den pågældende maskine.

Det er en luftkølet motor. Snavs og uønsket materiale kan forhindre luftstrømmen og medføre, at motoren bliver for varm. Dette fører til en utilfredsstillende ydeevne og reducerer motorens levetid. Cylindernes kølefinner kan opsamle uønsket materiale, som ikke kan fjernes uden delvis afmontering af motoren. Sørg for, at en autoriseret Briggs & Stratton-serviceforhandler undersøger og renser luftkølesystemet. Se **Vedligeholdelsesskema**.

- Sørg for, at ingen brændbare materialer befinder sig i nærheden af eller bag ved lyddæmperen.
- Brug en kost eller en tør klud til at fjerne al uønsket materiale fra blæserhudsækket, lyddæmperen og cylinderområdet. BRUG IKKE vand til at rengøre motoren med.
- Sørg for at forbindelsen, fjedrene og betjeningselementerne er rene.
- Undersøg lyddæmperen for revner, korrosion eller andre skader.
- Fjern deflektoren eller gnistfangeren, hvis monteret, og undersøg for skader eller kulstofblokering. Sørg for at rengøre eller montere udskiftningsdelene, inden du bruger udstyret.
- Sørg for, at olie køleribberne, er rene, hvis monteret.

Skift motorolie



ADVARSEL Benzín og benzindampe er brændbare og eksplosive. Brand eller eksplosion kan medføre forbrændinger eller dødsfald.

Under drift bliver motoren og lyddæmperen varm. Hvis du rører ved en varm motor, kan der opstå termiske forbrændinger.

- Hvis du tømmer olien fra oliepåfyldningsrøret i toppen, skal brændstoffranken være tom. Hvis den ikke er tom, kan der forekomme brændstofflækage og dette kan forårsage brand eller eksplosion.
- Før du berører motoren eller lyddæmperen, skal du stoppe motoren og vente (2) minutter. Sørg for, at motoren og lyddæmperen er sikre at røre ved.

Brugt olie er et farligt affaldsprodukt og skal kasseres korrekt. Må ikke bortskaffes sammen med husholdningsaffald. Kontakt de lokale myndigheder, dit servicecenter eller din forhandler for oplysninger om sikker bortskaffelse eller korrekt aflevering til en genbrugsstation.

Aftapning af olie

- Med motoren FRA, men varm, frakobles tændrørsledningen (D, figur 10), og den holdes væk fra tændrøret (E). For motormodeller, der har varmeskjold (figur 11), frakobles tændrørsledningen som følger:
 - Lås den røde tap (A, figur 11) op på tilslutningen (B).
 - Tryk på den sorte tap (C, figur 11), mens du trækker tilslutningen (B) ud af tændspolen (D).
- Fjern oliepipen (A, B, C, figur 4).
- Afmonter en af oliebundpropperne (F, G, figur 13). Tap olien ud i en godkendt beholder.
- Monter og spænd olieaftapningsproppen (F, G, figur 13).

Påfyld olie

- Kontrollér, at motoren står plant.
- Fjern al uønsket materiale fra oliepåfyldningsområdet.
- Se afsnittet **Specifikationer** mht. oliekapacitet.

1. Fjern oliepinde (A, B, C, figur 4).
2. Hæld langsomt olie ned i en af motoroliepåfylderne (E, F, figur 5). Undgå at hælde for megen olie i.
3. Monter oliepinde (A, B, C, figur 4).
 - a. Forlænget oliepind, hvis installeret (B, figur 4): Sørg for, at oliepåfyldningsmærkningerne på oliepinde (B) peger op mod motorens øverste del.
 - b. Kort oliepind eller oliepindspåfyldningsprop, hvis installeret (C, figur 4): Drej oliepinde og stram den (C).
4. Fjern oliepinde (A, B, C, figur 4) igen.
5. Kontrollér olieniveauet. Sørg for, at det korrekte olieniveau når op til toppen af fuld-mærket (D, figur 4).
6. Monter oliepinde igen (A, B, C, figur 4).
7. Forbind tændrørsledningen (D, 10) til tændrøret (E). For motormodeller, der har et varmeskjold (figur 11), forbindes tændrørsledningen som følger:
 - a. Monter tilslutningen (B, figur 11).
 - b. Lås den røde tap (A, figur 11).

Eftersyn af luftfilteret

ADVARSEL

Benzindampe er brændbare og eksplosive. Brand eller eksplosion kan medføre forbrændinger eller dødsfald.

- Start ikke motoren, og lad den ikke køre uden luftfilterenheden (hvis monteret) eller luftfilteret (hvis monteret).

BEMÆRK

Undlad at bruge komprimeret luft eller rengøringsmidler til rengøring af filteret. Komprimeret luft kan beskadige filteret, og rengøringsmidler vil opløse filteret.

Se **Vedligeholdelsesoversigten** for servicekrav.

Forskellige modeller bruger et skum- eller papirfilter. Nogle modeller har ligeledes et valgfrit forfilter, der kan vaskes og genbruges. Sammenlign illustrationerne i denne manual med den type, der er installeret på din motor, og servicér i overensstemmelse hermed.

Papirluftfilter

1. Løsn monteringsanordning(erne) (C, figur 14).
2. Afmonter dækslet (A, figur 14) og filteret (B).
3. For at løsne snavs bankes filteret (B, figur 14) forsigtigt mod en hård overflade. Hvis filteret er meget snavset, udskift det med et nyt filter.
4. Monter filteret (B, figur 14).
5. Monter dækslet (A, figur 14) med fastgørelseselementerne (C). Sørg for, at fastgørelseselementerne er strammet.

Papirluftfilter med lav profil

1. Fjern haspen (A, figur 15) for at låse op for dækslet (C).
2. Tryk tapperne ind (B, figur 15) og fjern dækslet (C).
3. Fjern filteret (D, figur 15).
4. For at løsne snavs bankes filteret (D, figur 15) forsigtigt mod en hård overflade. Hvis filteret er meget snavset, udskift det med et nyt filter.
5. Monter filteret (D, figur 15).
6. Monter dækslet (C, figur 15). Flyt haspen (A) til den låste position.

BEMÆRK: Tjek skumpakningens pasform (E, figur 15). Sørg for, at den omkransende skumpakning er korrekt placeret i kanalen (F).

Vedligeholdelse af brændstofsyste

ADVARSEL

Benzin og benzindampe er brændbare og eksplosive. Brand eller eksplosion kan medføre forbrændinger eller dødsfald.

- Hold benzin væk fra gnister, åben ild, tændflammer, varme eller andre antændelseskilder.
- Undersøg ofte brændstoffledninger, brændstoftank, brændstofdæksel og tilslutninger for revner eller lækager. Udskift beskadigede dele.
- Hvis der spildes brændstof, skal du vente, indtil det tørrer, inden du starter motoren.

Brændstoffilter, hvis installeret

1. Før udskiftning af brændstoffilteret (A, figur 16) skal brændstoftanken tømmes, eller brændstoffhanen skal lukkes. Hvis brændstoftanken ikke tømmes, kan brændstof sive ud og forårsage brand eller eksplosion.
2. Brug en tang til at klemme tapperne (B, figur 16) på klemmerne (C) sammen. Flyt derefter klemmerne væk fra brændstoffilteret (A).
3. Drej og træk brændstofslangerne (D, figur 16) af brændstoffiltret.
4. Kontrollér brændstofslangerne (D, figur 16) for revner eller utætheder. Udskift brændstoffledninger efter behov.
5. Udskift brændstoffilteret (A, figur 16).
6. Fastgør brændstofslangerne (D, figur 16) med klemmer (C).

Brændstoffilter, hvis installeret

1. Fjern brændstofdækslet (A, figur 17).
2. Fjern brændstoffilter (B, figur 17).
3. Hvis brændstofsien er tilsmudset, skal den rengøres eller udskiftes. Hvis du udskifter brændstofsien, skal den udskiftes med en original reservedel.

Opbevaring

Brændstofsyste

Hensvis til figur: 18.

ADVARSEL

Benzin og benzindampe er brændbare og eksplosive. Brand eller eksplosion kan medføre forbrændinger eller dødsfald.

Opbevaring af brændstof

- Da en tændflamme eller andre antændelseskilder kan forårsage eksplosioner, skal du holde brændstof eller udstyr på afstand af fyr, ovne, vandvarmere eller andre enheder, der har en tændflamme.

Opbevar motoren på en plan overflade i dens korrekte driftsposition. Fyld brændstoftanken (A, figur 18) med brændstof. Fyld ikke over brændstoftankens hals (B), da brændstoffet kan ekspandere.

Brændstof kan blive forældet, når det opbevares i en opbevaringsbeholder i over 30 dage. Det anbefales at anvende en alkoholfri brændstofstabilisator og ætanolbehandling i brændstoftanken. Det holder brændstoffet frisk og formindsker antallet af brændstofrelaterede problemer eller forurening i brændstofsyste

Når beholderen fyldes med brændstof, tilsættes der en alkoholfri brændstofstabilisator som angivet i anvisninger. Hvis benzinen i motoren ikke er blevet behandlet med en brændstofstabilisator, skal den tømmes i en godkendt beholder. Betjen motoren, indtil den løber tør for brændstof.

Motorolie

Skift motorolien, mens motoren stadig er varm. Se afsnittet **Udskift motorolien**.

Fejlfinding

Hjælp

Hvis du har brug for hjælp, skal du kontakte din lokale forhandler eller gå til **BRIGGSandSTRATTON.COM** eller ringe på **1-800-444-7774** (i USA).

Specifikationer og reservedele

Model: 25E300	
Forskydning	24.898 ci (408 cc)
Boring	3.465 tommer (88 mm)
Slaglængde	2.638 tommer (67 mm)
Oliekapacitet	28-32 oz (.82 - .95 L)

Model: 25E300	
Tændrørgab	.030 tommer (.76 mm)
Tilspændingsmoment for tændrør	170 pund-tommer (19,2 Nm)
Hastighedssensor, luftgab	.010 - .015 tommer (.254 - .381 mm)
Ventilspillerum (indsugning)	.004 - .006 tommer (.10 - .15 mm)
Ventilspillerum (udstødning)	.006 - .008 tommer (.15 - .20 mm)

Motoreffekten falder med 3,5 % for hver 1.000 fod (300 meter) over havets overflade og med 1 % for hver 10 °F (5,6 °C) over 77 °F (25 °C). Motoren kan køre tilfredsstillende ved en hældning på op til 30°. Yderligere oplysninger om grænseværdierne for drift på hældninger findes i udstyrets betjeningsvejledning.

Reserve dele

Find en autoriseret serviceforhandler hos BRIGGSandSTRATTON.COM for at købe Briggs & Stratton-reserve dele. Du får brug for dit identifikationsnummer (model - type - trim). Se afsnittet **Funktioner og betjeningsanordninger** for at finde dit motoridentifikationsnummer.

Nominal belastning

Nettobelastningen for separate benzinmotormodeller er mærket i henhold til SAE (sammenslutningen af bilingeniører)-kode J1940, procedure til klassificering af lav motorkraft og drejningsmoment, og den er klassificeret i henhold til SAE J1995. Drejningsmomentværdier er målt ved 2.600 o/min. for motorer med "rpm" angivet på mærkaten og 3.060 o/min. for alle andre; hestekraftværdier er angivet ved 3.600 o/min. Bruttoeffektcurverne kan ses på www.BRIGGSandSTRATTON.COM. Nettokraftværdier bliver målt med udstødnings- og luftfilter monteret, hvorimod bruttokraftværdier bliver målt uden disse anordninger. Faktisk bruttomotoreffekt vil være højere end nettomotoreffekt og er bl.a. påvirket af lokale driftsforhold og variationer fra motor til motor. På grund af det store udvalg af ekstraudstyr, der kan benyttes sammen med motorer, yder benzinmotoren måske ikke den forventede bruttoeffekt, når den anvendes med et bestemt stykke ekstraudstyr. Forskellen skyldes mange forskellige faktorer, herunder eksempelvis de forskellige motordelte (luftfilter, udstødning, opladning, kølesystem, karburator, brændstofpumpe osv.), anvendelsesbegrænsninger, omgivelsesernes driftsforhold (temperatur, fugtighed, højde) samt motor-til-motor-variation. På grund af fabriktions- og kapacitetsbegrænsninger kan Briggs & Stratton erstatte en motor med højere effekt for denne motor.

Garanti

Briggs & Stratton® Motorgaranti

Gældende fra august 2022

Begrænset garanti

Briggs & Stratton garanterer, at i løbet af den garantiperiode, der er angivet herunder, vil denne gratis og efter eget skøn reparere eller udskifte enhver del, der er defekt i materiale eller håndværk eller begge dele, med en ny, renoveret eller genproduceret del. Transportomkostninger i forbindelse med et produkt, som indleveres til reparation eller udskiftning under denne garanti, afholdes af køberen. Denne garanti er gyldig inden for tidsperioderne og underlagt nedenstående betingelser. I forbindelse med garantiservice finder du den nærmeste autoriserede serviceforhandler på vores kort med forhandleroversigt på BRIGGSandSTRATTON.COM. Køberen skal kontakte den autoriserede serviceforhandler og derefter stille produktet til rådighed for den autoriserede serviceforhandler med henblik på inspektion og afprøvning.

Der ydes ikke nogen anden udtrykkelig garanti. Underforståede garantier, inklusive garantier for salgbarhed og egnethed til et bestemt formål, er begrænset til et år fra købsdato eller i den udstrækning loven tillader. Alle andre underforståede garantier bortfalder. Ansvar for hændelige skader eller følgeskader er udelukket, i det omfang lovgivningen tillader udelukkelse. Visse stater eller lande tillader ikke begrænsninger på, hvor lang tid en underforstået garanti varer, og visse stater eller lande tillader ikke udelukkelse eller begrænsning af tilfældig skade eller følgeskade, så ovenstående begrænsning og udelukkelse er måske ikke gældende for dig. Denne garanti giver dig specifikke juridiske rettigheder, og du kan endvidere have andre rettigheder, som kan variere fra land til land.

Vilkår for standardgaranti ^{1, 2}	
Vanguard®; Commercial Series	
Forbrugeranvendelse - 36 måneder	
Erhvervsmæssig anvendelse - 36 måneder	
XR-serien	
Forbrugeranvendelse - 24 måneder	
Erhvervsmæssig anvendelse - 24 måneder	
Alle andre motorer med Dura-Bore™ støbejernsboring	
Forbrugeranvendelse - 24 måneder	
Erhvervsmæssig anvendelse - 12 måneder	
Alle andre motorer	

Vilkår for standardgaranti ^{1, 2}	
Forbrugeranvendelse - 24 måneder	
Erhvervsmæssig anvendelse - 3 måneder	

¹ Dette er vores vilkår for standardgaranti, men der kan lejlighedsvist være ekstra garantidækning, der ikke var fastslået på tidspunktet for offentliggørelsen. Hvis du ønsker en liste over gældende garantivilkår for din motor, så gå til BRIGGSandSTRATTON.COM, eller kontakt din autoriserede Briggs & Stratton-serviceforhandler.

² Der er ikke garanti på motorer på udstyr, der bruges til primæreffekt i stedet for et hjælperedskab; standbygeneratorer, der anvendes til kommercielle formål, hjælpekedetøjer, der overstiger 25 mph, eller motorer, der bruges til konkurrencemæssige motorløb eller på kommercielle eller lejebaserede baner.

* I Australien - Vores produkter sælges med en garanti, der ikke kan bortfalde i henhold til den australske forbrugerlovgivning. Du er berettiget til en erstatning eller refusion i tilfælde af en væsentlig defekt eller til kompensation for ethvert forudseeligt tab eller skade. Du er derudover berettiget til at få dine varer repareret eller erstattet, hvis varerne ikke lever op til kvaliteten, og manglen ikke er i forbindelse med en væsentlig defekt. I forbindelse med service under garantien findes den nærmeste autoriserede serviceforhandler på kortet over forhandlere på BRIGGSandSTRATTON.COM, ved at ringe til 1300 274 447 eller ved at sende en e-mail eller skrive til salesenquires@briggsandstratton.com.au, Briggs & Stratton Australia Pty Ltd, 1 Moorebank Avenue, Moorebank, NSW, Australia, 2170.

Garanti perioden starter på købsdatoen for den første detailkøber eller erhvervsmæssige slutbruger og fortsætter i den tidsperiode, som er angivet i tabellen ovenfor. "Privat brug" betyder brug i personlig beboelseshusholdning hos en detailkunde. "Erhvervsmæssig brug" betyder al anden form for brug, inklusive erhvervsmæssigt, indkomstdannende eller lejebaseret formål. Når en motor har været anvendt erhvervsmæssigt, skal den herefter anses for at være en motor til erhvervsbrug i henhold til denne garanti.

Det er ikke nødvendigt at registrere garanti for at opnå garanti på produkter, der bærer Briggs & Stratton-varemærket. Gem dit købsbevis. Hvis du ikke kan fremvise bevis for den oprindelige købsdato på det tidspunkt, hvor du anmoder om garantiservice, vil produktets produktionsdato blive brugt som grundlag for garantien.

Om garantien

Denne garanti dækker alene motor-relaterede materiale- og/eller fremstillingsfejl og ikke udskiftning eller tilbagebetaling for det redskab, hvorpå motoren måtte være monteret. Rutinemæssig vedligeholdelse, optuning, justeringer eller normal slitage dækkes ikke under denne garanti. På samme måde gælder denne garanti heller ikke, hvis motoren er ændret eller modificeret, eller hvis motorens serienummer er ødelagt eller fjernet. Denne garanti dækker ikke motorskade eller driftsproblemer som følge af:

1. Brug af dele, der ikke er Briggs & Stratton
2. Betjening af motoren med utilstrækkelig, forurenede eller forkert type olie
3. Brug af forurenede eller gammel olie, benzin med mere end 10 % etanol eller brug af alternative brændstoffer som petroleumsvæske eller naturgas på motorer, der ikke oprindeligt er udviklet/fremstillet af Briggs & Stratton til at fungere med sådanne brændstoffer;
4. Snavs, der er trængt ind i motoren på grund af utilstrækkelig vedligeholdelse af luftrensesystemet eller genmontering;
5. Stød mod et objekt med skærebledet i en roterende plæneklipper, løse eller forkert installeret bladadaptere, rotor eller andet udstyr koblet på krumtapakslen eller for høj V-remspænding
6. Tilhørende dele eller tilbehør som koblinger, transmissioner, udstyrskontroller osv., som ikke leveres af Briggs & Stratton;
7. Overophedning på grund af græsslåning, snavs og affald eller gnaverredder, der tilstopper kølefinerne eller svinghjulsområdet eller drift af motoren uden tilstrækkelig ventilation
8. Overdreven vibration på grund af for høj hastighed, løs motormontering, løse eller ubalancerede skærebled eller rotor eller forkert kobling af udstyrskomponenter på krumtapakslen
9. Misbrug, mangel på rutinevedligeholdelse, forsendelse, håndtering eller udstyrets opbevaring på lager eller forkert motorinstallation.

Servicegarantien er kun tilgængelig via autoriserede Briggs & Stratton-serviceforhandlere. Find din nærmeste serviceforhandler på vores forhandlerkort på BRIGGSandSTRATTON.COM eller ved at ringe til 1-800-444-7774 (i USA).

80114782 (Revision A)

Allgemeine Informationen



Dieses Handbuch enthält Sicherheitsinformationen über die mit dem Motor verbundenen Gefahren und Risiken und deren Vermeidung. Es enthält auch Hinweise zur korrekten Bedienung und Wartung des Motors. Es ist wichtig, dass Sie diese Anweisungen lesen, verstehen und befolgen. **Bewahren Sie dieses Handbuch zum späteren Nachschlagen auf.**

HINWEIS: Die Abbildungen und Illustrationen in dieser Anleitung dienen nur zur Information und können von Ihrem Modell abweichen. Verwenden Sie die Zahlen, die mit Ihrer Motorkonfiguration übereinstimmen. Wenden Sie sich im Bedarfsfall an eine Vertragswerkstatt.

Notieren Sie das Kaufdatum, das Motormodell, den Typ, die Ausstattung und die Seriennummer des Motors für Ersatzteile. Diese Nummern befinden sich auf Ihrem Motor. Siehe Abschnitt **Funktionen und Bedienungselemente**.

Kaufdatum	
Motormodell – Typ – Trim	
Motorseriennummer	

Kontaktinformationen für das europäische Büro

Für Fragen bezüglich europäischer Emissionen kontaktieren Sie bitte unser europäisches Büro unter:

Max-Born-Straße 2, 68519 Viernheim, Deutschland.

Europäische Union (EU) Stufe V (5): Kohlendioxidwerte (CO₂)

Geben Sie CO₂ im Suchfenster auf BriggsandStratton.com ein, um die Kohlendioxidwerte von Briggs & Stratton Motoren mit EU-Genehmigungszertifikat zu finden.

Bedienersicherheit

Sicherheitshinweissymbole und Signalworte



Das Sicherheitswarnsymbol enthält Sicherheitsinformationen über Gefahren, die zu Verletzungen führen können. Ein Signalwort (**GEFAHR**, **WARNUNG** oder **VORSICHT**) wird verwendet, um die Wahrscheinlichkeit und den potenziellen Schweregrad von Verletzungen anzuzeigen. Außerdem wird ein Gefahrensymbol verwendet, um die Art des Risikos darzustellen.

GEFAHR weist auf ein Risiko hin, das zum Tod oder zu schweren Verletzungen führen **wird**, wenn es nicht vermieden wird.

WARNUNG weist auf ein Risiko hin, das zum Tod oder zu schweren Verletzungen führen **könnte**, wenn es nicht vermieden wird.

VORSICHT weist auf eine Gefahr hin, die zu leichten bis mittelschweren Verletzungen führen **könnte**, wenn sie nicht vermieden wird.

HINWEIS weist auf Informationen hin, die wichtig sind, sich jedoch nicht auf eine Gefahr beziehen.

Gefahrensymbole und deren Bedeutung

	Warnhinweis zu Risiken, die zu Verletzungen führen können.		Lesen und verstehen Sie die Bedienungsanleitung, bevor Sie mit der Maschine arbeiten oder diese warten.
	Brandgefahr		Explosionsgefahr!
	Stromschlaggefahr		Gefahr durch giftige Dämpfe

	Gefahr durch heiße Oberflächen		Rückschlaggefahr
	Amputationsgefahr – bewegliche Teile		Kraftstoffpegel - Maximum Nicht überfüllen

Sicherheitshinweise



WARNUNG

Motoren von Briggs & Stratton® sind nicht konzipiert und nicht geeignet für den Antrieb von Fun-Karts, Go-Karts, Freizeitfahrzeugen für Kinder, Geländefahrzeugen für den Motorsport (ATVs), Motorrädern, Luftkissenfahrzeugen, Luftfahrzeugen oder Fahrzeugen für den Rennsport, wenn dies nicht von Briggs & Stratton genehmigt ist. Informationen über Rennsportprodukte finden Sie auf www.briggsracing.com. Zum Einsatz mit Nutzfahrzeug- und Side-by-side-ATVs wenden Sie sich bitte an das Briggs & Stratton Power Application Center, 1-866-927-3349. Eine fehlerhafte Motorverwendung könnte zu schweren Verletzungen oder zum Tod führen.

Recyclinginformation

		Alle Kartons, Boxen, Altöl und Akkus gemäß den behördlichen Vorschriften recyceln.
--	--	--

Funktionen und Bedienungselemente

Bedienelemente am Motor

Vergleichen Sie die Kennbuchstaben in den Abbildungen 1, 2 und 3 mit der Motorsteuerung¹ in der folgenden Liste:

- A. Motorkennungen **Modell - Typ - Karosserie**
- B. Kraftstofftank und Tankdeckel
- C. Luftfilter, Hochmontage
- D. Luftfilter, Niedrigmontage
- E. Startseilzugriff
- F. Oberer Ölmesstab
- G. Unterer Ölmesstab (falls installiert)
- H. Öleinfüllöffnung
- I. Ölablassschraube
- J. Schalldämpfer, Schalldämpferschutz (falls vorhanden), Funkenfänger (falls vorhanden)
- K. Elektronische Drosselklappensteuerung (falls installiert)
- L. Motorkontrollleuchte (falls installiert)
- M. Abdeckung des Gebläsegehäuses
- N. Schlüsselschalter (falls vorhanden)

¹ Einige Motoren und Geräte sind mit Fernbedienung ausgestattet. Zu Position und Betätigung der Fernbedienung siehe die Geräteanleitung.

Symbole zur Motorregelung und ihre Bedeutungen

	Motordrehzahl – SCHNELL		Motordrehzahl – LANGSAM
	Motor ANHALTEN		Motor ANLASSEN
	Motor EIN		

Betrieb



WARNUNG Kraftstoffdämpfe sind entzündlich und explosiv. Feuer oder Explosionen können Verbrennungen oder den Tod zur Folge haben.

Wenn Benzin gerochen wird

- Den Motor nicht anlassen.
- Keine elektrischen Schalter betätigen.
- Kein Telefon in der Nähe benutzen.
- Den Bereich evakuieren.
- Wenden Sie sich an die Feuerwehr.

Beim Betrieb des Geräts

- Kippen Sie den Motor bzw. das Gerät nicht in einem Winkel, bei dem Kraftstoff verschüttet werden könnte.

Wenn Sie den Standort des Geräts wechseln:

- Vergewissern Sie sich, dass der Kraftstofftank LEER ist oder dass das Kraftstoffabsperrentil, falls vorhanden, in der Position GESCHLOSSEN ist.

Kontrolle des Ölstands

Bevor Sie den Ölstand überprüfen oder Öl nachfüllen

- Achten Sie darauf, dass der Motor waagrecht steht.
- Reinigen Sie den Ölbereich von unerwünschtem Material.
- Zum Ölfassungsvermögen siehe Abschnitt **Spezifikationen**.

HINWEIS

Dieser Motor wird von Briggs & Stratton ohne Öl geliefert. Gerätehersteller oder Händler können dem Motor Öl hinzugefügt haben. Bevor Sie den Motor zum ersten Mal starten, stellen Sie sicher, dass der Ölstand korrekt ist. Fügen Sie gemäß den Anleitungen in diesem Handbuch Öl hinzu. Wenn der Motor ohne Öl gestartet wird, treten Schäden auf und der Motor wird nicht im Rahmen der Garantie repariert werden.

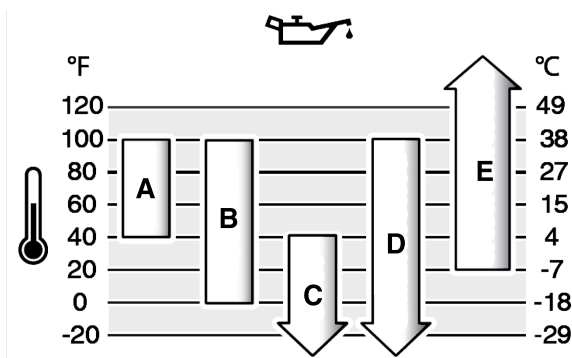
1. Entfernen Sie den Ölmesstab (A, B, C, Abbildung 4). Benutzen Sie einen Lappen, um das Öl vom Messstab (A, B, C) zu entfernen.
2. Setzen Sie den Ölmesstab ein (A, B, C, Abbildung 4).
 - a. Niedrig montierter Ölmesstab, falls vorhanden (B, Abbildung 4): Vergewissern Sie sich, dass die Öleinfüllmarkierungen am Messstab (B) zur Oberseite des Motors zeigen.
 - b. Kurzer Ölmesstab oder Ölmesstab-Füllstopfen, falls vorhanden (C, Abbildung 4): Drehen Sie den Ölmesstab (C) und ziehen Sie ihn fest.
3. Entfernen Sie den Ölmesstab wieder (A, B, C, Abbildung 4).
4. Prüfen Sie den Ölstand. Vergewissern Sie sich, dass sich der Ölstand am oberen Rand der Vollanzeige (D, Abbildung 4).
5. Wenn der Ölstand niedrig ist, füllen Sie langsam Öl in eine der Motoröleinfüllöffnungen (E, F, Abbildung 5). Füllen Sie nicht zu viel Öl ein.
6. Warten Sie eine Minute. Prüfen Sie den Ölstand erneut. Stellen Sie sicher, dass der Ölstand korrekt ist.
7. Setzen Sie den Ölmesstab ein (A, B, C, Abbildung 4).

Empfehlungen zum Öl

Ölfassungsvermögen: Siehe Abschnitt **Spezifikationen**.

Um eine bestmögliche Leistung zu garantieren, empfehlen wir die Verwendung von durch die Briggs & Stratton®-Garantie abgedeckten Ölen. Andere qualitativ hochwertige Öle sind zulässig, falls diese für die Klassen SF, SG, SH, SJ oder höher zertifiziert sind. Verwenden Sie keine speziellen Additive.

Verwenden Sie die Tabelle, um die beste Viskosität für die Spanne der erwarteten Außentemperatur auszuwählen. Die Motoren der meisten Motorgeräte für den Außenbereich funktionieren gut mit 5W-30 Synthetiköl. Für Geräte, die bei heißen Temperaturen betrieben werden, bietet das synthetische Öl Vanguard® 15W-50 den besten Schutz.



A	SAE 30 – Unter 40 °F (4 °C) führt die Verwendung von SAE 30 zu Startschwierigkeiten.
B	10W-30 – Über 80 °F (27 °C) kann die Verwendung von 10W-30 zu einem höheren Ölverbrauch führen. Überprüfen Sie regelmäßig den Ölstand.
C	5W-30
D	Synthetisch 5W-30
E	Vanguard® Synthetisch 15W-50

Ölniedrigstandschutzsystem (falls installiert)

Manche Motoren verfügen über einen Sensor, der einen niedrigen Ölstand anzeigt. Wenn der Ölstand zu niedrig ist, zeigt der Sensor eine Warnleuchte an oder schaltet den Motor ab. Stellen Sie den Motor ab und führen Sie die folgenden Schritte aus, bevor Sie den Motor starten.

- Stellen Sie sicher, dass der Motor waagrecht steht.
- Den Ölstand überprüfen. Siehe Abschnitt **Ölstand überprüfen**.
- Bei zu niedrigem Ölstand die korrekte Menge Öl nachfüllen. Starten Sie den Motor und vergewissern Sie sich, dass die Warnleuchte (falls vorhanden) nicht aufleuchtet.
- Wenn der Ölstand nicht zu niedrig ist, den Motor nicht starten. Wenden Sie sich zur Behebung des Ölproblems an einen autorisierten Briggs & Stratton Vertragshändler.

Kraftstoffempfehlungen

Kraftstoff muss folgende Anforderungen erfüllen:

- Sauberes, frisches, bleifreies Benzin.
- Mindestens 87 Oktan/87 AKI (91 RON). Große Höhenlagen siehe unten.
- Benzin mit bis zu 10 % Ethanol (Ethanol/Benzin-Kraftstoff) ist zulässig.

HINWEIS

Verwenden Sie keine ungenehmigten Benzinsorten, wie zum Beispiel E15 und E85. Vermischen Sie Öl nicht mit Benzin und ändern Sie den Motor nicht, damit er mit anderen Kraftstoffen läuft. Bei Verwendung nicht zugelassener Kraftstoffe könnten Schäden an Motorkomponenten entstehen, die im Rahmen der Garantie nicht repariert werden.

Um das Kraftstoffsystem vor Gummibildung und Korrosion zu schützen, mischen Sie einen alkoholfreien Kraftstoffstabilisator und eine Ethanolbehandlung in den Kraftstoff. Siehe Abschnitt **Aufbewahrung**. Nicht alle Kraftstoffe sind gleich. Falls Probleme beim Starten oder mit der Leistung auftreten, wechseln Sie Ihre Tankstelle oder die Kraftstoffmarke. Der Motor ist für den Betrieb mit Benzin zugelassen. Das System zur Emissionskontrolle bei Vergasermotoren wird als EM (Motormodifikationen) bezeichnet. Die Emissionskontrollsysteme für Motoren mit elektronischer Kraftstoffeinspritzung sind ECM (Engine Control Module), MFI (Multiport Fuel Injection), TBI (Throttle Body Fuel Injection) und, falls vorhanden, ein O2S (Oxygen Sensor).

Große Höhenlagen

Ab einer Höhenlage von 5000 Fuß (1524 m) über NN ist nur Benzin mit mindestens 85 Oktan/85 AKI (89 RON) zulässig.

Bei Vergasermotoren ist eine Einstellung für große Höhen erforderlich, damit die Leistung beibehalten wird. Der Betrieb ohne diese Anpassung führt zu verringerter Leistung, erhöhtem Kraftstoffverbrauch und erhöhten Emissionen. Bitte suchen Sie einen autorisierten Briggs & Stratton Dienstleistungsanbieter auf, um nähere Informationen zur Anpassung an große Höhenlagen zu erhalten. Der Betrieb des Motors in Höhen unter 2500 Fuß (762 m) über NN mit dem Kit für große Höhenlagen wird nicht empfohlen.

Für Motoren mit elektronischer Kraftstoffeinspritzung (EFI), ist eine Anpassung an große Höhenlagen nicht notwendig.

Kraftstoff nachfüllen



WARNUNG

Der Kraftstoff und seine Dämpfe sind entzündlich und explosiv. Feuer oder Explosionen können Verbrennungen oder den Tod zur Folge haben.

Beim Nachfüllen von Kraftstoff

- Stellen Sie den Motor ab. Vor dem Entfernen des Tankdeckels mindestens zwei (2) Minuten warten, um sicherzustellen, dass der Motor abgekühlt ist.
 - Füllen Sie den Kraftstofftank im Freien oder in einem Bereich mit guter Lüftung.
 - Füllen Sie nicht zu viel Kraftstoff in den Tank. Füllen Sie den Kraftstofftank nicht über die Unterkante des Tankstutzens auf, da sich der Kraftstoff ausdehnt.
 - Halten Sie den Kraftstoff von Funken, offenen Flammen, Zündflammen, Hitze oder anderen Zündquellen fern.
 - Untersuchen Sie die Kraftstoffleitungen, den Kraftstofftank, den Tankdeckel und die Verbindungen regelmäßig auf Sprünge oder Lecks. Tauschen Sie beschädigte Teile aus.
 - Sollte Kraftstoff auslaufen, warten Sie ab, bis dieser verdunstet ist, und lassen Sie erst dann den Motor an.
1. Reinigen Sie den Bereich um den Tankdeckel von Schmutz und Ablagerungen. Entfernen Sie den Tankdeckel.
 2. Befüllen Sie den Kraftstofftank (A, Abbildung 6) mit Kraftstoff. Füllen Sie den Kraftstoff nicht über die Unterkante des Tankstutzens (B) auf, denn der Kraftstoff wird sich ausdehnen.
 3. Setzen Sie den Tankdeckel wieder auf.

Motor anlassen



WARNUNG

GIFTGASGEFAHR. Motorabgase enthalten Kohlenmonoxid, ein giftiges Gas, das Sie innerhalb von Minuten töten kann. Auch wenn Sie keine Abgase riechen, können Sie trotzdem gefährlichem Kohlenmonoxid ausgesetzt sein. Wenn Sie sich während der Verwendung dieses Produkts übel, schwindlig oder schwach fühlen, gehen Sie SOFORT an die frische Luft. Suchen Sie einen Arzt auf. Sie könnten eine Kohlenmonoxidvergiftung haben.

- Kohlenmonoxid kann sich in Räumen ansammeln, in denen sich Menschen aufhalten. Betreiben Sie dieses Gerät NUR im Freien und abseits von Fenstern, Türen und Öffnungen, um das Risiko von Kohlenmonoxid zu senken.
- Installieren Sie batteriebetriebene Kohlenmonoxid-Warmmelder oder netzbetriebene Warmmelder mit Akku-Notstromversorgung entsprechend den Herstelleranweisungen. Rauchmelder reagieren nicht auf Kohlenmonoxid.
- Betreiben Sie dieses Gerät NICHT in Wohnungen, Garagen, Kellern, Zwischenräumen, Schuppen oder anderen geschlossenen Räumen, selbst wenn Sie Ventilatoren oder offene Fenster zur Belüftung verwenden. Nach dem Betrieb dieses Produkts kann sich Kohlenmonoxid schnell in diesen Räumen ansammeln und dort stundenlang verbleiben.
- Stellen Sie dieses Produkt IMMER in Windrichtung auf und richten Sie den Motorauspuff weg von Räumen, in denen sich Menschen aufhalten.



WARNUNG

Der Kraftstoff und seine Dämpfe sind entzündlich und explosiv. Feuer oder Explosionen können Verbrennungen oder den Tod zur Folge haben.

Beim Anlassen des Motors

- Darauf achten, dass Zündkerze, Schalldämpfer, Tankdeckel und Luftfilter (je nach Ausstattung) korrekt montiert sind.
- Machen Sie den Motor ohne Zündkerze nicht an.
- Wenn der Motor geflutet ist, den Choke (falls vorhanden) in die Position OFFEN oder BETRIEB stellen. Stellen Sie den Gashebel (falls vorhanden) in die Position SCHNELL und drehen Sie den Motor durch, bis er startet.
- Besteht die Gefahr der Ausströmung von Erd- oder Flüssiggas, darf der Motor nicht angelassen werden.
- Verwenden Sie keine Starthilfe-Sprays, da deren Dämpfe leicht entzündlich sind.



WARNUNG

Rotierende Teile können sich in Händen, Füßen, Haaren, Kleidung oder Schmuck verfangen, wodurch es zur Amputation von Gliedmaßen oder schweren Schnittwunden kommen kann.

- Betreiben Sie das Gerät mit korrekt angebrachten Schutzvorrichtungen.
- Hände und Füße von rotierenden Teilen fern halten.
- Entfernen Sie Schmuck und halten Sie lange Haare von allen rotierenden Teilen fern.
- Tragen Sie keine lockere Kleidung oder Kleidungsstücke, die sich verfangen könnten.



WARNUNG

Wenn das Starterseil schnell zurückspringt, werden Hand und Arm schneller zum Motor gezogen, als das Seil losgelassen werden kann. Es kann zu Knochenbrüchen, Prellungen oder Verstauchungen kommen.

- Um beim Starten des Motors einen Rückschlag zu vermeiden, ziehen Sie langsam am Starterseil, bis der Widerstand spürbar wird, und ziehen Sie dann einmal schnell.
- Trennen oder entfernen Sie alle externen Geräte- und Motorlasten, bevor Sie den Motor starten.
- Stellen Sie sicher, dass mit dem Motor verbundene Gerätekomponenten, z. B. Schneidmesser, Impeller, Seilscheiben, Zahnräder usw., sicher befestigt sind.

HINWEIS: Ihr Gerät könnte mit einer Fernsteuerung ausgestattet sein. Zu Position und Betätigung der Fernbedienung siehe die Geräteanleitung.

Elektrostart

1. Prüfen Sie den Ölstand. Siehe Abschnitt **Ölstand überprüfen**.
2. Deaktivieren Sie die Antriebssteuerung des Geräts, falls vorhanden.
3. Bringen Sie die Kraftstoffabspernung, falls vorhanden, in die Position OFFEN.
4. Drehen Sie den Schlüsselschalter (A, Abbildung 7) in die Position START.

HINWEIS Wenn Sie den Schlüsselschalter loslassen (A, Abbildung 7), wird der Schlüssel in die Position EIN gebracht. Der Motor kurbelt weiter, bis er anspringt. Um den Startvorgang abubrechen, drehen Sie den Schlüsselschalter (A) in die Position AUS. Wenn der Motor nicht anspringt, führen Sie die folgenden Schritte aus.

5. Vergewissern Sie sich, dass sich der Schlüsselschalter (A, Abbildung 7) in der Position AUS befindet. Warten Sie zwei Sekunden.
6. Drehen Sie den Schlüsselschalter (A, Abbildung 7) in die Position START.
7. Wenn der Motor nicht anspringt, brechen Sie den Startvorgang ab und wenden Sie sich an eine Briggs & Stratton Vertragswerkstatt.

Start zurückspulen

HINWEIS Elektrostart ist das empfohlene Verfahren, um Ihren Motor zu starten.

1. Den Motorölstand prüfen. Siehe Abschnitt **Ölstand überprüfen**.
2. Deaktivieren Sie die Antriebssteuerung des Geräts, falls vorhanden.
3. Stellen Sie sicher, dass der Motor mit einer aufgeladenen 12-Volt-Batterie verbunden ist.
4. Bringen Sie die Kraftstoffabspernung, falls vorhanden, in die Position OFFEN.
5. Drehen Sie den Schlüsselschalter (A, Abbildung 8) in die Position EIN. Ziehen Sie dann am Griff des Starterkabels (B).

Stellen Sie den Motor AB

1. Drehen Sie den Schlüsselschalter (A, Abbildung 7) in die Position AUS.
2. Ziehen Sie den Zündschlüssel ab. Bewahren Sie ihn an einem sicheren Ort und außerhalb der Reichweite von Kindern auf.
3. Stellen Sie nach dem Abstellen des Motors die Kraftstoffabschaltung, falls vorhanden, auf die Position GESCHLOSSEN.

Motorkontrollleuchte

Die Motorkontrollleuchte (B, Abbildung 7) weist auf ein Problem mit dem Motor hin. Wenn die Motorkontrollleuchte während des Motorbetriebs leuchtet, wenden Sie sich an eine autorisierte Briggs & Stratton Vertragswerkstatt, um das Problem so schnell wie möglich zu beheben oder wenn Ihre Arbeit erledigt ist. Wenn die Motorkontrollleuchte eingeschaltet ist und der Motor automatisch abgestellt wurde, führen Sie die folgenden Schritte aus:

1. Stellen Sie sicher, dass der Motor waagrecht steht.
2. Den Ölstand überprüfen. Siehe Abschnitt **Ölstand überprüfen**.
3. Starten Sie den Motor. Siehe Abschnitt **Motor anlassen**.

4. Wenn die Motorkontrollleuchte eingeschaltet bleibt und der Motor sich weiterhin automatisch abschaltet, darf der Motor nicht betrieben werden. Wenden Sie sich sofort an eine autorisierte Briggs & Stratton Vertragswerkstatt, um das Problem zu beheben.

Wartung

Wartungsinformationen



WARNUNG
Der Kraftstoff und seine Dämpfe sind entzündlich und explosiv. Feuer oder Explosionen können Verbrennungen oder den Tod zur Folge haben.

Falls das Gerät während der Wartung gekippt werden muss, stellen Sie sicher, dass der Kraftstofftank, falls er am Motor angebracht ist, leer ist und die Zündkerzenseite nach oben zeigt. Wenn der Kraftstofftank nicht leer ist, könnte Kraftstoff auslaufen und ein Feuer oder eine Explosion verursachen. Wenn der Motor in eine andere Richtung gekippt wird, wird er nicht leicht starten, da der Luftfilter oder die Zündkerze mit Öl oder Kraftstoff verunreinigt ist.



WARNUNG
Unbeachtete Motorfunken können einen elektrischen Schlag, einen Brand oder eine Explosion verursachen und zu Verwicklungen, traumatischen Amputationen oder Verletzungen führen.

Vor Anpassungen oder Reparaturen:

- Klemmen Sie alle Zündkerzenkabel ab und halten Sie sie von den Zündkerzen fern.
- Klemmen Sie das Batteriekabel vom Minuspol der Batterie ab (nur bei Motoren mit Elektrostart).
- Immer die richtigen Werkzeuge verwenden.

Bei der Prüfung auf eine Zündung:

- Einen zugelassenen Zündkerzenprüfer verwenden.
- Zündung nicht bei entfernter Zündkerze überprüfen.



WARNUNG
Ersatzteile müssen den Originalteilen entsprechen und in derselben Position angebracht werden. Andere Teile könnten zu Schäden oder Verletzungen führen.

HINWEIS
Für einen ordnungsgemäßen Betrieb müssen alle zum Bau dieses Motors verwendeten Komponenten an ihrem Platz bleiben.

Wenden Sie sich für alle Wartungs- und Instandhaltungsarbeiten am Motor und an den Motorteilen an eine Briggs & Stratton Vertragswerkstatt.

Emissionskontrolle

Kontaktieren Sie für Wartungs-, Austausch- oder Reparaturarbeiten an Geräten und Systemen zur Emissionskontrolle eine qualifizierte Werkstatt für Straßenfahrzeuge oder einen Servicetechniker. Für einen kostenlosen Emissionskontrollservice müssen die Arbeiten jedoch von einem zugelassenen Vertragshändler durchgeführt werden. Siehe die Erklärungen zur Emissionskontrolle.

Wartungsplan

Die ersten fünf Stunden
<ul style="list-style-type: none"> • Ölwechsel.
8-Stunden-Intervall oder täglich
<ul style="list-style-type: none"> • Den Motorölstand prüfen. • Reinigen Sie den Bereich um den Schalldämpfer. • Lufteinlassgitter reinigen.
100-Stunden-Intervall oder jährlich
<ul style="list-style-type: none"> • Auspuffanlage warten.
Intervalle von 200 Stunden oder jährlich.
<ul style="list-style-type: none"> • Wechseln Sie das Motoröl. • Den Luftfilter reinigen.¹
Intervalle von 600 Stunden oder 2 Jahren.
<ul style="list-style-type: none"> • Luftfilter austauschen. • Wechseln Sie den Kraftstofffilter¹ aus.

Jährlich

- Zündkerze auswechseln.
- Kraftstoffanlage warten.
- Kühlsystem warten¹.
- Ventilspiel prüfen².

¹In staubigen Umgebungen oder wenn viele Partikel in der Luft sind, häufiger reinigen.

²Nicht erforderlich, es sei denn, es treten Motorprobleme auf.

Elektronisches Kraftstoffeinspritzungs(EFI)-System

Das EFI-System überwacht Motortemperatur, Motordrehzahl und Batteriespannung für Start und Warmlauf des Motors. Am System können keine Einstellungen vorgenommen werden. Falls es zu Start- oder Betriebsstörungen kommt, wenden Sie sich bitte an eine Briggs & Stratton-Vertragswerkstatt.

HINWEIS Die folgenden Schritte sind genau zu befolgen, weil das EFI-System sonst beschädigt werden kann.

- Den Motor NIEMALS anlassen, wenn die Batteriekabel lose sind.
- Den Schlüssel auf die Position AUS drehen, bevor die Batterie gelöst, ausgebaut bzw. eingebaut wird.
- Zum Starten des Motors KEIN Batterieladegerät verwenden.
- Die Batteriekabel dürfen während des Motorbetriebs NICHT abgeklemmt werden.
- Beim Anschluss der Batteriekabel zuerst das positive (+) Kabel und dann das negative (-) Kabel an die Batterie anschließen.
- Zum Laden der Batterie den Zündschalter auf die Position AUS drehen und das negative (-) Kabel von der Batterie abziehen.
- KEIN Wasser direkt auf das elektronische Steuermodul spritzen.

Warten der Zündkerze

Prüfen Sie den Zündkerzenabstand (A, Abbildung 9) mit einer Drahtlehre (B). Stellen Sie bei Bedarf den Elektrodenabstand ein. Die Zündkerze einsetzen und mit dem empfohlenen Anzugswert festziehen. Angaben zu Abstand und Drehmoment finden Sie im Abschnitt **Spezifikationen**.

Um Zugriff auf die Zündkerze zu erhalten, ist es wichtig, dass der Motor in der AUS-Stellung steht. Ziehen Sie das Zündkabel (D, Abbildung 10) ab und halten Sie dieses von der Zündkerze (E) fern.

Bei einigen EFI-ETC-Modellen müssen Sie das Hitzeschild entfernen, um an die Zündkerze zu gelangen. Führen Sie die folgenden Schritte aus, um an die Zündkerze zu gelangen.

1. Lösen Sie die rote Lasche (A, Abbildung 11) vom Stecker (B)
2. Drücken Sie auf die schwarze Lasche (C, Abbildung 11), während Sie den Stecker (B) von der Zündspule (D) abziehen.
3. Entfernen Sie das Schmutzfangventil (E, Abbildung 11).
4. Entfernen Sie die obere Schraube (F, Abbildung 11) und die seitliche Schraube (G) aus der Halterung (H).
5. Entfernen Sie das Hitzeschild (H, Abbildung 11).
6. Entfernen Sie die Zündspule (D, Abbildung 11).
7. Ersetzen Sie die Zündkerze (I, Abbildung 12).
8. Installieren Sie die Zündspule (D, Abbildung 11).
9. Montieren Sie die Halterung (H, Abbildung 11).
10. Montieren Sie die obere Schraube (F, Abbildung 11) und die seitliche Schraube (G) in die Halterung (H).
11. Installieren Sie das Schmutzfangventil (E, Abbildung 11).
12. Installieren Sie den Stecker (B, Abbildung 11) in die Zündspule (D).
13. Verriegeln Sie die rote Lasche (A, Abbildung 11).

Wartung der Abgas- und Kühlsysteme



WARNUNG
Während des Betriebs werden der Motor und Schalldämpfer heiß. Wenn Sie einen heißen Motor berühren, können Verbrennungen auftreten.

Brennbare Materialien, z. B. Blätter, Gras, Büsche, können in Brand geraten.

- Bevor Sie den Motor oder Schalldämpfer anfassen, stellen Sie den Motor ab und warten Sie zwei (2) Minuten. Stellen Sie sicher, dass Motor und Schalldämpfer gefahrlos berührt werden können.
- Entfernen Sie Rückstände von Schalldämpfer und Motor.

Wenn Sie den Motor in der Nähe von wald-, busch- oder grasbedeckten Flächen verwenden, verstoßen Sie gegen Abschnitt 4442 des Öffentlichen Vorschrift zur Verwendung von Rohstoffen von Kalifornien (California Public Resource Code), es sei denn, er ist, wie in Abschnitt 4442 beschrieben, mit einem Funkenfänger ausgestattet, dessen betriebsfähiger Zustand aufrechterhalten wird. In anderen Staaten oder föderalen Rechtsordnungen gelten möglicherweise ähnliche Gesetze; siehe Federal Regulation, 36 CFR, Teil 261.52. Einen passenden Funkenfänger für die an diesem Motor installierte Auspuffanlage finden Sie beim Gerätehersteller oder Händler.

Es handelt sich hierbei um einen luftgekühlten Motor. Schmutz oder unerwünschtes Material kann den Luftstrom behindern und dazu führen, dass der Motor zu heiß wird. Dies führt zu einer unzureichenden Leistung und verkürzt die Lebensdauer des Motors. In den Kühlrippen des Zylinders kann sich unerwünschtes Material ansammeln, das ohne eine teilweise Demontage des Motors nicht entfernt werden kann. Stellen Sie sicher, dass eine Briggs & Stratton Vertragswerkstatt das Luftkühlsystem überprüft und reinigt. Siehe auch **Wartungsplan**.

1. Stellen Sie sicher, dass sich um und hinter dem Schalldämpfer keine brennbaren Materialien befinden.
2. Verwenden Sie eine Bürste oder ein trockenes Tuch, um alles unerwünschte Material von der Gebläsegehäuseabdeckung, dem Schalldämpfer und dem Zylinderbereich zu entfernen. Verwenden Sie KEIN Wasser zur Reinigung des Motors.
3. Stellen Sie sicher, dass das Gestänge, die Federn und die Bedienelemente sauber sind.
4. Den Schalldämpfer auf Risse, Korrosion oder andere Beschädigungen untersuchen.
5. Entfernen Sie das Ablenkblech oder den Funkenfänger, falls vorhanden, und untersuchen Sie es auf Beschädigungen oder Verstopfung durch Kohlenstoff. Stellen Sie sicher, dass Sie die Ersatzteile reinigen oder einbauen, bevor Sie das Gerät in Betrieb nehmen.
6. Stellen Sie sicher, dass die Ölkühlerlamellen sauber sind, falls installiert.

Motoröl wechseln



WARNUNG
Der Kraftstoff und seine Dämpfe sind entzündlich und explosiv. Feuer oder Explosionen können Verbrennungen oder den Tod zur Folge haben.

Während des Betriebs werden der Motor und Schalldämpfer heiß. Wenn Sie einen heißen Motor berühren, können Verbrennungen auftreten.

- Wenn Sie das Öl über das oben befindliche Ölfüllrohr ablassen, muss der Kraftstofftank leer sein. Wenn er nicht leer ist, könnte Kraftstoff auslaufen und ein Feuer oder eine Explosion verursachen.
- Bevor Sie den Motor oder Schalldämpfer anfassen, stellen Sie den Motor ab und warten Sie zwei (2) Minuten. Stellen Sie sicher, dass Motor und Schalldämpfer gefahrlos berührt werden können.

Altöl ist Sondermüll, der ordnungsgemäß entsorgt werden muss. Es gehört nicht in den Hausmüll. Fragen Sie bei Ihren örtlichen Behörden, Ihrem Dienstleistungsbetrieb oder Händler nach sicheren Entsorgungs-/Recyclingeinrichtungen.

Ablassen von Öl

1. Wenn der Motor AUS, aber noch warm ist, das Zündkerzenkabel (D, Abbildung 10) abziehen und von der Zündkerze (E) fernhalten. Für Motormodelle mit einer Hitzeschutzabdeckung (Abbildung 11), trennen Sie das Zündkabel wie folgt:
 - a. Lösen Sie die rote Lasche (A, Abbildung 11) vom Stecker (B).
 - b. Drücken Sie auf die schwarze Lasche (C, Abbildung 11), während Sie den Stecker (B) aus der Spule (D) ziehen
2. Entfernen Sie den Ölmesstab (A, B, C, Abbildung 4).
3. Entfernen Sie eine der Ölablass-Schrauben (F, G, Abbildung 13). Lassen Sie das Öl in einen zugelassenen Behälter ab.
4. Setzen Sie die Ölablassschraube ein und ziehen Sie sie fest (F, G, Abbildung 13).

Füllen Sie Öl nach

- Darauf achten, dass der Motor waagrecht steht.
 - Reinigen Sie den Öleinfüllbereich von allem unerwünschten Material.
 - Zum Ölfassungsvermögen siehe Abschnitt **Spezifikationen**.
1. Entfernen Sie den Ölmesstab (A, B, C, Abbildung 4).
 2. Füllen Sie langsam Öl in einen der Motoröleinfüllstutzen (E, F, Abbildung 5). Füllen Sie nicht zu viel Öl ein.
 3. Setzen Sie den Ölmesstab ein (A, B, C, Abbildung 4).
 - a. Verlängerter Ölmesstab, falls vorhanden (B, Abbildung 4): Vergewissern Sie sich, dass die Öleinfüllmarkierungen am Messstab (B) zur Oberseite des Motors zeigen.
 - b. Kurzer Ölmesstab oder Ölmesstab-Füllstopfen, falls vorhanden (C, Abbildung 4): Drehen Sie den Ölmesstab (C) und ziehen Sie ihn fest.

4. Entfernen Sie den Ölmesstab (A, B, C, Abbildung 4) erneut.
5. Prüfen Sie den Ölstand. Vergewissern Sie sich, dass der korrekte Ölstand an der Oberkante der Vollazeige ist (D, Abbildung 4).
6. Setzen Sie den Ölmesstab wieder ein (A, B, C, Abbildung 4).
7. Verbinden Sie das Zündkabel (D, 10) mit der Zündkerze (E). Bei Motormodellen mit einer Hitzeschutzabdeckung (Abbildung 11) verbinden Sie das Zündkabel wie folgt:
 - a. Installieren Sie den Stecker (B, Abbildung 11).
 - b. Verriegeln Sie die rote Lasche (A, Abbildung 11).

Warten des Luftfilters



WARNUNG
Kraftstoffdämpfe sind entzündlich und explosiv. Feuer oder Explosionen können Verbrennungen oder den Tod zur Folge haben.

- Niemals den Motor mit abgenommener Luftfilter-Baugruppe (falls vorhanden) oder Filtereinsatz (falls vorhanden) starten oder betreiben.

HINWEIS

Verwenden Sie zur Reinigung des Filters keine Druckluft und keine Lösungsmittel. Druckluft könnte den Filter beschädigen, und Lösungsmittel zersetzen ihn.

Siehe **Wartungsplan** für Wartungsanforderungen.

Verschiedene Modelle verwenden entweder einen Schaumstoff- oder einen Papierfilter. Einige Modelle können auch einen optionalen Vorreiniger haben, der gereinigt und wieder verwendet werden kann. Vergleichen Sie die Abbildung in dieser Anleitung mit dem an Ihrem Motor installierten Filtertyp und gehen Sie bei der Wartung folgendermaßen vor.

Papier-Luftfilter

1. Das bzw. die Befestigungselement(e) (C, Abbildung 14) lösen.
2. Die Abdeckung (A, Abbildung 14) ab- und den Filter (B) herausnehmen.
3. Klopfen Sie mit dem Filter (B, Abbildung 14) leicht gegen eine harte Oberfläche, um Ablagerungen zu entfernen. Den Filter durch einen neuen ersetzen, falls er schmutzig ist.
4. Den Filter (B, Abbildung 14) einbauen.
5. Die Abdeckung (A, Abbildung 14) mit dem bzw. den Befestigungselement(en) (C) anbringen. Darauf achten, dass das bzw. die Befestigungselement(e) fest sitzt bzw. sitzen.

Papier-Luftfilter – Flach

1. Verschlusshebel bewegen (A, Abbildung 15), um die Abdeckung (C) zu entriegeln.
2. Laschen nach innen drücken (B, Abbildung 15) und Abdeckung entfernen (C).
3. Filter herausnehmen (D, Abbildung 15).
4. Mit dem Filter (D, Abbildung 15) leicht gegen eine harte Oberfläche klopfen, um Ablagerungen zu entfernen. Den Filter durch einen neuen ersetzen, falls er schmutzig ist.
5. Filter anbringen (D, Abbildung 15).
6. Abdeckung anbringen (C, Abbildung 15). Verschlusshebel (A) in geschlossene Position bringen.

HINWEIS: Sitz der Schaumstoffdichtung überprüfen (E, Abbildung 15). Sicherstellen, dass die Schaumstoffdichtung richtig im Kanal (F) sitzt.

Warten der Kraftstoffanlage



WARNUNG
Der Kraftstoff und seine Dämpfe sind entzündlich und explosiv. Feuer oder Explosionen können Verbrennungen oder den Tod zur Folge haben.

- Halten Sie den Kraftstoff von Funken, offenen Flammen, Zündflammen, Hitze oder anderen Zündquellen fern.
- Untersuchen Sie die Kraftstoffleitungen, den Kraftstofftank, den Tankdeckel und die Verbindungen regelmäßig auf Sprünge oder Lecks. Tauschen Sie beschädigte Teile aus.
- Sollte Kraftstoff auslaufen, warten Sie ab, bis dieser verdunstet ist, und lassen Sie erst dann den Motor an.

Kraftstofffilter, falls vorhanden

1. Bevor Sie den Kraftstofffilter austauschen (A, Abbildung 16), den Kraftstofftank entleeren oder das Kraftstoffabsperrventil schließen. Wenn der Kraftstofftank nicht entleert wird, kann Kraftstoff austreten und einen Brand oder eine Explosion verursachen.
2. Drücken Sie die Laschen (B, Abbildung 16) mit einer Zange an den Schellen (C) zusammen. Schieben Sie die Schellen vom Kraftstofffilter (A) weg.

3. Drehen und ziehen Sie die Kraftstoffleitungen (D, Abbildung 16) vom Kraftstofffilter ab.
4. Untersuchen Sie die Kraftstoffleitungen (D, Abbildung 16) auf Risse oder Lecks. Gegebenenfalls sind die Kraftstoffleitungen zu ersetzen.
5. Den Kraftstofffilter (A, Abbildung 16).
6. Die Kraftstoffleitungen (D, Abbildung 16) mit den Klemmen (C) befestigen.

Kraftstoffsieb, falls vorhanden

1. Den Tankdeckel (A, Abbildung 17) abnehmen.
2. Das Kraftstoffsieb (B, Abbildung 17) herausnehmen.
3. Wenn das Kraftstoffsieb schmutzig ist, muss es gereinigt oder ausgetauscht werden. Wenn das Kraftstoffsieb ausgetauscht wird, ist darauf zu achten, dass ein Original-Gerätersatzsieb verwendet wird.

Aufbewahrung Kraftstoffanlage

Siehe hierzu Abbildung 18.



WARNUNG
Der Kraftstoff und seine Dämpfe sind entzündlich und explosiv. Feuer oder Explosionen können Verbrennungen oder den Tod zur Folge haben.

Aufbewahrung von Kraftstoff

- Da Zündflammen oder andere Zündquellen Explosionen verursachen können, dürfen Kraftstoff oder das Gerät niemals in der Nähe von Öfen, Herden, Warmwasserbereitern oder ähnlichen Geräten mit Dauerflammen abgestellt werden.

Stellen Sie den Motor in der richtigen Betriebsposition ab. Füllen Sie den Kraftstofftank (A, Abbildung 18) mit Kraftstoff. Füllen Sie den Kraftstoff nicht über den Kraftstofftankstutzen (B) hinaus auf, damit sich das Benzin ausdehnen kann.

Wenn Kraftstoff für mehr als 30 Tage in einem Aufbewahrungsbehälter aufbewahrt wird, kann unbrauchbar werden. Es wird ein alkoholfreier Kraftstoffstabilisator und eine Ethanolbehandlung im Kraftstofflagerbehälter empfohlen. Das hält den Kraftstoff frisch und reduziert kraftstoffbedingte Probleme oder die Verunreinigung der Kraftstoffanlage.

Wenn Sie den Behälter mit Kraftstoff füllen, fügen Sie einen alkoholfreien Kraftstoffstabilisator gemäß den angegebenen Anweisungen hinzu. Wenn das Benzin im Motor nicht mit einem Kraftstoffstabilisator behandelt wurde, muss es in einen zugelassenen Behälter abgelassen werden. Lassen Sie den Motor so lange laufen, bis der Kraftstoff aufgebraucht ist.

Motoröl

Bei noch warmem Motor das Motoröl wechseln. Siehe hierzu Abschnitt **Motoröl wechseln**.

Fehlersuche und -behebung Unterstützung

Wenden Sie sich an Ihren Händler vor Ort oder besuchen Sie die Website **BRIGGSandSTRATTON.COM** oder rufen Sie an unter **1-800-444-7774** (nur in USA).

Spezifikationen und Ersatzteile

Modell: 25E300	
Hubraum	24.898 ci (408 ccm)
Bohrung	3.465 in (88 mm)
Hub	2.638 in (67 mm)
Ölfassungsvermögen	28-32 Unzen (.82 - .95 l)
Zündkerzenabstand	.030 in (.76 mm)
Zündkerzen-Anzugswert	170 Pfund-Zoll (19,2 Nm)
Luftspalt des Drehzahlsensors	.010 - .015 in (.254 - .381 mm)
Einlassventilspiel	.004 - .006 in (.10 - .15 mm)
Auslassventilspiel	.006 - .008 in (.15 - .20 mm)

Die Motorleistung sinkt um 3,5 % pro 300 Meter über dem Meeresspiegel und um 1 % pro 10 °F (5,6 °C) über 77 °F (25 °C). Der Motor läuft zufriedenstellend bei einem Winkel bis zu 30°. Die zulässigen Grenzwerte für den Betrieb an Hängen entnehmen Sie bitte der Betriebsanleitung des Geräts.

Ersatzteile

Wenn Sie Ersatzteile von Briggs & Stratton kaufen möchten, finden Sie eine Vertragswerkstatt unter **BRIGGSandSTRATTON.COM**. Sie benötigen Ihre Identifikationsnummer (Modell, Typ, Ausstattung). Die Motorkennnummer finden Sie im Abschnitt **Funktionen und Bedienungselemente**.

Nennleistungen

Die Bruttonennleistung für die einzelnen Modelle mit gasbetriebenem Motor wird in Übereinstimmung mit SAE-Code (Society of Automotive Engineers) J1940 (Small Engine Power & Torque Rating Procedure) angegeben und gemäß SAE J1995 bewertet. Die Drehmomentwerte wurden für die Motoren, die auf dem Etikett mit „rpm“ (U/min) versehen sind, bei 2600 U/min. und für alle anderen bei 3060 U/min. ermittelt, die PS-Werte bei 3600 U/min. Die Leistungskennlinien können unter **www.BRIGGSandSTRATTON.COM** angesehen werden. Die Nettoleistungswerte wurden mit montiertem Auspuff und Luftreiniger gemessen, während die Bruttoleistungswerte ohne diese Anbauten ermittelt wurden. Die tatsächliche Bruttomotorleistung ist höher als die Nutzleistung des Motors und wird u.a. durch die Betriebsbedingungen und Abweichungen von Motor zu Motor bestimmt. In Anbetracht der breiten Vielfalt an Produkten, in die Motoren eingebaut werden, kann es sein, dass der Motor nicht die bewertete Bruttoleistung entwickelt, wenn er in einem bestimmten motorgetriebenen Gerät verwendet wird. Dieser Unterschied lässt sich auf eine Vielfalt von Faktoren zurückführen, einschließlich u.a. Vielfalt der Motorkomponenten (Luftreiniger, Auspuff, Ladung, Kühlung, Vergaser, Kraftstoffpumpe etc.), Einschränkungen bezüglich der Anwendung, Betriebsbedingungen (Temperatur, Luftfeuchtigkeit, Einsatzhöhe) und Abweichungen von Motor zu Motor. Auf Grund von Herstellungs- und Kapazitätsbegrenzungen kann Briggs & Stratton einen Motor dieser Serie durch einen Motor mit einer höheren Leistung ersetzen.

Garantie

Briggs & Stratton® Motorgarantie

Gültig ab August 2022

Beschränkte Garantie

Briggs & Stratton garantiert, dass während des unten angegebenen Garantiezeitraums jedes Teil, das Material- oder Verarbeitungsfehler oder beides aufweist, kostenlos repariert oder durch ein neues, überholtes oder nachgefertigtes Teil nach Ermessen von Briggs & Stratton ersetzt wird. Die beim Einschicken des Produkts zwecks Reparatur oder Austausch gemäß dieser Garantie entstehenden Transportkosten sind vom Käufer zu tragen. Diese Garantie ist für die Zeiträume und unter den unten genannten Bedingungen wirksam. Hinsichtlich Garantieleistungen finden Sie die nächstgelegene Vertragswerkstatt auf unserer Händlersuchkarte unter **BRIGGSandSTRATTON.COM**. Der Käufer muss den Vertragshändler kontaktieren und diesem das Produkt für die Prüfungen und Tests zur Verfügung stellen.

Es besteht keine andere ausdrückliche Garantie. Stillschweigende Garantien, einschließlich derer der Marktgängigkeit und der Eignung für einen bestimmten Zweck, sind auf ein Jahr ab Kauf oder auf den gesetzlich zulässigen Umfang beschränkt. Alle anderen stillschweigenden Garantien sind ausgeschlossen. Die Haftung für beiläufig entstandene Schäden oder Folgeschäden ist ausgeschlossen, soweit der Ausschluss gesetzlich zulässig ist. In einigen Staaten ist die Dauer der implizierten Garantie bzw. die Ausnahme oder Beschränkung von Folge- oder Begleitschäden nicht zulässig, daher könnte die oben genannte Beschränkung oder Ausnahme eventuell nicht auf Sie zutreffen. Diese Garantieleistung verleiht Ihnen bestimmte Rechte neben denen Sie noch andere Rechte haben können, die von Land zu Land abweichen.

Standard-Garantiefristen^{1, 2}

Vanguard®, Kommerzielle Serie

Private Verwendung – 36 Monate

Gewerbliche Verwendung – 36 Monate

XR Series

Private Verwendung – 24 Monate

Gewerbliche Verwendung – 24 Monate

Alle anderen Motoren mit Dura-Bore™-Gusseisenlaufbuchse

Private Verwendung – 24 Monate

Gewerbliche Verwendung – 12 Monate

Alle anderen Motoren

Private Verwendung – 24 Monate

Gewerbliche Verwendung – 3 Monate

¹ Dies sind unsere Standard-Garantiebedingungen, aber gelegentlich kann es zusätzliche Garantieleistungen geben, die zum Zeitpunkt der Veröffentlichung noch nicht festgelegt waren. Eine Auflistung der aktuellen Garantiebedingungen für Ihren Motor finden Sie unter **BRIGGSandSTRATTON.COM** oder wenden Sie sich an Ihren autorisierten Briggs & Stratton Service-Händler.

² Es besteht keine Garantie für Motoren von Geräten, die anstelle eines Stromversorgers für die Hauptstromversorgung verwendet werden, für Standby-Generatoren, die für gewerbliche Zwecke eingesetzt werden, für Nutzfahrzeuge mit einer Geschwindigkeit von mehr als 25 MPH oder für Motoren, die im Rennsport oder auf gewerblichen oder Mietstrecken eingesetzt werden.

* In Australien werden unsere Waren mit Garantien geliefert, die nach dem australischen Verbrauchergesetz nicht ausgeschlossen werden können. Bei erheblichen Fehlern haben Sie Anspruch auf Ersatz oder Erstattung sowie auf Schadensersatz bei weiteren angemessenen vorhersehbaren Verlusten oder Schäden. Darüber hinaus haben Sie Anspruch auf Reparatur oder Ersatz der Waren, falls diese nicht die zu erwartende Qualität aufweisen und der Defekt keinen erheblichen Fehler darstellt. Für Garantieleistungen finden Sie den nächstgelegenen autorisierten Händler auf unserer Händlersuchkarte unter BRIGGSandSTRATTON.COM oder telefonisch unter 1300 274 447, per E-Mail oder schriftlich an salesenquiries@briggsandstratton.com.au, Briggs & Stratton Australia Pty Ltd, 1 Moorebank Avenue, Moorebank, NSW, Australia, 2170.

Die Garantiezeit beginnt mit dem Datum des Kaufs durch den ersten Endverbraucher oder gewerblichen Endnutzer und gilt für den in der obigen Tabelle angegebenen Zeitraum. „Endverbraucher-Nutzung“ bedeutet die private Verwendung im eigenen Haushalt durch einen Einzelhandelskunden. „Gewerbliche Verwendung“ bedeutet alle anderen Verwendungszwecke, einschließlich gewerblicher Zwecke, Zwecke zum Erzielen eines Einkommens oder für Maschinenverleih. Sobald ein Motor einmal gewerblich eingesetzt worden ist, wird er für die Zwecke dieser Gewährleistung auch weiterhin als Motor für den gewerblichen Einsatz angesehen.

Für den Erhalt der Garantie auf Briggs & Stratton-Produkte ist keine Garantieregistrierung erforderlich. Bewahren Sie Ihren Kaufbeleg auf. Wenn Sie zum Zeitpunkt der Beantragung der Garantieleistung keinen Nachweis über das Datum des Erstkaufs erbringen, wird das Herstellungsdatum des Produkts zur Bestimmung der Garantiezeit herangezogen.

Zur Garantie

Diese Garantie deckt nur Material- und/oder Verarbeitungsschäden am Motor ab und nicht den Austausch oder die Rückerstattung für das Gerät, an dem der Motor installiert ist. Routinemäßige Wartungsarbeiten, Einstellungen oder normale Abnutzung sind nicht Gegenstand dieser Garantie. Die Garantie erlischt, wenn der Motor modifiziert oder die Seriennummer des Motors beschädigt oder entfernt wurde. Die Garantie deckt keine Motorschäden oder Leistungsprobleme ab, die durch Folgendes hervorgerufen werden:

1. Die Verwendung von Teilen, die keine Briggs & Stratton-Originalteile sind;
2. Den Betrieb von Motoren mit zu wenig oder verschmutztem Öl oder einer falschen Schmierölsorte;
3. Die Verwendung von verunreinigtem oder altem Kraftstoff, von Benzin mit einem Ethanolanteil von mehr als 10 % oder von alternativen Kraftstoffen wie Flüssiggas oder Erdgas in Motoren, die nicht ursprünglich von Briggs & Stratton für den Betrieb mit solchen Kraftstoffen entwickelt/hergestellt sind;
4. Schmutz, der durch unsachgemäße Wartung oder Wiedermontage des Luftfilters in den Motor gelangt ist;
5. Auftreffen eines Kreiselmäher-Schnittmessers auf einen harten Gegenstand, lose oder unsachgemäß installierte Messeradapter, Impeller oder andere, an die Kurbelwelle angekuppelte Vorrichtungen oder zu hohe Keilriemenspannung;
6. Dazugehörige Teile oder Baugruppen wie Kupplungen, Getriebe, Geräte Bedienelemente usw., die nicht von Briggs & Stratton stammen;
7. Überhitzung infolge der Blockierung der Kühlrippen oder des Schwungradbereichs durch geschnittenes Gras, Schmutz, Fremdkörper oder Nagetiernester oder durch den Betrieb des Motors bei ungenügender Belüftung;
8. Zu starke Vibration durch Überdrehen, lose Motormontage, lose oder ungleichmäßige Schnittmesser oder Impeller oder ein unsachgemäßes Ankuppeln von Gerätekomponenten an die Kurbelwelle;
9. Missbrauch, Mängel bei der Routine-Wartung, dem Transport, der Handhabung oder der Lagerung des Geräts oder unsachgemäße Motorinstallation.

Der Garantieservice ist nur über Vertragswerkstätten von Briggs & Stratton erhältlich. Finden Sie die nächstgelegene Vertragswerkstatt auf unserer Händlersuchkarte unter BRIGGSandSTRATTON.COM oder indem Sie die Telefonnummer 1-800-444-7774 anrufen (nur in USA).

80114782 (Überarbeitung A)

Γενικές πληροφορίες



Το παρόν εγχειρίδιο περιέχει τις πληροφορίες ασφαλείας σχετικά με τους κινδύνους και το ρίσκο που σχετίζονται με τον κινητήρα και τον τρόπο αποφυγής τους. Περιλαμβάνει επίσης τη σωστή λειτουργία και συντήρηση αυτού του κινητήρα. Είναι σημαντικό να διαβάσετε, να κατανοήσετε και να ακολουθείτε αυτές τις οδηγίες. **Φυλάξτε το παρόν εγχειρίδιο για μελλοντική αναφορά.**

ΣΗΜΕΙΩΣΗ: Τα σχήματα και οι εικόνες στο παρόν εγχειρίδιο παρέχονται μόνο για λόγους ενημέρωσης και μπορεί να διαφέρουν από το δικό σας μοντέλο. Χρησιμοποιήστε τις εικόνες που συμφωνούν με τη διαμόρφωση του κινητήρα σας. Εάν είναι απαραίτητο, απευθυνθείτε σε Εξουσιοδοτημένο αντιπρόσωπο σέρβις.

Καταγράψτε την ημερομηνία αγοράς, το μοντέλο του κινητήρα, τον τύπο, το επίπεδο εξοπλισμού και τον σειριακό αριθμό του κινητήρα για ανταλλακτικά. Οι αριθμοί αυτοί βρίσκονται στον κινητήρα σας. Ανατρέξτε στην ενότητα **Χαρακτηριστικά και χειριστήρια**.

Ημερομηνία αγοράς	
Μοντέλο κινητήρα - Τύπος - Κωδικός	
Σειριακός αριθμός κινητήρα	

Στοιχεία επικοινωνίας ευρωπαϊκού γραφείου

Για ερωτήσεις σχετικά με τις εκπομπές καυσαερίων στην Ευρώπη, επικοινωνήστε με το ευρωπαϊκό μας γραφείο στο:

Max-Born-Straße 2, 68519 Viernheim, Γερμανία.

Ευρωπαϊκή Ένωση (ΕΕ) φάσης V (5): Τιμές διοξειδίου του άνθρακα (CO2)

Εισάγετε CO2 στο παράθυρο αναζήτησης στο BriggsandStratton.com για να βρείτε τις τιμές διοξειδίου του άνθρακα των κινητήρων της Briggs & Stratton που διαθέτουν Πιστοποιητικό Έγκρισης Τύπου ΕΕ.

Ασφάλεια χειριστή

Σύμβολο συναγερμικής ειδοποίησης για θέματα ασφαλείας και προειδοποιητικές λέξεις



Το σύμβολο ειδοποίησης ασφαλείας προσδιορίζει πληροφορίες ασφαλείας σχετικά με τους κινδύνους που ενδέχεται να προκαλέσουν προσωπικό τραυματισμό. Μια προειδοποιητική λέξη (**ΚΙΝΔΥΝΟΣ**, **ΠΡΟΕΙΔΟΠΟΙΗΣΗ** ή **ΠΡΟΣΟΧΗ**) χρησιμοποιείται για να υποδείξει την πιθανότητα και την ενδεχόμενη σοβαρότητα τραυματισμού. Επιπλέον, χρησιμοποιείται ένα σύμβολο κινδύνου που υποδεικνύει τον τύπο του κινδύνου.

Η ένδειξη **ΚΙΝΔΥΝΟΣ** δηλώνει κίνδυνο ο οποίος, εάν δεν αποφευχθεί, **θα** προκαλέσει θάνατο ή σοβαρό τραυματισμό.

Η ένδειξη **ΠΡΟΕΙΔΟΠΟΙΗΣΗ** δηλώνει κίνδυνο ο οποίος, εάν δεν αποφευχθεί, **θα μπορούσε** να προκαλέσει θάνατο ή σοβαρό τραυματισμό.

Η ένδειξη **ΠΡΟΣΟΧΗ** δηλώνει κίνδυνο ο οποίος, εάν δεν αποφευχθεί, **θα μπορούσε** να προκαλέσει τραυματισμό μικρού ή μεσαίου βαθμού.

Η ένδειξη **ΕΠΙΣΗΜΑΝΣΗ** υποδεικνύει πληροφορίες που θεωρούνται σημαντικές αλλά δεν αφορούν σε κινδύνους.

Σύμβολα κινδύνου και τι σημαίνουν

Προειδοποίηση ασφαλείας για κινδύνους που ενδέχεται να οδηγήσουν σε τραυματισμό.	Πριν θέσετε σε λειτουργία τη μονάδα ή εκτελέσετε εργασίες συντήρησης, πρέπει να διαβάσετε και να εμπεδώσετε το εγχειρίδιο χειριστή.
Κίνδυνος πυρκαγιάς	Κίνδυνος έκρηξης
Κίνδυνος ηλεκτροπληξίας	Κίνδυνος λόγω τοξικών αερίων

Κίνδυνος από καυτή επιφάνεια	Κίνδυνος ανάδρασης
Κίνδυνος ακρωτηριασμού - Κινούμενα εξαρτήματα	Στάθμη καυσίμου - Μέγιστη Μη γεμίζετε υπερβολικά

Μηνύματα για θέματα ασφαλείας



ΠΡΟΕΙΔΟΠΟΙΗΣΗ

Οι κινητήρες της Briggs & Stratton® δεν έχουν σχεδιαστεί και δεν προορίζονται για να δίνουν ισχύ σε: αυτοκίνητα αναψυχής (fun-kart, go-kart), παιδικά αυτοκίνητάκια, οχήματα αναψυχής, πολυμορφικά οχήματα ή οχήματα παντός εδάφους (ATV), μοτοσικλές, αερόστρωμα οχήματα (χόβερκραφτ), αεροσκάφη ή αγωνιστικά οχήματα μη επιτρεπόμενα από την Briggs & Stratton. Για πληροφορίες σχετικά με τα αγωνιστικά προϊόντα, επισκεφθείτε τη σελίδα www.briggsracing.com. Για πολυμορφικά οχήματα και οχήματα παντός εδάφους και εκτός δρόμου, καλέστε το Κέντρο εφαρμογών ισχύος της Briggs & Stratton στον αριθμό 1-866-927-3349. Η εσφαλμένη χρήση του κινητήρα μπορεί να οδηγήσει σε σοβαρό τραυματισμό ή θάνατο.

Πληροφορίες για την ανακύκλωση



Ανακυκλώστε όλα τα χαρτοκιβώτια, τα κουτιά, το μεταχειρισμένο λάδι και τις μπαταρίες όπως ορίζεται από τους κρατικούς κανονισμούς.

Χαρακτηριστικά και χειριστήρια Χειριστήρια κινητήρα

Συγκρίνετε τα γράμματα επεξηγήσεων στις Εικόνες 1, 2 και 3 με τα χειριστήρια κινητήρα¹ στη λίστα που ακολουθεί:

- Αριθμοί ταυτότητας κινητήρα **Μοντέλο - Τύπος - Επίπεδο εξοπλισμού**
- Ντεπόζιτο καυσίμου και πώμα
- Φίλτρο αέρα, Τοποθέτηση ψηλά
- Φίλτρο αέρα, Τοποθέτηση χαμηλά
- Λαβή σχοινιού εκκίνησης
- Δείκτης στάθμης λαδιού, Επάνω
- Δείκτης στάθμης λαδιού, Κάτω (εάν υπάρχει)
- Οπή πλήρωσης λαδιού
- Πώμα αποστράγγισης λαδιού
- Σιγαστήρας, Προστατευτικό σιγαστήρα (εάν υπάρχει), Πλέγμα προφύλαξης από σπινθήρες (εάν υπάρχει)
- Ηλεκτρονικός έλεγχος γκαζιού (εάν υπάρχει)
- Έλεγχος λυχνίας κινητήρα (εάν υπάρχει)
- Κάλυμμα περιβλήματος φυσητήρα
- Διακόπτης με κλειδί (εάν υπάρχει)

¹ Ορισμένοι κινητήρες και εξοπλισμοί διαθέτουν τηλεχειρισμό. Ανατρέξτε στο εγχειρίδιο του εξοπλισμού για τη θέση και τη λειτουργία του τηλεχειριστηρίου.

Σύμβολα ελέγχου του κινητήρα και τι σημαίνουν

Ταχύτητα κινητήρα - ΓΡΗΓΟΡΑ	Ταχύτητα κινητήρα - ΑΡΓΑ
Κινητήρας - ΔΙΑΚΟΠΗ	Κινητήρας - ΕΝΑΡΞΗ
Κινητήρας - ΕΝΕΡΓΟΠΟΙΗΣΗ	

Λειτουργία



ΠΡΟΕΙΔΟΠΟΙΗΣΗ

Οι αναθυμιάσεις καυσίμου είναι εύφλεκτες και εκρηκτικές. Πυρκαγιά ή έκρηξη μπορεί να οδηγήσει σε εγκαύματα ή θάνατο.

Εάν μυρίσετε αέριο

- Μην θέτετε σε λειτουργία τον κινητήρα.
- Μην ενεργοποιείτε ηλεκτρικούς διακόπτες.
- Μη χρησιμοποιείτε τηλέφωνο στη γύρω περιοχή.
- Εκκενώστε την περιοχή.
- Επικοινωνήστε με την πυροσβεστική.

Κατά τη λειτουργία του εξοπλισμού

- Μη δίνετε κλίση στον κινητήρα ή στον εξοπλισμό σε γωνία τέτοια που να κάνει το καύσιμο να χυθεί.

Κατά τη μετακίνηση της θέσης του εξοπλισμού

- Βεβαιωθείτε ότι το ρεζερβουάρ καυσίμου είναι ΑΔΕΙΟ ή ότι η βαλβίδα διακοπής της παροχής καυσίμου, εάν υπάρχει, βρίσκεται στη θέση ΚΛΕΙΣΤΗ.

Ελέγξτε τη στάθμη του λαδιού

Πριν ελέγξετε ή προσθέσετε λάδι

- Βεβαιωθείτε ότι ο κινητήρας βρίσκεται σε οριζόντια θέση.
- Καθαρίστε την περιοχή λαδιού από τα ανεπιθύμητα υλικά.
- Ανατρέξτε στην ενότητα **Προδιαγραφές** για τη χωρητικότητα λαδιού.

ΕΠΙΣΗΜΑΝΣΗ

Ο κινητήρας αυτός αποστέλλεται από την Briggs & Stratton χωρίς λάδι. Οι κατασκευαστές του εξοπλισμού ή οι αντιπρόσωποι μπορεί να έχουν προσθέσει λάδι στον κινητήρα. Πριν ξεκινήσετε τον κινητήρα για πρώτη φορά, βεβαιωθείτε ότι το λάδι βρίσκεται στη σωστή στάθμη. Προσθέστε λάδι όπως καθορίζεται στις οδηγίες αυτού του εγχειριδίου. Εάν ξεκινήσετε τον κινητήρα χωρίς λάδι, θα προκληθεί ζημιά και η επισκευή του κινητήρα δεν θα καλυφθεί από την εγγύηση.

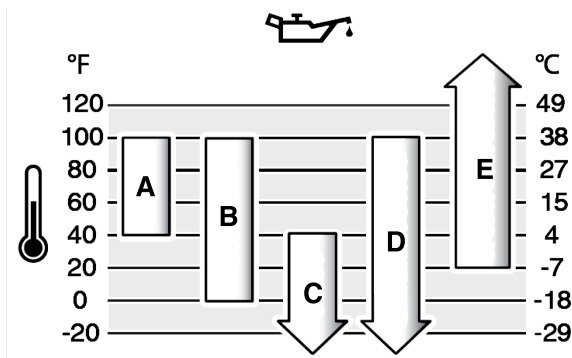
1. Αφαιρέστε τον δείκτη στάθμης λαδιού (A, B, C, Εικόνα 4). Χρησιμοποιήστε ένα πανί για να αφαιρέσετε το λάδι από τον δείκτη στάθμης (A, B, C).
2. Τοποθετήστε τον δείκτη στάθμης λαδιού (A, B, C, Εικόνα 4).
 - a. Δείκτης στάθμης λαδιού για τοποθέτηση χαμηλά, εάν υπάρχει (B, Εικόνα 4): Βεβαιωθείτε ότι τα σημάδια πλήρωσης λαδιού στον δείκτη στάθμης λαδιού (B) δείχνουν προς το επάνω μέρος του κινητήρα.
 - b. Κοντός δείκτης στάθμης λαδιού ή τάπα πλήρωσης δείκτη στάθμης λαδιού, εάν υπάρχει (C, Εικόνα 4): Περιστρέψτε και σφίξτε τον δείκτη στάθμης λαδιού (C).
3. Αφαιρέστε τον δείκτη στάθμης λαδιού ξανά (A, B, C, Εικόνα 4).
4. Ελέγξτε τη στάθμη του λαδιού. Βεβαιωθείτε ότι η στάθμη λαδιού βρίσκεται στο επάνω μέρος της ένδειξης πλήρους στάθμης (D, Εικόνα 4).
5. Εάν η στάθμη του λαδιού είναι χαμηλή, προσθέστε αργά λάδι σε ένα από τα σημεία πλήρωσης λαδιού του κινητήρα (E, F, Εικόνα 5). Μην προσθέτετε υπερβολική ποσότητα λαδιού.
6. Περιμένετε ένα λεπτό. Ελέγξτε ξανά τη στάθμη του λαδιού. Βεβαιωθείτε ότι η στάθμη λαδιού είναι σωστή.
7. Τοποθετήστε τον δείκτη στάθμης λαδιού (A, B, C, Εικόνα 4).

Συστάσεις για το λάδι

Χωρητικότητα λαδιού: Ανατρέξτε στην ενότητα **Προδιαγραφές**.

Σας συνιστούμε τη χρήση πιστοποιημένων λαδιών με την εγγύηση της Briggs & Stratton® για καλύτερη απόδοση. Άλλα απορρυπαντικά λάδια υψηλής ποιότητας επιτρέπονται εφόσον έχουν πιστοποιηθεί για χρήση SF, SG, SH, SJ ή υψηλότερη. Μην χρησιμοποιείτε ειδικά πρόσθετα.

Χρησιμοποιήστε τον πίνακα για να επιλέξετε το καλύτερο ιξώδες για το αναμενόμενο εύρος εξωτερικών θερμοκρασιών. Οι κινητήρες στους περισσότερους εξοπλισμούς παραγωγής ισχύος εξωτερικών χώρων λειτουργούν καλά με συνθετικό λάδι 5W-30. Για εξοπλισμό που χρησιμοποιείται σε υψηλές θερμοκρασίες, το συνθετικό λάδι Vanguard® 15W-50 παρέχει την καλύτερη προστασία.



A	SAE 30 - Σε θερμοκρασίες κάτω των 40 °F (4 °C), η χρήση SAE 30 θα έχει ως αποτέλεσμα τη δύσκολη εκκίνηση του κινητήρα.
B	10W-30 - Σε θερμοκρασίες άνω των 80 °F (27 °C), η χρήση 10W-30 θα έχει ως αποτέλεσμα την αυξημένη κατανάλωση λαδιού. Ελέγχετε συχνά τη στάθμη του λαδιού.
C	5W-30
D	Συνθετικό λάδι 5W-30
E	Συνθετικό λάδι Vanguard® 15W-50

Σύστημα προστασίας από χαμηλή στάθμη λαδιού (εάν υπάρχει)

Σε ορισμένους κινητήρες, υπάρχει ένας αισθητήρας χαμηλής στάθμης λαδιού. Εάν η στάθμη του λαδιού είναι χαμηλή, ο αισθητήρας θα εμφανίσει μια προειδοποιητική λυχνία ή θα διακοπεί η λειτουργία του κινητήρα. Διακόψτε τη λειτουργία του κινητήρα και διεξάγετε αυτά τα βήματα πριν την εκκίνηση του κινητήρα.

- Βεβαιωθείτε ότι ο κινητήρας βρίσκεται σε οριζόντια θέση.
- Κάντε έναν έλεγχο λαδιού. Ανατρέξτε στην ενότητα **Έλεγχος λαδιού**.
- Εάν η στάθμη του λαδιού είναι χαμηλή, προσθέστε τη σωστή ποσότητα λαδιού. Ξεκινήστε τον κινητήρα και βεβαιωθείτε ότι η προειδοποιητική λυχνία (εάν υπάρχει) δεν ανάβει.
- Εάν η στάθμη του λαδιού δεν είναι χαμηλή, μην ξεκινάτε τον κινητήρα. Απευθυνθείτε σε Εξουσιοδοτημένο αντιπρόσωπο σέρβις της Briggs & Stratton για να διορθώσει το πρόβλημα με το λάδι.

Συστάσεις για το καύσιμο

Το καύσιμο πρέπει να πληροί τις εξής απαιτήσεις:

- Να είναι καθαρή, φρέσκια, αμόλυβδη βενζίνη.
- Να έχει τουλάχιστον 87 οκτάνια/87 AKI (91 RON). Χρήση σε μεγάλο υψόμετρο, δείτε παρακάτω.
- Επιτρέπεται η βενζίνη με έως και 10% περιεκτικότητα σε αιθυλική αλκοόλη (βενζόλη).

ΕΠΙΣΗΜΑΝΣΗ

Μην χρησιμοποιείτε μη εγκεκριμένη βενζίνη, όπως E15 και E85. Μην αναμειγνύετε λάδι στη βενζίνη ούτε να τροποποιείτε τον κινητήρα για να μπορεί να λειτουργήσει με εναλλακτικά καύσιμα. Η χρήση μη εγκεκριμένων καυσίμων μπορεί να προκαλέσει ζημιά στα εξαρτήματα του κινητήρα, η επισκευή των οποίων δεν θα καλυφθεί από την εγγύηση.

Για να προστατεύσετε το σύστημα καυσίμου από τον σχηματισμό ρητινών και τη διάβρωση, εμπλουτίστε το καύσιμο με μείγμα σταθεροποιητή καυσίμου χωρίς αλκοόλη και αιθυλικής αλκοόλης. Ανατρέξτε στην ενότητα **Αποθήκευση**. Δεν είναι ίδια όλα τα καύσιμα. Εάν παρουσιαστούν προβλήματα στην εκκίνηση ή τις επιδόσεις του κινητήρα, αλλάξτε προμηθευτή ή μάρκα καυσίμου. Αυτός ο κινητήρας είναι πιστοποιημένος να λειτουργεί με βενζίνη. Το σύστημα ελέγχου εκπομπών για κινητήρες με καρμπυράτερ είναι το EM (Τροποποιησείς κινητήρα). Τα συστήματα ελέγχου εκπομπών για κινητήρες με ηλεκτρονική έγχυση καυσίμου είναι το ECM (Μονάδα ελέγχου καυσίμου), το MPI (Ψεκάσμος πολλαπλών σημείων), το TBI (Σώμα πεταλούδας ψεκάσμου καυσίμου) και, αν υπάρχει, O2S (Αισθητήρας οξυγόνου).

Μεγάλο υψόμετρο

Σε υψόμετρα πάνω από τα 5000 πόδια (1524 μέτρα), επιτρέπεται η βενζίνη τουλάχιστον 85 οκτανίων/85 AKI (89 RON).

Για να διατηρηθούν οι υψηλές επιδόσεις κινητήρων με καρμπυράτερ, απαιτείται ρύθμιση για μεγάλο υψόμετρο. Λειτουργία χωρίς τη συγκεκριμένη προσαρμογή θα μειώσει την απόδοση, θα αυξήσει την κατανάλωση του καυσίμου και την αύξηση των εκπομπών. Αν χρειαστείτε πληροφορίες σχετικά με τη ρύθμιση για μεγάλο υψόμετρο, αποταθείτε σε εξουσιοδοτημένο αντιπρόσωπο της Briggs & Stratton. Δεν ενδείκνυται η λειτουργία του κινητήρα σε υψόμετρα μικρότερα από 2.500 πόδια (762 μέτρα) με το kit για μεγάλα υψόμετρα.

Σε κινητήρες με σύστημα ηλεκτρονικής έγχυσης καυσίμου (EFI) δεν απαιτείται ρύθμιση για λειτουργία σε μεγάλο υψόμετρο.

Προσθέστε καύσιμο



ΠΡΟΕΙΔΟΠΟΙΗΣΗ

Το καύσιμο και οι αναθυμιάσεις είναι εύφλεκτες και εκρηκτικές. Πυρκαγιά ή έκρηξη μπορεί να οδηγήσει σε εγκαύματα ή θάνατο.

Κατά την προσθήκη καυσίμου

- Διακόψτε τη λειτουργία του κινητήρα. Πριν αφαιρέσετε την τάπα του ρεζερβουάρ καυσίμου, περιμένετε τουλάχιστον δύο (2) λεπτά για να βεβαιωθείτε ότι ο κινητήρας έχει κρυώσει.
 - Γεμίστε το ρεζερβουάρ καυσίμου σε εξωτερικό χώρο ή σε περιοχή με καλή ροή του αέρα.
 - Μη βάζετε υπερβολική ποσότητα καυσίμου στο ρεζερβουάρ. Για τη διαστολή του καυσίμου, μη γεμίζετε το ρεζερβουάρ καυσίμου πάνω από το κάτω μέρος του στομιού του.
 - Το καύσιμο πρέπει να μένει μακριά από σπινθήρες, ανοιχτές φλόγες, φώτα εναύσματος, πηγές θερμότητας και άλλες πηγές ανάφλεξης.
 - Ελέγχετε συχνά τις σωληνώσεις καυσίμου, το ρεζερβουάρ καυσίμου, την τάπα του ρεζερβουάρ και τις συνδέσεις για ρωγμές ή διαρροές. Αντικαθιστάτε τα κατεστραμμένα εξαρτήματα.
 - Εάν χυθεί καύσιμο, περιμένετε να στεγνώσει πριν θέσετε σε λειτουργία τον κινητήρα.
1. Καθαρίστε την τάπα του καυσίμου ώστε να μην υπάρχουν ακαθαρσίες και κατάλοιπα. Αφαιρέστε το πάμα του ντεπόζιτου καυσίμου.
 2. Γεμίστε το ρεζερβουάρ καυσίμου (Α, Εικόνα 6) με καύσιμο. Επειδή θα διασταλεί το καύσιμο, μη γεμίζετε το ρεζερβουάρ καυσίμου πάνω από το κάτω μέρος του στομιού του (Β).
 3. Επανατοποθετήστε την τάπα του καυσίμου.

Εκκίνηση του Κινητήρα



ΠΡΟΕΙΔΟΠΟΙΗΣΗ

ΚΙΝΔΥΝΟΣ ΔΗΛΗΤΗΡΙΩΔΟΥΣ ΑΕΡΙΟΥ. Τα αέρια που εκπέμπει ο κινητήρας περιέχουν μονοξείδιο του άνθρακα, ένα δηλητηριώδες αέριο το οποίο μπορεί να επιφέρει τον θάνατο μέσα σε λίγα λεπτά. Παρόλο που δεν μυρίζετε τα καυσαέρια, πάντα υπάρχει η πιθανότητα να εκτεθείτε σε επικίνδυνο μονοξείδιο του άνθρακα. Εάν νιώσετε ναυτία, ζαλάδα ή αδυναμία ενώ χρησιμοποιείτε αυτό το προϊόν, βγείτε ΑΜΕΣΩΣ έξω για να πάρετε καθαρό αέρα. Επισκεφθείτε γιατρό. Ενδέχεται να έχετε δηλητηριαστεί από μονοξείδιο του άνθρακα.

- Το αέριο μονοξείδιο του άνθρακα μπορεί να συσσωρευτεί σε κατειλημμένες περιοχές. Για να περιορίσετε τον κίνδυνο αερίου μονοξειδίου του άνθρακα, θέτετε σε λειτουργία αυτό το προϊόν ΜΟΝΟ σε εξωτερικό χώρο και μακριά από παράθυρα, πόρτες και αεραγωγούς.
- Τοποθετήστε ανιχνευτές μονοξειδίου του άνθρακα που λειτουργούν με μπαταρία ή εμβυσματούμενους ανιχνευτές μονοξειδίου του άνθρακα με εφεδρική μπαταρία, όπως καθορίζεται στις οδηγίες του κατασκευαστή. Οι ανιχνευτές καπνού δεν μπορούν να ανιχνεύσουν αέριο μονοξειδίου του άνθρακα.
- ΜΗ θέτετε σε λειτουργία αυτό το προϊόν μέσα σε σπίτια, γκαράζ, ψηλοτάβανα ή χαμηλοτάβανα υπόγεια, υπόστεγα ή άλλους κλειστούς χώρους, ακόμα και αν χρησιμοποιείτε ανεμιστήρες ή ανοίγετε τις πόρτες και τα παράθυρα για εξαερισμό. Μετά τη λειτουργία αυτού του προϊόντος, το μονοξείδιο του άνθρακα μπορεί γρήγορα να συσσωρευτεί σε αυτούς τους χώρους και να παραμείνει για ώρες.
- Τοποθετείτε ΠΑΝΤΑ το προϊόν αυτό στην υπήνεμη πλευρά και με την εξάτμιση του κινητήρα στραμμένη μακριά από χώρους όπου βρίσκονται άνθρωποι.



ΠΡΟΕΙΔΟΠΟΙΗΣΗ

Το καύσιμο και οι αναθυμιάσεις είναι εύφλεκτες και εκρηκτικές. Πυρκαγιά ή έκρηξη μπορεί να οδηγήσει σε εγκαύματα ή θάνατο.

Κατά την εκκίνηση του κινητήρα

- Βεβαιωθείτε ότι έχουν τοποθετηθεί σωστά το μπουζί, ο σιγαστήρας, η τάπα του ρεζερβουάρ καυσίμου και το φίλτρο αέρα (εφόσον υπάρχει).
- Μη θέτετε σε λειτουργία τον κινητήρα χωρίς το μπουζί.
- Εάν μπουκώσει ο κινητήρας, ρυθμίστε το τσοκ (εφόσον υπάρχει) στη θέση ΑΝΟΙΧΤΟ ή ΛΕΙΤΟΥΡΓΙΑ. Μετακινήστε το γκάζι (εφόσον υπάρχει) στη θέση ΓΡΗΓΟΡΑ και γυρίστε τον κινητήρα με τη μίζα μέχρι να πάρει μπροστά.
- Εάν υπάρχει διαρροή φυσικού αερίου ή υγραερίου στον χώρο, μην θέτετε σε λειτουργία τον κινητήρα.
- Επειδή οι αναθυμιάσεις είναι εύφλεκτες, μη χρησιμοποιείτε υγρά υπό πίεση για υποβοήθηση της εκκίνησης.

ΠΡΟΕΙΔΟΠΟΙΗΣΗ

Τα περιστρεφόμενα εξαρτήματα μπορούν να μαγκώσουν χέρια, πόδια, μαλλιά, ρούχα ή αξεσουάρ και να οδηγήσουν σε ακρωτηριασμό ή πρόκληση πληγής.

- Λειτουργείτε τον εξοπλισμό με σωστά τοποθετημένα περιβλήματα προστασίας.
- Κρατάτε τα χέρια και τα πόδια σας μακριά από τα περιστρεφόμενα εξαρτήματα.
- Αφαιρέστε τα κοσμήματα και κρατήστε τα μακριά μαλλιά μακριά από όλα τα περιστρεφόμενα εξαρτήματα.
- Μη φοράτε χαλαρά ρούχα ή αντικείμενα που μπορούν να σκαλώσουν.

ΠΡΟΕΙΔΟΠΟΙΗΣΗ

Η γρήγορη επαναφορά του σχοινιού εκκίνησης (κλώστση) θα τραβήξει το χέρι και τον βραχιόνά σας προς τον κινητήρα πριν προλάβετε να αφήσετε το σχοινί. Έτσι, ενδέχεται να υποστείτε κατάγματα, συντριπτικά κατάγματα, μώλωπες ή διαστρέμματα.

- Για να αποφύγετε το κλώστση κατά την εκκίνηση του κινητήρα, τραβήξτε το σχοινί εκκίνησης αργά έως ότου αισθανθείτε αντίσταση κα έπειτα τραβήξτε γρήγορα.
- Πριν ξεκινήσετε τον κινητήρα, αποσυνδέστε ή αφαιρέστε όλα τα εξωτερικά φορτία του εξοπλισμού και του κινητήρα.
- Βεβαιωθείτε ότι τα εξαρτήματα άμεσης ζεύξης του εξοπλισμού, όπως, μεταξύ άλλων, λεπίδες, πτερωτές, τροχαλίες και αλυσοτροχοί, έχουν συνδεθεί σωστά.

ΣΗΜΕΙΩΣΗ: Ο εξοπλισμός σας μπορεί να διαθέτει τηλεχειριστήρια. Ανατρέξτε στο εγχειρίδιο του εξοπλισμού για τη θέση και τη λειτουργία του τηλεχειριστήριων.

Ηλεκτρική Εκκίνηση

1. Ελέγξτε τη στάθμη του λαδιού. Ανατρέξτε στην ενότητα **Έλεγχος της στάθμης λαδιού**.
2. Αποσυνδέστε τα χειριστήρια μετάδοσης κίνησης στον εξοπλισμό, εάν υπάρχουν.
3. Μετακινήστε τον επιλογέα διακοπής της παροχής καυσίμου, εάν υπάρχει, στη θέση ΑΝΟΙΧΤΟΣ.
4. Στρέψτε τον διακόπτη με κλειδί (Α, Εικόνα 7) στη θέση ΕΝΑΡΞΗΣ.

ΕΠΙΣΗΜΑΝΣΗ Όταν αφήσετε τον διακόπτη με κλειδί (Α, Εικόνα 7), το κλειδί θα μετακινηθεί στη θέση ΕΝΕΡΓΟΠΟΙΗΣΗΣ. Ο κινητήρας θα συνεχίσει να γυρίζει με τη μίζα εκτός και αν ο κινητήρας ξεκινήσει. Για να ακυρώσετε την ακολουθία γυρίσματος με τη μίζα, στρέψτε τον διακόπτη με κλειδί (Α) στη θέση ΑΠΕΝΕΡΓΟΠΟΙΗΣΗΣ. Εάν ο κινητήρας δεν ξεκινά, εκτελέστε τα βήματα που ακολουθούν.

5. Βεβαιωθείτε ότι ο διακόπτης με κλειδί (Α, Εικόνα 7) έχει ρυθμιστεί στη θέση ΑΠΕΝΕΡΓΟΠΟΙΗΣΗΣ. Περιμένετε δύο δευτερόλεπτα.
6. Στρέψτε τον διακόπτη με κλειδί (Α, Εικόνα 7) στη θέση ΕΝΑΡΞΗΣ.
7. Εάν ο κινητήρας δεν ξεκινά, ακυρώστε την ακολουθία γυρίσματος με τη μίζα και απευθυνθείτε σε έναν Εξουσιοδοτημένο αντιπρόσωπο σέρβις της Briggs & Stratton.

Χειροκίνητη εκκίνηση

ΕΠΙΣΗΜΑΝΣΗ Η ηλεκτρική εκκίνηση είναι η προτεινόμενη μέθοδος για την εκκίνηση του κινητήρα σας.

1. Ελέγξτε τη στάθμη λαδιού του κινητήρα. Ανατρέξτε στην ενότητα **Έλεγχος της στάθμης λαδιού**.
2. Αποσυνδέστε τα χειριστήρια μετάδοσης κίνησης στον εξοπλισμό, εάν υπάρχουν.
3. Βεβαιωθείτε ότι ο κινητήρας είναι συνδεδεμένος σε φορτισμένη μπαταρία 12 βολτ.
4. Μετακινήστε τον επιλογέα διακοπής της παροχής καυσίμου, εάν υπάρχει, στη θέση ΑΝΟΙΧΤΟΣ.
5. Γυρίστε τον διακόπτη με κλειδί (Α, Εικόνα 8) στη θέση ΕΝΕΡΓΟΠΟΙΗΣΗΣ. Στη συνέχεια, τραβήξτε τη χειρολαβή του σχοινιού εκκίνησης (Β).

Διακοπή λειτουργίας του κινητήρα

1. Γυρίστε τον διακόπτη με κλειδί (Α, Εικόνα 7) στη θέση ΑΠΕΝΕΡΓΟΠΟΙΗΣΗΣ.
2. Αφαιρέστε το κλειδί. Φυλάξτε το σε ασφαλές μέρος μακριά από τα παιδιά.
3. Μετά τη διακοπή λειτουργίας του κινητήρα, μετακινήστε τον επιλογέα διακοπής της παροχής καυσίμου, εάν υπάρχει, στη θέση ΚΛΕΙΣΤΟΣ.

Λυχνία ελέγχου κινητήρα

Η λυχνία ελέγχου κινητήρα (Β, Εικόνα 7) σηματοδοτεί ένα πρόβλημα με τον κινητήρα. Εάν η λυχνία ελέγχου κινητήρα ανάψει κατά τη λειτουργία του κινητήρα, μιλήστε με τον εξουσιοδοτημένο αντιπρόσωπο σέρβις της Briggs & Stratton για την επίλυση του προβλήματος το συντομότερο δυνατό ή όταν τελειώσετε την εργασία σας. Εάν η λυχνία ελέγχου κινητήρα ανάψει και σταματήσει αυτόματα ο κινητήρας, ακολουθήστε τα παρακάτω βήματα:

1. Βεβαιωθείτε ότι ο κινητήρας βρίσκεται σε οριζόντια θέση.
2. Κάντε έναν έλεγχο λαδιού. Ανατρέξτε στην ενότητα **Έλεγχος λαδιού**.
3. Θέστε τον κινητήρα σε λειτουργία. Ανατρέξτε στην ενότητα **Εκκίνηση του κινητήρα**.

4. Αν η λυχνία ελέγχου κινητήρα παραμείνει αναμμένη και ο κινητήρας συνεχίσει να σταματά αυτόματα, μην τον χρησιμοποιείτε. Μιλήστε αμέσως με έναν εξουσιοδοτημένο αντιπρόσωπο σέρβις της Briggs & Stratton, για να διορθωθεί το πρόβλημα.

Συντήρηση

Πληροφορίες για τη συντήρηση

ΠΡΟΕΙΔΟΠΟΙΗΣΗ

Το καύσιμο και οι αναθυμιάσεις είναι εύφλεκτες και εκρηκτικές. Πυρκαγιά ή έκρηξη μπορεί να οδηγήσει σε εγκαύματα ή θάνατο.

Κατά τη συντήρηση, εάν είναι απαραίτητο να γείρετε τη μονάδα, βεβαιωθείτε ότι το ρεζερβουάρ καυσίμου, αν είναι τοποθετημένο στον κινητήρα, είναι άδειο και ότι η πλευρά με το μπουζί βρίσκεται προς τα πάνω. Εάν το ρεζερβουάρ καυσίμου δεν είναι άδειο, μπορεί να προκληθεί διαρροή που να οδηγήσει σε πυρκαγιά ή έκρηξη. Εάν ο κινητήρας έχει κλίση προς διαφορετική κατεύθυνση, δεν θα ξεκινήσει εύκολα λόγω ρύπανσης του φίλτρου αέρα ή του μπουζί με λάδι ή καύσιμο.

ΠΡΟΕΙΔΟΠΟΙΗΣΗ

Ο τυχαίος σπινθήρας του κινητήρα μπορεί να προκαλέσει ηλεκτροπληξία, πυρκαγιά ή έκρηξη και μπορεί να οδηγήσει σε εμπλοκή, ακρωτηριασμό ή τραυματισμό.

Πριν κάνετε ρυθμίσεις ή επισκευές:

- Αποσυνδέστε όλα τα καλώδια των μπουζί και απομακρύνετε τα από τα μπουζί.
- Αποσυνδέστε το καλώδιο της μπαταρίας από τον αρνητικό ακροδέκτη της (μόνο κινητήρες με ηλεκτρική εκκίνηση).
- Χρησιμοποιείτε μόνο τα σωστά εργαλεία.

Όταν ελέγχετε για σπινθήρα:

- Χρησιμοποιήστε ένα εγκεκριμένο εργαλείο ελέγχου για μπουζί.
- Μην ελέγχετε για σπινθήρα ενώ έχετε αφαιρέσει το μπουζί.

ΠΡΟΕΙΔΟΠΟΙΗΣΗ

Τα ανταλλακτικά πρέπει να είναι ίδια με τα γνήσια εξαρτήματα και να τοποθετούνται στην ίδια θέση με τα αρχικά εξαρτήματα. Άλλα εξαρτήματα ενδέχεται να προκαλέσουν ζημιά ή τραυματισμό.

ΕΠΙΣΗΜΑΝΣΗ

Όλα τα εξαρτήματα που χρησιμοποιούνται για την κατασκευή αυτού του κινητήρα πρέπει να παραμείνουν στη θέση τους για να εξασφαλιστεί η σωστή λειτουργία.

Απευθυνθείτε σε Εξουσιοδοτημένο αντιπρόσωπο σέρβις της Briggs & Stratton για κάθε εργασία συντήρησης και σέρβις του κινητήρα και των εξαρτημάτων του.

Σέρβις συστήματος ελέγχου εκπομπών

Για τη συντήρηση, αντικατάσταση ή επισκευή των διατάξεων και συστημάτων ελέγχου εκπομπών, απευθυνθείτε σε εξειδικευμένο συνεργείο για επισκευές κινητήρων εκτός δρόμου ή σε τεχνικό σέρβις. Ωστόσο, τις εργασίες συντήρησης του συστήματος ελέγχου εκπομπών «χωρίς επιβάρυνση» πρέπει να αναλαμβάνει εξουσιοδοτημένος αντιπρόσωπος του κατασκευαστή. Ανατρέξτε στις Δηλώσεις για το Σύστημα Ελέγχου Εκπομπών.

Πρόγραμμα συντήρησης

Πρώτες 5 ώρες
<ul style="list-style-type: none"> Αλλάξτε το λάδι.
Διαλείμματα 8 ωρών ή ημερησίως
<ul style="list-style-type: none"> Ελέγξτε τη στάθμη λαδιού του κινητήρα. Καθαρίστε την περιοχή γύρω από τον σιγαστήρα. Καθαρίστε τη σχάρα αναρρόφησης αέρα.
Διαλείμματα 100 ωρών ή ετησίως
<ul style="list-style-type: none"> Κάντε έλεγχο του συστήματος εξάτμισης.
Διαστήματα 200 ωρών ή ετησίως
<ul style="list-style-type: none"> Αλλαγή λαδιού κινητήρα. Καθαρισμός του φίλτρου αέρα¹
Διαστήματα 600 ωρών ή 2 ετών
<ul style="list-style-type: none"> Αντικαταστήστε το φίλτρο αέρα. Αντικαταστήστε το φίλτρο καυσίμου¹

Ετησίως

- Αντικαταστήστε το μπουζί.
- Κάντε σέρβις του συστήματος καυσίμου.
- Κάντε σέρβις του συστήματος ψύξης¹.
- Ελέγξτε το διάκενο των βαλβίδων².

¹Καθαρίζετε συχνότερα όταν υπάρχει σκόνη ή όταν βρίσκονται πολλά σωματίδια στον αέρα.

²Δεν είναι απαραίτητο εκτός και αν προκύψουν προβλήματα στον κινητήρα.

Ηλεκτρονικό σύστημα έγχυσης καυσίμου (EFI)

Το σύστημα EFI παρακολουθεί τη θερμοκρασία και την ταχύτητα του κινητήρα, αλλά και την τάση της μπαταρίας για την εκκίνηση της λειτουργίας και τη θέρμανση του κινητήρα. Δεν υπάρχει δυνατότητα ρύθμισης του συστήματος. Εάν διαπιστωθεί κάποιο πρόβλημα με την εκκίνηση της λειτουργίας ή με τη λειτουργία του κινητήρα, επικοινωνήστε με εξουσιοδοτημένο αντιπρόσωπο σέρβις της Briggs & Stratton.

ΕΠΙΣΗΜΑΝΣΗ Βεβαιωθείτε ότι τηρείτε τα παρακάτω βήματα. Διαφορετικά, το σύστημα EFI μπορεί να υποστεί βλάβη.

- ΜΗΝ θέτετε σε λειτουργία τον κινητήρα εάν τα καλώδια της μπαταρίας δεν είναι καλά συνδεδεμένα.
- Προτού αποσυνδέσετε, αφαιρέσετε ή / και εγκαταστήσετε τη μπαταρία, φέрте το κλειδί στη θέση ΑΠΕΝΕΡΓΟΠΟΙΗΣΗ.
- ΜΗΝ χρησιμοποιείτε φορτιστή μπαταρίας για να θέσετε σε λειτουργία τον κινητήρα.
- ΜΗΝ αποσυνδέσετε τα καλώδια της μπαταρίας κατά τη διάρκεια λειτουργίας του κινητήρα.
- Όταν συνδέετε τα καλώδια της μπαταρίας, συνδέστε πρώτα το θετικό (+) και μετά το αρνητικό (-) καλώδιο στη μπαταρία.
- Κατά τη φόρτιση της μπαταρίας, φέрте τον διακόπτη ανάφλεξης στη θέση ΑΠΕΝΕΡΓΟΠΟΙΗΣΗ και αποσυνδέστε το αρνητικό καλώδιο (-) από τη μπαταρία.
- ΜΗΝ ψεκάζετε νερό απευθείας στο στοιχείο ηλεκτρονικού ελέγχου.

Διεξαγωγή εργασιών συντήρησης στο μπουζί

Ελέγξτε το διάκενο μπουζί (Α, Εικόνα 9) με διακονόμετρο (Β). Εάν χρειάζεται, ρυθμίστε το διάκενο του μπουζί. Τοποθετήστε και σφίξτε το μπουζί σύμφωνα με τη σωστή ροπή. Για τις προδιαγραφές του διακονόμετρου και της ροπής, ανατρέξτε στην ενότητα **Προδιαγραφές**.

Για να αποκτήσετε πρόσβαση στο μπουζί, βεβαιωθείτε ότι ο κινητήρας είναι ρυθμισμένος στη θέση ΑΠΕΝΕΡΓΟΠΟΙΗΣΗ. Αποσυνδέστε το καλώδιο του μπουζί (D, Εικόνα 10) και κρατήστε το μακριά από το μπουζί (E).

Σε μερικά μοντέλα EFI-ETC, πρέπει να αφαιρέσετε τη θερμική ασπίδα για να αποκτήσετε πρόσβαση στο μπουζί. Ακολουθήστε τα παρακάτω βήματα για να αποκτήσετε πρόσβαση στο μπουζί.

- Απασφαλίστε την κόκκινη γλωττίδα (Α, Εικόνα 11) από τον συνδετήρα (Β).
- Σπρώξτε τη μαύρη γλωττίδα (C, Εικόνα 11) ενώ τραβάτε τον συνδετήρα (Β) για να βγει από το πηνίο ανάφλεξης (D).
- Αφαιρέστε τη βαλβίδα ακαθαρσιών (E, Εικόνα 11).
- Αφαιρέστε την επάνω βίδα (F, Εικόνα 11) και την πλαϊνή βίδα (G) από το στήριγμα (H).
- Αφαιρέστε τη θερμική ασπίδα (H, Εικόνα 11).
- Αφαιρέστε το πηνίο ανάφλεξης (D, Εικόνα 11).
- Αντικαταστήστε το μπουζί (I, Εικόνα 12).
- Τοποθετήστε το πηνίο ανάφλεξης (D, Εικόνα 11).
- Τοποθετήστε το στήριγμα (H, Εικόνα 11).
- Τοποθετήστε την επάνω βίδα (F, Εικόνα 11) και την πλαϊνή βίδα (G) στο στήριγμα (H).
- Τοποθετήστε τη βαλβίδα ακαθαρσιών (E, Εικόνα 11).
- Τοποθετήστε τον συνδετήρα (B, Εικόνα 11) στο πηνίο ανάφλεξης (D).
- Ασφαλίστε την κόκκινη γλωττίδα (Α, Εικόνα 11).

Συντήρηση συστημάτων εξάτμισης και ψύξης



ΠΡΟΕΙΔΟΠΟΙΗΣΗ

Κατά τη λειτουργία, ο κινητήρας και ο σιγαστήρας ζεσταίνονται. Εάν αγγίξετε έναν ζεστό κινητήρα, μπορεί να προκληθούν θερμικά εγκαύματα.

Τα καύσιμα υλικά, όπως φύλλα, γρασιδί και θάμνοι, μπορούν να πάρουν φωτιά.

- Πριν αγγίξετε τον κινητήρα ή τον σιγαστήρα, σταματήστε τον κινητήρα και περιμένετε δύο (2) λεπτά. Βεβαιωθείτε ότι είναι ασφαλές να αγγίξετε τον κινητήρα και τον σιγαστήρα.
- Απομακρύνετε τα απόβλητα από τον σιγαστήρα και τον κινητήρα.

Η χρήση ή η λειτουργία του κινητήρα σε δασώδη, χλωώδη ή θαμνώδη άγρια περιοχή συνιστά παράβαση της Ενότητας 4442 του Κώδικα περί Φυσικών Πόρων της Καλιφόρνιας, εκτός εάν το σύστημα εξάτμισης διαθέτει πλέγμα προφύλαξης από σπινθήρες που διατηρείται σε καλή λειτουργική κατάσταση, όπως ορίζεται στην Ενότητα 4442. Η δικαιοδοσία άλλων πολιτειών ή άλλες ομοσπονδιακές δικαιοδοσίες ενδέχεται να έχουν παρόμοιους νόμους. Ανατρέξτε στον Ομοσπονδιακό Κανονισμό 36 CFR Μέρος 261.52. Για να προμηθευτείτε πλέγμα προστασίας από σπινθήρες το οποίο είναι σχεδιασμένο για το σύστημα εξάτμισης που υπάρχει εγκατεστημένο στον συγκεκριμένο κινητήρα, αποταθείτε στον αρχικό κατασκευαστή του εξοπλισμού.

Ο κινητήρας αυτός είναι αερόψυκτος. Οι ακαθαρσίες ή το ανεπιθύμητο υλικό μπορούν να εμποδίσουν τη ροή του αέρα και να προκαλέσουν αύξηση της θερμοκρασίας του κινητήρα. Κάτι τέτοιο οδηγεί σε μη ικανοποιητική απόδοση και μειώνει τη διάρκεια ζωής του κινητήρα. Τα πτερύγια ψύξης κυλίνδρου μπορούν να συλλέξουν ανεπιθύμητο υλικό που δεν μπορεί να απομακρυνθεί χωρίς μερική αποσυναρμολόγηση του κινητήρα. Βεβαιωθείτε ότι ένας Εξουσιοδοτημένος αντιπρόσωπος σέρβις της Briggs & Stratton επιθεωρεί και καθαρίζει το σύστημα ψύξης αέρα. Ανατρέξτε στην ενότητα **Πρόγραμμα συντήρησης**.

1. Βεβαιωθείτε ότι δεν υπάρχουν εύφλεκτα υλικά γύρω και πίσω από τον σιγαστήρα.
2. Χρησιμοποιήστε μια βούρτσα ή ένα στεγνό πανί για να απομακρύνετε όλο το ανεπιθύμητο υλικό από το κάλυμμα περιβλήματος του φυσητήρα, τον σιγαστήρα και την περιοχή του κυλίνδρου. ΜΗ χρησιμοποιείτε νερό για να καθαρίσετε τον κινητήρα.
3. Βεβαιωθείτε ότι η συνδεσμολογία, τα ελατήρια και τα χειριστήρια είναι καθαρά.
4. Επιθεωρήστε τον σιγαστήρα για ρωγμές, διάβρωση ή άλλες ζημιές.
5. Αφαιρέστε τον εκτροπέα ή τη φλογοπαγίδα, εάν υπάρχει, και ελέγξτε για ζημιές ή εμφραγή από άνθρακα. Βεβαιωθείτε ότι έχετε καθαρίσει ή εγκαταστήσει τα ανταλλακτικά προτού θέσετε σε λειτουργία τον εξοπλισμό.
6. Βεβαιωθείτε ότι τα πτερύγια του ψύκτη λαδιού, εφόσον είναι εγκατεστημένοι, είναι καθαρά.

Αλλαγή λιπαντικού κινητήρα



ΠΡΟΕΙΔΟΠΟΙΗΣΗ

Το καύσιμο και οι αναθυμιάσεις είναι εύφλεκτες και εκρηκτικές. Πυρκαγιά ή έκρηξη μπορεί να οδηγήσει σε εγκαύματα ή θάνατο.

Κατά τη λειτουργία, ο κινητήρας και ο σιγαστήρας ζεσταίνονται. Εάν αγγίξετε έναν ζεστό κινητήρα, μπορεί να προκληθούν θερμικά εγκαύματα.

- Εάν αποστραγγίσετε το λάδι από τον επάνω σωλήνα πλήρωσης λαδιού, το ρεζερβουάρ καυσίμου πρέπει να είναι άδειο. Εάν δεν είναι άδειο, μπορεί να προκληθεί διαρροή καυσίμου που να οδηγήσει σε πυρκαγιά ή έκρηξη.
- Πριν αγγίξετε τον κινητήρα ή τον σιγαστήρα, σταματήστε τον κινητήρα και περιμένετε δύο (2) λεπτά. Βεβαιωθείτε ότι είναι ασφαλές να αγγίξετε τον κινητήρα και τον σιγαστήρα.

Το μεταχειρισμένο λάδι είναι επικίνδυνο απόβλητο και πρέπει να απορρίπτεται σωστά. Μην το απορρίπτετε στον κάδο οικιακών απορριμμάτων. Επικοινωνήστε με τις τοπικές αρχές, το συνεργείο ή τον αντιπρόσωπο για την ασφαλή απόρριψη ή για εγκαταστάσεις ανακύκλωσης.

Άδειασμα λαδιού

1. Με τον κινητήρα σε ΑΠΕΝΕΡΓΟΠΟΙΗΣΗ και ενώ είναι ζεστός, αποσυνδέστε το καλώδιο του μπουζι (D, Εικόνα 10) και κρατήστε το μακριά από το μπουζι (E). Για τα μοντέλα κινητήρων που διαθέτουν θερμική ασπίδα (Εικόνα 11), αποσυνδέστε το καλώδιο του μπουζι ως εξής:
 - a. Απασφαλίστε την κόκκινη γλωπίδα (A, Εικόνα 11) από τον συνδετήρα (B).
 - b. Σπρώξτε τη μαύρη γλωπίδα (C, Εικόνα 11) ενώ τραβάτε τον συνδετήρα (B) για να βγει από το πηνίο (D).
2. Αφαιρέστε τον δείκτη στάθμης λαδιού (A, B, C, Εικόνα 4).
3. Αφαιρέστε ένα από τα πώματα αποστράγγισης λαδιού (F, G, Εικόνα 13). Αδειάστε το λάδι σε συγκεκριμένο δοχείο.
4. Τοποθετήστε και σφίξτε το πώμα αποστράγγισης λαδιού (F, G, Εικόνα 13).

Προσθήκη λαδιού

- Βεβαιωθείτε ότι ο κινητήρας βρίσκεται σε οριζόντια θέση.

- Καθαρίστε την περιοχή πλήρωσης λαδιού από όλα τα ανεπιθύμητα υλικά.
- Ανατρέξτε στην ενότητα **Προδιαγραφές** για τη χωρητικότητα λαδιού.

1. Αφαιρέστε τον δείκτη στάθμης λαδιού (A, B, C, Εικόνα 4).
2. Προσθέστε αργά λάδι μέσα σε ένα από τα σημεία πλήρωσης λαδιού του κινητήρα (E, F, Εικόνα 5). Μην προσθέτετε υπερβολική ποσότητα λαδιού.
3. Τοποθετήστε τον δείκτη στάθμης λαδιού (A, B, C, Εικόνα 4).
 - a. Επιμήκης δείκτης στάθμης, εάν υπάρχει (B, Εικόνα 4): Βεβαιωθείτε ότι τα σημάδια πλήρωσης λαδιού στον δείκτη στάθμης λαδιού (B) δείχνουν προς το επάνω μέρος του κινητήρα.
 - b. Κοντός δείκτης στάθμης λαδιού ή τάπα πλήρωσης δείκτη στάθμης λαδιού, εάν υπάρχει (C, Εικόνα 4): Περιστρέψτε και σφίξτε τον δείκτη στάθμης (C).
4. Αφαιρέστε τον δείκτη στάθμης λαδιού (A, B, C, Εικόνα 4) ξανά.
5. Ελέγξτε τη στάθμη του λαδιού. Βεβαιωθείτε ότι η σωστή στάθμη λαδιού βρίσκεται στο επάνω μέρος της ένδειξης πλήρους στάθμης (D, Εικόνα 4).
6. Τοποθετήστε τον δείκτη στάθμης λαδιού ξανά (A, B, C, Εικόνα 4).
7. Συνδέστε το καλώδιο του μπουζι (D, 10) στο μπουζι (E). Για τα μοντέλα κινητήρων που διαθέτουν θερμική ασπίδα (Εικόνα 11), συνδέστε το καλώδιο του μπουζι ως εξής:
 - a. Τοποθετήστε τον συνδετήρα (B, Εικόνα 11).
 - b. Ασφαλίστε την κόκκινη γλωπίδα (A, Εικόνα 11).

Εκτέλεση εργασιών συντήρησης στο φίλτρο αέρα



ΠΡΟΕΙΔΟΠΟΙΗΣΗ

Οι αναθυμιάσεις καυσίμου είναι εύφλεκτες και εκρηκτικές. Πυρκαγιά ή έκρηξη μπορεί να οδηγήσει σε εγκαύματα ή θάνατο.

- Μην ξεκινάτε και μη θέσετε σε λειτουργία τον κινητήρα όταν έχει αφαιρεθεί το συγκρότημα του φίλτρου αέρα (εφόσον υπάρχει) ή το φίλτρο αέρα (εάν υπάρχει).

ΕΠΙΣΗΜΑΝΣΗ

Μην χρησιμοποιείτε πεπιεσμένο αέρα ή διαλύτες για να καθαρίσετε το φίλτρο. Ο πεπιεσμένος αέρας μπορεί να προκαλέσει ζημιά στο φίλτρο, ενώ οι διαλύτες θα το διαλύσουν.

Ανατρέξτε στο **Πρόγραμμα συντήρησης** για τις απαιτήσεις σέρβις.

Διαφορετικά μοντέλα θα χρησιμοποιήσουν φίλτρο από αφρώδες υλικό ή χαρτί. Ορισμένα μοντέλα μπορεί επίσης να διαθέτουν προαιρετικό προφίλτρο, το οποίο μπορείτε να καθαρίσετε και να χρησιμοποιήσετε ξανά. Συγκρίνετε τις εικόνες αυτού του εγχειριδίου με τον τύπο φίλτρου που είναι εγκατεστημένος στον κινητήρα σας και ξεκινήστε το σέρβις όπως περιγράφεται στη συνέχεια.

Χάρτινο φίλτρο αέρα

1. Ξεσφίξτε τον(ους) συνδετήρα(ες) (C, Εικόνα 14).
2. Αφαιρέστε το κάλυμμα (A, Εικόνα 14) και το φίλτρο (B).
3. Για να απομακρύνετε τα υπολείμματα, χτυπήστε ελαφρά το φίλτρο (B, Εικόνα 14) σε σκληρή επιφάνεια. Εάν το φίλτρο είναι λερωμένο, αντικαταστήστε το με καινούριο.
4. Τοποθετήστε το φίλτρο αέρα (B, Εικόνα 14).
5. Τοποθετήστε το κάλυμμα (A, Εικόνα 14) με τον(ους) συνδετήρα(ες) (C). Βεβαιωθείτε ότι ο(οι) συνδετήρας(ες) είναι σφικτός(οι).

Χάρτινο φίλτρο αέρα - Μικρής διατομής

1. Μετακινήστε τον γάντζο (A, Εικόνα 15) για να απασφαλίσετε το κάλυμμα (C).
2. Πιέστε προς τα μέσα τις γλωπίδες (B, Εικόνα 15) και αφαιρέστε το κάλυμμα (C).
3. Αφαιρέστε το φίλτρο (D, Εικόνα 15).
4. Για να απομακρύνετε τα υπολείμματα, χτυπήστε ελαφρά το φίλτρο (D, Εικόνα 15) πάνω σε μια σκληρή επιφάνεια. Εάν το φίλτρο είναι λερωμένο, αντικαταστήστε το με καινούριο.
5. Τοποθετήστε το φίλτρο (D, Εικόνα 15).
6. Τοποθετήστε το κάλυμμα (C, Εικόνα 15). Μετακινήστε τον γάντζο (A) στη θέση ασφάλισης.

ΣΗΜΕΙΩΣΗ: Ελέγξτε την εφαρμογή της τσιμούχας από αφρώδες υλικό (E, Εικόνα 15). Βεβαιωθείτε ότι η περιμετρική τσιμούχα από αφρώδες υλικό είναι σωστά τοποθετημένη στο κανάλι (F).

Συντήρηση συστήματος καυσίμου



ΠΡΟΕΙΔΟΠΟΙΗΣΗ

Το καύσιμο και οι αναθυμιάσεις είναι εύφλεκτες και εκρηκτικές. Πυρκαγιά ή έκρηξη μπορεί να οδηγήσει σε εγκαύματα ή θάνατο.

- Το καύσιμο πρέπει να μένει μακριά από σπινθήρες, ανοιχτές φλόγες, φώτα εναύσματος, πηγές θερμότητας και άλλες πηγές ανάφλεξης.
- Ελέγχετε συχνά τις σωληνώσεις καυσίμου, το ρεζερβουάρ καυσίμου, την τάπα του ρεζερβουάρ και τις συνδέσεις για ρωγμές ή διαρροές. Αντικαθιστάτε τα κατεστραμμένα εξαρτήματα.
- Εάν χυθεί καύσιμο, περιμένετε να στεγνώσει πριν θέσετε σε λειτουργία τον κινητήρα.

Φίλτρο καυσίμου, εάν υπάρχει

1. Προτού αντικαταστήσετε το φίλτρο καυσίμου (Α, Εικόνα 16), αποστραγγίστε το ρεζερβουάρ καυσίμου ή κλείστε τη βαλβίδα διακοπής της παροχής καυσίμου. Εάν δεν αποστραγγίσετε το ρεζερβουάρ καυσίμου, το καύσιμο μπορεί να διαρρέυσει και να προκαλέσει πυρκαγιά ή έκρηξη.
2. Πιέστε τις γλωττίδες (Β, Εικόνα 16) στους σφικτήρες (C) με πένα. Απομακρύνετε τους σφικτήρες από το φίλτρο καυσίμου (Α).
3. Συστρέψτε και απομακρύνετε τις σωληνώσεις καυσίμου (D, Εικόνα 16) από το φίλτρο καυσίμου.
4. Επιθεωρήστε τις γραμμές καυσίμου (D, Εικόνα 16) για ρωγμές ή διαρροές. Εάν είναι απαραίτητο, αντικαταστήστε τις σωληνώσεις καυσίμου.
5. Αντικαταστήστε το φίλτρο καυσίμου (Α, Εικόνα 16).
6. Ενώστε τις σωληνώσεις καυσίμου (D, Εικόνα 16) με σφικτήρες (C).

Φίλτρο καυσίμου, εάν υπάρχει

1. Αφαιρέστε το πύμα νεπόζιτου καυσίμου (Α, Εικόνα 17).
2. Αφαιρέστε το φίλτρο καυσίμου (Β, Εικόνα 17).
3. Εάν το φίλτρο είναι βρόμικο, καθαρίστε ή αντικαταστήστε το. Εάν αντικαταστήσετε το φίλτρο καυσίμου, βεβαιωθείτε ότι χρησιμοποιείτε γνήσιο ανταλλακτικό.

Αποθήκευση Σύστημα καυσίμου

Ανατρέξτε στην Εικόνα: 18.



ΠΡΟΕΙΔΟΠΟΙΗΣΗ

Το καύσιμο και οι αναθυμιάσεις είναι εύφλεκτες και εκρηκτικές. Πυρκαγιά ή έκρηξη μπορεί να οδηγήσει σε εγκαύματα ή θάνατο.

Αποθήκευση καυσίμου

- Επειδή οι ενδεικτικές λυχνίες ή άλλες πηγές ανάφλεξης μπορούν να προκαλέσουν εκρήξεις, κρατάτε το καύσιμο ή τον εξοπλισμό μακριά από καμίνους, θερμάστρες, θερμοσίφωνες ή άλλες συσκευές που διαθέτουν ενδεικτικές λυχνίες.

Κρατήστε τον κινητήρα σε οριζόντια θέση στην κανονική θέση λειτουργίας. Γεμίστε το ρεζερβουάρ καυσίμου (Α, Εικόνα 18) με καύσιμο. Για τη διαστολή του καυσίμου, μη γεμίζετε το ρεζερβουάρ καυσίμου πάνω από το στόμιο του (Β).

Το καύσιμο μπορεί να ξεθυμάνει όταν διατηρείται σε δοχείο αποθήκευσης για περισσότερο από 30 ημέρες. Συνιστάται σταθεροποιητής καυσίμου χωρίς αλκοόλη και εμπλουτισμός με αιθυλική αλκοόλη για το δοχείο αποθήκευσης καυσίμου. Έτσι, το καύσιμο διατηρείται φρέσκο και μειώνονται τα προβλήματα που σχετίζονται με το καύσιμο ή τη ρύπανση στο σύστημα καυσίμου.

Όταν γεμίζετε το δοχείο με καύσιμο, προσθέστε έναν σταθεροποιητή καυσίμου χωρίς αλκοόλη, σύμφωνα με τις καθορισμένες οδηγίες. Εάν η βενζίνη στον κινητήρα δεν έχει υποστεί επεξεργασία με σταθεροποιητή καυσίμου, πρέπει να αποστραγγιστεί σε εγκεκριμένο δοχείο. Λειτουργήστε τον κινητήρα μέχρι να τελειώσει το καύσιμο.

Λιπαντικό κινητήρα

Αλλάζετε το λάδι του κινητήρα όταν ο κινητήρας είναι ακόμη ζεστός. Ανατρέξτε στην ενότητα **Αλλαγή του λαδιού κινητήρα**.

Αντιμετώπιση προβλημάτων Βοήθεια

Για βοήθεια, απευθυνθείτε στον τοπικό σας αντιπρόσωπο ή μεταβείτε στο **BRIGGSandSTRATTON.COM** ή καλέστε στο **1-800-444-7774** (στις ΗΠΑ).

Προδιαγραφές και Ανταλλακτικά

Μοντέλο: 25E300	
Κυβισμός	24.898 ci (408 cm ³)
Διάμετρος κυλίνδρου	3.465 in (88 mm)
Διαδρομή εμβόλου	2.638 in (67 mm)
Χωρητικότητα λαδιού	28-32 oz (.82 - .95 λίτρα)
Διάκενο μπουζί	.030 in (.76 mm)
Ροπή σύσφιξης μπουζί	170 λίβρα-ίντσα (19,2 Nm)
Διάκενο αέρα του αισθητήρα ταχύτητας	.010 - .015 in (.254 - .381 mm)
Διάκενο βαλβίδας εισαγωγής	.004 - .006 in (.10 - .15 mm)
Διάκενο βαλβίδας εξαγωγής	.006 - .008 in (.15 - .20 mm)

Η ισχύς του κινητήρα μειώνεται κατά 3,5% ανά 1.000 πόδια (300 μέτρα) επάνω από το επίπεδο της θάλασσας και κατά 1% ανά 10 °F (5,6 °C) πάνω από τους 77 °F (25 °C). Ο κινητήρας λειτουργεί ικανοποιητικά σε γωνία έως 30°. Για τα επιτρεπόμενα όρια ασφαλούς λειτουργίας σε επικλινές έδαφος, ανατρέξτε στο Εγχειρίδιο Χειριστή του εξοπλισμού.

Ανταλλακτικά

Για να αγοράσετε ανταλλακτικά της Briggs & Stratton, βρείτε έναν Εξουσιοδοτημένο αντιπρόσωπο σέρβις στο **BRIGGSandSTRATTON.COM**. Θα χρειαστείτε τον αριθμό αναγνώρισης (μοντέλο - τύπος - επίπεδο εξοπλισμού). Ανατρέξτε στην ενότητα **Χαρακτηριστικά και χειριστήρια** για να βρείτε τον αριθμό αναγνώρισης του κινητήρα σας.

Ονομαστικές τιμές ισχύος

Η ονομαστική μεκτική ισχύς για μεμονωμένα μοντέλα βενζινοκινητήρων επισημαίνεται στην πινακίδα τους με βάση τον κώδικα J1940 της SAE (Society of Automotive Engineers, Ένωση Μηχανικών Αυτοκινήτων στις ΗΠΑ) για τη διαδικασία καθορισμού της ονομαστικής ισχύος και της ροπής στρέψης μικρών κινητήρων και έχει υπολογιστεί με βάση τον κώδικα J1995 της SAE. Οι τιμές της ροπής στρέψης προκύπτουν στις 2.600 σ.α.λ. για τους κινητήρες όπου αναγράφονται οι «σ.α.λ.» στην ετικέτα και στις 3.060 σ.α.λ. για όλους τους υπόλοιπους. Οι τιμές ιπποδύναμης προκύπτουν στις 3.600 σ.α.λ. Μπορείτε να δείτε τις καμπύλες μεκτικής ισχύος στον ιστότοπο **www.BRIGGSandSTRATTON.COM**. Οι τιμές καθαρής ισχύος μετριοούνται μετά την εγκατάσταση της εξάτμισης και του φίλτρου αέρα, ενώ οι τιμές μεκτικής ισχύος συλλέγονται χωρίς τα εν λόγω προσαρτήματα. Η πραγματική μεκτική ισχύς του κινητήρα θα είναι υψηλότερη από την καθαρή ισχύ και επηρεάζεται, μεταξύ άλλων, από τις συνθήκες του περιβάλλοντος λειτουργίας και από τις διαφορές μεταξύ των κινητήρων. Δεδομένης της ευρείας γκάμας των προϊόντων στα οποία τοποθετούνται οι κινητήρες, ο βενζινοκινητήρας ενδέχεται να μην αναπτύσσει την ονομαστική μεκτική ισχύ όταν χρησιμοποιείται σε συγκεκριμένο ηλεκτροκίνητο εξοπλισμό. Η διαφορά αυτή οφείλεται σε διάφορους παράγοντες, που περιλαμβάνουν, ενδεικτικά, την ποικιλία εξαρτημάτων του κινητήρα (φίλτρο αέρα, εξάτμιση, σύστημα φόρτισης, ψύξης, καρμπιρατέρ, αντλία καυσίμου, κ.λπ.), τους περιορισμούς της εφαρμογής, τις συνθήκες λειτουργίας του περιβάλλοντος (θερμοκρασία, υγρασία, υψόμετρο), καθώς και τη μεταβλητότητα του κινητήρα. Λόγω περιορισμών όσον αφορά στην κατασκευή και τη χωρητικότητα, η Briggs & Stratton μπορεί να αντικαταστήσει τον κινητήρα με κάποιον άλλο υψηλότερης ονομαστικής ισχύος.

Εγγύηση

Εγγύηση της Briggs & Stratton® για τους κινητήρες
Ισχύει από τον Αύγουστο του 2022

Περιορισμένη εγγύηση

Η Briggs & Stratton εγγυάται ότι, κατά τη διάρκεια της περιόδου εγγύησης που καθορίζεται παρακάτω, θα επισκευάσει ή θα αντικαταστήσει, χωρίς καμία χρέωση, με καινούργιο, ανασκευασμένο ή ανακατασκευασμένο εξάρτημα, κατά την αποκλειστικά διακριτική ευχέρεια της Briggs & Stratton, οποιοδήποτε εξάρτημα που θα διαπιστωθεί ότι είναι ελαττωματικό λόγω υλικών ή κακοτεχνίας ή και για τους δύο αυτούς λόγους. Τα έξοδα μεταφοράς για τα προϊόντα που αποστέλλονται για επισκευή ή αντικατάσταση στο πλαίσιο της παρούσας εγγύησης επιβαρύνουν τον αγοραστή. Η παρούσα εγγύηση ισχύει για τα χρονικά διαστήματα και υπό τους όρους που αναφέρονται παρακάτω. Για εργασίες συντήρησης στο πλαίσιο της εγγύησης, βρείτε τον πλησιέστερο Εξουσιοδοτημένο αντιπρόσωπο σέρβις στον χάρτη του Εντοπιστή Αντιπροσώπων στο **BRIGGSandSTRATTON.COM**. Ο αγοραστής πρέπει να επικοινωνήσει με τον εξουσιοδοτημένο αντιπρόσωπο σέρβις και, στη συνέχεια, να του παρουσιάσει το προϊόν για έλεγχο και δοκιμή.

Δεν υπάρχει άλλη ρητή εγγύηση. Οι σιωπηρές εγγυήσεις, συμπεριλαμβανομένων όσων αφορούν την εμπορευσιμότητα και την καταλληλότητα για συγκεκριμένο σκοπό, περιορίζονται στο ένα έτος από την αγορά ή στον βαθμό που επιτρέπεται από την ισχύουσα νομοθεσία. Όλες οι άλλες σιωπηρές εγγυήσεις εξαιρούνται. Οι ευθύνες για ακούσια ή επακόλουθη ζημιά εξαιρούνται στον βαθμό που επιτρέπεται από την ισχύουσα νομοθεσία. Ορισμένες πολιτείες ή χώρες δεν επιτρέπουν περιορισμούς όσον αφορά τη διάρκεια των σιωπηρών εγγυήσεων και ορισμένες πολιτείες ή χώρες δεν επιτρέπουν την

εξαιρέση ή τον περιορισμό της τυχαίας ή επακόλουθης ζημιάς και, συνεπώς, ο περιορισμός και η εξαιρέση που προαναφέρονται μπορεί να μην ισχύουν για εσάς. Η παρούσα εγγύηση σας παρέχει ειδικά νομικά δικαιώματα και, ενδεχομένως, και άλλα δικαιώματα που διαφέρουν από πολιτεία σε πολιτεία και από χώρα σε χώρα.

Βασικοί όροι εγγύησης ^{1, 2}
Vanguard® , Εμπορική σειρά
Χρήση από τους καταναλωτές - 36 μήνες
Εμπορική χρήση - 36 μήνες
Σειρά XR
Χρήση από τους καταναλωτές - 24 μήνες
Εμπορική χρήση - 24 μήνες
Όλοι οι λοιποί κινητήρες που διαθέτουν χιτώνια από χυτοσίδηρο Dura-Bore™
Χρήση από τους καταναλωτές - 24 μήνες
Εμπορική χρήση - 12 μήνες
Όλοι οι λοιποί κινητήρες
Χρήση από τους καταναλωτές - 24 μήνες
Εμπορική χρήση - 3 μήνες

¹ Αυτοί είναι οι βασικοί όροι εγγύησης που παρέχει η εταιρεία μας αλλά, κατά περίπτωση, ενδέχεται να υπάρχουν πρόσθετες καλύψεις που δεν προσδιορίζονται κατά τη δημοσίευση της εγγύησης. Για τους όρους εγγύησης που ισχύουν για τον κινητήρα σας, ανατρέξτε στην ιστοσελίδα BRIGGSandSTRATTON.COM ή επικοινωνήστε με τον τοπικό Εξουσιοδοτημένο αντιπρόσωπο σέρβις της Briggs & Stratton.

² Δεν υπάρχει εγγύηση για κινητήρες σε εξοπλισμό που χρησιμοποιείται για κύρια παροχή ρεύματος αντικαθιστώντας οργανισμό κοινής ωφελείας ή για εφεδρικές γεννήτριες που χρησιμοποιούνται για εμπορικούς σκοπούς, οχήματα γενικής χρήσης άνω των 25 MPH ή κινητήρες που χρησιμοποιούνται σε άγριες ταχύτητες ή σε επαγγελματικές ή ενοικιαζόμενες πίστες.

* Στην Αυστραλία - Τα προϊόντα μας συνοδεύονται από εγγυήσεις που δεν μπορούν να εξαιρεθούν σύμφωνα με τη Νομοθεσία της Αυστραλίας περί Προστασίας των Καταναλωτών. Δικαιούστε αντικατάσταση ή επιστροφή χρημάτων σε περίπτωση σοβαρής βλάβης και αποζημίωση σε περίπτωση οποιασδήποτε άλλης ευλόγως προβλέψιμης απώλειας ή βλάβης. Δικαιούστε επίσης επισκευή ή αντικατάσταση των προϊόντων, εάν η ποιότητα των προϊόντων είναι μη αποδεκτή, ακόμα και εάν η βλάβη δεν είναι σοβαρή. Για σέρβις στα πλαίσια της εγγύησης, εντοπίστε τον πλησιέστερο Εξουσιοδοτημένο αντιπρόσωπο σέρβις στον χάρτη του Εντοπιστή Αντιπροσώπων μας στο BRIGGSandSTRATTON.COM ή καλέστε στο 1300 274 447 ή στείλτε μας e-mail στη διεύθυνση salesenquires@briggsandstratton.com.au ή στείλτε επιστολή στη διεύθυνση Briggs & Stratton Australia Pty Ltd, 1 Moorebank Avenue, Moorebank, NSW, Αυστραλία, 2170.

Η διάρκεια της εγγύησης ξεκινά από την ημερομηνία αγοράς από τον πρώτο καταναλωτή λιανικού εμπορίου ή από τον τελικό εμπορικό χρήστη και συνεχίζει να ισχύει για τη χρονική περίοδο που αναγράφεται στον παραπάνω πίνακα. «Καταναλωτική χρήση» σημαίνει προσωπική, κατ' οίκον χρήση από καταναλωτή προϊόντων λιανικού εμπορίου. «Επαγγελματική χρήση» σημαίνει όλες τις άλλες χρήσεις συμπεριλαμβανομένης της χρήσης για επαγγελματικούς και εισοδηματικούς σκοπούς ή σκοπούς ενοικίασης. Εφόσον ένας κινητήρας έχει χρησιμοποιηθεί για επαγγελματικούς σκοπούς, στο πλαίσιο της παρούσας εγγύησης, θα θεωρείται ως κινητήρας επαγγελματικής χρήσης.

Δεν απαιτείται ειδική εγγραφή για να ισχύσει η εγγύηση στα προϊόντα της Briggs & Stratton. Φυλάξτε την απόδειξη αγοράς. Εάν δεν προσκομίσετε αποδεικτικό της αρχικής αγοράς τη στιγμή της αίτησης για επισκευή βάσει της εγγύησης, ο προσδιορισμός της περιόδου εγγύησης θα βασιστεί στην ημερομηνία κατασκευής του προϊόντος.

Σχετικά με την εγγύησή σας

Αυτή η περιορισμένη εγγύηση καλύπτει ελαττωματικό υλικό ή/και εργασία σε σχέση με τον κινητήρα μόνο και όχι αντικατάσταση ή επιστροφή χρημάτων για το μηχάνημα πάνω στο οποίο ενδέχεται να είναι τοποθετημένος ο κινητήρας. Η τακτική συντήρηση, τα σέρβις, οι ρυθμίσεις και η κανονική φθορά δεν καλύπτονται από αυτή την εγγύηση. Παρομοίως, η εγγύηση δεν έχει εφαρμογή αν έχουν γίνει αλλαγές ή τροποποιήσεις στον κινητήρα ή αν έχει καταστεί δυσανάγνωστος ή έχει αφαιρεθεί ο αριθμός σειράς του κινητήρα. Αυτή η εγγύηση δεν καλύπτει ζημιές ή προβλήματα απόδοσης του κινητήρα που προκλήθηκαν από:

1. Τη χρήση ανταλλακτικών που δεν είναι Briggs & Stratton
2. Τη λειτουργία του κινητήρα με ανεπαρκές, μολυσμένο ή λανθασμένου τύπου λάδι λίπανσης.
3. Η χρήση μολυσμένου ή παλιού καυσίμου, βενζίνης που περιέχει περισσότερο από 10% αιθυλική αλκοόλη ή η χρήση εναλλακτικών καυσίμων όπως υδροποιημένου αερίου πετρελαίου ή φυσικού αερίου σε κινητήρες που δεν έχουν αρχικά σχεδιαστεί/κατασκευαστεί από την Briggs & Stratton για να λειτουργούν με τέτοια καύσιμα.
4. Ακαθαρσίες που ενδέχεται να έχουν διεισδύσει στον κινητήρα λόγω ακατάλληλης συντήρησης ή επανασυναρμολόγησης του φίλτρου αέρα.

5. Χτύπημα αντικειμένου με την κοπτική λεπίδα περιστροφικής μηχανής κουρέματος γρασιδιού ή από ακατάλληλη τοποθέτηση προσαρμογέων λεπίδας, φτερωτών ή άλλων διατάξεων που συνδέονται με τον στροφαλοφόρο άξονα ή από υπερβολική σύσφιξη των τραπεζοειδών μάντων.
6. Σχετιζόμενα εξαρτήματα ή συγκροτήματα όπως συμπλέκτες, συστήματα μετάδοσης κίνησης, χειριστήρια εξοπλισμού κ.λπ., τα οποία δεν παρέχονται από την Briggs & Stratton.
7. Υπερθέρμανση λόγω υπολειμμάτων κοπής γρασιδιού, ακαθαρσιών και υπολειμμάτων ή λόγω φωλιών τρωκτικών που προκαλούν απόφραξη ή περιορισμό ροής στα πτερύγια ψύξης ή στην περιοχή σφονδύλου ή σε λειτουργία του κινητήρα χωρίς επαρκή αερισμό.
8. Υπερβολικούς κραδασμούς λόγω υπερβολικής ταχύτητας λειτουργίας, λασκαρισμένης βάσης κινητήρα, λασκαρισμένων ή εκτός ζυγοστάθμισης κοπτικών λεπίδων ή φτερωτών ή ακατάλληλης σύζευξης μερών του εξοπλισμού με τον στροφαλοφόρο άξονα.
9. Κακή χρήση, έλλειψη τακτικής συντήρησης, αποστολή, χειρισμό ή αποθήκευση εξοπλισμού ή ακατάλληλη εγκατάσταση του κινητήρα.

Το σέρβις στα πλαίσια της εγγύησης είναι διαθέσιμο μόνο μέσω των Εξουσιοδοτημένων αντιπροσώπων σέρβις της Briggs & Stratton. Βρείτε τον πλησιέστερο Εξουσιοδοτημένο αντιπρόσωπο σέρβις στον χάρτη του Εντοπιστή Αντιπροσώπων στην BRIGGSandSTRATTON.COM ή καλώντας το 1-800-444-7774 (στις ΗΠΑ).

80114782 (Αναθεώρηση Α)

Información general



Este manual contiene información de seguridad sobre los peligros y riesgos relacionados con el motor y cómo prevenirlos. También contiene el correcto funcionamiento y mantenimiento de este motor. Es importante que lea, comprenda y obedezca estas instrucciones. **Guarde este manual para referencia futura.**

NOTA: Las figuras y las ilustraciones en este manual son proporcionadas única y exclusivamente como información y pueden diferir de su modelo específico. Utilice las figuras que corresponden a la configuración de su motor. Si es necesario, hable con un distribuidor de servicio técnico autorizado.

Registre la fecha de compra, el modelo del motor, el tipo, la versión y el número de serie del motor para las piezas de recambio. Estos números se encuentran en su motor. Consulte la sección **Características y controles**.

Fecha de compra	
Modelo - Tipo - Código	
Número de serie de la unidad	

Información de contacto de la oficina europea

Si tiene preguntas sobre las emisiones europeas, póngase en contacto con nuestra oficina de Europa en:

Max-Born-Straße 2, 68519 Viernheim, Alemania.

Fase V (5) de la Unión Europea (UE): Valores de dióxido de carbono (CO₂)

Los valores de dióxido de carbono de los motores de Briggs & Stratton con certificado de aprobación de la UE se pueden encontrar introduciendo CO₂ en la ventana de búsqueda de BriggsandStratton.com.

Seguridad del operario

Símbolo de alerta de seguridad y palabras de señalización



El símbolo de aviso de seguridad se usa para identificar información de seguridad acerca de los peligros que pueden producir lesiones corporales. Se acompaña el símbolo con una palabra (**PELIGRO**, **ADVERTENCIA** o **PRECAUCIÓN**) para indicar la probabilidad de una lesión y su potencial gravedad. Además, se puede usar un símbolo de peligro para representar el tipo de peligro.

PELIGRO indica un peligro que, si no se evita, **puede** causar la muerte o lesiones graves.

ADVERTENCIA indica un peligro que, si no se evita, **podría** causar la muerte o lesiones graves.

PRECAUCIÓN indica un peligro que, si no se evita, **podría** provocar lesiones menores o moderadas.

AVISO indica información considerada importante, pero no relacionada con el riesgo.

Símbolos de peligro y sus significados

Información de seguridad acerca de los peligros que pueden provocar lesiones corporales.	Lea atentamente el Manual de instrucciones antes de operar la unidad o de realizar alguna operación de servicio.
Peligro de incendio	Peligro de explosión
Riesgo de descarga	Peligro de gases tóxicos
Riesgo de superficies calientes	Riesgo de contragolpe

Riesgo de amputación - piezas en movimiento	Nivel de combustible - Máximo No llene el depósito en exceso
---	---

Mensajes de seguridad



ADVERTENCIA
Los motores Briggs & Stratton® no han sido diseñados ni están destinados para su uso con karts para diversión/recreo, vehículos todoterreno para uso en eventos competitivos (ATV); motocicletas; productos para aviación o vehículos para uso en eventos competitivos no autorizados por Briggs & Stratton. Para información sobre productos para eventos competitivos, consulte www.briggsracing.com. Para su uso con vehículos utilitarios y todoterreno side-by-side, póngase en contacto con Briggs & Stratton Power Application Center, 1-866-927-3349. El uso incorrecto de un motor puede ocasionar la muerte o lesiones graves.

Información de reciclaje



Recicle todos los cartones, cajas, aceite usado y baterías conforme a lo especificado por la normativa gubernamental.

Características y controles

Controles del motor

Compare las letras indicadas en las Figuras 1, 2 y 3 con los controles del motor¹ de la siguiente lista:

- A. Números de identificación del motor **Modelo - Tipo - Código**
- B. Tanque de combustible y tapón
- C. Filtro de aire, montaje alto
- D. Filtro de aire, montaje bajo
- E. Manilla de la cuerda del motor de arranque
- F. Varilla de nivel de aceite, superior
- G. Varilla de nivel de aceite, inferior (si está instalada)
- H. Llenado de aceite
- I. Tapón de drenaje de aceite
- J. Silenciador, protector del silenciador (si está instalado), apagachispas (si está instalado)
- K. Control electrónico del acelerador (si está instalado)
- L. Compruebe la luz del motor (si está instalada)
- M. Cubierta de la carcasa del ventilador
- N. Llave de contacto (si está instalado)

¹ Algunos motores y equipos tienen controles remotos. Consulte el manual del equipo para conocer la ubicación y el funcionamiento de los controles remotos.

Símbolos de control del motor y su significado

Velocidad del motor - RÁPIDO	Velocidad del motor - DESPACIO
Motor - PARAR	Motor - ARRANCAR
Motor - ENCENDIDO	

Funcionamiento



ADVERTENCIA

Los vapores de combustible son inflamables y sus vapores son explosivos. Un incendio o una explosión podría provocar quemaduras o la muerte.

Si huele a gas

- No arranque el motor.
- No encienda ningún interruptor eléctrico.
- No use un teléfono cerca.
- Evacúe la zona.
- Póngase en contacto con el departamento de bomberos.

Cuando ponga en funcionamiento el equipo

- No incline el motor o el equipo con un ángulo que pueda ocasionar derrames de combustible.

Cuando mueva el equipo de ubicación

- Asegúrese de que el depósito de combustible esté VACÍO o de que la válvula de cierre de combustible, si está instalada, esté en la posición de CERRADA.

Verifique el nivel de aceite

Antes de comprobar el nivel de aceite o de añadir aceite

- Cerciórese de que la unidad esté nivelada.
- Retire el material no deseado del área de llenado de aceite.
- Consulte la sección **Especificaciones** para conocer la capacidad de aceite.

AVISO

Briggs & Stratton envía este producto sin aceite. Es posible que los fabricantes de equipo o los distribuidores hayan añadido aceite al motor. Antes de arrancar el motor por primera vez, asegúrese de que el nivel de aceite sea correcto. Añada aceite conforme a lo especificado en las instrucciones de este manual. Si arranca el motor sin aceite, quedará dañado sin opción a reparación y no estará cubierto por la garantía.

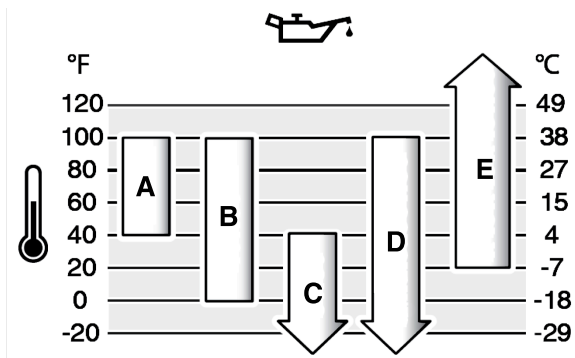
1. Retire la varilla (A, B, C, Figura 4). Utilice un paño para eliminar el aceite de la varilla (A, B, C).
2. Introduzca la varilla medidora (A, B, C, Figura 4).
 - a. Varilla de nivel de montaje bajo, si está instalada, (B, Figura 4): asegúrese de que las marcas de llenado de aceite en la varilla medidora (B) apunten hacia la parte superior del motor.
 - b. Varilla medidora corta o tapón de llenado con varilla medidora, si está instalado (C, Figura 4): girar y apretar la varilla (C).
3. Retire la varilla medidora nuevamente (A, B, C, Figura 4).
4. Verifique el nivel de aceite. Compruebe que el nivel de aceite se encuentre en la parte superior de la señal indicadora de lleno (D, Figura 4).
5. Si el nivel del aceite está bajo, añada lentamente aceite por uno de los orificios de llenado de aceite del motor (E, F, Figura 5). No agregue demasiado aceite.
6. Espere un minuto. Revise el nivel de aceite nuevamente. Asegúrese de que el nivel de aceite sea correcto.
7. Introduzca la varilla medidora (A, B, C, Figura 4).

Recomendaciones sobre aceite

Capacidad de aceite: Consulte la sección **Especificaciones**.

Recomendamos el uso de aceites Briggs & Stratton® con garantía certificada para un mejor rendimiento. Están permitidos otros aceites detergentes de alta calidad si están clasificados para servicio SF, SG, SH, SJ o superior. No use aditivos especiales.

Use la tabla para seleccionar la mejor viscosidad para el margen de temperatura exterior que se espera. Los motores de la mayoría de equipos eléctricos de exterior funcionan bien con el aceite sintético 5W-30. Para el uso de equipos en temperaturas altas, el aceite sintético Vanguard® 15W-50 ofrece la mejor protección.



A	SAE 30: por debajo de los 40 °F (4 °C), el uso de SAE 30 provocará dificultades para arrancar.
B	10W-30: por encima de los 80 °F (27 °C), el uso de 10W-30 puede provocar un aumento en el consumo de aceite. Compruebe el nivel de aceite con frecuencia.
C	5W-30
D	Sintético 5W-30
E	Vanguard® sintético 15W-50

Sistema de protección de aceite bajo (si está instalado)

Algunos motores tienen instalado un sensor de nivel bajo de aceite. Si el nivel de aceite está bajo, el detector mostrará una luz de advertencia o parará el motor. Pare el motor y realice estas operaciones antes de volver a arrancar el motor.

- Cerciórese de que la unidad esté nivelada.
- Compruebe el aceite. Consulte la sección **Comprobar nivel de aceite**.
- Si el nivel está bajo, añada la cantidad adecuada de aceite. Arranque el motor y asegúrese de que no se encienda la luz de advertencia (si está instalada).
- No arranque el motor si el nivel de aceite es demasiado bajo. Para corregir el problema del aceite, consulte a un distribuidor de servicio técnico autorizado de Briggs & Stratton.

Recomendaciones sobre combustible

El combustible debe cumplir estos requisitos:

- Gasolina limpia, fresca y sin plomo.
- Un mínimo de 87 octanos u 87 AKI (91 RON). Para usos en altitudes altas, véase abajo.
- Admite gasolina con hasta un 10 % de etanol (gasohol).

AVISO

No utilice gasolina no aprobada, como E15 y E85. No haga mezclas de aceite y gasolina ni realice modificaciones en el motor para hacerlo funcionar con combustibles alternativos. El uso de combustibles no aprobados provocará daños en los componentes del motor, lo que no está cubierto por la garantía.

Para proteger el sistema de combustible de la formación de goma y la corrosión, mezcle un estabilizador de combustible sin alcohol y un tratamiento con etanol en el combustible. Consulte la sección **Almacenamiento**. No todos los combustibles son iguales. Si se producen problemas de arranque o de rendimiento, cambie el proveedor o la marca del combustible. Este motor está certificado para funcionar con gasolina. El sistema de control de emisiones para motores carburados es EM (Modificaciones del motor). Los sistemas de control de emisiones para motores con inyección electrónica de combustible son ECM (Módulo de control del motor), MFI (Inyección de combustible multipuerto), TBI (Inyección de combustible del cuerpo del acelerador) y, si está equipado, un O2S (Sensor de oxígeno).

Gran altura

A altitudes superiores a los 5000 pies (1524 metros), es aceptable usar gasolina con un mínimo de 85 octanos/85 AKI (89 RON).

Para motores carburados, se requiere realizar el ajuste de gran altura para mantener el rendimiento. Sin este ajuste, el generador perderá rendimiento y aumentarán el consumo de combustible y las emisiones. Póngase en contacto con un Distribuidor de Servicio Autorizado por Briggs & Stratton para obtener información sobre el ajuste de gran altura. No se recomienda hacer funcionar el motor con el ajuste para grandes alturas a altitudes inferiores a los 762 metros (2.500 pies).

Para motores de inyección electrónica de combustible (EFI, por sus siglas en inglés), no es necesario realizar ningún ajuste de gran altura.

Adición de combustible



ADVERTENCIA

El combustible y sus vapores son extremadamente inflamables y explosivos. Un incendio o una explosión podría provocar quemaduras o la muerte.

Cuando añada combustible

- Pare el motor. Antes de quitar el tapón de combustible, espere un mínimo de dos (2) minutos para asegurarse de que el motor se haya enfriado.
 - Rellene el depósito de combustible al aire libre, en un área con buena ventilación.
 - No eche demasiado combustible en el depósito. Para permitir que el combustible se expanda, no llene el depósito por encima de la parte inferior del cuello del depósito de combustible.
 - Mantenga el combustible alejado de chispas, llamas abiertas, pilotos, calor y otras fuentes de ignición.
 - Compruebe con frecuencia las mangueras de combustible, el depósito de combustible, el tapón de combustible y las conexiones por si presentaran grietas o hubiera fugas. Sustituya las piezas dañadas.
 - Si se derrama combustible, espere hasta que se seque para arrancar el motor.
1. Limpie la suciedad y los desechos en el área de la tapa de llenado de combustible. Retire la tapa del combustible.
 2. Llene de combustible (A, Figura 6) el depósito de combustible. Puesto que la gasolina se expande, no llene el depósito por encima de la parte inferior del cuello del depósito de combustible (B).
 3. Coloque la tapa de llenado de combustible.

Arranque el motor



ADVERTENCIA

PELIGRO DE GAS TÓXICO. Los gases de escape del motor contienen monóxido de carbono, un gas tóxico que puede matar en cuestión de minutos. Aunque no pueda oler los gases de escape, podría estar expuesto a monóxido de carbono. Si comienza a sentirse mal, mareado o débil cuando use este producto, apáguelo y busque aire fresco INMEDIATAMENTE. Viste a un médico. Es posible que se haya intoxicado con monóxido de carbono.

- En los espacios ocupados puede acumularse gas de monóxido de carbono. Utilice este producto EXCLUSIVAMENTE en el exterior, lejos de puertas, ventanas y respiraderos, a fin de reducir el riesgo de que el monóxido de carbono.
- Instale alarmas de monóxido de carbono que funcionen con baterías o alarmas de monóxido de carbono enchufables con batería de seguridad de acuerdo con las instrucciones del fabricante. Las alarmas de incendios no pueden detectar gas de monóxido de carbono.
- NO utilice este producto dentro de casas, garajes, sótanos, cámaras, galpones u otros espacios parcialmente cerrados incluso si está usando ventiladores o las puertas y ventanas están abiertas para ventilación. Después de haber utilizado este producto, puede acumularse rápidamente monóxido de carbono en estos espacios y permanecer allí durante horas.
- Coloque SIEMPRE este producto a favor del viento y dirija el escape del motor alejado de espacios ocupados.



ADVERTENCIA

El combustible y sus vapores son extremadamente inflamables y explosivos. Un incendio o una explosión podría provocar quemaduras o la muerte.

Cuando arranque el motor

- Asegúrese de que la bujía, el silenciador, la tapa del depósito de combustible y el filtro de aire (si se incluye) estén correctamente instalados.
- No encienda el motor con la bujía retirada.
- Si el motor se ha ahogado, establezca el estrangulador (si se incluye) en la posición ABRIR o MARCHA. Mueva el acelerador (si se incluye) a la posición RÁPIDO e intente arrancar el motor hasta que lo consiga.
- Si hay una pérdida de gas natural o gas LP en el área, no arranque el motor.
- No use líquidos de estérter presurizados, ya que los vapores son inflamables.



ADVERTENCIA

Pies, manos, pelo, ropa o accesorios pueden quedar atrapados en las piezas giratorias y provocar laceraciones o amputaciones traumáticas.

- No utilice el equipo sin las protecciones correctamente instaladas.
- Mantenga las manos y los pies lejos de las partes rotativas.
- Quítense las joyas y no acerque el pelo largo a las piezas giratorias.
- No lleve ropa suelta ni prendas que puedan quedarse atrapadas.



ADVERTENCIA

La retracción rápida o el cable del estérter (Kickback) llevan la mano y el brazo hacia el motor más rápido de lo que usted puede controlar. Puede romperse los huesos y sufrir moratones o esguinces.

- Cuando arranque el motor, tire lentamente del cable de arranque hasta que sienta resistencia y empuje rápidamente para evitar el retroceso rápido.
- Desmonte o desconecte todo el equipo externo/cargas del motor antes de arrancar el motor.
- Los componentes del equipo de acoplamiento directo como (entre otros) cuchillas, impulsores, poleas, ruedas dentadas, etc., deben estar bien fijados.

NOTA: Su equipo puede contar con controles remotos. Consulte el manual del equipo para conocer la ubicación y el funcionamiento de los controles remotos.

Arranque eléctrico

1. Verifique el nivel de aceite. Consulte la sección **Comprobar nivel de aceite**.
2. Desconecte los controles de transmisión del equipo, si están instalados.
3. Ponga la válvula de cierre de combustible, si está instalada, en posición ABRIR.
4. Gire la llave de encendido (A, Figura 7) a la posición de ARRANQUE.

AVISO Cuando suelte el interruptor de llave (A, Figura 7), la llave se moverá a la posición ENCENDER. El motor seguirá girando a menos que arranque. Para cancelar la secuencia de arranque, gire el interruptor de llave (A) a la posición APAGAR. Si el motor no arranca, siga los pasos a continuación.

5. Asegúrese de que el interruptor de llave (A, Figura 7) está en la posición APAGAR. Espere dos segundos.
6. Gire la llave de encendido (A, Figura 7) a la posición de ARRANQUE.
7. Si el motor no arranca, cancele la secuencia de arranque y hable con un distribuidor de servicio técnico autorizado de Briggs & Stratton.

Arranque con rebobinado

AVISO El arranque eléctrico es el método recomendado para arrancar su motor.

1. Compruebe el nivel de aceite del motor. Consulte la sección **Comprobar nivel de aceite**.
2. Desconecte los controles de transmisión del equipo, si están instalados.
3. Asegúrese de que el motor esté conectado a una batería de 12 voltios cargada.
4. Ponga la válvula de cierre de combustible, si está instalada, en posición ABRIR.
5. Gire el interruptor de llave (A, Figura 8) a la posición ENCENDER. Luego, jale la manija del cable de arranque (B).

Detenga el motor

1. Gire la llave de encendido (A, Figura 7) a la posición APAGAR.
2. Retire la llave. Manténgalo en un lugar seguro lejos de los niños.
3. Una vez parado el motor, ponga la válvula de cierre del combustible, si está instalada, en posición CERRADO.

Comprobar la luz del motor

La luz de control del motor (B, Figura 7) indica un problema con el motor. Si la luz de verificación del motor está ENCENDIDA durante el funcionamiento del motor, hable con un distribuidor de servicio técnico autorizado de Briggs & Stratton para corregir el problema lo antes posible o cuando haya terminado su trabajo. Si la luz de verificación del motor está ENCENDIDA y el motor se detuvo automáticamente, siga los pasos a continuación:

1. Cerciérese de que la unidad esté nivelada.
2. Compruebe el aceite. Consulte la sección **Comprobar nivel de aceite**.
3. Arranque el motor. Consulte la sección **Arrancar el motor**.
4. Si la luz de verificación del motor permanece ENCENDIDA y el motor continúa deteniéndose automáticamente, no use el motor. Para corregir el problema del aceite, consulte inmediatamente a un distribuidor de servicio técnico autorizado de Briggs & Stratton.

Mantenimiento

Información de mantenimiento



ADVERTENCIA
El combustible y sus vapores son extremadamente inflamables y explosivos. Un incendio o una explosión podría provocar quemaduras o la muerte.

Si, durante las tareas de mantenimiento es necesario inclinar la unidad, asegúrese de que el depósito de combustible, si va montado en el motor, esté vacío y de que la bujía esté boca arriba. Si el depósito de combustible no está vacío, podría haber una fuga de combustible y provocar un incendio o una explosión. Si el motor se inclina en una dirección distinta, experimentará dificultades para arrancar debido a la contaminación por aceite o por combustible del filtro de aire o de la bujía.



ADVERTENCIA
Una chispa accidental del motor puede provocar una descarga eléctrica, un incendio o una explosión que pueden producir atrapamiento, amputación traumática o laceración.

Antes de efectuar ningún ajuste o reparación:

- Desconecte todos los cables de las bujías y manténgalos alejados de las bujías.
- Desconecte el cable de batería del terminal negativo (solo se aplica a motores con arranque eléctrico).
- Utilice solo las herramientas adecuadas.

Cuando compruebe las chispas:

- Use un probador de bujías aprobado.
- No revise la chispa si la bujía no está en su sitio.



ADVERTENCIA
Las piezas de reemplazo deben ser del mismo modelo e instalarse en la misma posición que las piezas originales. Otras piezas podrían sufrir daños.

AVISO
Todos los componentes utilizados para la fabricación de este motor deben estar montados para un funcionamiento correcto.

Consulte con un distribuidor de servicio técnico autorizado Briggs & Stratton para todas las operaciones de mantenimiento y servicio del motor y de sus piezas.

Servicio de control de emisiones

Para servicio de mantenimiento, sustitución o reparación de dispositivos y sistemas de control de emisiones, póngase en contacto con un taller de reparaciones o un servicio técnico de motores fuera de carretera cualificado. Sin embargo, si necesita un servicio de control de emisiones "sin coste", debe recurrir a un distribuidor autorizado de fábrica. Consulte la garantía del control de emisiones.

Programa de mantenimiento

Primeras 5 horas
<ul style="list-style-type: none"> • Cambie el aceite.
Intervalos de 8 horas o diario
<ul style="list-style-type: none"> • Compruebe el nivel de aceite del motor. • Limpie el área alrededor del silenciador. • Limpiar la rejilla de la toma de aire.
Intervalos de 100 horas o anualmente
<ul style="list-style-type: none"> • Realice el mantenimiento del sistema de escape.
Intervalos de 200 horas o anualmente
<ul style="list-style-type: none"> • Cambie el aceite del motor. • Limpiar el filtro de aire¹
Intervalos de 600 horas o 2 años
<ul style="list-style-type: none"> • Cambie el filtro de aire. • Cambie el filtro de combustible¹
Anualmente
<ul style="list-style-type: none"> • Cambiar la bujía. • Realizar el mantenimiento del sistema de combustible. • Realizar el mantenimiento del sistema de refrigeración¹.

- Comprobar la holgura de las válvulas².

¹Limpie con más frecuencia en condiciones de mucho polvo o cuando haya muchas partículas en el aire.

²No es necesario a menos que se produzcan problemas de rendimiento en el motor.

Sistema de inyección electrónica de combustible (EFI)

El sistema EFI monitoriza la temperatura y la velocidad del motor y el voltaje de la batería para el arranque y el calentamiento del motor. No se realizan ajustes en el sistema. Si se producen problemas de arranque o de funcionamiento, contacte con un distribuidor de servicio técnico autorizado de Briggs & Stratton.

AVISO Asegúrese de seguir los pasos que se indican a continuación o podrían producirse daños en el sistema EFI.

- NO arranque el motor si los cables de la batería están flojos.
- Ponga la llave en posición de APAGADO antes de desconectar, desmontar y/o instalar la batería.
- NO use nunca un cargador de batería para arrancar el motor.
- NO desconecte los cables de la batería durante el funcionamiento del motor.
- Cuando conecte los cables de la batería, conecte primero el borne positivo (+) y después el negativo (-) a la batería.
- Cuando cargue la batería, APAGUE el interruptor de encendido y desconecte el borne negativo (-) de la misma.
- NO pulverice agua directamente sobre el Módulo de control electrónico.

Mantenimiento de la bujía

Compruebe la distancia de separación de las bujías (A, Figura 9) con un calibrador (B). Monte la bujía y apriétela al par de apriete correcto. Para información sobre el par de apriete, consulte la sección **Especificaciones**.

Para acceder a la bujía, asegúrese de que el motor esté en la posición APAGAR. Desconecte el cable de la bujía (D, Figura 10) y manténgalo alejado de la bujía (E).

En algunos modelos EFI-ETC, debe retirar el protector térmico para acceder a la bujía. Siga los pasos a continuación para obtener acceso a la bujía.

1. Desbloquee la lengüeta roja (A, Figura 11) del conector (B)
2. Empuje la lengüeta negra (C, Figura 11) mientras saca el conector (B) de la bobina de encendido (D).
3. Retire la válvula de residuos (E, Figura 11).
4. Retire el tornillo superior (F, Figura 11) y el tornillo lateral (G) del soporte (H).
5. Retire el escudo térmico (H, Figura 11).
6. Retire la bobina de encendido (D, Figura 11).
7. Reemplace la bujía (I, Figura 12).
8. Instale la bobina de encendido (D, Figura 11).
9. Instale el soporte (H, Figura 11).
10. Instale el tornillo superior (F, Figura 11) y tornillo lateral (G) en el soporte (H).
11. Instale la válvula de residuos (E, Figura 11).
12. Instale el conector (B, Figura 11) en la bobina de encendido (D).
13. Bloquee la lengüeta roja (A, Figura 11).

Mantenimiento de los sistemas de escape y refrigeración



ADVERTENCIA
Durante el funcionamiento, el motor y el silenciador se calientan. Si toca un motor caliente, puede sufrir quemaduras por calor.

Los restos combustibles, tales como hojas, hierba, maleza, etc., pueden incendiarse.

- Antes de tocar el motor o el silenciador, detenga el motor y espere dos (2) minutos. Compruebe que sea seguro tocar el motor y el silenciador.
- Retire la suciedad del silenciador y del motor.

Constituye una infracción del artículo 4442 del California Public Resource Code (Código de recursos públicos de California) utilizar u operar el motor en las proximidades de terrenos boscosos o de rastrojos o que estén cubiertos de hierba a menos que el sistema de escape esté equipado con un dispositivo antichispas, tal y como se define en la Sección 4442, que además se mantenga en un buen estado de funcionamiento. Otros estados o jurisdicciones federales pueden tener leyes similares; consulte la Normativa federal CFR, título 36, Parte 261.52. Para obtener un supresor de chispas diseñado para el sistema de escape instalado en este motor, acuda al fabricante original del aparato o a un distribuidor.

Se trata de un motor refrigerado por aire. La suciedad o los materiales no deseados pueden impedir el flujo de aire y hacer que el motor se caliente demasiado. Esto da como resultado un rendimiento insatisfactorio y reduce la vida útil del motor. Las aletas de refrigeración del cilindro pueden acumular material no deseado que no se puede eliminar sin desmontar parcialmente el motor. Asegúrese de que un distribuidor de servicio técnico autorizado de Briggs & Stratton examine y limpie el sistema de refrigeración de aire. Consulte la sección **Programación de mantenimiento**.

1. Asegúrese de que no haya materiales combustibles alrededor y detrás del silenciador.
2. Utilice un cepillo o un paño seco para eliminar todo el material no deseado de la cubierta de la carcasa del ventilador, el silenciador y el área del cilindro. NO use agua para limpiar el motor.
3. Asegúrese de que las varillas, los resortes y los controles estén limpios.
4. Inspeccione el silenciador por si presenta fisuras, corrosión u otros daños.
5. Retire el deflector o la pantalla antichispas, si está instalada, e inspeccione si presenta daños o acumula carbonilla. Asegúrese de limpiar o instalar las piezas de recambio antes de operar el equipo.
6. Si se incluyen, asegúrese de que las aletas de refrigeración de aceite estén limpias.

Cambio del aceite del motor

ADVERTENCIA



El combustible y sus vapores son extremadamente inflamables y explosivos. Un incendio o una explosión podría provocar quemaduras o la muerte.

Durante el funcionamiento, el motor y el silenciador se calientan. Si toca un motor caliente, puede sufrir quemaduras por calor.

- Si vacía el aceite desde el tubo de llenado de aceite superior, el depósito de combustible debe estar vacío. De lo contrario, podría haber una fuga de combustible y provocar un incendio o una explosión.
- Antes de tocar el motor o el silenciador, detenga el motor y espere dos (2) minutos. Compruebe que sea seguro tocar el motor y el silenciador.

El aceite usado es un producto de desecho peligroso y debe eliminarse de un modo correcto. No lo tire a un cubo de residuos domésticos. Para la eliminación/reciclaje de estos residuos, pregunte a las autoridades locales, a un centro de mantenimiento o a un distribuidor dónde existen instalaciones.

Extracción del aceite

1. Con el motor apagado pero todavía caliente, desconecte el cable de la bujía (D, Figura 10) y manténgalo alejado de la bujía (E). Para modelos de motor que tienen un escudo térmico (Figura 11), desconecte la bujía de la siguiente manera:
 - a. Desbloquee la lengüeta roja (A, Figura 11) del conector (B).
 - b. Empuje la lengüeta negra (C, Figura 11) mientras saca el conector (B) de la bobina (D)
2. Retire la varilla (A, B, C, Figura 4).
3. Quite uno de los tapones de drenado del aceite (F, G, Figura 13). Drene el aceite en un recipiente aprobado para este fin.
4. Coloque y ajuste el tapón de drenaje de aceite (F, G, Figura 13).

Adición de aceite

- Cerciórese de que la unidad esté nivelada.
 - Retire todo el material no deseado del área de llenado de aceite.
 - Consulte la sección **Especificaciones** para conocer la capacidad de aceite.
1. Retire la varilla (A, B, C, Figura 4).
 2. Agregue lentamente aceite en uno de los orificios de llenado de aceite del motor (E, F, Figura 5). No agregue demasiado aceite.
 3. Introduzca la varilla medidora (A, B, C, Figura 4).
 - a. Varilla medidora extendida, si está instalada (B, Figura 4): Asegúrese de que las marcas de llenado de aceite en la varilla medidora (B) apunten hacia la parte superior del motor.
 - b. Varilla medidora corta o tapón del orificio de llenado con varilla medidora, si está instalado (C, Figura 4): Gire y apriete la varilla medidora (C).
 4. Retire la varilla (A, B, C, Figura 4) otra vez.
 5. Verifique el nivel de aceite. Compruebe que el nivel correcto de aceite se encuentre en la parte superior de la señal indicadora de lleno (D, Figura 4).
 6. Introduzca de nuevo la varilla medidora (A, B, C, Figura 4).
 7. Conecte el cable de la bujía (D, 10) a la bujía (E). Para modelos de motor que tienen un escudo térmico (Figura 11) conecte el cable de la bujía de la siguiente manera:
 - a. Instale el conector (B, Figura 11).

- b. Bloquee la lengüeta roja (A, Figura 11).

Mantenimiento del filtro de aire



ADVERTENCIA

Los vapores de combustible son inflamables y sus vapores son explosivos. Un incendio o una explosión podría provocar quemaduras o la muerte.

- Nunca arranque y ponga en marcha el motor si se ha extraído el conjunto del filtro de aire (si se incluye), o se ha extraído el filtro de aire (si se incluye).

AVISO

No utilice aire a presión ni disolventes para limpiar el filtro. El aire a presión puede dañar el filtro y los disolventes disolverán el filtro.

Consulte la sección **Programa de mantenimiento** para ver los requisitos de mantenimiento.

Los distintos modelos utilizan un filtro de espuma o de papel. Algunos modelos podrían incluir también un prefiltro opcional que se puede lavar y volver a utilizar. Compare las ilustraciones de este manual con el tipo instalado en su motor y realice su mantenimiento de la forma descrita a continuación.

Filtro de aire de papel

1. Afloje el/los sujetador(es) (C, Figura 14).
2. Saque la tapa (A, Figura 14) y el filtro (B).
3. Para quitar en lo posible la suciedad, golpee suavemente el filtro (B, Figura 14) contra una superficie dura. Si el filtro está sucio, reemplácelo por uno nuevo.
4. Instale el filtro (B, Figura 14).
5. Monte la tapa (A, Figura 14) con el o los cierres (C). Verifique que el/los pasador(es) estén bien apretados.

Filtro de aire de papel - Bajo perfil

1. Mueva el pestillo (A, Figura 15) para desbloquear la tapa (C).
2. Apriete las pestañas (B, Figura 15) y retire la tapa (C).
3. Retire el filtro (D, Figura 15).
4. Para quitar en lo posible la suciedad, golpee suavemente el filtro (D, Figura 15) contra una superficie dura. Si el filtro está sucio, reemplácelo por uno nuevo.
5. Monte el filtro (D, Figura 15).
6. Instale la cubierta (C, Figura 15). Mueva el pestillo (A) hasta la posición de bloqueo.

NOTA: Compruebe el ajuste del sello de espuma (E, Figura 15). Asegúrese de que el sello de espuma perimetral está correctamente encajado en el canal (F).

Mantenimiento del sistema de combustible



ADVERTENCIA

El combustible y sus vapores son extremadamente inflamables y explosivos. Un incendio o una explosión podría provocar quemaduras o la muerte.

- Mantenga el combustible alejado de chispas, llamas abiertas, pilotos, calor y otras fuentes de ignición.
- Compruebe con frecuencia las mangueras de combustible, el depósito de combustible, el tapón de combustible y las conexiones por si presentaran grietas o hubiera fugas. Sustituya las piezas dañadas.
- Si se derrama combustible, espere hasta que se seque para arrancar el motor.

Filtro de combustible, si está instalado

1. Antes de cambiar el filtro de combustible (A, Figura 16), drene el depósito de combustible o cierre la válvula de corte de combustible. Si no se vacía el depósito de combustible podrían producirse fugas de combustible y provocar un incendio o una explosión.
2. Con unos alicates, sujete fuerte las lengüetas (B, Figura 16) de las abrazaderas (C). Aleje las abrazaderas del filtro de combustible (A).
3. Gire y saque las mangueras de combustible (D, Figura 16) del filtro.
4. Revise las líneas de combustible (D, Figura 16) para comprobar si hay grietas o fugas. Si es necesario, reemplace las líneas de combustible.
5. Cambie el filtro de combustible (A, Figura 16).
6. Conecte las líneas de combustible (D, Figura 16) con abrazaderas (C).

Filtro de combustible, si está instalado

1. Retire la tapa del depósito de combustible (A, Figura 17).
2. Retire el filtro de combustible (B, Figura 17).
3. Limpie o cambie el filtro de combustible si está sucio. Si reemplaza el filtro de combustible, asegúrese de utilizar un repuesto original.

Almacenaje

Sistema de combustible

Consulte la figura:18.



ADVERTENCIA

El combustible y sus vapores son extremadamente inflamables y explosivos. Un incendio o una explosión podría provocar quemaduras o la muerte.

Almacenamiento de combustible

- Almacene el combustible o el equipo lejos de hornos, estufas, calentadores de agua u otros aparatos que utilicen luces piloto u otras fuentes de encendido, ya que estos pueden encender los vapores de gasolina.

Mantenga el nivel del motor en la posición de funcionamiento correcta. Llene de combustible (A, Figura 18) el depósito de combustible. Para permitir que el combustible se expanda, no llene el depósito por encima de la parte inferior del cuello del depósito de combustible (B).

El combustible puede contaminarse cuando se guarda en un contenedor de almacenaje durante más de 30 días. Se recomienda un estabilizador de combustible sin alcohol y un tratamiento de etanol en el contenedor de almacenamiento de combustible. Así mantendrá el combustible en buen estado y reducirá los problemas relacionados con el combustible o de contaminación en el sistema de combustible.

Cuando llene el recipiente con combustible, agregue un estabilizador de combustible sin alcohol como se especifica en las instrucciones. Si la gasolina en el motor no ha sido tratada con un estabilizador de combustible, debe drenarse en un recipiente aprobado. Opere el motor hasta que se quede sin combustible.

Aceite del motor

Con el motor aún caliente, cambie el aceite del motor. Consulte la sección **Cambio de aceite del motor**.

Solución de problemas

Ayuda

Si necesita ayuda, póngase en contacto con su concesionario local, acceda a **BRIGGSandSTRATTON.COM** o llame al **1-800-444-7774** (en EE. UU).

Piezas de repuesto y especificaciones

Modelo: 25E300	
Cilindrada	24.898 ci (408 cc)
Diámetro	3.465 pulg. (88 mm)
Carrera	2.638 pulg. (67 mm)
Capacidad de aceite	28-32 onzas (.82 - .95 l)
Separación de bujías	.030 pulg. (.76 mm)
Torsión de la bujía	170 lb-pulg (19,2 Nm)
Entrehierro del sensor de velocidad	.010 - .015 pulg. (.254 - .381 mm)
Holgura de la válvula de admisión	.004 - .006 pulg. (.10 - .15 mm)
Holgura de la válvula de escape	.006 - .008 pulg. (.15 - .20 mm)

La potencia del motor disminuirá un 3,5 % cada 300 metros (1000 pies) sobre el nivel del mar y 1 % cada 10 °F (5,6 °C) por encima de 77 °F (25 °C). El motor funcionará satisfactoriamente en un ángulo de hasta 30°. Consulte el Manual del operario para ver los límites operativos permisibles y seguros en pendientes.

Piezas de servicio

Para comprar piezas de servicio de Briggs & Stratton, busque un distribuidor de servicio técnico autorizado en **BRIGGSandSTRATTON.COM**. Necesitará su número de identificación (modelo - tipo - corte). Consulte **Características y controles** para encontrar el número de identificación de su motor.

Clasificación de la potencia del motor

La clasificación de potencia bruta para modelos de motor de gasolina individual está etiquetada de acuerdo con el código J1940 (Small Engine Power & Torque Rating Procedure) de la SAE (Society of Automotive Engineers), y está clasificada de conformidad con el código SAE J1995. Los valores de torsión se obtienen a 2600 RPM en los motores que indican "rpm" en la etiqueta y a 3060 RPM en los otros; los valores de potencia en caballos de fuerza se obtienen a 3600 RPM. Las curvas de potencia bruta se pueden ver en www.BRIGGSandSTRATTON.COM. Los valores de potencia neta se obtienen con un filtro de aire y escape instalado, mientras que los valores de potencia bruta se recopilan sin estos accesorios. La potencia bruta real del motor es superior a la neta y depende, entre otros factores, de las condiciones ambientales de uso y de las variaciones entre distintos motores del mismo modelo. Dada la amplia

gama de productos donde se instalan los motores, es posible que el motor de gasolina no desarrolle la potencia bruta nominal cuando se utiliza en un equipo motorizado determinado. Esta diferencia se debe, entre otros factores, a: accesorios (filtro de aire, escape, carga, refrigeración, carburador, bomba de combustible, etc.), limitaciones de la aplicación, condiciones ambientales de uso (temperatura, humedad, altitud) y variaciones entre distintos motores de un mismo modelo. A causa de las limitaciones de fabricación y de capacidad, Briggs & Stratton podrá sustituir este motor por un motor con mayor clasificación de potencia.

Garantía

Garantía de los motores Briggs & Stratton®

A partir de agosto de 2022

Garantía Limitada

Briggs & Stratton garantiza que, durante el periodo de garantía especificado a continuación, reparará o reemplazará, sin cargo, por una pieza nueva, reacondicionada o reconstruida, según el criterio único de Briggs & Stratton, cualquier pieza defectuosa en cuanto a materiales, mano de obra o ambos. El comprador será responsable de pagar los cargos de transporte relativos a los productos enviados para reparación o sustitución según esta garantía. Esta garantía se mantiene vigente durante los periodos de tiempo indicados a continuación y está sujeta a dichos periodos y a las condiciones que se indican a continuación. Para recibir servicio de garantía, localice al distribuidor de servicio técnico autorizado más cercano en nuestro mapa de localización de distribuidores en BRIGGSandSTRATTON.COM. El comprador debe ponerse en contacto con el distribuidor de servicio autorizado y hacerle llegar el producto para que lo inspeccione y lo pruebe.

No existe otra garantía expresa. Las garantías implícitas, inclusive aquellas de comerciabilidad y de idoneidad para un propósito en particular se limitan a un año a partir de la fecha de compra o hasta los límites permitidos por la ley. Quedan excluidas todas y cualesquiera garantías implícitas. La responsabilidad por daños accidentales o emergentes queda excluida en la medida en que ello venga permitido conforme a derecho. Algunos estados o países no contemplan limitaciones en cuanto a la duración de una garantía implícita y otros estados o países no permiten la exclusión o limitación de daños indirectos o incidentales, en cuyo caso la limitación y la exclusión anteriores puede que no se apliquen en su caso. Esta garantía le otorga derechos legales específicos; también podría tener otros derechos que varían según el estado o el país.

Términos de la garantía estándar ^{1, 2}
Vanguard®, Commercial Series
Uso del consumidor: 36 meses
Uso comercial: 36 meses
Serie XR
Uso del consumidor: 24 meses
Uso comercial: 24 meses
Todos los demás motores con camisa de cilindro de fundición Dura-Bore™
Uso del consumidor: 24 meses
Uso comercial: 12 meses
Todos los demás motores
Uso del consumidor: 24 meses
Uso comercial: 3 meses

¹ Estos son los términos de nuestra garantía estándar, pero en algunos casos puede haber cobertura de garantía adicional no determinada en el momento de la publicación. Para ver la lista de términos actuales de la garantía para su motor, acceda a BRIGGSandSTRATTON.com o contacte con su distribuidor de servicio técnico autorizado Briggs & Stratton.

² No están cubiertos por la garantía los motores montados en equipos utilizados para suministrar energía en lugar de un servicio o para generadores de reserva utilizados para fines comerciales, vehículos todoterreno que excedan los 25 MPH, o motores utilizados en competiciones deportivas o en pistas comerciales o de alquiler.

*En Australia, nuestros productos están cubiertos por garantías ineludibles de acuerdo con la legislación sobre consumo de este país. Tiene derecho a una sustitución o un reembolso por una avería importante y a compensación por cualquier otra pérdida o daño razonablemente previsible. También tiene derecho a una reparación o sustitución de productos si estos no son de una calidad aceptable y la avería no asciende a una avería importante. Para el servicio de garantía, busque el distribuidor de servicio técnico autorizado más cercano en el mapa localizador de distribuidores en BRIGGSandSTRATTON.COM, llame para ello al 1300 274 447, o envíe un correo electrónico u ordinario a salesenquiries@briggsandstratton.com.au, Briggs & Stratton Australia Pty Ltd, 1 Moorebank Avenue, NSW, Australia, 2170.

El periodo de garantía comienza en la fecha de compra por el primer usuario final de consumo minorista o comercial, y continúa durante el periodo de tiempo que se indica en la tabla anterior. "Uso del consumidor" significa uso doméstico residencial personal por un consumidor minorista. "Uso comercial" significa todos los demás usos, como el uso para fines comerciales, de producción de renta o de alquiler. Una vez que el

motor haya sido utilizado para uso profesional, será considerado como motor de uso profesional con respecto a esta garantía.

No es necesario registrar la garantía para obtener garantía sobre los productos Briggs & Stratton. Guarde su comprobante de compra. Si no aporta la prueba de la fecha de compra inicial en el momento de solicitar el servicio de garantía, se utilizará la fecha de fabricación del producto para determinar el periodo de garantía.

Sobre su garantía

Esta garantía cubre únicamente motores con material y/o mano de obra defectuosos, y no reemplazará ni reembolsará el equipo en el que esté montado el motor. El mantenimiento rutinario, las puestas a punto, el ajuste o el desgaste normal no están cubiertos por esta garantía. Del mismo modo, la garantía no es aplicable si el motor ha sido alterado o modificado o si el número de serie del motor ha sido borrado o eliminado. Esta garantía no cubre daños al motor o problemas de rendimiento provocados por:

1. El uso de repuestos no originales de Briggs & Stratton;Briggs & Stratton
2. El funcionamiento del motor con aceite lubricante insuficiente, contaminado o del tipo incorrecto;
3. El uso de combustible contaminado o pasado, o gasolina formulada con más del 10 % de etanol, o el uso de combustibles alternativos como gas de petróleo licuado o gas natural en motores no diseñados o fabricados originalmente por Briggs & Stratton para operar con tales combustibles;
4. Suciedad en el motor acumulada por un mantenimiento o un montaje inadecuados del filtro de aire;
5. El impacto de un objeto contra la cuchilla de una cortadora de césped rotativa, un montaje flojo o incorrecto de adaptadores de la cuchilla, impulsores u otros dispositivos acoplados al cigüeñal, o un apriete excesivo de la correa en V;
6. Piezas o conjuntos asociados tales como embragues, transmisiones, mandos del equipo, etc., no suministrados por Briggs & Stratton;
7. El sobrecalentamiento causado por los recortes de hierba, la suciedad o la presencia de nidos de roedores que taponan u obstruyen las aletas de refrigeración o la zona del volante, o por hacer funcionar el motor sin una ventilación suficiente;
8. Unas vibraciones excesivas debidas a un exceso de velocidad, a un montaje del motor flojo, cuchillas o impulsores desequilibrados o flojos, o el acoplamiento incorrecto de componentes del equipo al cigüeñal;
9. Un uso incorrecto, falta de mantenimiento rutinario, transporte, manipulación o almacenamiento del equipo, o un montaje incorrecto del motor.

El servicio bajo garantía solo lo prestan los distribuidores de servicio técnico autorizado Briggs & Stratton. Localice su distribuidor de servicio técnico autorizado más cercano en nuestro mapa localizador de distribuidores en BRIGGSandSTRATTON.COM o llame al número 1-800-444-7774 (en EE. UU.).

80114782 (Revisión A)

Yleisiä tietoja



Tästä käyttöohjeesta löytyy turvallisuustietoja moottoriin liittyvistä vaaroista ja riskeistä sekä siitä, miten niitä voidaan ehkäistä. Ohjeessa selitetään myös tämän moottorin oikeanlainen käyttö ja huolto. Näiden ohjeiden lukeminen, ymmärtäminen ja tarkka noudattaminen on tärkeää. **Säilytä tämä ohjekirja mahdollista tulevaa tarvetta varten.**

HUOMIO: Tämän ohjekirjan kuvat ja kuvitus ovat ainoastaan tiedoksi. Ne saattavat poiketa omasta mallistasi. Käytä oman moottorisi kokoonpanoa vastaavia kuvia. Keskustele tarvittaessa valtuutetun huoltoliikkeen kanssa.

Kirjaa muistiin ostopäivä, moottorin malli, tyyppi, varustetaso sekä moottorin sarjanumero varaosien hankkimista varten. Nämä numerot löytyvät moottorista. Katso kohta **Toiminnot ja hallintalaitteet**.

Ostopäivä	
Moottorin malli – Tyyppi – Varustelutaso	
Moottorin sarjanumero	

Euroopan pääkonttorin yhteystiedot

Jos sinulla on kysyttävää eurooppalaisista päästötasosta, voit ottaa yhteyttä Euroopan pääkonttoriimme osoitteessa:

Max-Born-Straße 2, 68519 Viernheim, Saksa.

Euroopan unioni (EU) Vaihe V (5): Hiilidioksidiarvot (CO2)

Löydät Briggs & Strattonin EU-tyyppihyväksytyjen moottoreiden hiilidioksidiarvot kirjoittamalla "CO2" BriggsandStratton.com-sivuston hakuruutuun.

Käyttäjän turvallisuus

Varoitusmerkki ja varoitussanat



Turvallisuusvaroituksen symboli viittaa turvallisuusohjeisiin, joiden noudattamatta jättäminen saattaa johtaa loukkaantumiseen. Varoitussanaa (**VAARA**, **VAROITUS** tai **HUOMAUTUS**) käytetään osoittamaan mahdollisen vamman todennäköisyyttä ja mahdollista vakavuutta. Lisäksi varoitusmerkkiä käytetään osoittamaan vaaran tyyppiä.

VAARA merkitsee vaaraa, joka saattaa, mikäli sitä ei vältetä, johtaa vakavaan loukkaantumiseen tai kuolemaan.

VAROITUS tarkoittaa vaaraa, joka toteutuessaan voi johtaa kuolemaan tai vakavaan vammaan.

HUOMIO tarkoittaa vaaraa, joka toteutuessaan voi aiheuttaa lievän tai kohtalaisen vamman.

HUOMAA tarkoittaa tärkeitä, mutta ei vaaroihin liittyviä tietoja.

Varoitusmerkit ja niiden selitykset

Turvallisuustietoa vaaroista, jotka voivat johtaa henkilövahinkoihin.	Lue ja ymmärrä käyttöohjekirja ennen laitteen käyttöä tai huoltoa.
Tulipalon vaara	Räjähdyksivaara
Sähköiskun vaara	Myrkyllisten kaasujen vaara
Kuumien pintojen vaara	Takapotkun vaara

Raajan irtoamisen vaara – liikkuvia osia	Polttoaineen määrä – maksimi Ei saa ylittää
--	--

Turvallisuusviestit



VAROITUS

Briggs & Stratton® -moottoreita ei ole suunniteltu käytettäväksi eikä niitä saa käyttää kartingautojen, lasten ajoneuvojen, vapaa-ajan tai urheilukäyttöön tarkoitettujen mönkijöiden, moottoripyörien, ilmatyynyalusten tai ilmailuvälineiden voimanlähteenä tai ajoneuvoissa, joita käytetään kilpailuissa, joita Briggs & Stratton ei ole hyväksynyt. Lisätietoja kilpailutuotteistamme löytyy osoitteesta www.briggsracing.com. Halutessasi tietoja tuotteen käytöstä hyötyajoneuvoissa ja mönkijöissä, ota yhteyttä Briggs & Stratton Power Application Center -keskukseen, 1-866-927-3349. Moottorin vääränlainen käyttö saattaa aiheuttaa vakavan vammautumisen tai kuoleman.

Kierrätystiedot



Kaikki pahvit, laatikot, käytetty öljy ja akut tulee kierrättää viranomaisten antamien säädösten mukaisesti.

Toiminnot ja hallintalaitteet Moottorin hallintalaitteet

Vertaa kuvien 1, 2 ja 3 viitekirjaimia seuraavan luettelon moottorin ohjaimiin¹:

- Moottorin tunnistenumeroit **Malli – Tyyppi – Varustelutaso**
- Polttoainesäiliö ja korkki
- Ilmansuodatin, yläkiinnitys
- Ilmansuodatin, alakiinnitys
- Narukäynnistimen kahva
- Öljyn mittatikku, ylempi
- Öljyn mittatikku, alempi (jos asennettuna)
- Öljyntäyttöaukko
- Öljyn valutustulppa
- Äänenvaimennin, äänenvaimentimen suoja (jos asennettuna), kipinäsuojain (jos asennettuna)
- Sähköinen kaasuläpän ohjain (jos asennettuna)
- Tarkista moottorin valo (jos asennettuna)
- Puhaltimen kotelon kansi
- Avainkytkin (mikäli asennettuna)

¹ Joissakin moottoreissa tai laitteissa saattaa olla kauko-ohjaimia. Ohjainten sijainti ja toiminta löytyvät laitteen käsikirjasta.

Moottorin ohjainten symbolit ja niiden selitykset

Moottorin käyntinopeus – NOPEA	Moottorin käyntinopeus – HIDAS
Moottori – STOP	Moottori – START
Moottori – PÄÄLLÄ	

Käyttö



VAROITUS
Polttoainehöyryt syttyvät helposti ja voivat räjähtää. Tulipalo tai räjähdys voi aiheuttaa palovammoja tai kuoleman.

Jos tuntuu kaasun hajua

- Älä käynnistä moottoria.
- Älä laita sähkökytkimiä päälle.
- Älä käytä puhelinta koneen lähellä.
- Evakuoi alue.
- Ota yhteyttä palontorjuntaan.

Laitetta käytettäessä

- Moottoria tai laitetta ei saa kallistaa niin paljon, että polttoainetta pääsee vuotamaan.

Laitetta siirrettäessä

- Varmista, että polttoainesäiliö on TYHJÄ tai että polttoaineen sulkuventtiili (jos asennettuna) on SULJETTU-asennossa.

Öljymäärän tarkistus

Ennen öljyn tarkistamista tai lisäämistä

- Varmista, että moottori on vaakasuorassa.
- Poista epäpuhtaudet öljykorkin ympäriltä.
- Öljytilavuutta koskevat tiedot löytyvät **teknisistä tiedoista**.

HUOMAA

Tämä moottori on lähetetty Briggs & Strattonin tehtaalta sisältämättä öljyä. Laittevalmistajat tai -myyjät ovat saattaneet lisätä moottoriin öljyä. Varmista ennen moottorin ensimmäistä käynnistyskertaa, että öljyä on oikea määrä. Lisää öljyä tässä käyttöohjeessa selitetyllä tavalla. Mikäli käynnistät moottorin lisäämättä öljyä, moottori vaurioituu eikä takuu korvaa sen korjausta.

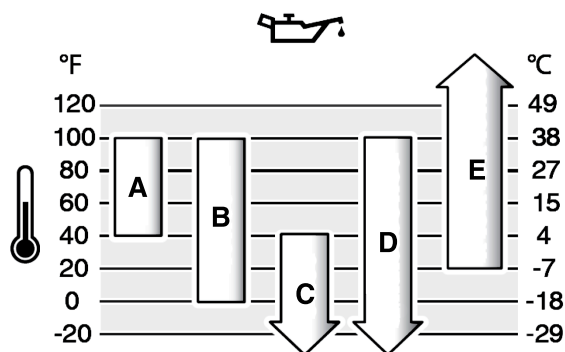
1. Poista mittatikku (A, B, C, kuva 4). Poista öljy mittatikusta kangasliinalla (A, B, C).
2. Aseta mittatikku (A, B, C, kuva 4) paikalleen.
 - a. Alakiinnitteinen mittatikku, jos asennettuna (B, kuva 4): Varmista, että mittatikussa (B) olevat öljyn täyttömerkinnät osoittavat moottorin yläosaan.
 - b. Lyhyt mittatikku tai mittatikun täyttötulppa, jos asennettuna (C, kuva 4): Käännä mittatikku (C) ja kiristä se.
3. Poista mittatikku uudelleen (A, B, C, kuva 4).
4. Tarkasta öljymäärä. Varmista, että öljytaso ulottuu täyttä säiliötä osoittavan merkin yläreunaan (D, kuva 4).
5. Jos öljyn määrä on vähäinen, lisää öljyä hitaasti toiseen moottorin täyttöaukosta (E, F, kuva 5). Älä lisää liikaa öljyä.
6. Odota minuutin verran ja tarkista öljymäärä uudelleen. Varmista, että öljymäärä on oikea.
7. Aseta mittatikku (A, B, C, kuva 4) paikalleen.

Öljyä koskevat suositukset

Öljytilavuus: Ks. osio "**Tekniset tiedot**".

Parhaan tehon saavuttamiseksi suositellaan Briggs & Stratton® -takuun sertifioimien öljyjen käyttöä. Muita korkealaatuisia puhdistavia öljyjä voidaan käyttää, jos niiden luokitus on SF, SG, SH, SJ tai korkeampi. Älä käytä erikoislisäaineita.

Valitse paras viskositeetti odotetun ulkoilman lämpötilan perusteella tästä taulukosta. Useimpien ulkokäyttöön tarkoitettujen laitteiden moottorit toimivat hyvin synteettisellä 5W-30-viskositeetin öljyllä. Parhaan suojan korkeissa lämpötiloissa käytettävillä laitteilla antaa synteettinen Vanguard® 15W-50 -öljy.



A	SAE 30 – Alle 40 °F:n (4 °C) lämpötiloissa SAE 30 -öljyn käyttö johtaa huonoon käynnistyvytyteen.
B	10W-30 – Käytettäessä 10W-30-öljyä yli 80 °F:n (27 °C) lämpötilassa öljyn kulutus saattaa lisääntyä. Öljyn määrä tulee tarkistaa usein.
C	5W-30
D	Synteettinen 5W-30
E	Vanguard® synteettinen 15W-50

Alhaisen öljymäärän suojausjärjestelmä (mikäli asennettuna)

Joissain moottoreissa on alhaisen öljymäärän anturi. Jos öljymäärä on alhainen, anturiin syttyy varoitusvalo tai se sammuttaa moottorin. Sammuta moottori ja noudata seuraavia ohjeita ennen moottorin käynnistämistä uudelleen.

- Varmista, että moottori on vaakasuorassa.
- Tarkista öljy. Katso osio **Öljytason tarkistaminen**.
- Jos öljymäärä on alhainen, lisää sopiva määrä öljyä. Käynnistä moottori ja varmista, että varoitusvalo (mikäli asennettuna) ei syty.
- Jos öljytaso ei ole alhainen, älä käynnistä moottoria. Pyydä valtuutetusta Briggs & Stratton -huoltoliikkeestä lisätietoja öljyongelman ratkaisemiseksi.

Polttoainesuosituks

Polttoaine on täytettävä seuraavat vaatimukset:

- Puhdas, tuore, lyijytön bensiini.
- Vähintään 87-oktaaninen / 87 AKI (91 RON). Korkean ilmanalan käyttöä koskevat ohjeet löytyvät jäljempänä.
- Enintään 10 % etanolia sisältävän bensiinin (gasoholin) käyttö on sallittu.

HUOMAA

Älä käytä hyväksymätöntä bensiiniä, kuten E15 ja E85. Älä sekoita öljyä bensiiniin äläkä muuta moottoria toimimaan vaihtoehtoisilla polttoaineilla. Muiden kuin hyväksytyjen polttoaineiden käyttö saattaa vahingoittaa moottorin komponentteja. Takuu ei korvaa niiden korjausta.

Sekoita polttoaineeseen alkoholiton polttoaineen lisäainetta ja etanolia suojaamaan polttoainejärjestelmää hartsin muodostumiselta ja syöpymiseltä. Katso luku **Säilytys**. Kaikki polttoaineet eivät ole samanlaisia. Polttoaineen toimittaja tai merkki tulee vaihtaa, jos moottorin käynnistyksessä tai toiminnassa esiintyy ongelmia. Tämä moottori on sertifioitu toimimaan bensiinillä. Kaasutinmoottoreiden pakokaasupäästöjen rajoitusjärjestelmä on EM (Engine Modifications, moottorin modifikaatio). Elektronisella polttoaineen ruiskutuksella varustettujen moottoreiden pakokaasupäästöjen hallintajärjestelmät ovat ECM (Engine Control Module, moottorin ohjausmoduuli), MFI (Multiport Fuel Injection, monipisteruiskutus), TBI (Throttle Body Fuel Injection, yksipisteruiskutus) ja, mikäli varusteena, O2S (Oxygen Sensor, happianturi).

Korkealla sijaitsevat alueet

Yli 5 000 jalan (1 524 metrin) korkeudessa polttoaineena tulee olla vähintään 85-oktaaninen/85 AKI:n (89 RON) bensiini.

Kaasuttimella varustettua moottoria on säädettävä korkeaa ilmanalaa vastaavaksi tehon ylläpitämiseksi. Käyttö ilman korkean ilmanalan säätöä heikentää suorituskykyä sekä lisää polttoaineen kulutusta ja päästöjä. Saat Briggs & Strattonin valtuutetusta huoltoliikkeestä lisätietoja korkean ilmanalan säädöistä. Korkean ilmanalan säätöä ei suositella, jos moottoria käytetään alle 2 500 jalan (762 metrin) korkeudessa.

Elektronisella polttoaineen ruiskutuksella toimiville moottoreille (EFI) ei ole tarpeellista suorittaa korkean paikan säätöä.

Polttoaineen lisääminen



VAROITUS
Polttoaine ja polttoainehöyryt ovat helposti syttyviä ja räjähdysherkkiä. Tulipalo tai räjähdys voi aiheuttaa palovammoja tai kuoleman.

Polttoainetta lisättäessä

- Sammuta moottori. Odota ennen polttoainesäiliön korkin irrottamista vähintään kaksi (2) minuuttia, jotta moottori on varmasti jäähtynyt.
 - Täytä polttoainesäiliö ulkona sellaisessa paikassa, jossa ilma virtaa hyvin.
 - Säiliöön ei saa lisätä liikaa polttoainetta. Älä täytä polttoainesäiliön kaulan alareunaa korkeammalle, jotta polttoaine pääsee laajenemaan.
 - Suojaa polttoaine kipinöiltä, avotulelta, sytytysliekiltä, lämmöltä ja muilta sytytyslähteiltä.
 - Tarkista usein, ettei polttoaineputkissa, polttoainesäiliössä, säiliön korkissa tai liittimissä ole murtumia eikä vuotoja. Vaihda vaurioituneet osat.
 - Jos polttoainetta läikky, odota sen haihtumista ennen moottorin käynnistämistä.
1. Puhdista lika ja roskat polttoainesäiliön korkin ympäriltä. Irrota polttoainesäiliön korkki.
 2. Täytä polttoainesäiliö (A, kuva 6) polttoaineella. Koska polttoaine laajenee, sitä ei saa lisätä polttoainesäiliön kaulan pohjan yläpuolelle (B).

- Aseta korkki takaisin.

Moottorin käynnisty



VAROITUS

MYRKYLLISEN KAASUN VAARA. Moottorin pakokaasu sisältää hääkää, joka on myrkyllistä ja saattaa olla kuolettavaa muutamassa minuutissa. Vaikka et haistaisikaan pakokaasun hajua, saatat siiltä altistua vaaralliselle hiilimonoksidikaasulle eli hääkälle. Jos sinua alkaa oksettaa tai huimata tai tunnet olosi heikoksi laitetta käyttäessäsi, hakeudu VÄLITTÖMÄSTI raittiiseen ilmaan. Hakeudu lääkärin hoitoon. Sinulla saattaa olla hääkämörkytys.

- Hiilimonoksidi eli hääkää saattaa kerääntyä suljettuihin tiloihin. Hiilimonoksidivaara vältetään käyttämällä tätä laitetta AINOASTAAN ulkotiloissa ja kaukana ikkunoista, ovista ja tuuletusaukoista.
- Asenna paristokäyttöiset hääkäävaroitimet tai verkkokäyttöiset ja paristovarmenteiset hääkäävaroitimet valmistajan ohjeiden mukaan. Savuhälyttimet eivät havaitse hiilimonoksidia.
- Tätä tuotetta EI SAA käyttää asuintiloissa, autotalleissa, kellareissa, ryömintätiloissa, vajoissa tai muissa suljetuissa tiloissa, vaikka niissä olisikin tuulettimia tai avattavia ovia ja ikkunoita ilmanvaihtoa varten. Hiilimonoksidi saattaa kerääntyä tämän tuotteen käytön jälkeen nopeasti edellä mainittuihin tiloihin ja jäädä niihin tunneiksi.
- Laite tulee AINA asettaa siten, että se on tuulen alapuolella ja että pakoputki osoittaa pois päin tiloista, joissa oleskellaan.



VAROITUS

Polttoaine ja polttoainehöyryt ovat helposti syttyviä ja räjähdysherkkiä. Tulipalo tai räjähdys voi aiheuttaa palovammoja tai kuoleman.

Moottoria käynnistettäessä

- Varmista, että sytytystulppa, äänenvaimennin, polttoainesäiliön korkki ja ilmanpuhdistin (mikäli varusteena) on asennettu oikein.
- Älä pyöritä moottoria sytytystulppa irrotettuna.
- Jos moottori tulvii, aseta rikastin (mikäli varusteena) AUKI- tai AJO-asentoon. Siirrä kaasuläppä (mikäli varusteena) NOPEA-asentoon ja väännä kampea, kunnes moottori käynnistyy.
- Jos alueella on nestekaasuvuoto, ei moottoria saa käynnistää.
- Paineistettuja käynnistysnesteitä ei saa käyttää, koska niiden höyryt sytyvät herkästi.



VAROITUS

Pyörivät osat voivat tarttua käsiin, hiuksiin tai vaatteisiin. Tästä voi seurata vakavia silpoutumia tai haavoittumista.

- Suojien tulee olla asennettuina oikein laitteen käytön aikana.
- Pidä kädet ja jalat pois pyörivistä osista.
- Ota korut pois ja varmista, että pitkät hiukset eivät joudu pyörivien osien läheisyyteen.
- Älä käytä löysiä vaatteita tai esineitä, jotka saattaisivat tarttua kiinni.



VAROITUS

Käynnistysnarun nopea vetäytyminen (takapotku) vetää kätesi ja käsivartesi moottorin päin nopeammin kuin ehdit laskea kahvasta irti. Tämä saattaa aiheuttaa luiden katkeamista, murtumia, mustelmia tai nyrjähdyskiä.

- Moottorin käynnistykseen yhteydessä tapahtuva takapotku estetään vetämällä köydestä hitaasti, kunnes vastus tuntuu, ja nykyisemällä sitten nopeasti.
- Kytke pois tai irrota kaikki ylimääräinen moottorin tai laitteen kuormitus käynnistykseen ajaksi.
- Varmista, että kaikki suoraan kytketyt komponentit, kuten esimerkiksi terät, puhaltimet, vetopyörät, hihnapyörät ja ketjupyörät on kiinnitetty tiukasti.

HUOMIO: Laite saattaa olla varustettu etäohjaimilla. Ohjainten sijainti ja toiminta löytyvät laitteen käsikirjasta.

Sähkökäynnisty

- Tarkasta öljymäärä. Katso kohta **Öljymäärän tarkistaminen**.
- Jos laitteessa on voimansiirron säätölaitteita, aseta ne vapaalle.
- Jos laitteessa on polttoaineen sulkuventtiili, siirrä se AUKI-asentoon.

- Käännä virta-avain (A, kuva 7) START-asentoon.

HUOMAA Kun virta-avain (A, kuva 7) vapautetaan, avain siirtyy PÄÄLLÄ-asentoon. Moottori jatkaa pyörimistä jollei se käynnisty. Pyörimisen voi keskeyttää kääntämällä virta-avaimen (A) POIS PÄÄLTÄ -asentoon. Jos moottori ei käynnisty, toimi seuraavasti.

- Varmista, että virta-avain (A, kuva 7) on käännetty POIS PÄÄLTÄ -asentoon. Odota kaksi sekuntia.
- Käännä virta-avain (A, kuva 7) START-asentoon.
- Jos moottori ei käynnisty, keskeytä pyöriminen ja ota yhteyttä johonkin Briggs & Strattonin valtuuttamaan huoltoliikkeeseen.

Vetokäynnisty

HUOMAA Omalle moottorillesi suositellaan sähkökäynnistystä.

- Tarkasta moottoriöljyn määrä. Katso kohta **Öljymäärän tarkistaminen**.
- Jos laitteessa on voimansiirron säätölaitteita, aseta ne vapaalle.
- Varmista, että moottori on kytketty ladattuun 12 voltin akkuun.
- Jos laitteessa on polttoaineen sulkuventtiili, siirrä se AUKI-asentoon.
- Käännä virta-avain (A, kuva 8) PÄÄLLÄ-asentoon. Vedä sitten käynnistysnarun kädensijaa (B).

Moottorin sammuttaminen

- Käännä virta-avain (A, kuva 7) POIS PÄÄLTÄ -asentoon.
- Poista avain. Säilytä sitä turvallisessa paikassa lasten ulottumattomissa.
- Kun moottori on sammunut, siirrä polttoaineen sulkuventtiili (jos asennettuna) SULJETTU-asentoon.

Moottorin vikavalo

Moottorin vikavalo (B, kuva 7) kertoo moottorin ongelmasta. Jos moottorin vikavalo palaa moottorin käydessä, ota ongelman korjaamiseksi yhteyttä valtuutettuun Briggs & Stratton -huoltoliikkeeseen mahdollisimman pian tai työn valmistumisen jälkeen. Jos moottorin vikavalo palaa ja moottori on sammunut automaattisesti, suorita seuraavat vaiheet:

- Varmista, että moottori on vaakasuorassa.
- Tarkista öljy. Katso osio **Öljytason tarkistaminen**.
- Käynnistä moottori. Katso kohta **Moottorin käynnistäminen**.
- Jos moottorin vikavalo pysyy päällä ja moottori sammuu uudelleen automaattisesti, älä käytä moottoria. Ota ongelman ratkaisemiseksi välittömästi yhteyttä valtuutettuun Briggs & Stratton -huoltoliikkeeseen.

Huolto

Huoltotiedot



VAROITUS

Polttoaine ja polttoainehöyryt ovat helposti syttyviä ja räjähdysherkkiä. Tulipalo tai räjähdys voi aiheuttaa palovammoja tai kuoleman.

Jos laitetta täytyy kallistaa huollon aikana, on varmistettava, että polttoainesäiliö on tyhjä ja että sytytystulpan puoleinen puoli on ylöspäin, jos polttoainesäiliö on kiinnitetty moottoriin. Jos polttoainesäiliö ei ole tyhjä, voi mahdollinen vuoto aiheuttaa tulipalon tai räjähdysen. Jos moottori on kallistettuna johonkin toiseen suuntaan, se ei käynnisty helposti, koska öljy tai polttoaine aiheuttaa ilmansuodattimen tai sytytystulppien kontaminaation.



VAROITUS

Tahaton moottorin kipinä voi aiheuttaa sähköiskun, tulipalon tai räjähdysen ja se saattaa aiheuttaa osiin tarttumisen, raajojen irtileikkautumisen tai silpoutumisen.

Ennen säätöjä tai korjaustoimenpiteitä:

- Irrota kaikki sytytystulppien johdot ja pidä ne kaukana sytytystulppista.
- Irrota akun kaapeli miinusnavasta (vain sähkökäynnisteiset mallit).
- Käytä vain asianmukaisia työkaluja.

Kipinää tarkastettaessa:

- Käytä hyväksyttyä sytytystulpan testeriä.
- Kipinäntiä ei saa tarkistaa sytytystulpan ollessa irti.



VAROITUS

Varaosien on oltava samanlaisia, ja ne on asennettava samaan asentoon kuin alkuperäisetkin osat. Myös muut osat saattavat vaurioitua.

HUOMAA

Kaikki tämän moottorin valmistuksessa käytettyjen osien on oltava paikoillaan, jotta laite toimisi kunnolla.

Ota yhteyttä valtuutettuun Briggs & Stratton -huoltoliikkeeseen kaikissa moottoreiden huoltoon, korjaukseen ja varaosiin liittyvissä kysymyksissä.

Pakokaasujen puhdistusjärjestelmän huolto

Pyydä jotakin liikkuvia työkoneita huoltavaa korjaamaa tai teknikkoo suorittamaan pakokaasujen puhdistusjärjestelmän osien huolto, vaihto tai korjaus. Ilmainen pakokaasupäästöjen tarkastus on kuitenkin hyödynnettävissä vain silloin, kun työn tekijänä on joku tehtaan valtuuttama jälleenmyyjä. Katso lisätietoja pakokaasujen puhdistusjärjestelmää koskevista lausekkeista.

Huoltoaikataulu

5 ensimmäisen käyttötunnin jälkeen
<ul style="list-style-type: none">Öljynvaihto.
8 tunnin välein tai päivittäin
<ul style="list-style-type: none">Tarkasta moottoriöljyn määrä.Puhdista äänenvaimentimen ympärillä oleva alue.Puhdista ilmanottoaukon ritilä.
100 tunnin välein tai vuosittain
<ul style="list-style-type: none">Huolla pakojärjestelmä.
200 tunnin välein tai vuosittain
<ul style="list-style-type: none">Moottoriöljyn vaihtaminen.Puhdista ilmansuodatin¹
600 tunnin tai kahden vuoden välein
<ul style="list-style-type: none">Vaihda ilmansuodin.Polttoainesuodattimen vaihtaminen¹
Vuosittain
<ul style="list-style-type: none">Vaihda sytytystulppa.Huolla polttoainejärjestelmä.Huolla jäähdytysjärjestelmä¹.Tarkista venttiilivälilykset².

¹Puhdista useammin pölyisissä olosuhteissa tai jos ilmassa on runsaasti hiukkasia.

²Ei tarpeen, ellei moottorissa havaita ongelmia.

Elektroninen polttoaineen ruiskutusjärjestelmä (EFI)

EFI-järjestelmä valvoo moottorin lämpötilaa, moottorin käyntinopeutta ja akkujännitettä moottorin käynnistyksen ja lämpenemisen aikana. Järjestelmää ei voida säätää. Jos käynnistyksessä tai toiminnassa ilmenee ongelmia, ota yhteys valtuutettuun Briggs & Stratton -huoltoliikkeeseen.

HUOMAA Varmista, että noudatat seuraavia ohjeita, jotta EFI-järjestelmä ei vaurioidu.

- ÄLÄ koskaan käynnistä moottoria, jos akun kaapelit ovat löysällä.
- Käännä avain POIS PÄÄLTÄ-asentoon ennen akun irtikytkemistä, irrottamista ja/ tai asennusta.
- ÄLÄ koskaan käytä akkulaturia moottorin käynnistämiseen.
- ÄLÄ koskaan irrota akun kaapeleita moottorin ollessa käynnissä.
- Kun kytket akun kaapeleita, kytke akkuun ensin pluskaapeli (+) ja sitten miinuskaapeli (-).
- Kun lataat akkua, käännä virtalukko POIS PÄÄLTÄ-asentoon ja kytke miinuskaapeli (-) irti akusta.
- ÄLÄ suihkuta vettä suoraan elektroniselle ohjausyksikölle.

Sytytystulppien huolto

Tarkista sytytystulppien kärkiväli (A, kuva 9) lankatulkilla (B). Säädä tarvittaessa sytytystulppien kärkiväliä. Asenna sytytystulppa ja kiristä se asianmukaiseen momenttiin. Tarkemmat kärkiväliä ja vääntömomenttia koskevat tiedot löytyvät kohdasta **Tekniset tiedot**.

Sytytystulppaa käsiteltäessä moottorin täytyy olla POIS PÄÄLTÄ -asennossa. Irrota sytytystulpan johto (D, kuva 10) ja pidä se kaukana sytytystulpastasta (E).

Joissakin EFI-ETC-malleissa sytytystulppien käsittely edellyttää lämpösuojan irrottamista. Sytytystulppiin pääsee käsiksi noudattamalla seuraavia ohjeita.

- Vapauta punainen kieleke (A, kuva 11) liittimestä (B).
- Työnnä mustaa kielekettä (C, kuva 11) vetäen samalla liitintä (B) sytytyspuolasta (D).

- Irrota likaventtiili (E, kuva 11).
- Irrota yläruuvi (F, kuva 11) ja sivuruuvi (G) kannattimesta (H).
- Irrota lämpösuoja (H, kuva 11).
- Irrota sytytyspuola (D, kuva 11).
- Vaihda sytytystulppa (I, kuva 12).
- Laita sytytyspuola (D, kuva 11) paikalleen.
- Laita kannatin paikalleen (H, kuva 11).
- Laita yläruuvi (F, kuva 11) ja sivuruuvi (G) paikalleen kannattimeen (H).
- Laita likaventtiili (E, kuva 11) paikalleen.
- Kiinnitä liitin (B, kuva 11) sytytyspuolaan (D).
- Lukitse punainen kieleke (A, kuva 11).

Pako- ja jäähdytysjärjestelmien huolto



VAROITUS Moottori ja äänenvaimennin kuumenevat käytön aikana. Kuuman moottorin koskettaminen voi aiheuttaa palovammoja.

Syttymisherkät aineet, kuten lehdet, ruoho tai pensaat, voivat syttyä tuleen.

- Sammuta moottori ja odota kaksi (2) minuuttia ennen moottoriin tai äänenvaimentimeen koskemista. Varmista, että on turvallista koskea moottoriin tai äänenvaimentimeen.
- Poista roskat moottorista ja äänenvaimentimesta.

Kalifornian luonnonvaralain 4442 §:n nojalla on kiellettyä käyttää moottoria metsä-, pensas- tai ruohopeitteisellä maalla tai sellaisen lähellä, ellei pakojärjestelmään ole asennettu 4442 §:ssä esitettyjen määritelmien mukaista toimintakuntoista kipinäsuojaa. Muissa osavaltioissa tai muilla liittovaltiollisilla oikeudenkäyttöalueilla saattaa olla samankaltaisia lakeja; ks. Code of Federal Regulations - säännöstö (CFR) 36 osa 261.52. Ota yhteys alkuperäisen laitteen valmistajaan, jälleenmyyjään tai vähittäiskauppiaseen saadaksesi tälle moottorille suunniteltuun pakokaasujärjestelmään sopivan kipinänsammuttimen.

Tämä on ilmajäähdytteinen moottori. Lika tai epäpuhtaudet saattavat estää ilman virtaamisen ja aiheuttaa moottorin ylikuumentumista. Tämä heikentää moottorin toimintakuntoa sekä lyhentää sen käyttöikää. Sylinterin jäähdytysripoihin saattaa kerääntyä epäpuhtauksia, joita ei voi poistaa purkamatta moottoria osittain. Pyydä jotakin Briggs & Strattonin valtuuttamaa huoltoliikettä tutkimaan ja puhdistamaan jäähdytysjärjestelmän. Ks. "**Huoltovälili**".

- Varmista, että äänenvaimentimen ympärillä tai takana ei ole palavia aineita.
- Poista kaikki epäpuhtaudet puhaltimen kotelon kannesta, äänenvaimentimesta ja sylinterin läheisyydestä harjalla tai kuivalla liinalla. Moottorin puhdistamiseen EI SAA käyttää vettä.
- Varmista, että vivusto, jouset ja ohjaimet ovat puhtaat.
- Tarkista, ettei äänenvaimentimessa ole halkeamia, syöpymistä tai muita vaurioita.
- Poista ilmanohjain tai kipinäsuoja (mikäli varusteena) ja tarkista, ettei siinä ole vaurioita tai hiilen aiheuttamia tukoksia. Varmista, että varaosat on puhdistettu tai asennettu paikoilleen ennen laitteen käyttöä.
- Jos sellaiset on varusteina, varmista, että öljynjäähdyttimen rivat ovat puhtaat.

Moottoriöljyn vaihtaminen



VAROITUS Polttoaine ja polttoainehöyryt ovat helposti syttyviä ja räjähdysherkkiä. Tulipalo tai räjähdys voi aiheuttaa palovammoja tai kuoleman.

Moottori ja äänenvaimennin kuumenevat käytön aikana. Kuuman moottorin koskettaminen voi aiheuttaa palovammoja.

- Jos öljy valutetaan pois yläpuolisen täyttöputken kautta, on polttoainesäiliön oltava tyhjä. Jos se ei ole tyhjä, mahdollinen polttoainevuoto voi aiheuttaa tulipalon tai räjähdysriskin.
- Sammuta moottori ja odota kaksi (2) minuuttia ennen moottoriin tai äänenvaimentimeen koskemista. Varmista, että on turvallista koskea moottoriin tai äänenvaimentimeen.

Käytetty öljy on vaarallista jätettä, ja se on hävitettävä asianmukaisesti. Älä hävitä sitä talousjätteen mukana. Pyydä paikallisilta jätehuoltoviranomaisilta, huollosta tai jälleenmyyjältä tietoja turvallisesta hävittämisestä tai kierrätyspaikoista.

Öljyn poistaminen

- Kun moottori on POIS PÄÄLTÄ mutta lämmin, irrota sytytystulpan johto (D, kuva 10) ja pidä se loitolla sytytystulpastasta (E). Lämpösuojalla (kuva 11) varustetuissa moottorimalleissa sytytystulpan johto irrotetaan seuraavalla tavalla:
 - Vapauta punainen kieleke (A, kuva 11) liittimestä (B).

- b. Työnnä mustaa kielekettä (C, kuva 11) vetään samalla liitintä (B) puolasta (D).
- Poista mittatikku (A, B, C, kuva 4).
 - Irrota toinen öljyn tyhjennystulpista (F, G kuva 13). Valuta öljy tarkoitukseen sopivaan asiaan.
 - Laita öljyn tyhjennysluppa (F, G, kuva 13) paikoilleen ja kiristä se.

Öljyn lisääminen

- Varmista, että moottori on vaakasuorassa.
 - Poista epäpuhtaudet öljykorkin ympäriltä.
 - Öljytilavuutta koskevat tiedot löytyvät **teknisistä tiedoista**.
- Poista mittatikku (A, B, C, kuva 4).
 - Lisää öljyä hitaasti yhteen moottoriöljyn täyttöaukoista (E, F, kuva 5). Älä laita öljyä liikaa.
 - Laita mittatikku (A, B, C, kuva 4) paikalleen.
 - Pidennetty mittatikku (jos asennettuna) (B, kuva 4): Varmista, että mittatikussa (B) olevat öljyn täyttömerkinnät osoittavat moottorin yläosaan päin.
 - Lyhyt mittatikku tai mittatikuksen täyttöluppa, jos asennettuna (C, kuva 4): Käännä mittatikku ja kiristä se (C).
 - Poista mittatikku (A, B, C, kuva 4) uudelleen.
 - Tarkasta öljymäärä. Varmista, että oikea öljytaso ulottuu täyttä säiliötä osoittavan merkin yläreunaan (D, kuva 4).
 - Laita mittatikku uudelleen paikalleen (A, B, C, kuva 4).
 - Kytke syytystulpan johto (D, 10) syytystulppaan (E). Jos kyseessä on lämpösuojalla (kuva 11) varustettu moottorimalli, syytystulpan johto kytketään seuraavalla tavalla:
 - Asenna liitin (B, kuva 11).
 - Lukitse punainen kieleke (A, kuva 11).

Ilmanpuhdistimen huolto



VAROITUS Polttoainehöyryt syttyvät helposti ja voivat räjähtää. Tulipalo tai räjähdys voi aiheuttaa palovammoja tai kuoleman.

- Moottoria ei saa käynnistää tai käyttää, jos ilmanpuhdistin (mikäli varusteena) tai ilmansuodatin (mikäli varusteena) on irrotettu.

HUOMAA

Älä käytä suodattimen puhdistamiseen paineilmaa tai liuottimia. Paineilma voi vahingoittaa suodatinta ja liuottimet sulattavat sen.

Katso huoltovaatimukset **Huoltoaikataulusta**.

Malleissa on joko vaahtomuovi- tai paperisuodatin. Joissakin malleissa saattaa lisäksi olla esisuodatin, joka voidaan pestä ja käyttää uudelleen. Vertaa tämän käyttöoppaan kuvitusta omaan koneeseesi asennettuun malliin ja huolla se seuraavalla tavalla.

Paperinen ilmansuodatin

- Löysää kiinnike/kiinnikkeet (C, kuva 14).
- Irrota kansi (A, kuva 14) ja suodatin (B).
- Irrota roskat napauttamalla suodatinta kevyesti (B, kuva 14) kovaa pintaa vasten. Jos suodatin on likainen, vaihda se uuteen.
- Asenna suodatin (B, kuva 14).
- Asenna kansi (A, kuva 14) paikalleen ja kiinnitä kiinnikkeellä/kiinnikkeillä (C). Varmista, että kiinnikkeet ovat tiukalla.

Paperinen ilmansuodatin – matalaprofiilinen

- Siirrä salpaa avataksesi (A, kuva 15) kannen (C) lukituksen.
- Paina kielekkeet sisään (B, kuva 15) ja irrota kansi (C).
- Irrota suodatin (D, kuva 15).
- Irrota roskat napauttamalla suodatinta kevyesti (D, kuva 15) kovaa pintaa vasten. Jos suodatin on likainen, vaihda se uuteen.
- Asenna suodatin (D, kuva 15).
- Laita kansi paikalleen (C, kuva 15). Siirrä salpa (A) lukittuun asentoon.

HUOMIO: Tarkasta vaahtomuovitiivisteiden istuvuus (E, kuva 15). Varmista, että reunan vaahtomuovitiiviste on kanavassa (F) oikealla paikallaan.

Polttoainejärjestelmän huolto



VAROITUS Polttoaine ja polttoainehöyryt ovat helposti syttyviä ja räjähdysherkkiä. Tulipalo tai räjähdys voi aiheuttaa palovammoja tai kuoleman.

- Suojaa polttoaine kipinöiltä, avotulelta, sytytysliekiltä, lämmöltä ja muilta sytytyslähteiltä.
- Tarkista usein, ettei polttoaineputkissa, polttoainesäiliössä, säiliön korkissa tai liittimissä ole murtumia eikä vuotoja. Vaihda vaurioituneet osat.
- Jos polttoainetta läikkyä, odota sen haihtumista ennen moottorin käynnistämistä.

Polttoainesuodatin, mikäli asennettuna

- Tyhjennä polttoainesäiliö tai sulje polttoaineen sulkuventtiili (A, kuva 16) ennen polttoainesuodattimen vaihtamista. Jos polttoainesäiliötä ei tyhjennetä, polttoaine saattaa valua ulos ja aiheuttaa tulipalon tai räjähdysriskin.
- Purista kiinnikkeissä (C) olevia kielekkeitä (B, kuva 16) pihdeillä. Siirrä kiinnikkeet sitten pois polttoainesuodattimelta (A).
- Käännä ja vedä polttoaineletkut (D, kuva 16) irti polttoainesuodattimesta.
- Tarkasta, onko polttoaineputkistossa (D, kuva 16) halkeamia tai vuotokohtia. Vaihda polttoaineletkut tarvittaessa.
- Vaihda polttoainesuodatin (A, kuva 16).
- Kiinnitä polttoaineletkut (D, kuva 16) kiinnikkeillä (C).

Polttoainesiivilä, jos asennettuna

- Irrota polttoainesäiliön korkki (A, kuva 17).
- Irrota polttoainesiivilä (B, kuva 17).
- Jos polttoainesiivilä on likainen, puhdista tai vaihda se. Jos vaihdat polttoainesiivilän, varmista, että käytät alkuperäistä varaosasiivilää.

Varastointi

Polttoainejärjestelmä

Katso kuvaa: 18.



VAROITUS Polttoaine ja polttoainehöyryt ovat helposti syttyviä ja räjähdysherkkiä. Tulipalo tai räjähdys voi aiheuttaa palovammoja tai kuoleman.

Polttoaineen säilytys

- Koska sytytysliekit ja muut syttymislähteet saattavat aiheuttaa räjähdysriskin, tulee polttoaine tai laite säilyttää kaukana lämmityskattiloista, uuneista, vedenlämmittimistä tai muista sytytysliekillä varustetuista laitteista.

Säilytä moottoria vaakatasossa oikeassa käyttöasennossa. Täytä polttoainesäiliö (A, kuva 18) polttoaineella. Älä täytä polttoainesäiliötä yli sen kaulan (B), jotta polttoaineen laajenemiselle jäisi tilaa.

Polttoaine saattaa vanhentua, jos sitä säilytetään polttoainesäiliössä yli 30 päivää. Alkoholitonta polttoaineen lisäainetta tai etanollisäainetta suositellaan lisättäväksi polttoaineen säilytysastiaan. Lisäaine pitää polttoaineen tuoreena ja vähentää polttoaineesta tai polttoainejärjestelmän kontaminaatiosta johtuvia ongelmia.

Kun täytät polttoainesäiliötä polttoaineella, lisää alkoholitonta polttoaineen lisäainetta annettujen ohjeiden mukaan. Jos moottorin polttoainetta ei ole käsitelty lisäaineella, se on tyhjennettävä hyväksyttävään säiliöön. Käytä moottoria, kunnes polttoaine on loppunut.

Moottoriöljy

Vaihda moottoriöljy kun moottori on vielä lämmin. Katso kohdasta **Moottoriöljyn vaihtaminen**.

Vianmääritys

Tuki

Lisäohjeita saat ottamalla yhteyttä paikalliseen jälleenmyyjään, siirtymällä osoitteeseen **BRIGGSandSTRATTON.COM** tai soittamalla numeroon **1-800-444-7774** (Yhdysvalloissa).

Tekniset tiedot ja huolto-osat

Malli: 25E300	
Iskutilavuus	24.898 ci (408 cc)
Männän halkaisija	3.465 in (88 mm)
Iskun pituus	2.638 in (67 mm)
Öljytilavuus	28-32 oz (.82 - .95 l)

Malli: 25E300	
Sytytystulpan kärkiväli	.030 in (,76 mm)
Sytytystulpan kiristysmomentti	170 tuumapauna (19,2 Nm)
Nopeusanturin ilmäväli	.010 - .015 in (,254 - ,381 mm)
Imuventtiilin välys	.004 - .006 in (,10 - ,15 mm)
Pakovoventtiilin välys	.006 - .008 in (,15 - ,20 mm)

Moottorin teho laskee 3,5 % jokaista 1 000 jalkaa (300 metriä) kohden merenpinnan yläpuolella ja 1 % kutakin 10 °F (5,6 °C) kohden yli 77 °F (25 °C) lämpötilassa. Moottori toimii moitteettomasti aina 30° kulmaan saakka. Katso käyttöohjekirjasta turvalliset käyttöraajat kaltevilla pinnoilla.

Huolto-osat

Voit ostaa Briggs & Stratton -varaosia etsimällä valtuutetun huoltoliikkeen osoitteessa BRIGGSandSTRATTON.COM.

Tunnistenumero tarvitaan (malli – tyyppi – trimmi). Löytääksesi moottorin tunnistenumeron katso ohjeet osiosta ”**Ominaisuudet ja hallintalaitteet**”.

Tehoarvot

Bruttoteholuokitus yksittäisille bensiinimoottorimalleille on merkitty pienten moottorien tehon ja vääntömomentin luokittelua koskevan SAE-standardin (Society of Automotive Engineers) J1940 (Small Engine Power & Torque Rating Procedure) mukaan, ja se on mitoitettu SAE J1995:n mukaisesti. Vääntömomenttiarvot on saatu käyntinopeudella 2 600 r/min, jos moottorin käyntinopeus on mainittu tarrassa, ja muussa tapauksessa käyntinopeudella 3 060 r/min; hevosvoima-arvot käyntinopeudella 3 600 r/min. Bruttotehokäyrät ovat nähtävissä sivustolla www.BRIGGSandSTRATTON.COM. Nettotehoarvot on mitattu pakoputki ja ilmanpuhdistin asennettuina, mutta bruttotehoarvot mitataan ilman näitä oheislaitteita. Moottorin todellinen bruttoteho on nettotehoa suurempi, ja siihen vaikuttavat mm. ympäristön käyttöolosuhteet ja moottorikohtaiset vaihtelut. Koska moottoreita asennetaan hyvin erilaisiin laitteisiin, bensiinimoottori ei välttämättä saavuta sille arvioitua bruttotehoa yksittäisessä moottoroidussa laitteessa. Tämä ero johtuu monista eri tekijöistä, esimerkiksi moottorin osien erillisyydestä (ilmanpuhdistin, pakoputki, lataus, jäähdytys, kaasutin, polttoainepumppu, jne.), käyttörajoituksista, ympäristön käyttöolosuhteista (lämpötila, kosteus, korkeus) ja moottorien yksilöllisestä vaihtelusta. Valmistus- ja kapasiteettirajoitusten vuoksi Briggs & Stratton voi vaihtaa moottorin saman sarjan tehokkaampaan versioon.

Takuu

Briggs & Stratton® -moottorin takuu

Voimassa alkaen elokuusta 2022

Rajoitettu takuu

Briggs & Stratton takaa, että jäljempänä määritellyn takuuaikana se korjaa tai vaihtaa velloituksetta oman harkintansa mukaan materiaali- ja/tai valmistusvirian sisältävän osan uuteen, kunnostettuun tai uudelleenvalmistettuun osaan. Ostajan on maksettava takuukorjattavan tai takuuvaihdettavan tuotteen kuljetuskustannukset. Tämä takuu on voimassa jäljempänä esitetyin ajan ja jäljempänä esitetyillä ehdoilla. Jos tarvitsit takuuhuoltoa, etsi lähin valtuutettu huoltoliike löytyy Etsi lähin jälleenmyyjä -työkalulla osoitteesta BRIGGSandSTRATTON.COM. Ostajan täytyy olla yhteydessä valtuutettuun huoltomyyjään ja toimittaa tuote valtuutetulle huoltomyyjälle tarkastettavaksi ja testattavaksi.

Muuta nimenomaista takuuta ei myönnetä. Konkluudenttiset takuut, myös kaupakelpoisuutta ja käyttötarkoitukseen sopivuutta koskevat takuut, on rajattu yhteen vuoteen ostopäivästä tai lain sallimiin rajoihin. Muita konkluudenttisia takuita ei myönnetä. Vastuu vällillisistä tai oheisvahingoista ei kuulu tämän takuun piiriin siinä määrin, kuin lainsäädäntö tällaisen takuusrajoituksen sallii. Jotkin osavaltiot tai maat eivät salli rajoituksia sen suhteen, kuinka pitkään epäsuora takuu kestää, ja jotkin osavaltiot tai maat eivät salli satunnaisten tai vällillisten vahinkojen poissulkemista tai rajoittamista, joten edellä mainittu rajoitus ja poissulkeminen ei välttämättä koske sinua. Tämä takuu antaa teille nimenomaiset lailliset oikeudet ja teillä saattaa olla myös muita oikeuksia Suomen lain mukaan.

Tavanomaiset takuehdot^{1, 2}

Vanguard®; Commercial-sarja

Kuluttajakäyttö – 36 kuukautta

Kaupallinen ja ammattikäyttö – 36 kuukautta

XR-sarja

Kuluttajakäyttö – 24 kuukautta

Kaupallinen ja ammattikäyttö – 24 kuukautta

Kaikki muut valurautaisella Dura-Bore™-valurautaputkella varustetut moottorit

Kuluttajakäyttö – 24 kuukautta

Kaupallinen ja ammattikäyttö – 12 kuukautta

Tavanomaiset takuehdot^{1, 2}

Kaikki muut moottorit

Kuluttajakäyttö – 24 kuukautta

Kaupallinen ja ammattikäyttö – 3 kuukautta

¹ Nämä ovat Briggs & Strattonin vakiotakuehdot; takuu saattaa toisinaan kattaa myös muita alueita, joita ei ole määrätty julkaisuohjeella. Oma moottoriasi koskevat tämänhetkiset takuehdot löytyvät osoitteesta BRIGGSandSTRATTON.com. Saat ne myös ottamalla yhteyttä lähimpään valtuutettuun Briggs & Stratton -huoltoliikkeeseen.

² Takuuta ei myönnetä hyötykäytössä voiman tuottamiseen käytettävien laitteiden moottoreille, kaupallisessa käytössä oleville varageneraattoreille, nopeampaa kuin 25 mph kulkeville ajoneuvoille tai kilpa-ajoissa tai kaupallisilla tai vuokratuotteilla käytettävillä moottoreille.

* Australia – Briggs & Stratton -tuotteilla on takuu, jota ei voi sivuuttaa Australian kuluttajansuojalain nojalla. Olet oikeutettu vaihtoon tai hyvitykseen merkittävästä viasta ja korvaukseen muusta kohtuudella ennakoitavasta tappiosta tai vahingosta. Olet myös oikeutettu tuotteiden korjaukseen tai vaihtoon, jos niiden laatu ei ole hyväksyttävä, vaikka vikaa ei katsottaisi merkittäväksi. Takuuhuoltoon liittyvissä asioissa tulee ottaa yhteyttä lähimpään valtuutettuun Briggs & Stratton -huoltoliikkeeseen, joka löytyy ”Etsi lähin jälleenmyyjä” -työkalulla osoitteesta BRIGGSandSTRATTON.COM. Voit myös soittaa numeroon 1300 274 447 tai lähettää sähköpostia tai postia osoitteeseen salesenquires@briggsandstratton.com.au, Briggs & Stratton Australia Pty Ltd, 1 Moorebank Avenue, Moorebank, NSW, Australia, 2170.

Takuuaika alkaa sillä päivämäärällä, jolloin ensimmäinen kuluttaja tai kaupallinen loppukäyttäjä ostaa laitteen. Takuu on voimassa yllä olevassa taulukossa mainitun takuuaian. ”Kuluttajakäytöllä” tarkoitetaan vähittäisasiakkaan henkilökohtaista kotitalouskäyttöä. ”Kaupallisella käytöllä” tarkoitetaan kaikkea muuta käyttöä, kuten käyttöä kaupalliseen toimintaan, tulonhankintaan tai vuokraukseen. Jos moottori on ollut kaupallisessa käytössä, sitä pidetään sen jälkeen kaupalliseen käyttöön tarkoitettuna moottorina tämän takuun osalta.

Briggs & Stratton -tuotteiden takuu ei edellytä takuun rekisteröintiä erikseen. Säilytä kuitti todisteena ostopäivästä. Mikäli laitteen alkuperäistä ostopäivää ei pystytä osoittamaan takuuhuollon pyytämisen hetkellä, tuotteen valmistuspäivä katsotaan takuuaian alkamispäiväksi.

Takuehdot

Tämä takuu kattaa vain moottoriin liittyvät vialliset materiaalit ja/tai työvirheet eikä mitään vaihto-osia eikä korvausta laitteesta, johon moottori on kiinnitetty. Tämä takuu ei kata säännöllisesti suoritettavia huolto- ja huoltotoimenpiteitä, virityksiä, säätöjä tai tavallista kulumista. Takuu ei myöskään ole voimassa siinä tapauksessa, että moottoria on muunneltu tai moottorin sarjanumero on sotkettu tai poistettu. Tämä takuu ei kata moottorin vahinkoja tai suorituskykyongelmia, jotka ovat aiheutuneet seuraavista syistä:

- Muiden Briggs & Stratton kuin alkuperäisten -osien käyttö;
- Moottorin käyttäminen riittämättömän öljymäärän, likaantuneen öljyn tai väärän öljyvaludun kanssa;
- likaantuneen tai vanhan polttoaineen käyttö, etanolilla käsitellyn bensiinin, jonka etanolipitoisuus on yli 10 % tai vaihtoehtoisten polttoaineiden, kuten nestekaasun tai maakaasun käyttö moottoreissa, joita Briggs & Stratton ei ole alun perin suunnitellut/valmistanut toimimaan sellaisilla polttoaineilla
- lika, joka on päässyt moottoriin, koska ilmansuodatin on huollettu tai koottu uudelleen väärin
- Pyörivän ruohonleikkurin leikkausterän iskeytyminen johonkin esineeseen, löysät tai väärin asennetut teränsäkiinnikkeet, tuuletin tai muut kampiakseliin kytketyt laitteet tai kiilahihnan liiallinen kireys;
- moottoriin liittyvät osat tai kokoonpanot, kuten kytkimet, voimansiirto, laitteiston ohjaimet jne., jotka eivät ole Briggs & Stratton toimittamia
- Ylikuumeneminen, joka johtuu leikkujätteistä, liasta ja roskista tai jyräsiöiden pesistä, jotka tukkivat jäähdytysriipojen tai juoksupyörän alueen, tai moottorin käyttämisestä ilman riittävää ilmanvaihtoa;
- Liiallinen tärinä, joka johtuu ylikieroksista, moottorin löysästä kiinnityksestä, löysistä tai epätasapainossa olevista tuulettimista tai laitteen osien vääränlaisesta kiinnityksestä kampiakseliin;
- Laitteiston väärinkäyttö, säännöllisen kunnossapidon laiminlyönti, kuljetus, käsittely tai varastointi tai moottorin väärä asennus.

Takuuhuoltoa on saatavilla ainoastaan valtuutetuista Briggs & Stratton -huoltoliikkeistä. Lähimmän valtuutetun huoltoliikkeen löydät jälleenmyyjäkartalta osoitteessa BRIGGSandSTRATTON.COM tai soittamalla numeroon 1-800-444-7774 (Yhdysvalloissa).

80114782 (Versio A)

Informations Généralités



Ce manuel contient des informations de sécurité concernant les dangers et risques liés au moteur, ainsi que la manière de les éviter. Il contient également toutes les consignes de fonctionnement et d'entretien de ce moteur. Il est important de lire, comprendre et suivre ces instructions. **Conserver ce manuel pour référence ultérieure.**

REMARQUE : Les figures et illustrations de ce manuel sont fournies seulement à titre d'information. Elles peuvent différer selon le modèle de votre appareil. Suivre les figures qui correspondent à la configuration de votre moteur. Contacter un réparateur agréé si nécessaire.

Pour obtenir des pièces de rechange, noter la date d'achat, ainsi que le modèle, le type, la coupe et le numéro de série du moteur. Ces numéros sont situés sur le moteur. Consulter la section **Fonctions et commandes**.

Date d'achat	
Modèle – Type – Coupe du moteur	
Numéro de série du moteur	

Coordonnées de contact du bureau européen

Pour toute question concernant les émissions européennes, veuillez contacter notre bureau européen, situé à l'adresse :

Max-Born-Straße 2, 68519 Viernheim, Allemagne.


Étape V (5) de l'Union Européenne (UE) : Taux de dioxyde de carbone (CO2)

Saisir « CO2 » dans la fenêtre de recherche du site BriggsandStratton.com pour trouver les taux de dioxyde de carbone des moteurs Briggs & Stratton avec les certificats d'approbation pour l'UE.

Sécurité de l'utilisateur

Symboles de sécurité et mots-indicateurs



Le symbole de sécurité  identifie les informations de sécurité relatives aux dangers pouvant entraîner des blessures. Les mots-indicateurs (**DANGER**, **AVERTISSEMENT** ou **ATTENTION**) sont utilisés pour indiquer la probabilité et la gravité potentielle des blessures. En outre, un symbole de danger est utilisé pour représenter le type de danger.









DANGER indique un danger qui, si non évité, **entraînera** la mort ou une blessure grave.



AVERTISSEMENT indique un danger qui, si non évité, **peut** entraîner la mort ou une blessure grave.

ATTENTION indique un danger qui, si non évité, **pourrait** causer des blessures mineures ou modérées.

AVIS indique les informations considérées comme importantes, mais non relatives aux dangers.

Symboles de risque et leurs significations

 Informations de sécurité relatives aux dangers pouvant provoquer des dommages corporels.	 Lire attentivement le contenu du manuel de l'utilisateur avant de faire fonctionner l'appareil ou d'intervenir dessus.
 Danger d'incendie	 Danger d'explosion
 Risque de décharge électrique	 Danger de fumées toxiques
 Danger de surface chaude	 Danger d'effet de recul

 Risque d'amputation - pièces mobiles	 Niveau de carburant - Maximum Ne pas trop remplir le réservoir
---	--



Messages de sécurité



AVERTISSEMENT

Les moteurs Briggs & Stratton® ne sont pas conçus pour les équipements suivants et ne doivent pas être utilisés pour les alimenter : karts de loisir ; karts de course ; véhicules de loisir pour les enfants et de sport tous-terrains (ATVs) ; motocycles ; aéroglisseurs ; engins aériens ; ou véhicules utilisés lors de compétitions non approuvées par Briggs & Stratton. Pour plus d'informations concernant les produits destinés à la compétition, consulter www.briggsracing.com. Pour une utilisation avec des véhicules tout terrain utilitaires et côte à côte, veuillez contacter le Centre d'application de puissance Briggs & Stratton, au 1-866-927-3349. Une utilisation incorrecte du moteur pourrait entraîner la mort ou de graves blessures.

Informations de recyclage

		Recyclez l'ensemble des cartons, boîtes, huiles usagées et piles conformément aux réglementations gouvernementales.
---	--	---

Fonctions et commandes






Commandes du moteur

Comparer les lettres de référence des Figures 1, 2 et 3 avec les commandes du moteur¹ dans la liste suivante :

- A. Numéros d'identification du moteur **Modèle - Type - Coupe**
- B. Réservoir de carburant et bouchon
- C. Filtre à air à fixation haute
- D. Filtre à air à fixation basse
- E. Poignée du cordon du démarreur
- F. Jauge d'huile supérieure
- G. Jauge d'huile inférieure (si installée)
- H. Orifice de remplissage d'huile
- I. Bouchon de vidange de l'huile
- J. Silencieux, protège-silencieux (si installé), pare-étincelles (si installé)
- K. Commande électronique d'accélérateur (si installée)
- L. Lumière de contrôle du moteur (si installée)
- M. Couvercle du carter de soufflante
- N. Contacteur à clé (si installé)

¹Certains moteurs et équipements disposent de commandes distantes. Se reporter au manuel de l'équipement pour connaître l'emplacement et l'utilisation des commandes à distance.

Symboles des commandes du moteur et significations

 Régime moteur - RAPIDE	 Régime moteur - LENT
 Moteur - ARRÊT	 Moteur - DÉMARRAGE
 Moteur - MARCHÉ	

Fonctionnement



AVERTISSEMENT

Les vapeurs de carburant sont inflammables et explosives. Les incendies ou les explosions peuvent entraîner de graves brûlures, voire la mort.

Si vous sentez une odeur de gaz

- Ne pas démarrer le moteur.
- Ne pas activer pas les interrupteurs électriques.
- Ne pas utiliser de téléphone à proximité.
- Évacuer la zone.
- Contacter les pompiers.

Lorsque vous utilisez l'équipement

- Ne pas basculer le moteur ou l'équipement à un angle qui risquerait de faire couler de l'essence.

Lorsque vous déplacez l'équipement

- S'assurer que le réservoir de carburant est VIDE ou que le robinet d'arrêt de carburant, si installé, est en position FERMÉ.

Vérifier le niveau d'huile

Avant de vérifier ou d'ajouter de l'huile

- Veiller à ce que le moteur soit sur une surface plane.
- Retirer les matières indésirables du pourtour du remplissage d'huile.
- Se reporter à la section **Spécifications** pour la capacité d'huile.

AVIS

Ce moteur est livré sans huile par Briggs & Stratton. Les fabricants d'équipements ou les concessionnaires pourraient avoir ajouté de l'huile au moteur. Vérifier le niveau d'huile avant de mettre le moteur en marche pour la première fois. Ajouter de l'huile en suivant les instructions de ce manuel. S'il est mis en marche sans huile, le moteur sera endommagé et ne sera pas couvert par la garantie.

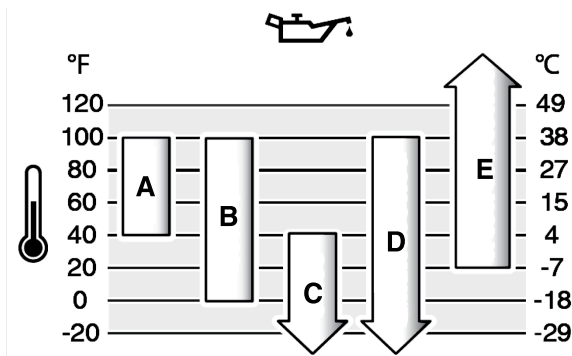
1. Retirer la jauge (A, B, C, Figure 4). Utiliser un chiffon propre pour essuyer l'huile sur la jauge (A, B, C).
2. Installer la jauge (A, B, C, Figure 4).
 - a. Jauge à fixation basse, si installée (B, Figure 4) : s'assurer que les marques de remplissage d'huile sur la jauge (B) pointent vers le haut du moteur.
 - b. Jauge d'huile courte ou bouchon de remplissage de la jauge, si installés (C, Figure 4) : faire tourner la jauge d'huile et la serrer (C).
3. Retirer à nouveau la jauge (A, B, C, Figure 4).
4. Vérifier le niveau d'huile. Vérifier que le niveau d'huile atteint le haut du repère plein (D, Figure 4).
5. Si le niveau d'huile est insuffisant, verser doucement de l'huile dans l'un des orifices de remplissage d'huile moteur (E, F, Figure 5). Ne pas ajouter trop d'huile.
6. Attendre une minute et vérifier à nouveau le niveau d'huile. S'assurer que le niveau d'huile est approprié.
7. Installer la jauge (A, B, C, Figure 4).

Recommandations concernant l'huile

Capacité d'huile : Se reporter à la section **Spécifications**.

Nous recommandons l'utilisation d'huiles garanties et certifiées Briggs & Stratton® pour obtenir les meilleures performances. D'autres huiles détergentes de haute qualité sont acceptables si elles sont de catégorie SF, SG, SH, SJ ou supérieure. Ne pas utiliser d'additifs spéciaux.

Utiliser le tableau pour sélectionner la meilleure viscosité pour la plage de températures extérieures prévues. Les moteurs de la plupart des équipements d'alimentation extérieurs fonctionnent bien avec de l'huile synthétique 5W-30. Pour les équipements utilisés par grande chaleur, l'huile synthétique Vanguard® 15W-50 offre la meilleure protection.



A	SAE 30 - À une température inférieure à 40 °F (4 °C), l'utilisation de SAE 30 entraînera un démarrage du moteur difficile.
B	10W-30 - Au-dessus de 80 °F (27 °C), l'utilisation d'huile 10W-30 peut augmenter la consommation d'huile. Vérifier le niveau d'huile fréquemment.
C	5W-30
D	5W-30 synthétique
E	Vanguard® Synthétique 15W-50

Système de protection contre le manque d'huile (s'il est installé)

Un capteur de niveau d'huile bas est installé sur certains moteurs. Si le niveau d'huile est insuffisant, le capteur active un voyant d'avertissement ou arrête le moteur. Arrêter le moteur et procéder comme décrit ci-dessous avant de remettre en marche le moteur.

- Veiller à ce que le moteur soit sur une surface plane.
- Faites une vérification d'huile. Se reporter à la section **Vérification du niveau d'huile**.
- Si le niveau d'huile est insuffisant, faire l'appoint avec la quantité d'huile nécessaire. Mettre le moteur en marche et s'assurer que le voyant d'avertissement (s'il est installé) ne s'allume pas.
- Si le niveau d'huile est correct, ne pas faire démarrer le moteur. Contacter un réparateur agréé Briggs & Stratton pour corriger le problème d'huile.

Recommandations concernant le carburant

Le carburant doit répondre à ces exigences :

- Essence sans plomb, propre et fraîche.
- Au minimum 87 octanes/87 AKI (91 RON). Utilisation en haute altitude, voir ci-dessous.
- L'essence contenant jusqu'à 10 % d'éthanol (alcool fabriqué à partir de grain) est autorisée.

AVIS

Ne pas utiliser d'essence non approuvée telle que l'E15 ou l'E85. Ne pas mélanger de l'huile au carburant et ne pas modifier le moteur afin qu'il puisse fonctionner avec d'autres carburants. L'utilisation de carburants non approuvés peut endommager les composants du moteur, ce qui n'est pas couvert par la garantie.

Pour empêcher la formation de gomme et de corrosion dans le circuit d'alimentation, ajouter un stabilisateur de carburant sans alcool et un traitement éthanol au carburant. Se reporter à la section **Entreposage**. Tous les carburants ne sont pas identiques. Si des problèmes de démarrage ou de performance se produisent, changer de fournisseur de carburant ou de marque. Ce moteur est certifié pour fonctionner à l'essence. Le système de contrôle des émissions pour les moteurs à carburateur est EM (Modifications du moteur). Les systèmes de contrôle des émissions pour les moteurs à injection électronique de carburant sont : ECM (module de contrôle moteur), MFI (injection multipoint de carburant), TBI (injection de carburant par corps de papillon) et, si équipée, une O2S (sonde d'oxygène).

Haute altitude

À des altitudes supérieures à 5 000 pieds (1524 mètres), de l'essence d'au minimum 85 octane/85 AKI (89 RON) est autorisée.

Pour les moteurs à carburateur, il est nécessaire d'effectuer un réglage pour hautes altitudes pour maintenir son rendement. Faire fonctionner le moteur sans ce réglage donnera lieu à des performances moindres, une consommation de carburant supérieure et une augmentation des émissions. Contacter un réparateur agréé Briggs & Stratton pour davantage d'informations sur les réglages pour haute altitude. Il n'est pas recommandé de faire fonctionner le moteur à des altitudes inférieures à 2 500 pieds (762 mètres) si le réglage haute altitude est activé.

Il n'est pas nécessaire de faire un ajustement pour haute altitude sur les moteurs à injection électronique de carburant (EFI).

Ajout de carburant



AVERTISSEMENT

Le carburant et ses vapeurs sont inflammables et explosifs. Les incendies ou les explosions peuvent entraîner de graves brûlures, voire la mort.

Lorsque de l'ajout de carburant

- Arrêter le moteur. Avant de retirer le bouchon du réservoir de carburant, attendre au moins deux (2) minutes pour s'assurer que le moteur est froid.
 - Remplir le réservoir de carburant à l'extérieur ou dans un endroit bien aéré.
 - Ne pas trop verser de carburant dans le réservoir. Pour permettre l'expansion du carburant, ne pas dépasser le bas du col de remplissage du réservoir en effectuant le plein.
 - Garder le carburant loin des étincelles, des flammes nues, des lampes témoins, de chaleur et d'autres sources d'inflammation.
 - Inspecter fréquemment les conduites de carburant, le réservoir de carburant, le bouchon de carburant et les connexions pour vérifier la présence de fissures ou de fuites. Remplacer les pièces endommagées.
 - Si du carburant se répand, attendre jusqu'à ce qu'il sèche avant de mettre le moteur en marche.
1. Nettoyer la zone autour du bouchon du réservoir en enlevant toute la poussière et les débris. Retirer le bouchon d'essence.
 2. Remplir le réservoir (A, Figure 6) avec du carburant. Pour permettre au carburant de se détendre, ne dépassez pas la base du col du réservoir de carburant en le remplissant (B).
 3. Replacer le bouchon de réservoir de carburant.

Mise en marche du moteur



AVERTISSEMENT

RISQUE LIÉ AUX GAZ TOXIQUES. Les gaz d'échappement du moteur contiennent du monoxyde de carbone, un gaz toxique qui peut vous tuer en quelques minutes. Même si vous ne sentez pas l'odeur des gaz d'échappement, vous courez toujours le risque de respirer du monoxyde de carbone, ce qui est dangereux pour la santé. Si vous commencez à vous sentir malade, pris(e) de vertiges ou faible lorsque vous utilisez ce produit, coupez le moteur et allez vous aérer IMMÉDIATEMENT. Consultez un médecin. Il se peut que vous soyez victime d'un empoisonnement au monoxyde de carbone.

- Le monoxyde de carbone peut s'accumuler dans les espaces occupés. Utilisez cet équipement UNIQUEMENT à l'extérieur et en vous tenant éloigné(e) des fenêtres, portes et ouvertures d'aération pour réduire le risque lié au monoxyde de carbone.
- Installez des alarmes à monoxyde de carbone fonctionnant à piles ou alimentées par câble avec batterie de secours, selon les indications du fabricant. Les détecteurs de fumée ne peuvent pas déceler la présence de monoxyde de carbone.
- NE PAS faire fonctionner cette machine à l'intérieur de maisons, de garages, de sous-sols, de vides sanitaires, de remises de jardin ou d'autres espaces confinés, même si des ventilateurs, des portes ou des fenêtres ouvertes facilitent l'aération. Après le fonctionnement de la machine, le monoxyde de carbone peut rapidement s'accumuler dans ces espaces et y rester pendant plusieurs heures.
- Disposer TOUJOURS cet équipement dans le sens du vent et orienter l'échappement du moteur dans la direction opposée aux espaces occupés.



AVERTISSEMENT

Le carburant et ses vapeurs sont inflammables et explosifs. Les incendies ou les explosions peuvent entraîner de graves brûlures, voire la mort.

Lorsque vous mettez le moteur en marche

- S'assurer que la bougie d'allumage, le silencieux, le bouchon du réservoir de carburant et le filtre à air (si équipé) sont correctement installés.
- Lorsque la bougie d'allumage est enlevée, ne mettez pas en marche le moteur.
- Si le moteur est noyé, mettre le starter (si équipé) en position OUVERT ou MARCHE. Déplacer l'accélérateur en position RAPIDE (si prévu) et faire tourner la manivelle jusqu'à ce que le moteur démarre.
- En cas de fuite de gaz naturel ou de GPL dans les environs, ne pas mettre le moteur en marche.
- Ne pas utiliser de fluides de démarrage sous pression, car les vapeurs sont inflammables.



AVERTISSEMENT

Les pièces rotatives peuvent saisir les mains, les pieds, les cheveux, les vêtements ou les accessoires, et entraîner une amputation ou une lacération traumatique.

- Utiliser l'équipement avec les protections fixées de manière adéquate.
- Tenez mains et pieds éloignés des pièces en rotation.
- Retirer les bijoux et garder les cheveux longs à l'écart de toutes les pièces rotatives.
- Ne portez pas de vêtements amples ou d'articles qui pourraient être saisis.



AVERTISSEMENT

L'enroulement rapide de la corde du démarreur (effet de recul) aura pour effet de tirer la main et le bras vers le moteur en moins de temps qu'il ne le faut pour réaliser, ce qui peut entraîner des fractures, des hématomes ou des foulures.

- Pour éviter cet effet de recul lors de la mise en marche du moteur, tirer lentement le cordon du démarreur jusqu'à sentir une résistance, puis tirer d'un coup sec.
- Retirer toute charge extérieure à l'équipement ou au moteur avant de le mettre en marche.
- Vérifier que les éléments à entraînement direct tels que, de manière non exhaustive, les lames de coupe, les pompes, les poulies et les pignons, sont solidement fixés.

REMARQUE : Votre équipement peut s'accompagner de commandes à distance. Se reporter au manuel de l'équipement pour connaître l'emplacement et l'utilisation des commandes à distance.

Démarrateur électrique

1. Vérifier le niveau d'huile. Se reporter à la section *Vérification du niveau d'huile*.
2. Débrayer les commandes d'entraînement de l'équipement, si installées.
3. Amener le robinet d'arrêt de carburant, si installé, en position OUVERT.
4. Tourner le contacteur à clé (A, Figure 7) en position DÉMARRAGE.

AVIS En relâchant le contacteur à clé (A, Figure 7), la clé se placera en position MARCHE. Le moteur continuera à tourner jusqu'à ce qu'il démarre. Pour interrompre la séquence de démarrage, tourner le contacteur à clé (A) en position ARRÊT. Si le moteur ne démarre pas, suivez les étapes ci-dessous.

5. S'assurer que le contacteur à clé (A, Figure 7) est en position ARRÊT. Patienter deux secondes.
6. Tourner le contacteur à clé (A, Figure 7) en position DÉMARRAGE.
7. Si le moteur ne démarre pas, interrompre la séquence de démarrage et contacter un réparateur agréé Briggs & Stratton.

Démarrage à rappel

AVIS La méthode recommandée pour démarrer votre moteur est le démarrage électrique.

1. Contrôler le niveau d'huile moteur. Se reporter à la section *Vérification du niveau d'huile*.
2. Débrayer les commandes d'entraînement de l'équipement, si installées.
3. Assurez-vous que le moteur est connecté à une batterie 12 volts chargée.
4. Amener le robinet d'arrêt de carburant, si installé, en position OUVERT.
5. Tourner le contacteur à clé (A, Figure 8) en position MARCHE. Tirer ensuite sur la poignée du cordon du démarreur (B).

Arrêt du moteur

1. Tourner le contacteur à clé (A, Figure 7) en position ARRÊT.
2. Retirer la clé. Le conserver dans un endroit sûr, hors de portée des enfants.
3. Après l'arrêt du moteur, amener le robinet d'arrêt de carburant, si installé, en position FERMÉ.

Lumière de contrôle du moteur

La lumière de contrôle du moteur (B, Figure 7) indique un problème de moteur. Si la lumière de contrôle du moteur s'allume pendant le fonctionnement du moteur, contactez un réparateur agréé Briggs & Stratton afin de résoudre le problème dès que possible ou lorsque votre travail est terminé. Si la lumière de contrôle du moteur est allumée et que le moteur s'est automatiquement arrêté, procédez comme suit :

1. Veiller à ce que le moteur soit sur une surface plane.
2. Faites une vérification d'huile. Se reporter à la section *Vérification du niveau d'huile*.
3. Démarrer le moteur. Se reporter à la section *Démarrage du moteur*.

4. Si la lumière de contrôle du moteur reste allumée et que le moteur continue de s'arrêter automatiquement, ne pas utiliser le moteur. Contactez immédiatement un réparateur agréé Briggs & Stratton pour corriger le problème.

Entretien

Informations relatives à l'entretien

AVERTISSEMENT



Le carburant et ses vapeurs sont inflammables et explosifs. Les incendies ou les explosions peuvent entraîner de graves brûlures, voire la mort.

S'il est nécessaire d'incliner l'unité lors de l'entretien et que le réservoir de carburant est monté sur le moteur, vérifier que ce dernier est vide et que le côté de la bougie est relevé. Si le réservoir de carburant n'est pas vide, une fuite éventuelle pourrait provoquer un incendie, voire une explosion. Si le moteur est incliné dans une direction différente, le démarrage risque d'être difficile à cause de la contamination du filtre à air ou de la bougie par l'huile ou le carburant.



AVERTISSEMENT

Une étincelle accidentelle du moteur peut provoquer une électrocution, un incendie, une explosion, un accrochage, une amputation traumatique ou une lacération.

Avant d'effectuer des réglages ou des réparations :

- Débrancher tous les fils de la bougie et les tenir à l'écart de la bougie.
- Débrancher le câble de la batterie de la borne de masse (uniquement pour les moteurs à démarrage électrique).
- Utiliser uniquement des outils appropriés.

Lorsque vous vérifiez la présence d'une étincelle :

- Utiliser un vérificateur de bougie d'allumage approuvé.
- Ne pas vérifier la présence d'étincelle si la bougie a été déposée.



AVERTISSEMENT

Les pièces de rechange doivent être les mêmes et installées dans la même position que celles d'origine. Les autres pièces pourraient entraîner des dommages ou des blessures.

AVIS

Tous les composants d'assemblage de ce moteur doivent rester en place pour un fonctionnement correct.

Consulter un réparateur agréé Briggs & Stratton pour l'entretien de votre moteur et de ses pièces.

Interventions concernant le contrôle des émissions

Pour l'entretien, le remplacement ou la réparation des dispositifs et des systèmes de contrôle des émissions d'échappement, contacter un établissement ou technicien spécialisé dans la réparation des moteurs autres que les moteurs automobiles. Néanmoins, pour obtenir un service de contrôle des émissions « gratuit », le travail doit être effectué par un revendeur autorisé. Se reporter à la déclaration sur le contrôle des émissions.

Calendrier d'entretien

Après les 5 premières heures
<ul style="list-style-type: none"> • Vidanger l'huile.
Intervalles de 8 heures ou quotidiennement
<ul style="list-style-type: none"> • Contrôler le niveau d'huile moteur. • Nettoyer autour du silencieux. • Nettoyer la grille d'admission d'air.
Intervalles de 100 heures ou une fois par an
<ul style="list-style-type: none"> • Entretien du système d'échappement.
Toutes les 200 heures ou une fois par an
<ul style="list-style-type: none"> • Changer l'huile moteur. • Nettoyer le filtre à air¹
Toutes les 600 heures ou tous les 2 ans
<ul style="list-style-type: none"> • Remplacer le filtre à air. • Remplacer le filtre à carburant¹

Tous les ans

- Remplacer la bougie.
- Entretien du circuit de carburant.
- Entretien du circuit de refroidissement¹.
- Vérifier le dégagement des soupapes².

¹ Nettoyer plus fréquemment si les conditions sont poussiéreuses ou si le nombre de particules dans l'air est élevé.

² Pas nécessaire si les performances du moteur ne sont pas altérées.

Système d'injection électronique de carburant (Electronic Fuel Injection, EFI)

Le système EFI surveille la température, la vitesse du moteur et la tension de la batterie pour le démarrage et la mise en température du moteur. Il n'y a aucun réglage sur le système. En cas de problème de démarrage ou de fonctionnement, contacter un réparateur technique agréé Briggs & Stratton.

AVIS Veiller à respecter les étapes ci-dessous sous peine d'endommager le système EFI.

- NE JAMAIS démarrer le moteur si les câbles de batterie sont desserrés.
- Mettre la clé en position ARRÊT avant de débrancher, retirer et/ou installer la batterie.
- NE PAS utiliser de chargeur de batterie pour démarrer le moteur.
- NE PAS débrancher les câbles de batterie pendant le fonctionnement du moteur.
- Pour brancher les câbles de batterie, connecter d'abord le câble positif (+) puis le câble négatif (-) à la batterie.
- Lorsque la batterie est en charge, mettre le contacteur en position ARRÊT et débrancher le câble négatif (-) de la batterie.
- NE PAS vaporiser d'eau directement sur le module de commande électronique.

Entretien de la bougie

Vérifier l'écartement des électrodes de la bougie (A, Figure 9) avec une jauge d'épaisseur (B). Régler l'écartement des électrodes de bougie au besoin. Remettre la bougie et la serrer au couple approprié. Pour les spécifications concernant l'écartement et le couple de serrage, se reporter à la section **Spécifications**.

Pour accéder à la bougie, assurez-vous que le moteur est réglé en position ARRÊT. Débrancher le fil de la bougie (D, Figure 10) et le tenir à l'écart de la bougie (E).

Sur certains modèles EFI-ETC, vous devez retirer la tôle anti-calorique pour accéder à la bougie. Suivez les étapes ci-dessous pour accéder à la bougie.

1. Débloquer la languette rouge (A, Figure 11) au niveau du connecteur (B).
2. Appuyer sur la languette noire (C, Figure 11) pendant que vous retirez le connecteur (B) de la bobine d'allumage (D).
3. Retirer la soupape pour les débris (E, Figure 11).
4. Retirer la vis supérieure (F, Figure 11) et la vis latérale (G) du support (H).
5. Retirer la tôle anti-calorique (H, Figure 11).
6. Retirer la bobine d'allumage (D, Figure 11).
7. Remplacer la bougie (I, Figure 12).
8. Installer la bobine d'allumage (D, Figure 11).
9. Installer le support (H, Figure 11).
10. Installer la vis supérieure (F, Figure 11) et la vis latérale (G) sur le support (H).
11. Installer la soupape pour les débris (E, Figure 11).
12. Installer le connecteur (B, Figure 11) dans la bobine d'allumage (D).
13. Bloquer la languette rouge (A, Figure 11).

Entretien des systèmes d'échappement et de refroidissement

AVERTISSEMENT



Pendant le fonctionnement, le moteur et le silencieux deviennent chauds. Si vous touchez un moteur chaud, vous risquez de vous brûler.

Les débris combustibles, tels que les feuilles, l'herbe et les broussailles peuvent prendre feu.

- Avant de toucher le moteur ou le silencieux, arrêter le moteur et attendre deux (2) minutes. Vérifier que le moteur et le silencieux peuvent être touchés en toute sécurité.
- Retirer les débris du silencieux et du moteur.

L'utilisation ou le fonctionnement du moteur sur des terrains forestiers, broussailleux ou herbeux constituent une violation de la Section 4442 du Code des ressources publiques de Californie (California Public Resource Code), à moins que le système d'échappement ne soit équipé d'un pare-étincelles, comme le stipule cette Section 4442, maintenu en bon état de marche. D'autres États ou juridictions fédérales peuvent avoir des lois similaires ; référence Federal Regulation 36 CFR Part 261.52. Contacter les fabricants d'équipements d'origine, le détaillant ou le revendeur de l'équipement pour obtenir un pare-étincelles conçu pour le système d'échappement installé sur ce moteur.

Ce moteur est refroidi par air. De la poussière ou des matières indésirables peuvent restreindre le débit d'air et entraîner une surchauffe du moteur, ce qui peut compromettre son rendement et abréger sa durée de vie. Des matières indésirables peuvent s'accumuler dans les ailettes de refroidissement du cylindre, celles-ci ne pouvant être retirées sans un démontage partiel du moteur. S'assurer qu'un réparateur agréé Briggs & Stratton examine et nettoie le système de refroidissement à air. Consulter le **Calendrier d'entretien**.

1. S'assurer qu'aucun matériau combustible ne se trouve autour ou derrière le silencieux.
2. Utiliser une brosse ou un chiffon sec pour enlever les matières indésirables du couvercle du carter de soufflante, du silencieux et de la zone du cylindre. NE PAS utiliser d'eau pour nettoyer le moteur.
3. S'assurer que les tringleries, les ressorts et les commandes sont propres.
4. Inspecter le silencieux pour rechercher d'éventuelles fissures, traces de corrosion ou d'autres dommages.
5. Retirer le déflecteur ou le pare-étincelles, si installés, et vérifier s'ils sont endommagés ou obstrués par des dépôts de carbone. S'assurer que les pièces de rechange sont nettoyées et bien installées avant de faire fonctionner l'équipement.
6. Si installées, vérifier que les ailettes du radiateur d'huile sont propres.

Vidange de l'huile moteur

AVERTISSEMENT



Le carburant et ses vapeurs sont inflammables et explosifs. Les incendies ou les explosions peuvent entraîner de graves brûlures, voire la mort.

Pendant le fonctionnement, le moteur et le silencieux deviennent chauds. Si vous touchez un moteur chaud, vous risquez de vous brûler.

- Si vous vidangez l'huile par le bouchon de remplissage supérieur, le réservoir de carburant doit être vide. S'il n'est pas vide, une fuite éventuelle pourrait provoquer un incendie, voire une explosion.
- Avant de toucher le moteur ou le silencieux, arrêter le moteur et attendre deux (2) minutes. Vérifier que le moteur et le silencieux peuvent être touchés en toute sécurité.

L'huile de vidange est un déchet dangereux qui doit être éliminé de manière appropriée. Ne pas la jeter avec les déchets ménagers. Contacter les autorités locales, les centres de services ou les revendeurs pour savoir où se trouvent des installations d'élimination des déchets ou de recyclage.

Vidange de l'huile

1. Quand le moteur est arrêté mais encore chaud, déconnecter le fil de la bougie (D, Figure 10) et le tenir à l'écart de la bougie (E). Pour les modèles de moteur disposant d'une tôle anti-calorique (Figure 11), déconnecter le fil de bougie comme suit :
 - a. Débloquer la languette rouge (A, Figure 11) au niveau du connecteur (B).
 - b. Appuyer sur la languette noire (C, Figure 11) pendant que vous retirez le connecteur (B) de la bobine (D).
2. Retirer la jauge (A, B, C, Figure 4).
3. Retirer l'un des bouchons de vidange d'huile (F, G, Figure 13). Récupérer l'huile dans un récipient adapté.
4. Remettre le bouchon de vidange d'huile en place et le serrer (F, G, Figure 13).

Ajout d'huile

- Veiller à ce que le moteur soit sur une surface plane.
 - Retirer toutes les matières indésirables du pourtour du remplissage d'huile.
 - Se reporter à la section **Spécifications** pour la capacité d'huile.
1. Retirer la jauge (A, B, C, Figure 4).
 2. Verser lentement l'huile par l'un des orifices de remplissage d'huile moteur (E, F, Figure 5). Ne pas ajouter trop d'huile.
 3. Installer la jauge (A, B, C, Figure 4).
 - a. Jauge d'huile rehaussée, si installée (B, Figure 4) : S'assurer que les marques de remplissage d'huile sur la jauge (B) pointent vers le haut du moteur.
 - b. Jauge d'huile courte ou bouchon de remplissage de la jauge, si installés (C, Figure 4) : Faire tourner la jauge d'huile et la serrer (C).
 4. Retirer à nouveau la jauge (A, B, C, Figure 4).

5. Vérifier le niveau d'huile. Vérifier que le bon niveau d'huile atteint le haut du repère plein (D, Figure 4).
6. Insérer à nouveau la jauge (A, B, C, Figure 4).
7. Connecter le fil de bougie (D, Figure 10) à la bougie (E). Pour les modèles de moteur disposant d'une tôle anti-calorique (Figure 11), connecter le fil de bougie comme suit :
 - a. Installer le connecteur (B, Figure 11).
 - b. Bloquer la languette rouge (A, Figure 11).

Entretien du filtre à air



AVERTISSEMENT

Les vapeurs de carburant sont inflammables et explosives. Les incendies ou les explosions peuvent entraîner de graves brûlures, voire la mort.

- Ne pas démarrer et faire fonctionner le moteur sans que le préfiltre à air (le cas échéant) ou le filtre à air (le cas échéant) soient en place.

AVIS

Ne pas utiliser d'air comprimé ou de solvants pour nettoyer le filtre. L'air comprimé pourrait endommager le filtre et les solvants peuvent le dissoudre.

Se reporter au **Calendrier d'entretien** pour connaître les prescriptions d'entretien.

Selon les modèles, le filtre pourra être en mousse ou en papier. Certains modèles sont également équipés d'un préfiltre en option, qui peut être lavé et réutilisé. Comparer les illustrations de ce manuel avec le type de filtre monté sur votre moteur et procéder comme suit pour l'entretien.

Filtre à air en papier

1. Desserrer la ou les attache(s) (C, Figure 14).
2. Enlever le couvercle (A, Figure 14) et le filtre (C).
3. Pour faire tomber les débris, tapoter doucement le filtre (B, Figure 14) sur une surface dure. Si le filtre est sale, le remplacer par un nouveau filtre.
4. Installer le filtre (B, Figure 14).
5. Installer le couvercle (A, Figure 14) avec la ou les attaches (C). S'assurer que la ou les attaches sont bien serrées.

Filtre à air en papier, Surbaissé

1. Déplacer le verrou (A, Figure 15) pour déverrouiller le couvercle (C).
2. Pousser les taquets (B, Figure 15) et retirer le couvercle (C).
3. Retirer le filtre (D, Figure 15).
4. Pour faire tomber les débris, tapoter doucement le filtre (D, Figure 15) sur une surface dure. Si le filtre est sale, le remplacer par un nouveau filtre.
5. Installer le filtre (D, Figure 15).
6. Remettre le couvercle (C, Figure 15). Déplacer le verrou (A) vers la position verrouillée.

REMARQUE : Vérifier l'ajustement du joint en mousse (E, Figure 15). S'assurer que le joint en mousse du périmètre est correctement retenu dans la rainure (F).

Entretien du circuit de carburant

AVERTISSEMENT



Le carburant et ses vapeurs sont inflammables et explosifs. Les incendies ou les explosions peuvent entraîner de graves brûlures, voire la mort.

- Garder le carburant loin des étincelles, des flammes nues, des lampes témoins, de chaleur et d'autres sources d'inflammation.
- Inspecter fréquemment les conduites de carburant, le réservoir de carburant, le bouchon de carburant et les connexions pour vérifier la présence de fissures ou de fuites. Remplacer les pièces endommagées.
- Si du carburant se répand, attendre jusqu'à ce qu'il sèche avant de mettre le moteur en marche.

Filtre à carburant, si installé

1. Avant de remplacer le filtre à carburant (A, Figure 16), vidanger le réservoir de carburant ou fermer le robinet de carburant. Si le réservoir de carburant n'est pas vidangé, une fuite de carburant peut se produire et provoquer un incendie ou une explosion.
2. Utiliser des pinces pour serrer les languettes (B, Figure 16) sur les colliers (C). Faire ensuite glisser les colliers loin du filtre à carburant (A).
3. Faire tourner et retirer les durits de carburant (D, Figure 16) du filtre à carburant.
4. Vérifier que les durits de carburant (D, Figure 16) ne présentent ni fissure ni fuite. Remplacer les durits de carburant si nécessaire.
5. Remplacer le filtre à carburant (A, Figure 16).

6. Fixer les durites de carburant (D, Figure 16) à l'aide de colliers de serrage (C).

Filter à carburant, si installé

- Retirer le bouchon du réservoir de carburant (A, Figure 17).
- Retirer le filtre à carburant (B, Figure 17).
- Si le filtre à carburant est sale, le nettoyer ou le remplacer. En cas de remplacement, veiller à utiliser un filtre à carburant de rechange d'origine.

Entreposage

Circuit d'alimentation

Voir la Figure : 18.



AVERTISSEMENT

Le carburant et ses vapeurs sont inflammables et explosifs. Les incendies ou les explosions peuvent entraîner de graves brûlures, voire la mort.

Entreposage du carburant

- Les entreposer loin des chaudières, cuisinières, chauffe-eaux ou tout autre appareil comportant une veilleuse ou une source susceptible de produire une étincelle, car ils pourraient provoquer une explosion.

Maintenir le moteur en position correcte de fonctionnement. Faire le plein du réservoir de carburant (A, Figure 18). Pour permettre l'expansion du carburant, ne pas dépasser le col de remplissage du réservoir de carburant en faisant le plein (B).

Le carburant peut s'évaporer lorsque conservé dans un réservoir de stockage pendant plus de 30 jours. L'utilisation d'un stabilisateur de carburant sans alcool et d'un traitement à l'éthanol dans le réservoir de stockage du carburant est recommandée. Ceci permet de maintenir le carburant frais, et réduit les problèmes associés au carburant ou la contamination du circuit d'alimentation.

Lors du remplissage du réservoir avec le carburant, ajouter un stabilisateur de carburant sans alcool comme indiqué dans les instructions. Si l'essence présente dans le moteur n'a pas été traitée avec un stabilisateur de carburant, elle doit être vidangée dans un récipient approuvé. Faire tourner le moteur jusqu'à ce qu'il n'y ait plus de carburant.

Huile de moteur

Pendant que le moteur est encore chaud, changer l'huile de moteur. Se référer à la section *Vérifier l'huile moteur*.

Dépannage

Assistance

Pour obtenir de l'aide, contacter votre revendeur local, consulter BRIGGSandSTRATTON.COM ou appeler le **1-800-444-7774** (aux États-Unis).

Spécifications et pièces de rechange

Modèle : 25E300	
Cylindrée	24.898 ci (408 cc)
Alésage	3.465 po (88 mm)
Course	2.638 po (67 mm)
Capacité d'huile	28-32 oz (.82 - .95 L)
Écartement des électrodes de bougie	.030 po (.76 mm)
Couple de serrage de bougie	170 lb-po (19,2 Nm)
Entrefer du capteur de vitesse	.010 - .015 po (.254 - .381 mm)
Dégagement de soupape d'admission	.004 - .006 po (.10 - .15 mm)
Dégagement de soupape d'échappement	.006 - .008 po (.15 - .20 mm)

La puissance du moteur diminuera de 3,5 % à chaque palier d'altitude de 1 000 pieds (300 mètres) et de 1 % tous les 10 °F (5,6 °C) à partir de 77 °F (25 °C). Le moteur fonctionne de façon satisfaisante à un angle allant jusqu'à 30°. Consulter le manuel de l'utilisateur de l'équipement pour une utilisation sûre en pente.

Pièces d'entretien

Pour acheter des pièces d'entretien Briggs & Stratton, trouvez un réparateur agréé près de chez vous sur BRIGGSandSTRATTON.COM. Vous aurez besoin de votre numéro d'identification (modèle - type - coupe). Reportez-vous à la section **Fonctions et commandes** pour trouver le numéro d'identification de votre moteur.

Puissances nominales

La puissance brute de chaque modèle de moteur à essence est indiquée conformément à la norme SAE (Society of Automotive Engineers) Code J1940, Procédure pour le couple et la puissance nominale des petits moteurs, et est classée conformément à la norme SAE J1995. Les valeurs de couple sont obtenues à 2 600 tr/min pour les moteurs pour lesquels les « tours par minute » sont indiqués sur l'étiquette et à 3 060 tr/min pour tous les autres. La puissance en HP est obtenue à 3 600 tr/min. Les courbes de puissance brute peuvent être consultées sur le site www.BRIGGSandSTRATTON.COM. Les valeurs données pour la puissance nette sont établies avec l'échappement et le filtre à air installés tandis que les valeurs données pour la puissance brute sont établies sans ces accessoires. La puissance brute réelle du moteur sera plus élevée que la puissance nette du moteur et elle est affectée, entre autres, par les conditions atmosphériques de fonctionnement et les variations d'un moteur à l'autre. Étant donné la gamme étendue de produits sur lesquels les moteurs sont montés, il se peut que le moteur à essence ne développe pas la puissance nominale brute quand il est utilisé sur un type donné d'équipement entraîné. Cette différence est due à divers facteurs, y compris, mais sans toutefois s'y limiter, la diversité des composants du moteur (filtre à air, échappement, chargement, refroidissement, carburateur, pompe à carburant, etc.), la limite des applications, les conditions atmosphériques de fonctionnement (température, humidité, altitude) et les variations entre les moteurs. En raison des limites de fabrication et de capacité, Briggs & Stratton peut substituer un moteur de puissance nominale supérieure par ce moteur.

Garantie

Garantie moteur Briggs & Stratton®

Entrée en vigueur : août 2022

Garantie limitée

Briggs & Stratton garantit la réparation ou le remplacement gratuit, pendant la période de garantie spécifiée ci-dessous, de toute pièce présentant des défauts matériels ou de fabrication avec une pièce neuve, reconditionnée ou refabriquée, à la seule discrétion de Briggs & Stratton. Les frais de transport du produit à réparer ou remplacer seront, dans le cadre de cette garantie, à la charge de l'acheteur. Cette garantie court sur les périodes énoncées ci-dessous et est assujettie aux conditions énoncées ci-dessous. Pour les réparations couvertes par la garantie, trouvez le réparateur agréé le plus proche de chez vous à l'aide de notre carte Trouver un revendeur en disponible sur BRIGGSandSTRATTON.COM. L'acheteur doit contacter le réparateur agréé, puis lui confier le produit à des fins d'inspection et de test.

Il n'existe aucune autre garantie expresse. Les garanties implicites, y compris celles associées à la commercialisation et d'adéquation à un usage particulier, sont limitées à une période d'une année à compter de la date de l'achat, ou dans la mesure prévue par la loi. Toutes les autres garanties implicites sont exclues. **Les responsabilités relatives aux dommages consécutifs ou indirects sont exclues dès lors que cette exclusion est autorisée par la loi.** Certains États ou pays ne permettent pas les limitations de durée de la garantie implicite. Certains États ou pays n'autorisent pas l'exclusion ou la limitation des dommages consécutifs ou indirects. Dans ce cas, l'exclusion et la limitation ci-dessus ne s'appliquent pas à votre cas. La présente garantie vous offre des droits juridiques spécifiques et il se peut que vous ayez d'autres droits qui varient d'une juridiction à une autre, et de pays à pays.

Période de garantie standard ^{1, 2}
Vanguard® ; série commerciale
Utilisation par le consommateur : 36 mois
Utilisation commerciale : 36 mois
Série XR
Utilisation par le consommateur : 24 mois
Utilisation commerciale : 24 mois
Tous les autres moteurs à chemise en fonte à alésage Dura-Bore™
Utilisation par le consommateur : 24 mois
Utilisation commerciale : 12 mois
Tous les autres moteurs
Utilisation par le consommateur : 24 mois
Utilisation commerciale : 3 mois

¹ Il s'agit de nos conditions standard de garantie mais il peut exister, ponctuellement, une garantie supplémentaire qui n'avait pas été définie à la date de la publication. Pour connaître les modalités actuelles de garantie s'appliquant à votre moteur, visitez le site www.BRIGGSandSTRATTON.COM ou contactez votre réparateur agréé Briggs & Stratton agréé.

² Il n'existe aucune garantie applicable aux moteurs d'équipements utilisés pour une alimentation principale en remplacement du réseau public d'électricité, des groupes électrogènes de secours utilisés à des fins commerciales, des véhicules utilitaires roulant à plus de 25 mi/h ou des moteurs utilisés en compétition, ou dans un but d'exploitation commerciale ou de location.

* En Australie – Nos produits sont accompagnés de garanties qui ne peuvent être exclues en vertu de la loi australienne de protection du consommateur (Australian

Consumer Law). Vous pouvez obtenir un remplacement ou un remboursement en cas de défaillance majeure ou en compensation de toute perte ou de tout dommage survenus dans le cadre des conditions raisonnablement prévisibles d'utilisation du produit. Vous pouvez également bénéficier de la réparation ou du remplacement des produits si la qualité de ces derniers n'est pas acceptable et si le défaut n'entraîne pas de défaillance majeure. Pour les réparations couvertes par la garantie, trouvez le réparateur agréé le plus proche de chez vous au moyen de la carte Trouver un revendeur sur le site BRIGGSandSTRATTON.COM, ou en composant le 1300 274 447, ou en envoyant un courriel à salesenquires@briggsandstratton.com.au, ou en écrivant à Briggs & Stratton Australia Pty Ltd, 1 Moorebank Avenue, Moorebank, NSW, Australie, 2170.

La période de garantie débute à la date d'achat par l'acheteur particulier initial ou l'utilisateur professionnel final et se prolonge pendant la période indiquée dans le tableau ci-dessus. « Utilisation par le consommateur » signifie que le produit sera utilisé par un consommateur au détail dans un but privé. « Utilisation commerciale » indique toutes les autres utilisations possibles, y compris commerciales, génératrices de revenus ou locatives. Dès qu'un moteur a servi à un usage commercial, il sera considéré comme moteur à usage commercial dans le cadre de la présente garantie.

Aucun enregistrement de la garantie n'est nécessaire pour obtenir la garantie des produits de marque Briggs & Stratton. Conservez le reçu de votre achat. Si vous ne fournissez pas la preuve de la date d'achat initiale au moment de la demande du service de garantie, la date de fabrication du produit sera retenue pour déterminer la période de garantie.

Au sujet de votre garantie

Cette garantie limitée couvre le matériel relatif au moteur et/ou les problèmes de fabrication uniquement, et non le remplacement ou le remboursement de la machine sur lequel le moteur était installé. Les mises au point de routine, les réglages, les ajustements et l'usure normale ne sont pas couvertes par cette garantie. De même, la garantie ne s'applique pas si le moteur a été altéré ou modifié, ou si le numéro de série du moteur a été dégradé ou effacé. Cette garantie ne couvre pas les dommages du moteur ou les problèmes de performance dus à :

1. l'usage de pièces qui ne sont pas Briggs & Stratton
2. l'utilisation du moteur avec de l'huile en quantité insuffisante, contaminée ou d'un grade de lubrification inadéquat ;
3. L'utilisation de carburant contaminé ou éventé, d'essence formulée avec de l'éthanol à plus de 10 %, ou de carburants alternatifs comme le gaz de pétrole liquéfié ou le gaz naturel, avec des moteurs non conçus / fabriqués à l'origine par Briggs & Stratton pour fonctionner avec de tels carburants ;
4. Les impuretés qui pénètrent dans le moteur du fait d'un entretien ou d'un remontage inadéquat du filtre à air ;
5. un choc de la lame d'une tondeuse rotative sur un corps dur, des adaptateurs de lames, des turbines ou d'autres dispositifs raccordés au vilebrequin mal installés ou desserrés, ou une courroie trapézoïdale trop tendue ;
6. Les pièces associées ou montages tels que les embrayages, les transmissions, les commandes de l'équipement, etc. qui ne sont pas fournis par Briggs & Stratton;
7. une surchauffe due à des résidus d'herbe, de la saleté et des débris ou des nids de rongeurs qui bouchent ou obstruent les ailettes de refroidissement ou la zone du volant, ou due à un fonctionnement du moteur sans ventilation suffisante ;
8. une vibration excessive provoquée par un surrégime, un serrage insuffisant des boulons de fixation du moteur, des lames ou des turbines desserrées ou mal équilibrées, un mauvais raccordement des composants de l'équipement au vilebrequin ;
9. un abus, un manque d'entretien courant, l'expédition, la manutention ou l'entreposage de l'équipement ou une mauvaise installation du moteur.

Le service de garantie est disponible uniquement auprès des réparateurs agréés Briggs & Stratton. Trouvez votre réparateur agréé le plus proche en utilisant la carte Trouver un revendeur sur le site BRIGGSandSTRATTON.COM ou en appelant le 1-800-444-7774 (aux USA).

80114782 (révision A)

Informazioni generali



Questo manuale contiene informazioni sulla sicurezza, sui pericoli e i rischi legati al motore e su come prevenirli. Contiene anche informazioni sul funzionamento e sulla manutenzione corretta del motore. È importante che queste istruzioni siano lette, comprese e rispettate. **Conservare questo manuale per futuro riferimento.**

NOTA: Le istruzioni e le figure del presente manuale hanno solo scopo informativo e potrebbero essere diverse dal modello di cui si dispone. Utilizzare le figure che si riferiscono alla configurazione del proprio motore. Se necessario, rivolgersi a un'Officina autorizzata.

Per i pezzi di ricambio, annotare data di acquisto, modello di motore, tipo, rivestimento e numero di serie del motore. Tali numeri sono sul motore. Fare riferimento alla sezione **Funzioni e comandi**.

Data dell'acquisto	
Modello del motore - Tipo - Trim	
Numero di serie del motore	

Informazioni di contatto dell'ufficio europeo

Per domande riguardanti le emissioni in Europa, contattare l'ufficio europeo all'indirizzo:

Max-Born-Straße 2, 68519 Viernheim, Germania.

Unione Europea (UE) Fase V (5): Valori di anidride carbonica (CO₂)

Per scoprire i valori di anidride carbonica relativi ai motori Briggs & Stratton con Certificato di approvazione UE, immettere CO₂ nella finestra di ricerca di BriggsandStratton.com.

Sicurezza dell'operatore

Simboli degli allarmi per la sicurezza e messaggi di segnalazione



Il simbolo di allarme sicurezza identifica informazioni di sicurezza che riguardano rischi che possono provocare lesioni alla persona. Viene utilizzato un termine di segnalazione (**PERICOLO**, **AVVERTENZA** o **ATTENZIONE**), per indicare l'eventualità e la potenziale gravità del danno. Inoltre, è applicato un simbolo di pericolo indicante il tipo di pericolo esistente.

PERICOLO indica un pericolo che, se non evitato, **provocherà** morte o lesioni gravi.

AVVERTENZA indica un rischio che, se non evitato, **potrebbe** provocare morte o lesioni gravi.

ATTENZIONE indica un rischio che, se non evitato, **potrebbe** provocare lesioni minori o moderate.

AVVISO indica informazioni considerate importanti, ma non relative a pericoli.

Simboli indicanti rischio e relativi significati

Informazioni di sicurezza relative ai rischi che possono causare lesioni personali.	Prima di usare o riparare l'unità, leggere e comprendere il manuale per l'operatore.
Pericolo d'incendio	Pericolo di esplosione
Pericolo di scosse elettriche	Pericolo di fumi tossici
Pericolo superfici estremamente calde	Pericolo di contraccolpo

Pericolo di amputazione - Parti in movimento



Livello di carburante - Massimo Non riempire troppo

Messaggi sulla sicurezza



AVVERTENZA

I motori Briggs & Stratton® non sono progettati per essere usati su: fun-kart; go-kart; veicoli per bambini, ricreativi o fuori strada; motociclette, prodotti a camera ad aria, velivoli o veicoli impiegati in eventi competitivi non approvati da Briggs & Stratton. Per informazioni su prodotti da competizione, visitare il sito www.briggsracing.com. Per l'impiego su quad e motoslitte, contattare Briggs & Stratton Power Application Center, 1-866-927-3349. L'uso non corretto del motore può provocare lesioni personali gravi o la morte.

Informazioni per il riciclaggio



Riciclare tutti i cartoni, le scatole, l'olio esausto e le batterie come specificato dalle normative governative.

Funzioni e comandi

Comandi del motore

Confrontare le lettere dei riquadri nelle Figure 1 2 e 3 con i comandi del motore¹ nell'elenco che segue:

- A. Numeri di identificazione del motore **Modello - Tipo - Telaio**
- B. Tappo e serbatoio del carburante
- C. Filtro dell'aria, montaggio alto
- D. Filtro dell'aria, montaggio basso
- E. Maniglia del cavo del motorino di avviamento
- F. Asta di livello dell'olio, superiore
- G. Asta di livello dell'olio, inferiore (se installata)
- H. Riempimento olio
- I. Tappo di scarico dell'olio
- J. Marmitta, protezione della marmitta (se installata), parascintille (se installato)
- K. Comando della valvola a farfalla elettronico (se installato)
- L. Spia di controllo motore (se installata)
- M. Coperchio alloggiamento convogliatore aria
- N. Interruttore a chiave (se installato)

¹Alcuni motori e attrezzature sono dotati di comandi a distanza. Consultare il manuale dell'apparecchiatura specifica per la posizione e il funzionamento dei comandi a distanza.

Simboli dei comandi del motore e relativi significati

Velocità motore - VELOCE	Velocità motore - LENTO
Motore - ARRESTO	Motore - AVVIO
Motore - ATTIVO	

Funzionamento



AVVERTENZA

I vapori del carburante sono infiammabili ed esplosivi. Gli incendi e le esplosioni possono provocare bruciature gravi o morte.

Qualora vi sia odore di gas

- Non avviare il motore.
- Non azionare gli interruttori elettrici.
- Non usare un telefono nei pressi del motore.
- Evacuare l'area.
- Rivolgersi ai vigili del fuoco.

Quando si utilizza l'apparecchiatura

- Non inclinare il motore o l'apparecchiatura al punto da provocare la fuoriuscita del carburante.

Quando si sposta l'apparecchiatura

- Assicurarsi che il serbatoio carburante sia VUOTO o che la valvola di chiusura del carburante, se installata, sia in posizione CHIUSO.

Controllare il livello dell'olio motore

Prima di controllare o rabboccare olio

- Assicurarsi che il motore sia a livello.
- Rimuovere il materiale indesiderato dall'area dell'olio.
- Vedere la sezione **Specifiche** per la capacità coppa olio.

NOTA

Il motore viene fornito dalla Briggs & Stratton senza olio. I produttori o i rivenditori dell'apparecchiatura potrebbero aver aggiunto dell'olio al motore. Prima di avviare il motore per la prima volta, assicurarsi che l'olio sia al livello corretto. Rabboccare l'olio come specificato nelle istruzioni di questo manuale. In caso di avviamento senza olio, il motore può subire gravi danni, non coperti dalla garanzia.

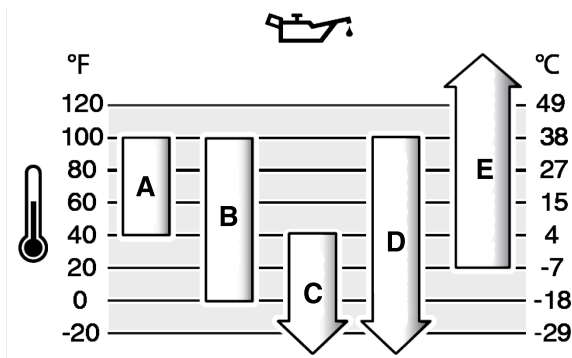
1. Togliere l'asta di livello (A, B, C, Figura 4). Utilizzare un panno per rimuovere l'olio dall'asta di livello (A, B, C).
2. Installare l'asta di livello (A, B, C, Figura 4).
 - a. Asta di livello a montaggio basso, se installata, (B, Figura 4): Accertarsi che i segni di riempimento dell'olio sull'asta di livello (B) siano rivolti verso la parte superiore del motore.
 - b. Asta di livello corta o tappo di rabbocco dell'asta di livello, se installati (C, Figura 4): Girare e stringere l'asta di livello (C).
3. Togliere nuovamente l'asta di livello (A, B, C, Figura 4).
4. Controllare il livello dell'olio. Accertarsi che il livello dell'olio raggiunga la parte superiore dell'indicatore di pieno sull'asta di livello (D, Figura 4).
5. Se il livello dell'olio è basso, versare lentamente dell'olio in una delle imboccature per il riempimento d'olio del motore (E, F, Figura 5). Non aggiungere olio in eccesso.
6. Attendere un minuto. Controllare nuovamente il livello dell'olio. Accertarsi che il livello dell'olio sia corretto.
7. Installare l'asta di livello (A, B, C, Figura 4).

Suggerimenti per l'olio

Capacità coppa olio: Vedere la sezione **Specifiche**.

Per le migliori prestazioni, si consiglia l'uso di oli con certificato di garanzia Briggs & Stratton®. Altri oli detergenti di alta qualità sono ammessi se classificati per servizio SF, SG, SH, SJ o superiore. Non utilizzare additivi speciali.

Utilizzare lo schema per selezionare la migliore viscosità in base all'intervallo di temperature esterne previste. I motori della maggior parte delle macchine per il lavoro da esterni funzionano bene con olio sintetico 5W-30. Per apparecchiature utilizzate a temperature elevate, l'olio sintetico Vanguard® 15W-50 fornisce la migliore protezione.



A	SAE 30 - Al di sotto di 40 °F (4 °C) l'uso di SAE 30 avrà come conseguenza un avvio difficile.
B	10W-30 - Al di sopra di 80 °F (27 °C) l'uso di 10W-30 può causare maggiore consumo di olio. Controllare frequentemente il livello dell'olio.
C	5W-30
D	Sintetico 5W-30
E	Vanguard® sintetico 15W-50

Sistema di protezione olio basso (se installato)

Su alcuni motori è installato un sensore di basso livello dell'olio. Se il livello dell'olio è basso, il sensore visualizzerà una spia di avvertenza oppure arresterà il motore. Arrestare il motore ed eseguire la seguente procedura prima di riavviarlo.

- Accertarsi che il motore sia a livello.
- Effettuare un controllo dell'olio. Fare riferimento alla sezione **Controllo del livello dell'olio**.
- Se il livello dell'olio è basso, rabboccare con la quantità d'olio appropriata. Avviare il motore e accertarsi che la spia di avvertenza (se installata) non si accenda.
- Se il livello dell'olio non è basso, non avviare il motore. Contattare un'Officina autorizzata Briggs & Stratton per risolvere il problema dell'olio.

Raccomandazioni relative al carburante

È necessario che la benzina sia conforme a questi requisiti:

- Benzina pulita, nuova, senza piombo.
- Minimo 87 ottani/87 AKI (91 RON). Per uso ad altitudini elevate vedere in seguito.
- Benzina con un massimo del 10% di etanolo (gasolio) è accettabile.

NOTA

Non usare benzine non appropriate, come E15 e E85. Non mescolare olio alla benzina né modificare il motore perché possa funzionare con carburanti alternativi. L'uso di carburanti non approvati potrebbe comportare danni ai componenti del motore, i quali non saranno coperti dalla garanzia.

Per proteggere l'impianto del carburante da formazioni gommose e corrosione, miscelare al carburante uno stabilizzatore di carburante senza alcol e un trattamento all'etanolo. Fare riferimento alla sezione **Rimessaggio**. Non tutti i carburanti sono uguali. Se si verificano problemi di avviamento o le prestazioni non sono soddisfacenti, cambiare il fornitore o la marca del carburante. Questo motore è certificato per funzionare a benzina. Il sistema di controllo delle emissioni per i motori con carburatore è EM (modifiche al motore). I sistemi di controllo delle emissioni per i motori a iniezione elettronica del carburante sono ECM (Modulo di controllo motore), MFI (Iniezione multiporta), TBI (Iniezione corpo farfallato) e, se in dotazione, un O2S (Sensore dell'ossigeno).

Altitudine elevata

Ad altitudini superiori a 5.000 piedi (1524 metri), è accettabile benzina con numero minimo di ottani 85/85 AKI (89 RON).

Per motori con carburatore è necessaria una regolazione per l'altitudine affinché vengano mantenute le normali prestazioni. Il funzionamento senza regolazione causa prestazioni inferiori, maggiore consumo di carburante e maggiori emissioni. Per informazioni sulla regolazione per altitudini elevate, rivolgersi a un centro assistenza autorizzato Briggs & Stratton. Si sconsiglia il funzionamento del motore ad altitudini inferiori a 2.500 piedi (762 metri) con il kit per altitudini elevate.

Per i motori con Iniezione elettronica del carburante (EFI), non è necessaria la regolazione per altitudini elevate.

Rifornimento di carburante



AVVERTENZA

Il carburante e i suoi vapori sono infiammabili ed esplosivi. Gli incendi e le esplosioni possono provocare bruciature gravi o morte.

Quando si esegue il rifornimento di carburante

- Arrestare il motore. Prima di rimuovere il tappo del carburante, attendere almeno due (2) minuti per assicurarsi che il motore si sia raffreddato.
 - Riempire il serbatoio carburante all'aperto o in un'area con una buona circolazione dell'aria.
 - Non riempire eccessivamente il serbatoio del carburante. Per consentire l'espansione del carburante, non riempire al di sopra del fondo del collo del serbatoio benzina.
 - Tenere il carburante lontano da scintille, fiamme libere, fiamme pilota, calore e altre fonti di accensione.
 - Esaminare frequentemente le linee del carburante, il serbatoio carburante, il tappo del carburante e i collegamenti per individuare crepe o perdite. Sostituire le parti danneggiate.
 - Se il carburante si versa, attendere che si asciughi prima di avviare il motore.
1. Liberare la zona intorno al tappo del carburante da sporco e detriti. Togliere il tappo del carburante.
 2. Riempire il serbatoio carburante (A, Figura 6) con carburante. Poiché il carburante si espande, non riempire oltre il fondo del collo del serbatoio carburante (B).
 3. Rimettere il tappo del carburante.

Avviamento del motore



AVVERTENZA

PERICOLO GAS VELENOSO. Lo scarico del motore contiene monossido di carbonio, un gas velenoso che può uccidere in pochi minuti. Anche se non si respirano i fumi di scarico, è possibile comunque essere esposti ai pericolosi vapori di monossido di carbonio. In caso di male, sensazione di malessere o debolezza durante l'utilizzo del prodotto, dirigersi IMMEDIATAMENTE verso l'aria fresca. Rivolgersi ad un medico. Potrebbe essersi verificato un avvelenamento da monossido di carbonio.

- Il monossido di carbonio può accumularsi negli spazi occupati. Per ridurre il rischio di esposizione al monossido di carbonio, utilizzare questo prodotto SOLO all'esterno e lontano da vani finestra, porte e sfati.
- Installare gli allarmi monossido di carbonio a batteria o inserire allarmi monossido di carbonio con batteria di riserva seguendo le istruzioni del fabbricante. Gli allarmi per il fumo non possono rilevare il monossido di carbonio.
- NON utilizzare questo prodotto dentro casa, all'interno di garage, piani interrati, intercapedini, capanni o altri spazi parzialmente chiusi, anche se si utilizzassero ventole o si lasciassero aperte porte e finestre per garantire la ventilazione. Dopo l'utilizzo di questo prodotto, il monossido di carbonio può accumularsi rapidamente in questi spazi e rimanere per ore.
- Usare SEMPRE questo prodotto sottovento e puntare lo scarico del motore lontano da spazi occupati.



AVVERTENZA

Il carburante e i suoi vapori sono infiammabili ed esplosivi. Gli incendi e le esplosioni possono provocare bruciature gravi o morte.

Quando si avvia il motore

- Assicurarsi che la candela, la marmitta, il tappo del carburante e filtro dell'aria (se in dotazione) siano installati correttamente.
- Non far partire il motore con la candela rimossa.
- Se il motore è allagato, impostare la valvola dell'aria (se in dotazione) in posizione APERTO o MARCIA. Spostare il comando della valvola a farfalla (se in dotazione) sulla posizione VELOCE e far girare finché il motore si avvia.
- In caso di perdita di metano o gas LP nell'area, non avviare il motore.
- Poiché i vapori sono infiammabili, non usare fluidi di avvio pressurizzati.



AVVERTENZA

Le parti rotanti possono intrappolare mani, piedi, capelli, indumenti o accessori e causare amputazione o gravi lacerazioni.

- Azionare l'apparecchiatura con le protezioni installate correttamente.
- Tenere lontani mani e piedi dalle parti rotanti.
- Rimuovere eventuali gioielli e assicurarsi che i capelli lunghi siano lontani dalle parti in movimento.
- Non indossare abiti o oggetti larghi che possono rimanere impigliati.



AVVERTENZA

La rapida ritrazione del cavo del motorino di avviamento (contraccolpo) può proiettare con forza mani e braccia in direzione del motore. Pericolo di lussazioni, fratture, contusioni o distorsioni.

- Per evitare il contraccolpo quando si avvia il motore, tirare lentamente il cavo del motorino di avviamento finché non si sente una certa resistenza, quindi tirarlo rapidamente.
- Prima di avviare il motore, scollegare o rimuovere tutte le apparecchiature esterne e i carichi dal motore.
- Assicurarsi che i componenti ad accoppiamento diretto come lame, giranti, pulegge e pignoni, siano fissati saldamente.

NOTA: L'apparecchiatura di cui si dispone potrebbe essere dotata di comandi a distanza. Consultare il manuale dell'apparecchiatura specifica per la posizione e il funzionamento dei comandi a distanza.

Avviamento elettrico

1. Controllare il livello dell'olio. Fare riferimento alla sezione **Controllo del livello dell'olio**.
2. Disinnestare i comandi di azionamento delle attrezzature, se installati.
3. Spostare la valvola di chiusura del carburante, se installata, in posizione APERTO.
4. Portare l'interruttore a chiave (A, Figura 7) sulla posizione AVVIO.

NOTA Quando si rilascia l'interruttore a chiave (A, Figura 7), la chiave si sposterà sulla posizione ATTIVO. Il motore continuerà a girare a manovella finché non si avvia. Per interrompere la sequenza di avviamento girare l'interruttore a chiave (A) in posizione DISATTIVO. Se il motore non si avvia, eseguire i seguenti passaggi.

5. Assicurarsi che l'interruttore a chiave (A, Figura 7) sia posizionato su DISATTIVO. Attendere due secondi.
6. Portare l'interruttore a chiave (A, Figura 7) sulla posizione AVVIO.
7. Se il motore non si avvia, interrompere la sequenza di avviamento e rivolgersi a un'officina autorizzata Briggs & Stratton.

Avviamento a riavvolgimento

NOTA Il metodo consigliato per l'avvio del motore è l'avviamento elettrico.

1. Controllare il livello dell'olio motore. Fare riferimento alla sezione **Controllo del livello dell'olio**.
2. Disinnestare i comandi di azionamento delle attrezzature, se installati.
3. Assicurarsi che il motore sia collegato a una batteria carica da 12 volt.
4. Spostare la valvola di chiusura del carburante, se installata, in posizione APERTO.
5. Portare l'interruttore a chiave (A, Figura 8) in posizione ATTIVO. Poi, tirare la stegola del motorino di avviamento (B).

Arrestare il motore

1. Portare l'interruttore a chiave (A, Figura 7) in posizione DISATTIVO.
2. Togliere la chiave. Conservare in luogo sicuro fuori dalla portata dei bambini.
3. Appena il motore si ferma, spostare la valvola di chiusura del carburante, se installata, in posizione CHIUSO.

Spia di controllo motore

La spia di controllo motore (B, Figura 7) segnala un problema con il motore. Se la spia di controllo motore è ATTIVA mentre il motore è in funzione, rivolgersi a un'Officina autorizzata Briggs & Stratton per risolvere il problema il prima possibile o al termine del lavoro. Se la spia di controllo motore è ATTIVA e il motore si arresta automaticamente, procedere come segue:

1. Accertarsi che il motore sia a livello.
2. Effettuare un controllo dell'olio. Fare riferimento alla sezione **Controllo del livello dell'olio**.
3. Avviare il motore. Fare riferimento alla sezione **Avviamento del motore**.
4. Se la spia di controllo motore resta ATTIVA e il motore continua ad arrestarsi automaticamente, non usare il motore. Rivolgersi immediatamente a un'Officina autorizzata Briggs & Stratton per risolvere il problema.

Manutenzione

Informazioni di manutenzione



AVVERTENZA

Il carburante e i suoi vapori sono infiammabili ed esplosivi. Gli incendi e le esplosioni possono provocare bruciature gravi o morte.

Durante la manutenzione, se è necessario inclinare l'unità, assicurarsi che il serbatoio carburante, se montato sul motore, sia vuoto e che il lato candela sia rivolto verso l'alto. Se il serbatoio carburante non è vuoto, il carburante può versarsi con rischio di incendio o esplosione. Se il motore viene inclinato in una direzione diversa, non si avvierà facilmente a causa della contaminazione di olio o carburante nel filtro dell'aria nella candela.



AVVERTENZA

Scintille del motore accidentali possono causare scosse elettriche, incendi o esplosioni e provocare impigliamenti, amputazioni o lacerazioni.

Prima di effettuare modifiche o riparazioni:

- Scollegare i cavi delle candele e tenerli lontani dalle candele stesse.
- Scollegare il terminale negativo della batteria (solo sui motori ad avviamento elettrico).
- Usare solo attrezzi adatti.

Quando si controlla la presenza di scintille:

- Usare un tester approvato per candele.
- Non controllare la presenza di scintille con la candela rimossa.



AVVERTENZA

I ricambi devono essere uguali e installati nella stessa posizione dei componenti originali. Altre parti potrebbero provocare danni o lesioni personali.

NOTA

Tutti i componenti utilizzati per costruire questo motore devono rimanere montati nelle proprie sedi per un funzionamento corretto.

Per tutte le operazioni di assistenza e manutenzione del motore e dei relativi componenti, contattare un'officina autorizzata Briggs & Stratton.

Dichiarazione controllo emissioni

Per la manutenzione, la sostituzione o la riparazione dei dispositivi e degli impianti di controllo delle emissioni, contattare un tecnico di assistenza o un'officina di riparazione attrezzata per motori fuoristrada. Tuttavia, per ottenere un servizio di controllo delle emissioni "gratuito", è necessario che il servizio sia effettuato da un rivenditore autorizzato dall'azienda. Fare riferimento alle Dichiarazioni sul controllo delle emissioni.

Programma di manutenzione

Prime 5 ore
<ul style="list-style-type: none">• Cambiare l'olio.
Intervalli di 8 ore o giornalmente
<ul style="list-style-type: none">• Controllare il livello dell'olio motore.• Pulire l'area intorno alla marmitta.• Pulire la griglia di aspirazione dell'aria.
Intervalli di 100 ore o annualmente
<ul style="list-style-type: none">• Eseguire la manutenzione del sistema di scarico.
Intervalli di 200 ore o annualmente
<ul style="list-style-type: none">• Cambiare l'olio del motore.• Pulire il filtro dell'aria¹
Intervalli di 600 ore od ogni 2 anni
<ul style="list-style-type: none">• Sostituire il filtro aria.• Sostituire il filtro del carburante¹
Annualmente
<ul style="list-style-type: none">• Sostituire la candela.• Manutenzione dell'impianto carburante.• Eseguire la manutenzione del sistema di raffreddamento¹.

- Controllare la distanza delle valvole².

¹ Pulire con maggiore frequenza in presenza di polvere o molte particelle nell'aria.

² Eseguire solo in caso di problemi relativi al motore.

Sistema di iniezione elettronica del carburante (EFI)

Il sistema EFI sottopone a monitoraggio la temperatura e il regime del motore e la tensione della batteria per l'avviamento e il riscaldamento del motore. Il sistema non necessita di regolazioni. In caso di problemi di avviamento o funzionamento, contattare un'officina autorizzata Briggs & Stratton.

NOTA Per evitare danni al sistema EFI, osservare sempre le seguenti avvertenze.

- Non avviare MAI il motore se i cavi della batteria sono allentati.
- Portare la chiave in posizione DISATTIVO prima di scollegare, rimuovere e/o installare la batteria.
- NON usare un caricabatterie per avviare il motore.
- NON scollegare i cavi della batteria a motore acceso.
- In sede di collegamento dei cavi della batteria, collegare sempre il cavo positivo (+) per primo, quindi il cavo negativo (-) alla batteria.
- Durante la ricarica della batteria, portare l'interruttore di avviamento in posizione DISATTIVO e scollegare il cavo negativo (-) della batteria.
- NON spruzzare acqua direttamente sulla centralina elettronica.

Manutenzione della candela

Controllare la distanza della candela (A, Figura 9) con uno spessore (B). Se necessario, impostare la distanza della candela. Montare e serrare la candela al valore di coppia corretto. Per i valori della coppia di serraggio e della distanza, fare riferimento alla sezione **Specifiche**.

Per accedere alla candela, accertarsi che il motore sia impostato in posizione DISATTIVO. Scollegare il cavo della candela (D, Figura 10) e tenerlo lontano dalla stessa (E).

Su alcuni modelli EFI-ETC, per raggiungere la candela è necessario togliere lo scudo termico. Procedere quindi come segue.

1. Sbloccare la linguetta rossa (A, Figura 11) dal connettore (B).
2. Spingere la linguetta nera (C, Figura 11) e allo stesso tempo tirare il connettore (B) fuori dalla bobina di accensione (D).
3. Togliere la valvola dei detriti (E, Figura 11).
4. Togliere la vite superiore (F, Figura 11) e quella laterale (G) dalla staffa (H).
5. Togliere lo scudo termico (H, Figura 11).
6. Togliere la bobina di accensione (D, Figura 11).
7. Sostituire la candela (I, Figura 12).
8. Installare la bobina di accensione (D, Figura 11).
9. Installare la staffa (H, Figura 11).
10. Inserire la vite superiore (F, Figura 11) e quella laterale (G) nella staffa (H).
11. Installare la valvola dei detriti (E, Figura 11).
12. Installare il connettore (B, Figura 11) nella bobina di accensione (D).
13. Bloccare la linguetta rossa (A, Figura 11).

Manutenzione dei sistemi di scarico e raffreddamento



AVVERTENZA

Durante il funzionamento, il motore e la marmitta possono scaldarsi. Se si tocca un motore caldo, possono verificarsi ustioni.

Materiale infiammabile come foglie, erba e arbusti, possono prendere fuoco.

- Prima di toccare il motore o la marmitta, arrestare il motore e attendere due (2) minuti. Accertarsi che il motore e la marmitta possano essere toccati in sicurezza.
- Rimuovere i detriti dalla marmitta e dal motore.

La sezione 4442 del codice sulle risorse pubbliche della California (California Public Resource Code) vieta l'uso o l'operazione della macchina in zone forestali, zone cespugliose o zone erbose a meno che il sistema di scarico non sia dotato di parascintille, come definito nella sezione 4442, conservati in perfetta funzionalità. Altri Stati o giurisdizioni federali potrebbero disporre di leggi simili; fare riferimento al Regolamento federale 36 CFR Parte 261.52. Contattare il costruttore originale o un rivenditore autorizzato per avere un apposito parascintille per il sistema di scarico installato su questo motore.

Questo è un motore raffreddato ad aria. La presenza di sporco o detriti possono impedire il passaggio del flusso dell'aria e causare il surriscaldamento del motore. In

tal caso le prestazioni del motore saranno scarse e la sua durata ridotta. Le alette di raffreddamento del cilindro possono accumulare materiale indesiderato che non può essere rimosso senza smontare parzialmente il motore. Assicurarsi che un'officina autorizzata Briggs & Stratton esamini e pulisca il sistema di raffreddamento ad aria. Vedere il **Programma di manutenzione**.

1. Accertarsi che non vi siano materiali infiammabili intorno e dietro la marmitta.
2. Utilizzare un pennello o un panno asciutto per togliere materiale indesiderato dal coperchio del convogliatore d'aria, dalla marmitta e dalla zona del cilindro. NON utilizzare acqua per pulire il motore.
3. Assicurarsi che i collegamenti, le molle e i comandi siano puliti.
4. Controllare la marmitta per verificare l'eventuale presenza di incrinature, corrosione o altri danni.
5. Rimuovere il deflettore o il parascintille, se installato, e ispezionarlo per verificare se è danneggiato o se è presente un'occlusione provocata dal carbonio. Assicurarsi di aver pulito o installato i pezzi di ricambio prima di mettere in funzione l'apparecchiatura.
6. Se le alette del radiatore dell'olio sono installate, accertarsi che siano pulite.

Cambio dell'olio motore

AVVERTENZA



Il carburante e i suoi vapori sono infiammabili ed esplosivi. Gli incendi e le esplosioni possono provocare bruciature gravi o morte.

Durante il funzionamento, il motore e la marmitta possono scaldarsi. Se si tocca un motore caldo, possono verificarsi ustioni.

- Se si scarica l'olio dalla parte superiore del tubo di riempimento, il serbatoio carburante deve essere vuoto. Se il serbatoio non è vuoto, il carburante può versarsi con rischio di incendio o esplosione.
- Prima di toccare il motore o la marmitta, arrestare il motore e attendere due (2) minuti. Accertarsi che il motore e la marmitta possano essere toccati in sicurezza.

L'olio esausto è un rifiuto pericoloso e deve essere smaltito correttamente. Non smaltire con i rifiuti domestici. Rivolgersi alle autorità locali, al centro assistenza o al rivenditore per le strutture di smaltimento/riciclo.

Rimozione dell'olio

1. Con il motore spento ma ancora caldo, scollegare il cavo della candela (D, Figura 10) e tenerlo lontano dalla candela stessa (E). Per i modelli di motore dotati di scudo termico (Figura 11), scollegare il cavo della candela come segue:
 - a. Sbloccare la linguetta rossa (A, Figura 11) dal connettore (B).
 - b. Spingere la linguetta nera (C, Figura 11) e allo stesso tempo tirare il connettore (B) fuori dalla bobina (D).
2. Togliere l'asta di livello (A, B, C, Figura 4).
3. Rimuovere uno dei tappi di scarico dell'olio (F, G, Figura 13). Spurgare l'olio in un contenitore approvato.
4. Installare e serrare il tappo di scarico dell'olio (F, G, Figura 13).

Rifornimento di olio

- Assicurarsi che il motore sia a livello.
 - Rimuovere i materiali indesiderati dall'area per riempimento dell'olio.
 - Vedere la sezione **Specifiche** per la capacità coppa olio.
1. Togliere l'asta di livello (A, B, C, Figura 4).
 2. Versare lentamente dell'olio in una delle imboccature per il riempimento dell'olio motore (E, F, Figura 5). Non aggiungere olio in eccesso.
 3. Installare l'asta di livello (A, B, C, Figura 4).
 - a. Asta di livello prolungata, se installata (B, Figura 4): Accertarsi che i segni di riempimento dell'olio sull'asta di livello (B) siano rivolti verso la parte superiore del motore.
 - b. Asta di livello corta o tappo di rabbocco dell'asta di livello, se installati (C, Figura 4): Girare e stringere l'asta di livello (C).
 4. Togliere nuovamente l'asta di livello (A, B, C, Figura 4).
 5. Controllare il livello dell'olio. Accertarsi che il livello dell'olio raggiunga la parte superiore dell'indicatore di pieno sull'asta di livello (D, Figura 4).
 6. Installare nuovamente l'asta di livello (A, B, C, Figura 4).
 7. Collegare il cavo della candela (D, Figura 10) alla candela (E). Per i modelli di motore dotati di scudo termico (Figura 11) collegare il cavo della candela come segue:
 - a. Installare il connettore (B, Figura 11).
 - b. Bloccare la linguetta rossa (A, Figura 11).

Manutenzione del filtro aria



AVVERTENZA

I vapori del carburante sono infiammabili ed esplosivi. Gli incendi e le esplosioni possono provocare bruciature gravi o morte.

- Non avviare né far funzionare il motore con il gruppo di filtraggio dell'aria (se in dotazione) o il filtro dell'aria (se in dotazione) rimossi.

NOTA

Non usare aria pressurizzata né solventi per pulire il filtro. L'aria compressa può danneggiare il filtro, mentre i solventi possono corroderlo.

Consultare la **Tabella di manutenzione** per i requisiti di assistenza.

A seconda dei modelli, viene utilizzato un filtro dell'aria in schiuma o in carta. Alcuni modelli potrebbero anche essere dotati di un pre-filtro che può essere pulito e riutilizzato. Confrontare le illustrazioni in questo manuale con il tipo installato sul motore ed eseguire la manutenzione come segue.

Filtro aria in carta

1. Allentare il/i dispositivo/i di fissaggio (C, Figura 14).
2. Rimuovere il coperchio (A, Figura 14) e il filtro (B).
3. Per togliere i detriti, battere delicatamente il filtro (B, Figura 14) su una superficie dura. Se il filtro è sporco, sostituirlo con uno nuovo.
4. Installare il filtro (B, Figura 14).
5. Installare il coperchio (A, Figura 14) con i fermi (C). Assicurarsi che il/i dispositivo/i di fissaggio sia/no stretto/i.

Filtro dell'aria in carta - Basso Profilo

1. Spostare il fermo (A, Figura 15) per sbloccare il coperchio (C).
2. Spingere le linguette (B, Figura 15) e rimuovere il coperchio (C).
3. Rimuovere il filtro (D, Figura 15).
4. Per togliere i detriti, battere delicatamente il filtro (D, Figura 15) su una superficie dura. Se il filtro è sporco, sostituirlo con uno nuovo.
5. Installare il filtro (D, Figura 15).
6. Installare il coperchio (C, Figura 15). Spostare il fermo (A) nella posizione di blocco.

NOTA: Controllare che la guarnizione in spugna (E, Figura 15) sia ben inserita. Accertarsi che la guarnizione in spugna del perimetro sia alloggiata correttamente nel canale (F).

Manutenzione dell'impianto carburante



AVVERTENZA

Il carburante e i suoi vapori sono infiammabili ed esplosivi. Gli incendi e le esplosioni possono provocare bruciature gravi o morte.

- Tenere il carburante lontano da scintille, fiamme libere, fiamme pilota, calore e altre fonti di accensione.
- Esaminare frequentemente le linee del carburante, il serbatoio carburante, il tappo del carburante e i collegamenti per individuare crepe o perdite. Sostituire le parti danneggiate.
- Se il carburante si versa, attendere che si asciughi prima di avviare il motore.

Filtro del carburante, se installato

1. Prima sostituire il filtro del carburante (A, Figura 16), scaricare il serbatoio carburante o chiudere il rubinetto di chiusura del carburante. Se il serbatoio carburante non viene scaricato, il carburante potrebbe fuoriuscire e provocare un incendio o un'esplosione.
2. Stringere le alette (B, Figura 16) sulle fascette (C) con delle pinze. Allontanare le fascette dal filtro del carburante (A).
3. Ruotare e sfilare i tubi di alimentazione del carburante (D, Figura 16) dal filtro del carburante.
4. Verificare che il sistema di alimentazione (D, Figura 16) non presenti crepe o perdite. Se necessario, sostituire i tubi del carburante.
5. Sostituire il filtro del carburante (A, Figura 16).
6. Collegare i tubi del carburante (D, Figura 16) con le fascette (C).

Filtro del carburante, se installato

1. Togliere il tappo del carburante (A, Figura 17).
2. Togliere il filtro del carburante (B, Figura 17).
3. Se il filtro del carburante è sporco, pulirlo o sostituirlo. Se si sostituisce il filtro del carburante, assicurarsi di usare un ricambio originale.

Rimessaggio Impianto carburante

Vedere la Figura: 18.



AVVERTENZA

Il carburante e i suoi vapori sono infiammabili ed esplosivi. Gli incendi e le esplosioni possono provocare bruciature gravi o morte.

Conservazione del carburante

- Poiché le fiamme pilota o altre fonti di accensione possono causare esplosioni, conservare il carburante o le altre apparecchiature lontano da forni, stufe, caldaie o altri dispositivi con fiamme pilota.

Mantenere il motore in piano nella normale posizione di funzionamento. Riempire il serbatoio carburante (A, Figura 18) con carburante. Per consentire l'espansione del carburante, non riempire oltre il collo del serbatoio carburante (B).

Il carburante può diventare stantio se conservato in un contenitore per più di 30 giorni. Si raccomanda uno stabilizzatore di carburante senza alcol e un trattamento all'etanolo nel contenitore per conservare il carburante. In questo modo si preserverà la freschezza del carburante, riducendo eventuali problemi correlati al carburante o causati all'impianto in seguito a contaminazione.

Quando si riempie il contenitore con il carburante, aggiungere uno stabilizzatore di carburante senza alcol come specificato nelle istruzioni. Se non è stata trattata con uno stabilizzatore di carburante, la benzina presente nel motore deve essere drenata in un contenitore approvato. Avviare il motore e attendere che termini il carburante.

Olio motore

Mentre il motore è ancora caldo, cambiare l'olio. Fare riferimento alla sezione **Cambio dell'olio del motore**.

Individuazione e correzione dei problemi

Assistenza

Per assistenza, contattare il rivenditore locale, visitare BRIGGSandSTRATTON.COM o chiamare il numero **1-800-444-7774** (negli USA).

Specifiche e Pezzi di ricambio

Modello: 25E300	
Cilindrata	24.898 ci (408 cc)
Alesaggio	3.465 poll. (88 mm)
Corsa	2.638 poll. (67 mm)
Capacità coppa olio	28-32 oz (.82 - .95 L)
Distanza elettrodo candele	.030 poll. (.76 mm)
Coppia di serraggio candela	170 lb-poll. (19,2 Nm)
Intraferro del sensore velocità	.010 - .015 poll. (.254 - .381 mm)
Distanza valvola di aspirazione	.004 - .006 poll. (.10 - .15 mm)
Distanza valvola di scarico	.006 - .008 poll. (.15 - .20 mm)

La potenza del motore diminuisce del 3,5% ogni 300 metri (1.000 piedi) sopra il livello del mare e dell'1% ogni 5,6 °C (10 °F) sopra i 25° C (77 °F). Il motore funzionerà in modo soddisfacente ad un'angolazione massima di 30°. Fare riferimento al Manuale dell'operatore dell'attrezzatura per i limiti di funzionamento in sicurezza sui tratti in pendenza.

Pezzi di ricambio

Per acquistare parti di ricambio Briggs & Stratton, trova un'officina autorizzata all'indirizzo BRIGGSandSTRATTON.COM. Avrai bisogno del numero di identificazione (modello - tipo - trim). Per trovare il numero di identificazione motore, fai riferimento alla sezione **Funzioni e comandi**.

Potenza Nominale

La potenza nominale lorda per i singoli modelli di motore a benzina è etichettata in conformità con lo standard Small Engine Power & Torque Rating Procedure codice J1940 della SAE (Society of Automotive Engineers) ed è classificata conformemente a SAE J1995. I valori di coppia sono calcolati a 2600 RPM per i motori con la dicitura "rpm" sull'etichetta e a 3060 RPM per tutti gli altri motori; i valori di potenza in cavalli sono calcolati a 3600 RPM. Le curve di potenza lorda possono essere visualizzate sul sito www.BRIGGSandSTRATTON.COM. I valori di potenza netti sono ricavati con marmitta e filtro dell'aria installati mentre i valori di potenza lordi sono ricavati senza questi accessori. La potenza lorda reale del motore sarà superiore a quella netta ed è influenzata, fra altri fattori, da condizioni operative ambientali e variabilità da motore a motore. Data la vasta gamma di prodotti su cui sono installati i motori, il

motore a benzina potrebbe non sviluppare la potenza lorda nominale quando usato su una data apparecchiatura. La differenza è dovuta a diversi fattori compreso, ma non esclusivamente, a varietà dei componenti del motore (filtro dell'aria, marmitta, carica, raffreddamento, carburatore, pompa del carburante, ecc.), restrizioni applicative, condizioni operative ambientali (temperatura, umidità, altitudine) e variabilità da motore a motore. A causa di limitazioni di produzione e di capacità, Briggs & Stratton potrà sostituire questo motore di serie con un motore di potenza nominale superiore.

Garanzia

Garanzia per il motore Briggs & Stratton®

Decorrenza agosto 2022

Garanzia limitata

Briggs & Stratton garantisce che, durante il periodo di garanzia specificato di seguito, provvederà alla riparazione o alla sostituzione gratuita, a sua esclusiva discrezione, di parti che presentino difetti di materiale o di lavorazione o entrambi con parti nuove, rettifiche o riprodotte. Le spese di trasporto del prodotto di cui si richiede la sostituzione o riparazione in garanzia sono a carico dell'acquirente. La presente garanzia risulta valida per il periodo di tempo indicato nel presente documento ed è soggetta alle condizioni indicate di seguito. Per l'assistenza in garanzia, è possibile individuare l'Officina autorizzata più vicina tramite la nostra mappa Trova officina all'indirizzo BRIGGSandSTRATTON.COM. L'acquirente dovrà contattare l'Officina autorizzata e mettere a disposizione di quest'ultima il prodotto per l'ispezione e la verifica.

Non vi è alcun'altra garanzia esplicita. Le garanzie implicite, comprese quelle di commerciabilità e adeguatezza ad uno scopo particolare, si limitano a un anno dalla data di acquisto o nella misura in cui è consentito dalla legge. È esclusa ogni altra garanzia implicita. Le responsabilità per danni incidentali o indiretti sono escluse nella misura consentita dalla legge. Alcuni stati o paesi non permettono limitazioni al periodo di validità di una garanzia implicita e alcuni stati o paesi non permettono l'esclusione o la limitazione della responsabilità per danni incidentali o indiretti, per cui le limitazioni sopra riportate potrebbero non applicarsi al vostro caso. La presente garanzia concede all'utente specifici diritti legali e lo stesso potrebbe avere altri diritti che variano da stato a stato o da Paese a Paese.

Termini di garanzia standard^{1, 2}

Vanguard®; Commercial Series

Uso privato - 36 mesi

Uso industriale - 36 mesi

Serie XR

Uso privato - 24 mesi

Uso industriale - 24 mesi

Tutti gli altri motori con manicotti in ghisa Dura-Bore™

Uso privato - 24 mesi

Uso industriale - 12 mesi

Tutti gli altri motori

Uso privato - 24 mesi

Uso industriale - 3 mesi

¹ I presenti costituiscono i termini standard di garanzia, ma occasionalmente può essere prevista un'ulteriore copertura della garanzia, non determinata al momento della pubblicazione. Per un elenco completo dei termini di garanzia attuali applicati al proprio motore, visitare BRIGGSandSTRATTON.COM, oppure contattare un'Officina autorizzata Briggs & Stratton.

² Tale garanzia non è applicabile ai motori di apparecchi utilizzati per fornire potenza in sostituzione di un motore di servizio, ai generatori di standby usati per scopi commerciali, ai veicoli utilitari che superano le 25 MPH o ai motori utilizzati per corse o su tratte commerciali o da noleggio.

* In Australia - I nostri prodotti hanno garanzie che non possono essere escluse ai sensi della legge australiana a tutela dei consumatori. L'utente ha diritto alla sostituzione o al rimborso in caso di guasto grave e ad un indennizzo per ogni altra perdita o danno ragionevolmente prevedibile. L'utente ha pertanto diritto alla riparazione o alla sostituzione della merce qualora questa non sia di qualità accettabile e il guasto non sia equiparabile a un guasto grave. Per l'assistenza in garanzia, trovare l'Officina autorizzata più vicina usando il numero Trova officina fornito su BRIGGSandSTRATTON.COM, chiamando il numero 1300 274 447, inviando un'e-mail all'indirizzo salesenquiries@briggsandstratton.com.au o scrivendo a Briggs & Stratton Australia Pty Ltd, 1 Moorebank Avenue, Moorebank, NSW, Australia, 2170.

Il periodo di garanzia inizia alla data di acquisto del primo consumatore o utente professionale e si conclude come indicato nella tabella. Per "uso privato" si intende l'utilizzo effettuato da un acquirente al dettaglio presso la propria residenza. Per "uso commerciale" si intendono tutti gli altri usi, compresi gli usi commerciali, che generano reddito o il noleggio. Dopo che un motore è stato utilizzato ad uso professionale, sarà sempre classificato come motore per uso professionale ai fini di questa polizza di garanzia.

Per ottenere assistenza in garanzia per i prodotti Briggs & Stratton non è richiesta alcuna registrazione. Conservare lo scontrino di ricevuta dell'acquisto. Qualora l'acquirente non sia in grado di fornire la prova della data dell'acquisto iniziale nel momento della richiesta di assistenza, il periodo di garanzia verrà determinato utilizzando la data di produzione.

Informazioni sulla garanzia

La presente garanzia copre esclusivamente i difetti del motore dovuti a difetti di materiale e/o lavorazione e non la sostituzione o il rimborso dell'attrezzatura sulla quale il motore può essere installato. La presente garanzia non copre la manutenzione di routine, le regolazioni, le correzioni o la normale usura. Inoltre, la presente garanzia non si applica in caso di alterazioni o modifiche del motore o in caso di rimozione o manomissione del numero di serie. La presente garanzia non copre danni al motore o problemi di performance causati da:

1. L'uso di pezzi nonBriggs & Stratton
2. Azionamento del motore con un olio lubrificante insufficiente, impuro o di grado scorretto;
3. L'uso di carburante impuro o vecchio, benzine formulate con un contenuto di etanolo superiore al 10% o l'uso di carburanti alternativi, come GPL o gas naturale su motori che non erano originariamente progettati/fabbricati da Briggs & Stratton per lavorare con simili carburanti;
4. Sporczia penetrata all'interno del motore a causa di manutenzione e rimontaggio non corretti del filtro dell'aria;
5. L'urto contro un oggetto solido da parte della lama di taglio di una falciatrice rotativa, adattatori delle lame, giranti o altri dispositivi accoppiati all'albero motore allentati o installati scorrettamente oppure a causa di un'eccessiva tensione della cinghia trapezoidale;
6. Parti combinate o gruppi quali frizioni, trasmissioni, attrezzature di comando, ecc., non forniti da Briggs & Stratton;
7. Surriscaldamento causato da residui d'erba, sporczia e detriti o nidi di roditori che tappano o intasano le alette di raffreddamento o l'area del volano o dall'azionamento del motore senza ventilazione sufficiente;
8. Vibrazioni eccessive causate da velocità eccessiva, montaggio del motore allentato, lame di taglio o giranti allentate o sbilanciate o accoppiamento improprio dei componenti dell'attrezzatura sull'albero motore;
9. Uso improprio, assenza di manutenzione di routine, spedizione, manipolazione o magazzino dell'attrezzatura o installazione scorretta del motore.

L'assistenza in garanzia è disponibile esclusivamente presso le officine autorizzate Briggs & Stratton. Localizzare l'Officina autorizzata più vicina sulla mappa Trova officina su BRIGGSandSTRATTON.COM o chiamare il numero 1-800-444-7774 (negli USA).

80114782 (Revisione A)

Algemene informatie



Deze handleiding bevat de veiligheidsinformatie over de gevaren en risico's met betrekking tot de motor en hoe u deze kunt voorkomen. Hij bevat ook de juiste bediening en het onderhoud van deze motor. Het is belangrijk dat u deze instructies leest, begrijpt en opvolgt. **Bewaar deze handleiding voor later gebruik.**

OPMERKING: De Afbeeldingen en illustraties in deze handleiding zijn uitsluitend bedoeld als informatie en kunnen afwijken van het model motor dat u heeft. Gebruik de Afbeeldingen die overeenkomen met uw motorconfiguratie. Neem indien noodzakelijk contact op met een erkende servicedealer.

Noteer de aankoopdatum, het motormodel, het type, de uitvoering en het motorserienummer voor vervangende onderdelen. Deze nummers staan op uw motor. Raadpleeg het gedeelte **Funcities en bedieningselementen**.

Aankoopdatum	
Motormodel - Type - Uitrusting	
Serienummer motor	

Contactinformatie voor Europees kantoor

Voor vragen gerelateerd aan Europese emissies kunt u contact opnemen met ons Europees kantoor:

Max-Born-Straße 2, 68519 Viernheim, Duitsland.

Fase V (5) van de Europese Unie (EU): Kooldioxide (CO₂)-niveaus

Voer CO₂ in het zoekvenster op BriggsandStratton.com in om de kooldiofdoxidewaarden van Briggs & Stratton EU-typegoedkeuringscertificaten te vinden.

Veiligheid van de gebruiker

Veiligheidssymbool en signaalwoorden



Het veiligheidssymbool duidt veiligheidsinformatie aan over gevaren die persoonlijk letsel tot gevolg kunnen hebben. Een signaalwoord (**GEVAAR**, **WAARSCHUWING**, of **VOORZICHTIG**) wordt gebruikt om te wijzen op de waarschijnlijkheid en de mogelijke ernst van het letsel. Verder wordt een gevarensymbool gebruikt om het soort gevaar aan te duiden.

GEVAAR duidt op een risico, dat indien het niet wordt vermeden, de dood of ernstig lichamelijk letsel tot gevolg zal hebben.

WAARSCHUWING duidt op een risico, dat indien het niet wordt vermeden, kan leiden tot de dood of een ernstig lichamelijk letsel.

VOORZICHTIG duidt op een gevaar dat, indien het niet wordt voorkomen, kan resulteren in licht of matig letsel.

OPGEPAST geeft informatie aan die wel belangrijk wordt geacht, maar niet gerelateerd is aan gevaar.

Gevarensymbolen en hun betekenis

Veiligheidsinformatie over gevaren die tot persoonlijk letsel kunnen leiden.	Zorg dat u de gebruiksaanwijzing hebt gelezen en begrepen voordat u de eenheid bedient of onderhoud aan de eenheid uitvoert.
Brandgevaar	Explosiegevaar
Gevaar voor schokken	Giftigedampengevaar
Heteoppervlakkengevaar	Gevaar voor terugslag



Gevaar voor amputatie -
Bewegende onderdelen



Brandstofniveau -
Maximum
Voeg niet te veel brandstof
toe

Veiligheidsberichten



WAARSCHUWING

De motoren van Briggs & Stratton® zijn niet bedoeld voor en mogen niet worden gebruikt met: funkarts, go-karts, kinder-, vrijetijds- of terreinvoertuigen (ATVs), motorfietsen, hovercrafts, luchtvaartproducten of voertuigen die worden gebruikt bij wedstrijden die niet zijn goedgekeurd door Briggs & Stratton. Ga voor meer informatie over producten voor racewedstrijden naar www.briggsracing.com. Neem voor gebruik in zij-aan-zij ATVs en naast elkaar geplaatste terreinwagens contact op met het Briggs & Stratton Power Application Center, 1-866-927-3349. Onjuist gebruik van de motor kan ernstig letsel of de dood tot gevolg hebben.

Recycling-informatie



Recycle alle dozen, gebruikte olie en batterijen zoals aangegeven door overheidsvoorschriften.

Funcities en bedieningselementen Motorbedieningen

Vergelijk de letters in Afbeeldingen 1, 2 en 3 met de motorbedieningen¹ in de onderstaande lijst:

- A. Motoridentificatienummers **Model - Type - Uitvoering**
- B. Brandstoftank en -dop
- C. Luchtfilter, montage hoog
- D. Luchtfilter, montage laag
- E. Startkoordgreep
- F. Oliepeilstok, bovenste
- G. Oliepeilstok, onderste (indien geïnstalleerd)
- H. Olievulopening
- I. Olieaftapplug
- J. Demper, demperbescherming (indien geïnstalleerd), vonkenvanger (indien geïnstalleerd)
- K. Elektronische gashendelbediening (indien geïnstalleerd)
- L. Lampje controleer motor (indien geïnstalleerd)
- M. Ventilatorhuisdeksel
- N. Stopschakelaar (indien geïnstalleerd)

¹ Sommige motoren en apparatuur hebben afstandsbedieningen. Raadpleeg de betreffende handleiding voor de locatie en de bediening van de afstandsbedieningen.

Motorbedieningssymbolen en hun betekenis

Motortoerental - SNEL	Motortoerental - LANGZAAM
Motor - STOPPEN	Motor - STARTEN
Motor - ON	

Bediening



WAARSCHUWING
Brandstof dampen zijn ontbrandbaar en explosief. Brand of explosies kunnen brandwonden of de dood tot gevolg hebben.

Als u gas ruikt

- De motor niet starten.
- Schakel geen elektrische schakelaars aan.
- Geen telefoon in de buurt gebruiken.
- Verlaat de omgeving.
- Neem contact op met de brandweer.

Wanneer u de machine bedient

- Kantel de motor of machine niet tot een hoek die veroorzaakt dat er brandstof gemorst wordt.

Wanneer u de locatie van de machine verplaatst

- Zorg ervoor dat de brandstoftank LEEG is of dat de brandstofsluitklep, indien geïnstalleerd, in de stand GESLOTEN staat.

Controleer het oliepeil

Voordat u olie controleert of bijvult

- Zorg ervoor dat de motor waterpas staat.
- Verwijder het ongewenste materiaal rondom het oliegebied.
- Raadpleeg hoofdstuk **Specificaties** voor de oliecapaciteit.

OPGEPAST

Deze motor werd door Briggs & Stratton zonder olie op transport gezet. Machinefabrikanten of dealers kunnen olie aan de motor hebben toegevoegd. Controleer voordat u de motor voor het eerst start of de olie op het juiste peil is. Vul olie bij volgens de instructies in deze handleiding. Als u de motor start zonder olie, zal er schade ontstaan en wordt de motor niet onder garantie gerepareerd.

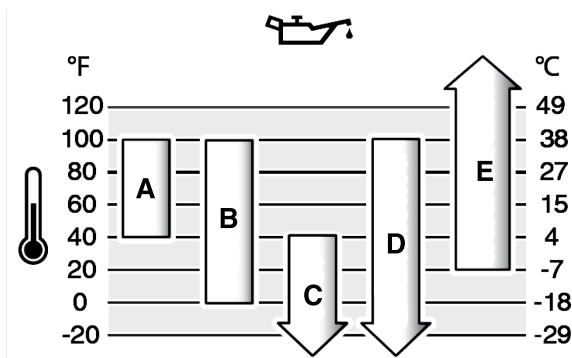
1. Verwijder de peilstok (A, B, C, Afbeelding 4). Gebruik een doek om olie van de peilstok (A, B, C) te verwijderen.
2. Plaats de peilstok (A, B, C, Afbeelding 4).
 - a. Laag gemonteerde peilstok, indien geïnstalleerd (B, Afbeelding 4): Zorg ervoor dat de olieulmarkeringen op de peilstok (B) naar de bovenkant van de motor wijzen.
 - b. Korte peilstok of vulplug peilstok, indien geïnstalleerd (C, Afbeelding 4): Draai de peilstok (C) aan.
3. Verwijder de peilstok opnieuw (A, B, C, Afbeelding 4).
4. Controleer het oliepeil. Zorg ervoor dat het oliepeil bovenaan bij de indicator voor vol (D, Afbeelding 4) staat.
5. Als het oliepeil laag is, voegt u langzaam olie toe via de olievloupeningen (E, F, Afbeelding 5). U mag niet te veel olie bijvullen.
6. Wacht één minuut. Controleer het oliepeil opnieuw. Zorg ervoor dat het oliepeil correct is.
7. Plaats de peilstok (A, B, C, Afbeelding 4).

Aanbevolen olie

Oliecapaciteit: Raadpleeg het hoofdstuk **Technische gegevens**.

We adviseren voor de beste prestaties het gebruik van door Briggs & Stratton® garantie gecertificeerde soorten olie. Andere hoogwaardige soorten reinigingsolie zijn toegestaan, mits deze geschikt zijn voor SF, SG, SH, SJ of hoger. Gebruik geen speciale additieven.

Bepaal met behulp van de tabel de beste viscositeit voor het verwachte bereik van de buitentemperatuur. Motoren op tuinmachines functioneren goed met 5W-30 Synthetische olie. Voor machines die bij hoge temperaturen gebruikt worden, biedt Vanguard® 15W-50 synthetische olie de beste bescherming.



A	SAE 30 - Onder 40 °F (4 °C) leidt het gebruik van SAE 30 tot problemen bij het starten.
B	10W-30 - Boven 80 °F (27 °C) kan het gebruik van 10W-30 leiden tot een hoger olieverbruik. Controleer het oliepeil regelmatig.
C	5W-30
D	Synthetisch 5W-30
E	Vanguard® Synthetisch 15W-50

Beschermingssysteem tegen laag oliepeil (indien geïnstalleerd)

Op sommige motoren is een sensor voor laag oliepeil geïnstalleerd. Als het oliepeil laag is, toont de sensor een waarschuwingsslampje of stopt het de motor. Stop de motor en voer deze stappen uit voordat u de motor start.

- Zorg ervoor dat de motor waterpas staat.
- Voer een controle van de olie uit. Raadpleeg het hoofdstuk **Oliepeil controleren**.
- Als het oliepeil laag is, moet u de correcte hoeveelheid olie bijvullen. Start de motor en controleer of het waarschuwingsslampje (indien geïnstalleerd) niet aan gaat.
- Als het oliepeil niet laag is, start de motor niet. Neem contact op met een erkende servicedealer van Briggs & Stratton om het olieprobleem te verhelpen.

Aanbevolen brandstof

Brandstof moet aan de volgende vereisten voldoen:

- Schone, verse, loodvrije benzine.
- Minimaal 87 octaan/87 AKI (91 RON). Zie hieronder voor gebruik op grote hoogte.
- Benzine met tot 10% ethanol (gasohol) is toegestaan.

OPGEPAST

Gebruik geen niet-goedgekeurde benzine zoals E15 en E85. Meng geen olie in de benzine en pas de motor niet aan voor gebruik op alternatieve brandstoffen. Gebruik van niet-goedgekeurde brandstoffen kan beschadiging van motoronderdelen tot gevolg hebben, die niet onder de garantie worden gerepareerd.

Om het brandstofsysteem te beschermen tegen gomvorming en corrosie, mengt u een alcoholvrije brandstofstabilisator en een ethanolbehandeling door de brandstof. Raadpleeg het hoofdstuk **Opslag**. Niet alle brandstoffen zijn gelijk. Verander bij start- of prestatieproblemen van tankstation of merk. Deze motor is gecertificeerd om op benzine te lopen. Het emissieregelsysteem voor gecarbureerde motoren is EM (motorwrijvingen). Het emissieregelsysteem voor motoren met elektronische brandstofinjectie zijn ECM (motorbesturingsmodule), MPI (multi-poort injectie), TBI (gasklepinjectie) en indien hiermee uitgerust een O2S (zuurstofsensoren).

Grote hoogte

Bij hoogten boven 5.000 voet (1.524 meter) is benzine met een minimum van 85 octaan/85 AKI (89 RON) toegestaan.

Voor machines met carburator is afstelling voor werken op grote hoogte noodzakelijk om een goede werking te behouden. Werking zonder deze aanpassing zal leiden tot verminderde prestaties, verhoogd brandstofverbruik en verhoogde emissies. Raadpleeg een erkende Briggs & Stratton servicedealer voor instructies over de afstelling voor grote hoogtes. Het gebruik van de motor op hoogtes van minder dan 2.500 voet (762 meter) met de afstelling voor grote hoogtes wordt niet aanbevolen.

Bij motoren met elektronische brandstofinspuiting (EFI) is afstelling voor grote hoogten niet nodig.

Brandstof bijvullen



WAARSCHUWING

Brandstof en brandstofdampen zijn ontvlambaar en explosief. Brand of explosies kunnen brandwonden of de dood tot gevolg hebben.

Wanneer u brandstof bijvult

- Stop de motor. Wacht minimaal twee (2) minuten voordat u de brandstofvuldop verwijdert om er zeker van te zijn dat de motor is afgekoeld.
 - Vul de brandstoftank in de buitenlucht of in een gebied met een goede luchtstroming.
 - Doe niet te veel brandstof in de tank. Vul de brandstoftank niet voorbij de onderkant van de vulhals omdat de brandstof uitzet.
 - Houd brandstof uit de buurt van vonken, open vuur, waakvlammen, hitte en andere ontstekingsbronnen.
 - Controleer regelmatig de brandstofleidingen, brandstoftank, brandstofvuldop en aansluitingen op scheuren of lekkages. Vervang beschadigde onderdelen.
 - Indien brandstof wordt gemorst, wacht tot deze verdampt is voordat u de motor start.
1. Reinig het gebied rond de tankdop. Verwijder de tankdop.
 2. Vul de brandstoftank (A, afbeelding 6) met brandstof. Vul de brandstoftank niet tot boven de onderkant van de nek (B) omdat de brandstof zal uitzetten.
 3. Draai de tankdop vast.

De motor starten



WAARSCHUWING

GEVAAR VAN GIFTIG GAS. Motoruitlaatgassen bevatten koolmonoxide, een giftig gas dat u binnen enkele minuten doodt. Ook al ruikt u de uitlaatgassen niet, u kunt toch zijn blootgesteld aan gevaarlijke koolmonoxide. Als u zich tijdens het gebruik van deze machine misselijk, duizelig of zwak voelt, schakel het dan uit en ga METEEN de frisse lucht in. Raadpleeg een arts. Het kan zijn dat u koolmonoxidevergiftiging heeft.

- Koolmonoxidegas kan zich in bewoonde ruimten verzamelen. Om de kans te verkleinen dat zich koolstofmonoxidegas ophoopt en naar ruimten wordt getrokken waar zich personen bevinden moet u dit product ALLEEN buiten gebruiken, ver uit de buurt van vensters, deuren en ventilatieopeningen.
- Plaats koolmonoxidemelders op batterijen of melders op netvoeding met reservebatterij zoals gespecificeerd door de instructies van de fabrikant. Rookmelders kunnen geen koolmonoxide detecteren.
- Gebruik dit product NIET in huizen, garages, kelders, kruipruimten, schuurtjes of andere gesloten ruimten, ook niet met gebruik van ventilatoren of met geopende deuren en of ramen als ventilatie. Na het gebruik van dit product kan koolmonoxide zich snel in deze ruimten verzamelen en uren blijven hangen.
- Plaats dit product ALTIJD met de wind mee en richt de uitlaat van de motor altijd van bewoonde ruimten weg.



WAARSCHUWING

Brandstof en brandstofdampen zijn ontvlambaar en explosief. Brand of explosies kunnen brandwonden of de dood tot gevolg hebben.

Wanneer u de motor start

- Zorg ervoor dat de bougie, de demper, de brandstofvuldop en het luchtfilter (indien aanwezig) correct geïnstalleerd zijn.
- Tracht de motor niet te starten terwijl de bougie verwijderd is.
- Als de motor verzopen is, zet u de choke (indien aanwezig) in de stand OPEN of AAN. Zet de gashendel (indien aanwezig) in de stand SNEL en start de motor tot deze aanslaat.
- Indien er lekkend aardgas of LP Gas in de buurt is, mag u de motor niet starten.
- Omdat de dampen brandbaar zijn, mag u geen onder druk staande startvloeistoffen gebruiken.



WAARSCHUWING

Draaiende onderdelen kunnen handen, voeten, haar, kleding of accessoires verstrikken en traumatische amputatie of scheurwonden tot gevolg hebben.

- Bedien de machine met de beschermkappen correct geïnstalleerd.
- Houd handen en voeten weg van draaiende onderdelen.
- Verwijder sieraden en zorg ervoor dat lang haar uit de buurt blijft van alle draaiende delen.
- Draag geen losse kleding of voorwerpen die vast kunnen komen te zitten.



WAARSCHUWING

Snel terugtrekken van het startkoord (terugslag) zal uw hand en arm sneller naar de motor toetrekken dan u kunt loslaten. Gebroken botten, breuken, kneuzingen of verstuikingen kunnen het gevolg zijn.

- Om terugslag te voorkomen bij het starten van de motor moet het startkoord langzaam uitgetrokken tot er weerstand gevoeld wordt en dan moet er snel aan getrokken worden.
- Voordat u de motor start, moet u alle externe machine- en motorbelastingen verwijderen.
- Zorg ervoor dat direct verbonden machinecomponenten zoals, maar niet beperkt tot, messen, aandrijvingen, poelies en tandwielen correct bevestigd zijn.

OPMERKING: Uw machine kan afstandsbedieningen hebben. Raadpleeg de betreffende handleiding voor de locatie en de bediening van de afstandsbedieningen.

Elektrische start

1. Controleer het oliepeil. Raadpleeg het hoofdstuk *Het oliepeil controleren*.
2. Schakel de bedieningen voor de aandrijving van de apparatuur uit, indien geïnstalleerd.
3. Zet de brandstofkraan, indien geïnstalleerd, in de stand OPEN.
4. Draai de startsleutel (A, Afbeelding 7) naar de stand START.

OPGEPAST Wanneer u de startsleutel (A, Afbeelding 7) loslaat, gaat de sleutel naar de stand ON. De motor zal blijven aanslingeren tenzij de motor start. Om de startvolgorde af te breken, zet u de startsleutel (A) in de stand UIT. Als de motor niet start, voer dan de volgende stappen uit.

5. Zorg ervoor dat de startsleutel (A, Afbeelding 7) in de stand UIT staat. Wacht twee seconden.
6. Draai de startsleutel (A, Afbeelding 7) naar de stand START.
7. Als de motor niet start, breek dan de startvolgorde af en neem contact op met een erkende servicedealer van Briggs & Stratton.

Repeteerstart

OPGEPAST Elektrisch starten is de aanbevolen methode om uw motor te starten.

1. Controleer het oliepeil. Raadpleeg het hoofdstuk *Het oliepeil controleren*.
2. Schakel de bedieningen voor de aandrijving van de apparatuur uit, indien geïnstalleerd.
3. Zorg ervoor dat de motor aangesloten is op een opgeladen accu van 12 volt.
4. Zet de brandstofkraan, indien geïnstalleerd, in de stand OPEN.
5. Draai de startsleutel (A, Afbeelding 8) naar de stand ON. Trek vervolgens aan de startkoordgreep (B).

Stop de motor

1. Draai de startsleutel (A, Afbeelding 7) in de stand UIT.
2. Haal de sleutel uit het contact. Bewaar de sleutel op een veilige plek buiten bereik van kinderen.
3. Nadat de motor stopt, moet de brandstofkraan, indien geïnstalleerd, in de stand GESLOTEN worden gedraaid.

Lampje motor controleren

Het lampje motor controleren (B, afbeelding 7) geeft aan dat er een probleem is met de motor. Als het lampje motor controleren AAN is tijdens het draaien van de motor, neem dan contact op met een erkende servicedealer van Briggs & Stratton om het probleem zo snel mogelijk te verhelpen of wanneer uw werk klaar is. Als het lampje motor controleren AAN is en de motor automatisch is gestopt, voert u de volgende stappen uit:

1. Zorg ervoor dat de motor waterpas staat.
2. Voer een controle van de olie uit. Raadpleeg het hoofdstuk *Oliepeil controleren*.
3. Start de motor. Zie het gedeelte *De motor starten*.
4. Als het lampje motor controleren AAN blijft en de motor automatisch blijft afslaan, moet u de motor niet gebruiken. Neem onmiddellijk contact op met een erkende servicedealer van Briggs & Stratton om het probleem te verhelpen.

Onderhoud

Onderhoudsinformatie



WAARSCHUWING

Brandstof en brandstofdampen zijn ontvlambaar en explosief. Brand of explosies kunnen brandwonden of de dood tot gevolg hebben.

Als het noodzakelijk is om tijdens het onderhoud de machine te kantelen, zorg er dan voor dat de brandstoftank, indien gemonteerd op de motor, leeg is en dat de zijde met de bougie omhoog is. Als de brandstoftank niet leeg is, kan er brandstoflekkage optreden die brand of een explosie tot gevolg kunnen hebben. Als de motor in een andere richting wordt gekanteld, zal deze niet gemakkelijk starten vanwege olie- of brandstofverontreiniging van het luchtfilter of de bougie.



WAARSCHUWING

Een spontane vonk van de motor kan een elektrische schok, brand of explosie veroorzaken en kan verstrikking, traumatische amputatie of ander letsel tot gevolg hebben.

Voordat u aanpassingen maakt of reparaties uitvoert:

- Ontkoppel alle bougiekabels en houd deze weg van de bougies.
- Koppel de accukabel los van de negatieve accupool (alleen motoren met elektrische start).
- Gebruik uitsluitend het correcte gereedschap.

Wanneer u op vonkvorming controleert:

- Gebruik een goedgekeurde bougietester.
- Controleer niet op vonkvorming met de bougie verwijderd.



WAARSCHUWING

Vervangende onderdelen moeten identiek zijn aan, en op dezelfde positie worden geïnstalleerd als, de originele onderdelen. Andere onderdelen kunnen schade of letsel tot gevolg hebben.

OPGEPAST

Alle componenten die zijn gebruikt om deze motor te bouwen moeten op hun plaats blijven voor een correcte werking.

Raadpleeg voor al het onderhoud en alle service aan de motor en de motoronderdelen een erkende servicedealer van Briggs & Stratton.

Onderhoud aan de emissieregeling

Neem voor onderhoud, vervanging of reparatie van apparaten en systemen voor emissiebeperking contact op met een gekwalificeerd bedrijf voor off-road motorreparaties of een servicemonteur. Maar voor de 'kosteloze' emissieregeling-service moeten deze werkzaamheden worden uitgevoerd door een erkende dealer. Raadpleeg de verklaringen voor emissieregeling.

Onderhoudsschema

Eerste 5 uur
<ul style="list-style-type: none">• De motorolie verversen.
Intervallen van 8 uur of dagelijks
<ul style="list-style-type: none">• Controleer het oliepeil.• Reinig het gebied rond de demper.• Reinig het luchtinlaatrooster.
Intervallen van 100 uur of jaarlijks
<ul style="list-style-type: none">• Onderhoud aan het uitlaatsysteem.
Intervallen van 200 uur of jaarlijks
<ul style="list-style-type: none">• De motorolie verversen.• Reinig het luchtfilter¹
Intervallen van 600 uur of 2 jaar
<ul style="list-style-type: none">• Vervang het luchtfilter.• Vervang het brandstoffilter¹
jaarlijks
<ul style="list-style-type: none">• Vervang de bougie.• Onderhoud aan het brandstofsysteem.

- Onderhoud aan het koelsysteem¹.
- Controleer de klepspelings².

¹Vaker reinigen in stoffige omstandigheden of als de lucht veel deeltjes bevat.

²Niet noodzakelijk tenzij bij problemen met de motor.

Elektronisch brandstofinspuitsysteem (EFI)

Het EFI-systeem bewaakt de motortemperatuur, motorsnelheid en accuspanning voor het opstarten van de motor en het opwarmen. Het systeem heeft geen afstellingen. Als er problemen optreden met het opstarten of de werking, neem dan contact op met een erkende servicedealer van Briggs & Stratton.

OPGEPAST Zorg ervoor dat u de onderstaande stappen volgt, anders kan het EFI-systeem beschadigd raken.

- Start de motor NIET als de accukabels loszitten.
- Draai de sleutel naar de stand UIT voordat u de accu loskoppelt, verwijderd en/of installeert.
- Gebruik GEEN een acculader om de motor te starten.
- Koppel de accukabels NIET los terwijl de motor werkt.
- Wanneer u de accukabels aansluit, sluit u eerst de positieve (+) accukabel aan en vervolgens de negatieve (-) accukabel.
- Voordat u de accu oplaad, draait u de contactsleutel naar de stand UIT en koppelt u de negatieve (-) accukabel van de accu los.
- Spuit water NIET rechtstreeks op de Elektronische regelmodule.

Onderhoud aan de bougies

Controleer de elektrodeafstand van de bougie (A, Afbeelding 9) met een draadkaliber (B). Stel, indien nodig, de bougieopening in. Monteer de bougie en zet hem met het juiste aanhaalmoment vast. Zie voor afstelling van de elektrodeafstand en specificaties van het aanhaalkoppel het gedeelte **Specificaties**.

Om bij de bougie te kunnen komen, moet u ervoor zorgen dat de motor in de UIT-stand staat. Maak de bougiekabel los (D, Afbeelding 10), en houd hem uit de buurt van de bougie (E).

Op sommige EFI-ETC-modellen moet u het hiteschild verwijderen om toegang te krijgen tot de bougie. Doorloop de volgende stappen om toegang te krijgen tot de bougie.

1. Ontgrendel het rode lipje (A, Afbeelding 11) van de connector (B)
2. Druk op het zwarte lipje (C, Afbeelding 11) terwijl u de connector (B) uit de ontstekingsspoel (D) trekt.
3. Verwijder de vuilklep (E, Afbeelding 11).
4. Verwijder de bovenste schroef (F, Afbeelding 11) en de zijschroef (G) van de beugel (H).
5. Verwijder het hiteschild (H, Afbeelding 11).
6. Verwijder de ontstekingsspoel (D, Afbeelding 11).
7. Vervang de bougie (I, Afbeelding 12).
8. Installeer de ontstekingsspoel (D, Afbeelding 11).
9. Installeer de beugel (H, Afbeelding 11).
10. Installeer de bovenste schroef (F, Afbeelding 11) en zijschroef (G) in de beugel (H).
11. Installeer de vuilklep (E, Afbeelding 11).
12. Installeer de connector (B, Afbeelding 11) in de ontstekingsspoel (D).
13. Vergrendel het rode lipje (A, Afbeelding 11).

Onderhoud van de uitlaat- en de koelsystemen



WAARSCHUWING

Tijdens het gebruik worden de motor en de demper heet. Als u een hete motor aanraakt, kan dit thermische brandwonden veroorzaken.

Brandbare materialen, zoals bladeren, gras, snoeihout enz. kunnen vlam vatten.

- Voordat u de motor of demper aanraakt, stop de motor en wacht twee (2) minuten. Zorg ervoor dat de motor en de demper veilig zijn om aan te raken.
- Verwijder vuil van de demper en de motor.

Overeenkomstig de California Public Resource Code Sectie 4442 is het verboden de motor te gebruiken in de buurt van een bos-, kreupelhout- of grasgebied tenzij het uitlaatsysteem is uitgerust met een vonkenvanger, zoals gedefinieerd in Sectie 4442, die in goede staat wordt gehouden. Andere staten of federale rechtsgebieden hebben mogelijk vergelijkbare wetten; raadpleeg Federaal Voorschrift 36 CFR Deel 261.52. Neem contact op met de fabrikant, verkoper of dealer om een vonkenvanger te verkrijgen die geschikt is voor het op deze motor gemonteerde uitlaatsysteem.

Dit is een luchtgekoelde motor. Vuil of ongewenst materiaal kan de luchtstroom belemmeren en ervoor zorgen dat de motor te heet wordt. Dit resulteert in matige prestaties en verkort de levensduur van de motor. De koelribben van de cilinder kunnen ongewenst materiaal verzamelen dat niet kan worden verwijderd zonder de motor gedeeltelijk te demonteren. Zorg ervoor dat een erkende servicedealer van Briggs & Stratton het luchtkoelsysteem onderzoekt en reinigt. Raadpleeg het **Onderhoudsschema**.

1. Zorg ervoor dat er zich geen brandbare materialen rond en achter de demper bevinden.
2. Gebruik een borstel of een droge doek om al het ongewenste materiaal van het ventilatorhuisdeksel, de demper en het cilindergebied te verwijderen. Gebruik GEEN water om de motor schoon te maken.
3. Zorg ervoor dat de koppeling, veren en bedieningselementen schoon zijn.
4. Inspecteer de demper op barsten, corrosie of andere beschadiging.
5. Verwijder de deflector of de vonkenvanger, indien geïnstalleerd, en controleer op beschadiging of koolstofblokkering. Zorg ervoor dat u de vervangende onderdelen reinigt of installeert voordat u de apparatuur bedient.
6. Wanneer het is geïnstalleerd, zorg ervoor dat de oliekoelribben schoon zijn.

Motorolie verversen



WAARSCHUWING

Brandstof en brandstofdampen zijn ontvlambaar en explosief. Brand of explosies kunnen brandwonden of de dood tot gevolg hebben.

Tijdens het gebruik worden de motor en de demper heet. Als u een hete motor aanraakt, kan dit thermische brandwonden veroorzaken.

- Als u de olie aftapt uit de olievluis aan de bovenkant, dan moet de brandstoftank leeg zijn. Als deze niet leeg is, kan er brandstoflekkage optreden die brand of een explosie kan veroorzaken.
- Voordat u de motor of demper aanraakt, stop de motor en wacht twee (2) minuten. Zorg ervoor dat de motor en de demper veilig zijn om aan te raken.

Gebruikte olie is een gevaarlijk afvalproduct en moet op correcte wijze worden afgevoerd. Voer het niet met het huishoudelijk afval af. Neem contact op met de plaatselijke autoriteiten, het servicecentrum of uw dealer voor veilige afvoer- of recyclingbedrijven.

Olie verwijderen

1. Ontkoppel de bougiekabel (D, Afbeelding 10) terwijl de motor uitgeschakeld maar nog wel warm is, en houd de kabel uit de buurt van de bougie (E). Bij motormodellen die een hiteschild hebben (Afbeelding 11), koppelt u de bougiekabel als volgt los:
 - a. Ontgrendel het rode lipje (A, Afbeelding 11) van de connector (B).
 - b. Druk op het zwarte lipje (C, Afbeelding 11) terwijl u de connector (B) uit de spoel (D) trekt
2. Verwijder de peilstok (A, B, C, Afbeelding 4).
3. Verwijder een van de olieaftappluggen (F, G, Afbeelding 13). Laat de olie in een goedgekeurde bak stromen.
4. Plaats de olieaftapplug en zet deze vast (F, G, Afbeelding 13).

Olie bijvullen

- Zorg ervoor dat de motor waterpas staat.
- Verwijder al het ongewenste materiaal rondom het gebied waar olie moet worden bijgevoerd.
- Raadpleeg hoofdstuk **Specificaties** voor de oliecapaciteit.

1. Verwijder de peilstok (A, B, C, Afbeelding 4).
2. Voeg langzaam olie toe aan een van de vulopeningen voor motorolie (E, F, Afbeelding 5). Voeg niet te veel olie toe.
3. Plaats de peilstok (A, B, C, Afbeelding 4).
 - a. Verlengde peilstok, indien geïnstalleerd (B, Afbeelding 4): Zorg ervoor dat de olievluismerkingen op de peilstok (B) naar de bovenkant van de motor wijzen.
 - b. Korte peilstok of vulplug peilstok, indien geïnstalleerd (C, Afbeelding 4): Draai de peilstok (C) aan.
4. Verwijder de peilstok (A, B, C, Afbeelding 4) opnieuw.
5. Controleer het oliepeil. Zorg ervoor dat het juiste oliepeil bovenaan bij de indicator voor vol (D, Afbeelding 4) staat.
6. Plaats de peilstok (A, B, C, Afbeelding 4) opnieuw.
7. Sluit de bougiekabel (D, 10) aan op de bougie (E). Bij motormodellen die een hiteschild hebben (Afbeelding 11) sluit u de bougiekabel als volgt aan:
 - a. Installeer de connector (B, Afbeelding 11).
 - b. Vergrendel het rode lipje (A, Afbeelding 11).

De luchtfilter onderhouden



WAARSCHUWING

Brandstof dampen zijn ontbrandbaar en explosief. Brand of explosies kunnen brandwonden of de dood tot gevolg hebben.

- De motor niet starten en gebruiken als de luchtreiniger (indien aanwezig) of het luchtfilter (indien aanwezig) is verwijderd.

OPGEPAST

Reinig het filter niet met perslucht of oplosmiddelen. Perslucht kan beschadiging aan het filter tot gevolg hebben en oplosmiddelen lossen het filter op.

Zie het **Onderhoudsschema** voor het benodigde onderhoud.

Verschillende modellen gebruiken een schuim of een papieren filter. Sommige modellen kunnen ook uitgerust zijn met een optioneel voorfilter dat kan worden gereinigd en opnieuw gebruikt. Vergelijk de afbeeldingen in deze handleiding met het type dat op uw motor is gemonteerd en voer onderhoud op basis daarvan uit.

Papieren luchtfilter

1. Maak de bevestiging(en) los (C, afbeelding 14).
2. Verwijder het deksel (A, afbeelding 14) en het filter (B).
3. Tik het filter (B, afbeelding 14) zachtjes op een hard oppervlak om het vuil los te maken. Als het filter vuil is, vervangt u het door een nieuw filter.
4. Installeer het filter (B, afbeelding 14).
5. Monteer de deksel (A, afbeelding 14) en zet deze vast met de bevestiging(en) (C). Controleer of de bevestiging(en) goed vastzit(ten).

Papieren luchtfilter, laag profiel

1. Verplaats de vergrendeling (A, afbeelding 15) om het deksel (C) te ontgrendelen.
2. Druk de lipjes in (B, afbeelding 15) en verwijder het deksel (C).
3. Verwijder het filter (D, afbeelding 15).
4. Tik het filter (D, afbeelding 15) zachtjes op een hard oppervlak om het vuil los te maken. Als het filter vuil is, vervangt u het door een nieuw filter.
5. Installeer het filter (D, afbeelding 15).
6. Installeer het deksel (C, afbeelding 15). Verplaats de vergrendeling (A) naar de vergrendelstand.

OPMERKING: Controleer de pasvorm van de schuimafdichting (E, afbeelding 15). Zorg ervoor dat de perimeter-schuimafdichting correct in het kanaal (F) zit.

Onderhoud aan het brandstofsysteem



WAARSCHUWING

Brandstof en brandstofdampen zijn ontvlambaar en explosief. Brand of explosies kunnen brandwonden of de dood tot gevolg hebben.

- Houd brandstof uit de buurt van vonken, open vuur, waakvlammen, hitte en andere ontstekingsbronnen.
- Controleer regelmatig de brandstofleidingen, brandstoftank, brandstofvuldop en aansluitingen op scheuren of lekkages. Vervang beschadigde onderdelen.
- Indien brandstof wordt gemorst, wacht tot deze verdampt is voordat u de motor start.

Brandstoffilter, indien geïnstalleerd

1. Wanneer u het brandstoffilter (A, afbeelding 16) vervangt, moet u eerst de brandstoftank aftappen of de brandstofafsluitklep sluiten. Als de brandstoftank niet wordt afgetapt, kan brandstoflekkage optreden en brand of een explosie veroorzaken.
2. Druk de lipjes (B, afbeelding 16) op de klemmen (C) samen met een tang. Beweeg de klemmen daarna weg van het brandstoffilter (A).
3. Draai en trek de brandstofleidingen (D, afbeelding 16) van het brandstoffilter af.
4. Controleer de brandstofleidingen (D, afbeelding 16) op barsten of lekkage. Vervang indien noodzakelijk de brandstofleidingen.
5. Vervang het brandstoffilter (A, afbeelding 16).
6. Bevestig de brandstofleidingen (D, afbeelding 16) met klemmen (C).

Brandstofzeef, indien geïnstalleerd

1. Verwijder de brandstofdop (A, afbeelding 17).
2. Verwijder de brandstofzeef (B, afbeelding 17).
3. Reinig of vervang de brandstofzeef wanneer deze vuil is. Vervang een brandstofzeef altijd door een origineel vervangingsonderdeel.

Opslag

Brandstofsysteem

Raadpleeg afbeelding: 18.

WAARSCHUWING



Brandstof en brandstofdampen zijn ontvlambaar en explosief. Brand of explosies kunnen brandwonden of de dood tot gevolg hebben.

Brandstofopslag

- Omdat waakvlammen of andere ontstekingsbronnen explosies kunnen veroorzaken, moet u brandstof of de machine uit de buurt houden van ovens, kachels, boilers of andere apparaten met waakvlammen.

Hou de motor waterpas op de juiste bedrijfsstand. Vul de brandstoftank (A, afbeelding 18) met brandstof. Vul de brandstoftank niet tot boven de onderkant van de vulhals (B) omdat de brandstof uitzet.

Brandstof kan verschalen wanneer deze langer dan 30 dagen in een jerrycan wordt bewaard. Een alcoholvrije brandstofstabilisator en ethanolbehandeling in de jerrycan worden aanbevolen. Zo blijft de brandstof vers en is er minder kans op brandstofgerelateerde problemen of vervuiling in het brandstofsysteem.

Wanneer u de jerrycan met brandstof vult, voegt u een alcoholvrije brandstofstabilisator toe zoals gespecificeerd in de instructies. Als de benzine in de motor niet is behandeld met een brandstofstabilisator, moet deze worden afgetapt in een goedgekeurde container. Laat de motor draaien totdat de brandstof op is.

Motorolie

Ververs de motorolie als de motor nog warm is. Raadpleeg het gedeelte **Motorolie verversen**.

Problemen oplossen

Assistance

Als u hulp nodig hebt, neem dan contact op met uw dealer of ga naar BRIGGSandSTRATTON.COM of bel 1-800-444-7774 (in de USA).

Specificaties en serviceonderdelen

Model: 25E300	
Cilinderinhoud	24.898 ci (408 cc)
Boring	3.465 in (88 mm)
Slag	2.638 in (67 mm)
Oliecapaciteit	28-32 oz (.82 - .95 L)
Elektrodeafstand van bougie	.030 in (.76 mm)
Aanhaalkoppel bougie	170 lb-in (19,2 Nm)
Luchtspriet snelheidssensor	.010 - .015 in (.254 - .381 mm)
Inlaatklepopening	.004 - .006 in (.10 - .15 mm)
Uitlaatklepopening	.006 - .008 in (.15 - .20 mm)

Het motorvermogen neemt met 3,5% af voor elke 300 meter boven zeeniveau en 1% voor elke 10 °F (5,6 °C) boven 77 °F (25 °C). De motor werkt goed tot een hellingshoek van 30°. Raadpleeg de gebruikershandleiding van de machine voor de maximaal toegestane veilige hellingshoeken.

Serviceonderdelen

Om Briggs & Stratton-serviceonderdelen te kopen, zoekt u een erkende servicedealer op BRIGGSandSTRATTON.COM. U hebt uw identificatienummer nodig (model - type - uitvoering). Raadpleeg het hoofdstuk **Funcies en bedieningselementen** om het identificatienummer van uw motor te vinden.

Nominaal vermogen

Vermogenklasseringen: de brutovermogenklassering voor afzonderlijke benzinemotormodellen is ingedeeld conform SAE (Society of Automotive Engineers)-code J1940 Vermogens en torsieklasseringsprocedure voor kleine motoren, en is geklasseerd conform SAE J1995. Koppelwaarden zijn afgeleid bij 2600 TPM voor de motoren met een "rpm" (TPM) aangegeven op het plaatje en 3060 TPM voor alle andere. Paardenkrachtwaarden zijn afgeleid bij 3600 TPM. De brutovermogenscurves staan op www.BRIGGSandSTRATTON.COM. Nettovermogenswaarden worden bepaald met geïnstalleerde uitlaat en luchtfilter, terwijl brutovermogenswaarden worden verzameld zonder deze hulpstukken. Het werkelijke brutomotorvermogen zal hoger zijn dan het nettomotorvermogen en wordt beïnvloed door, onder andere, omgevingsomstandigheden en variaties tussen motoren. Gezien de vele verschillende producten waarop onze motoren worden aangebracht, zal de benzinemotor mogelijk niet zijn nominale brutovermogen ontwikkelen als deze wordt gebruikt in een door

een motor aangedreven machine. Dit verschil wordt veroorzaakt door diverse factoren waaronder, maar niet uitsluitend, de verscheidenheid aan motoronderdelen (luchtfilter, uitlaat, turbo, koeling, carburateur, brandstofpomp enz.), toepassingsbeperkingen, omgevingsomstandigheden (temperatuur, vochtigheid, hoogte) en verschillen tussen motoren. Vanwege fabricage- en capaciteitsbeperkingen kan Briggs & Stratton een motor met een hoger nominaal vermogen vervangen door deze motor.

Garantie

Garantie op de motor van Briggs & Stratton®

Met ingang van augustus 2022

Beperkte garantie

Briggs & Stratton garandeert dat, gedurende de hieronder vermelde garantietermijn, het, naar eigen goeddunken van Briggs & Stratton, elk onderdeel dat defect is in materiaal, of vakmanschap of beide, kosteloos gerepareert of vervangt door een nieuw, gereviseerd of opnieuw vervaardigd onderdeel. Transportkosten voor producten die onder deze garantie voor reparatie of vervanging worden aangeboden, zijn voor rekening van de koper. Deze garantie is geldig voor- en onderhavig aan de onderstaande periodes en voorwaarden. Voor garantieservice zoekt u de dichtstbijzijnde erkende servicedealer op onze dealerlocatiekaart op BRIGGSandSTRATTON.COM. De koper moet contact opnemen met de erkende servicedealer en het product beschikbaar stellen aan de erkende servicedealer voor inspectie en testen.

Er is geen andere uitdrukkelijke garantie. Impliciete garanties, inclusief voor verkoopbaarheid en geschiktheid voor een bepaald doel, zijn beperkt tot één jaar na aankoop of in de wettelijke toegestane mate. Alle andere impliciete garanties zijn uitgesloten. Aansprakelijkheid voor incidentele of gevolgschade wordt uitgesloten voor zover dit wettelijk toegestaan is. Sommige staten of landen staan geen beperkingen toe over de periode waarin een impliciete garantie geldig is, en sommige staten of landen staan geen uitsluiting of beperking van incidentele of gevolgschade toe, zodat de bovenstaande beperkingen en uitsluitingen mogelijk niet op u van toepassing zijn. Deze garantie geeft u bepaalde specifieke wettelijke rechten en u kunt mogelijk andere rechten hebben die van rechtsgebied tot rechtsgebied variëren.

Standaardvoorwaarden voor de garantie^{1, 2}

Vanguard®; Commerciële serie
Voor particuliere doeleinden - 36 maanden
Voor commerciële doeleinden - 36 maanden
XR-serie
Voor particuliere doeleinden - 24 maanden
Voor commerciële doeleinden - 24 maanden
Alle overige motoren, waaronder de Dura-Bore™ Gietijzeren Voering
Voor particuliere doeleinden - 24 maanden
Voor commerciële doeleinden - 12 maanden
Alle overige motoren
Voor particuliere doeleinden - 24 maanden
Voor commerciële doeleinden - 3 maanden

¹ Dit zijn onze standaardvoorwaarden voor garantie, maar er kunnen aanvullende garantiestedkingen zijn die op het moment van publicatie nog niet waren bepaald. Ga voor alle actuele garantietermijnen voor uw motor naar BRIGGSandSTRATTON.COM of neem contact op met uw erkende servicedealer van Briggs & Stratton.

² Er wordt geen garantie verleend op motoren op de machines die worden gebruikt voor primair vermogen in plaats van een hulpmotor of als stand-bygenerator voor commerciële doeleinden, utiliteitsvoertuigen die harder gaan dan 40 km/u of motoren die in racewedstrijden worden gebruikt of in commerciële of verhuurtrajecten. mph

* In Australië - onze artikelen worden geleverd met garanties die onder de Australische consumentenwetgeving niet kunnen worden uitgesloten. U hebt recht op vervanging of terugbetaling voor een zware fout en voor vergoeding van enige andere redelijkerwijs te verwachten vorm van verlies of schade. U hebt ook het recht om de goederen te laten repareren of vervangen als de goederen niet van een acceptabele kwaliteit zijn en de storing niet tot een ernstige fout leidt. Zoek voor garantieservice de dichtstbijzijnde erkende servicedealer op met onze dealerlocatiekaart op BRIGGSandSTRATTON.COM, of bel 1300 274 447, of mail of schrijf naar salesenquires@briggsandstratton.com.au, Briggs & Stratton Australia Pty Ltd, 1 Moorebank Avenue, Moorebank, NSW, Australië, 2170.

De garantietermijn begint te lopen vanaf de datum van aankoop door de eerste kleinhandelsgebruiker of commerciële gebruiker en is geldig gedurende de tijdsperiode vermeld in de tabel hierboven. "Voor particuliere doeleinden" betekent persoonlijk, huishoudelijk gebruik door een particuliere consument. "Voor commerciële doeleinden" betekent elk ander gebruik, inclusief gebruik voor commerciële, inkomensvormende of verhuurdoeleinden. Als een motor eenmaal commerciële doeleinden is, dan zal deze daarna voor deze garantie als commerciële doeleinden worden beschouwd.

Er is geen garantieregistratie vereist om een garantie op Briggs & Stratton-producten te krijgen. Bewaar uw aankoopbewijs. Als u geen bewijs van de oorspronkelijke aankoopdatum verstrekt op het moment dat u een beroep op de garantieservice doet, wordt de productiedatum van het product gebruikt om de garantieperiode te bepalen.

Over uw garantie

Deze garantie dekt uitsluitend aan de motor gerelateerde defecte materialen en/of bewerkingen, en niet vervanging of vergoeding van de machine waarop de motor gemonteerd kan zijn. Routineonderhoud, afstellingen, aanpassingen of normale slijtage vallen niet onder deze garantie. De garantie is ook niet van toepassing als de machine is gewijzigd of aangepast, of als het serienummer van de motor is beschadigd of verwijderd. Deze garantie geldt niet voor schade aan de motor of prestatieproblemen door:

1. Het gebruik van niet-originele Briggs & Stratton-onderdelen;
2. Het laten draaien van de motor met onvoldoende, vervuilde of de onjuiste soort smeerolie;
3. Het gebruik van vervuilde of niet-verse brandstof, benzine verrijkt met meer dan 10% ethanol of het gebruik van alternatieve brandstoffen zoals vloeibare petroleum of aardgas bij motoren die oorspronkelijk niet zijn ontwikkeld/ gefabriceerd door Briggs & Stratton om op dergelijke brandstoffen te draaien;
4. Vuil dat in de motor terecht is gekomen vanwege een onjuist onderhoud of een onjuiste hermontage van de luchtfilter;
5. Het raken van een object met een snijblad van een roterende grasmaaier, losjes of onjuist geïnstalleerde bladtussenstukken, waaiers of andere aan de krukas gekoppelde onderdelen, of excessieve strakheid van de v-snaar;
6. Bijbehorende onderdelen en eenheden zoals koppelingen, aandrijvingen en afstandsbedieningen van apparatuur die niet door Briggs & Stratton zijn geleverd;
7. Oververhitting als gevolg van grasmaaisel, vuil en rommel of nesten van knaagdieren die de koelvinnen of het vliegwielgebied verstoppen of erin zitten, of door de motor te laten draaien zonder voldoende ventilatie;
8. Excessieve trillingen als gevolg van een te hoge snelheid, een te losjes gemonteerde motor, losse of niet-uitgebalanceerde snijbladen of waaiers of onjuiste koppeling van onderdelen van de apparatuur aan de krukas;
9. Verkeerd gebruik, gebrek aan routineonderhoud, verzending, omgang met of opslag van apparatuur, of onjuiste installatie van de motor.

De garantieservice is uitsluitend beschikbaar via erkende servicedealers van Briggs & Stratton. U vindt uw dichtstbijzijnde erkende servicedealer in onze "dealerlocatie"-kaart op BRIGGSandSTRATTON.COM of door te bellen naar 1-800-444-7774 (in de USA).

80114782 (Revisie A)

Generell informasjon



Denne manualen inneholder sikkerhetsinformasjon om farene og risikoene relatert til motoren og hvordan de kan forebygges. Den inneholder også anvisninger for korrekt drift og vedlikehold av maskinen. Det er viktig at du leser, forstår og følger disse instruksene. **Ta vare denne brukerveiledningen for fremtidig bruk.**

MERK: Tallene og illustrasjonene i denne håndboken er kun oppgitt som referanse og kan avvike fra din modell. Bruk de figurene som passer for din motorkonfigurering. Om nødvendig, snakk med en autorisert serviceforhandler.

For reservedeler eller teknisk assistanse, noter kjøpsdato, motorens modell, type, trim og serienummer. Du finner disse numrene på motoren. Se avsnittet **Funksjoner og kontroller**.

Kjøpsdato	
Modell - Type - Trim	
Motorens serienummer	

Kontaktinformasjon for Europa-kontoret

For spørsmål vedrørende utslipp i Europa, kontakter du vårt Europa-kontor på:

Max-Born-Straße 2, 68519 Viernheim, Tyskland.

Den europeiske union (EU) stadium V (5): Karbondioksidverdier (CO2)

Skriv CO2 i søkefeltet i BriggsandStratton.com for å finne karbondioksidverdiene i Briggs & Strattons motorer med sertifikat for EU-typegodkjenning.

Operatørens sikkerhet

Advarselssymbol og signalord



Symbolet for sikkerhetsadvarsel identifiserer sikkerhetsinformasjon angående farer som kan medføre personskade. Et signalord (**DANGER**, **ADVARSEL** eller **FORSIKTIG**) brukes for å indikere sannsynligheten for og den potensielle alvorlighetsgraden ved skade. Dessuten vil brukes et faresymbol for å representere hvilken type fare det er snakk om.

DANGER (fare) indikerer en fare som, dersom den ikke unngås, vil føre til død eller alvorlig skade.

ADVARSEL indikerer en fare som, dersom den ikke unngås, kan det føre til død eller alvorlig skade.

FORSIKTIG indikerer en fare som, dersom den ikke unngås, kan det føre til en mindre eller moderat skade.

OBS indikerer informasjon som anses som viktig, men ikke farerelatert.

Faresymboler og betydningen av disse

Informasjon om sikkerhet som gjelder farer som vil kunne føre til personskader.	Les og forstå brukerhåndboken før du bruker eller vedlikeholder enheten.
Brannfare	Eksplosjonsfare
Fare for støt	Fare for giftig gass
Fare for varme overflater	Fare for rekyl (tilbakeslag)
Fare for amputasjon – bevegelige deler	Drivstoffnivå – maksimum Ikke overfyll

Sikkerhetsmeldinger



ADVARSEL

Briggs & Stratton® motorene er ikke konstruert til å drive følgende kjøretøy og må heller ikke brukes til disse: rallykarter, gokarter, lekekjøretøy for barn, fritidskjøretøy eller terrengkjøretøy (ATV), motorsykler, hoverbåter, flyprodukter eller kjøretøy som brukes i konkurranser som ikke er godkjent av Briggs & Stratton. For informasjon om produkter til konkurransekjøring, se www.briggsracing.com. For bruk på nyttekjøretøy og ATV-er med to seter ved siden av hverandre (side-by-side), vennligst ta kontakt med Briggs & Stratton Power Application Center, 1-866-927-3349. Feil bruk av motoren kan forårsake alvorlige skader eller død.

Opplysninger om gjenvinning

		Kartonger, esker, brukte batterier og olje skal resirkuleres i henhold til nasjonale lover.
--	--	---

Funksjoner og kontroller

Motorkontroller

Sammenlign callout-bokstavene i figurene 1, 2 og 3 med motorkontrollene ¹ i den følgende listen:

- A. Motoridentifikasjonsnumre **Modell – Type – Trim**
- B. Drivstofftank og -lokk
- C. Luftfilter, høy montering
- D. Luftfilter, lav montering
- E. Startsnor-håndtak
- F. Oljepeilepinne, øvre
- G. Oljepeilepinne, nedre (hvis installert)
- H. Oljepåfylling
- I. Tappeplugg for olje
- J. Lyddemper, lyddempervern (hvis montert), gnistfanger (hvis montert)
- K. Elektronisk gasskontroll (hvis installert)
- L. Sjekk motor-lys (hvis installert)
- M. Blåserdeksel
- N. Nøkkelpbryter (hvis installert)

¹ Noen motorer og noe utstyr har fjernkontroller. Slå opp maskinens håndbok for plassering og bruk av fjernkontroller.

Symboler for motorkontroller og deres betydning

Motorhastighet – HURTIG	Motorhastighet – SAKTE
Motor – STOPP	Motor – START
Motor – PÅ	

Drift



ADVARSEL

Damp fra drivstoff er brann- og sprengfarlig. Brann eller eksplosjon kan medføre brannskader eller dødsfall.

Hvis du lukter gass

- Ikke start motoren.
- Ikke trykk på elektriske brytere.
- Ikke bruk telefoner i nærheten.
- Evakuer området.
- Kontakt brannvesenet.

Når du opererer utstyret

- Motoren eller utstyret må ikke plasseres i en vinkel som gjør at drivstoff kan renne ut.

Når du flytter utstyret til et annet sted

- Sørg for at drivstofftanken er TOM eller at drivstoffets stengeventil står i LUKKET posisjon.

Sjekk oljenivået

Før du sjekker eller fyller på olje

- Sørg for at motoren står vannrett.
- Rengjør uønsket materiale fra oljefylleområdet.
- Slå opp avsnittet **Spesifikasjoner** for informasjon om oljekapasitet.

OBS

Denne motoren ble sendt fra Briggs & Stratton uten olje. Utstyrproduzentene eller forhandlerne kan ha fylt olje på motoren. Sørg for at det er fylt på tilstrekkelig olje før du starter motoren for første gang. Olje fylles på i henhold til håndbokens instruksjoner. Motoren ødelegges hvis den startes uten olje, og dekkes i så fall ikke garantien.

1. Ta ut peilepinnen (A, B, C, Figur 4). Bruk en klut til å fjerne olje fra peilepinnen (A, B, C).
2. Sett inn peilepinnen (A, B, C, Figur 4).
 - a. Lavmontert peilepinne, om installert, (B, Figur 4): Pass på at oljefyllemerkene på peilepinnen (B) peker mot toppen av motoren.
 - b. Kort peilepinne eller peilepinnpåfyllingsplugg, om installert (C, Figur 4): Vri og stram til peilepinnen (C).
3. Ta ut peilepinnen (A, B, C, Figur 4).
4. Sjekk oljenivået. Forsikre deg om at oljenivået er på toppen av full-indikatoren (D, Figur 4).
5. Hvis oljenivået er lavt, fyller oljen sakte i motoroljepåfyllingene (E, F, Figur 5). Tilfør ikke for mye olje.
6. Vent ett minutt og sjekk oljenivået på nytt. Kontroller oljenivået.
7. Sett inn peilepinnen (A, B, C, Figur 4).

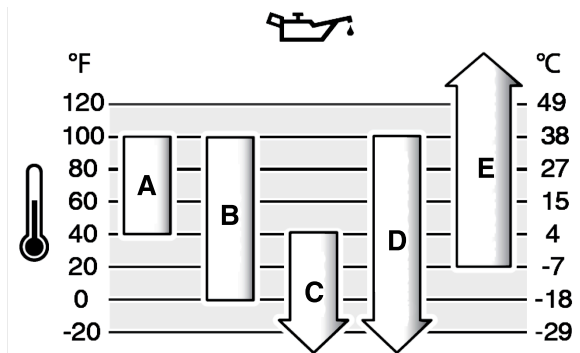
Anbefalinger når det gjelder olje

Oljekapasitet: Se avsnittet **Spesifikasjoner**.

Vi anbefaler å bruke Briggs & Stratton® garantisertifiserte oljer for optimal ytelse. Andre høykvalitets renseloljer er tillatt hvis de er klassifisert for service – SF, SG, SH, SJ eller høyere. Ikke bruk spesielle tilsetningsstoffer.

Benytt tabellen for å velge optimal viskositet for den utendørstemperaturen som forventes. Motorer på de fleste utendørsutstyr opererer med 5W-30 syntetisk olje.

Vanguard® 15W-50 syntetisk olje gir den beste beskyttelsen for utstyr som brukes under varme forhold.



A SAE 30 – Under 40 °F (4 °C) vil bruk av SAE 30 resultere i vanskelig start.

B	10W-30 – Over 80 °F (27 °C) vil bruk av 10W-30 kunne forårsake økt oljeforbruk. Sjekk oljenivået regelmessig.
C	5W-30
D	Syntetisk 5W-30
E	Vanguard® Syntetisk 15W-50

Beskyttelsessystem for lav olje (hvis montert)

Noen motorer følger med en sensor som registrerer når oljenivået minsker. Hvis oljenivået er lavt, vil sensoren vise en varselampe eller stanse motoren. Stopp motoren og utfør følgende trinn før du starter motoren.

- Sørg for at motoren står vannrett.
- Sjekk oljen. Slå opp avsnittet **Sjekk oljenivået**.
- Hvis oljenivået er lavt, fyll på riktig mengde olje. Start motoren og sjekk at varselampen (hvis montert) ikke kommer på.
- Ikke start motoren hvis oljenivået er for lavt. Ta kontakt med en Briggs & Stratton- autorisert serviceforhandler for å få oljeproblemet reparert.

Anbefalinger ang. drivstoff

Drivstoff må oppfylle disse kravene:

- Ren, ny, blyfri bensin.
- Minimum 87 oktan/87 AKI (91 RON). Ang. bruk i store høyder, se nedenfor.
- Bensin med opptil 10 % etanol (gasohol) er tillatt.

OBS

Bruk ikke bensin som ikke er godkjent, slik som E15 og E85. Ikke bland olje i bensinen eller foreta modifikasjoner i motoren til bruk av alternativt drivstoff. Bruk av ikke-godkjent drivstoff kan medføre skade på komponenter i motoren, noe som ikke vil bli dekket av garantien.

Bland en alkoholfri drivstoffstabilisator og etanolbehandling i drivstoffet for å beskytte drivstoffsystemet mot gummidannelse og korrosjon. Slå opp avsnittet **Oppbevaring**. Alt drivstoff er ikke det samme. Hvis start- eller ytelsesproblemer oppstår, bytt drivstoffleverandører eller merker. Denne motoren er sertifisert for bruk med bensin. Utslippskontrollsystemet for forgassede motorer er EM (modifiseringer av motoren). Utslippskontrollsystemene for motorer med elektronisk drivstoffinjeksjon er ECM (modul for motor kontroll), MFI (multipointinsprøyting for drivstoff), TBI («Throttle Body»-drivstoffinnsprøyting) og hvis utstyrt, en O2S (oksygensensor).

Stør høyde over havet

I høyder på over 5000 fot (1524 meter) er det tillatt å bruke minimum 85-oktans/85 AKI (89 RON) bensin.

For motorer med forgassere er justering for bruk i store høyder nødvendig for å kunne utføre vedlikehold. Drift uten denne justeringen vil føre til redusert ytelse, økt drivstofforbruk og økte utslipp. Ta kontakt med et Briggs & Stratton- autorisert forhandlerverksted for informasjon vedr. justering for bruk i store høyder. Bruk av motoren på høyder under 2500 fot (762 meter) med settet for store høyder er ikke anbefalt.

Det er ikke nødvendig å justere motorer med elektronisk drivstoffinnsprøyting (EFI) for bruk i store høyder over havet.

Tilfør drivstoff



ADVARSEL

Drivstoff og drivstoffdamp er antennelig og sprengfarlig. Brann eller eksplosjon kan medføre brannskader eller dødsfall.

Når du tilsetter drivstoff

- Stoppe motoren. Vent minst to (2) minutter og sørg for at motoren er kald før du løsner bensinlokket.
- Drivstofftanken må fylles utendørs eller på en plass med god ventilasjon.
- Drivstofftanken må ikke overfylles. For å gi drivstoff ekspansjonsrom, ikke fyll på mer enn til nederst i drivstofftankhalsen.
- Hold drivstoff unna gnister, åpne flammer, tennflammer, varme og andre tennekilder.
- Drivstoffslanger, drivstofftanken, bensinlokket og koblinger skal kontrolleres regelmessig for å se om det har kommet sprekker eller lekkasjer. Bytt skadede deler.
- Hvis du har sølt drivstoff, må du vente til tørker før du starter opp motoren.

1. Rengjør flatene omkring tanklokket for smuss og rusk. Ta av drivstofflokket
2. Fyll drivstofftanken (A, Figur 6) med drivstoff. Gi drivstoffet plass til å utvide seg og ikke fyll til over bunnen av drivstofftankhalsen (B).
3. Sett på bensinlokket.

Start motoren



ADVARSEL

FARE FOR GIFTIG GASS. Eksosen fra motoren inneholder karbonmonoksid (kullos), en giftig gass som kan ta livet av deg i løpet av få minutter. Du kan utsettes for farlig karbonmonoksidgass selv når du ikke lukker det. Trekk frisk luft UMIDDELBART dersom du føler deg kvalm, svimmel eller svak mens du bruker dette produktet. Oppsøk lege. Det er mulig du er forgiftet av karbonmonoksid (kullos).

- Karbonmonoksidgass kan hope opp på bebodde steder. Produktet må brukes utendørs, og langt unna vinduer, dører og ventilert for å redusere risiko forbundet med karbonmonoksidgass.
- Monter batteridrevne karbonmonoksid-alarmer eller kompatible («plug-in») karbonmonoksid-alarmer med reservebatteri, som beskrevet under produsentens instruksjer. Røykvarslerer registrerer ikke karbonmonoksid gass.
- IKKE kjør dette produktet inne i hus, garasjer, kjellere, boder, eller andre lukkede rom, selv om du bruker vifter eller åpner dører og vinduer for å ventilere. Produktets drift produserer karbonmonoksidgass som raskt kan hope seg opp på slike steder hvor den varer i flere timer.
- Produktet må ALLTID settes slik at det står i medvind og sørg for at eksosen ledes bort fra bebodde områder.



ADVARSEL

Drivstoff og drivstoffdamp er antennelig og sprengfarlig. Brann eller eksplosjon kan medføre brannskader eller dødsfall.

Når du starter motoren

- Kontroller at tennpluggen, lyd-potten, lokket til drivstofftanken og luftfilteret (hvis utstyrt) er montert riktig.
- Ikke forsøk å starte motoren med fjernet tennplugg.
- Flytt choken (hvis montert) mot posisjonen ÅPEN eller KJØR hvis motoren har druknet. Flytt gashendelen (hvis montert) til posisjon HURTIG og dra til motoren starter.
- Ikke start motoren dersom det lekker natur- eller LP-gass i området.
- Bruk ikke startvæsker under trykk, da dampen er antennelig.



ADVARSEL

Roterende deler kan vikle seg rundt hender, føtter, hår, klær, smykker, belter osv. Dette kan resultere i traumatisk amputasjon eller lignende.

- Kjør utstyret med vernet hensiktsmessig montert.
- Hold hender og føtter borte fra roterende deler.
- Fjern smykker og sørg for at langt hår ikke kan komme i kontakt med roterende deler.
- Ikke gå med løstsittende klær eller artikler som kan hekte seg fast.



ADVARSEL

Hurtig tilbakespoling av startsnoren (tilbakeslag) trekker hånden og armen raskere mot motoren enn du klarer å slippe taket. Dette kan resultere i beinbrudd, brister, blåmerker eller forstuvninger.

- For å hindre tilbakeslag når du starter motoren, trekk startsnoren sakte til du begynner å kjenne motstand før du trekker raskt.
- Koble fra og fjern alt påmontert utstyr og motorbelastning før motoren startes.
- Sørg for at maskinkomponenter som er montert direkte – slik som, men ikke begrenset til, kniver, viftehjul, remskiver og kjedehjul – er festet riktig.

MERK: Utstyret ditt kan ha fjernkontroller. Slå opp maskinens håndbok for plassering og bruk av fjernkontroller.

Elektrisk start

1. Sjekk oljenivået. Referer til avsnittet **Sjekk oljenivået**.
2. Koble fra utstyrsdriftskontrollene, hvis installert.
3. Sett drivstoffkranen, hvis installert, til posisjonen ÅPEN.
4. Vri nøkkelbryteren (A, Figur 7) til posisjonen START.

OBS Når du slipper nøkkelbryteren (A, Figur 7), vil nøkkelen flytte til PÅ-posisjonen. Motoren vil fortsette å sveive med mindre motoren starter. For å avslutte sveivsekvensen, vri nøkkelbryteren (A) til AV-posisjonen. Om motoren ikke starter, følg stegene under.

5. Pass på at nøkkelbryteren (A, Figur 7) er satt i AV-posisjon. Vent i to sekunder.
6. Vri nøkkelbryteren (A, Figur 7) til posisjonen START.

7. Dersom motoren ikke starter, avbryt veivsekvensene og snakk med en Autorisert serviceforhandler for Briggs & Stratton.

Snorstart

OBS Elektrisk start er den anbefalte måten å starte motoren på.

1. Sjekk oljenivået i motoren. Referer til avsnittet **Sjekk oljenivået**.
2. Koble fra utstyrsdriftskontrollene, hvis installert.
3. Sørg for at motoren er koblet til et ladet 12-voltsbatteri.
4. Sett drivstoffkranen, hvis installert, til posisjonen ÅPEN.
5. Sett tenningen (A, Figur 8) i PÅ-posisjon. Trekk deretter i startsnorhåndtaket (B).

Stopp motoren

1. Vri nøkkelbryteren (A, Figur 7) i stillingen OFF (av).
2. Ta ut nøkkelen. Oppbevar den på et sikkert sted borte fra barn.
3. Still drivstoffkranen, hvis installert, til posisjonen STENGT etter at motoren har stanset.

Sjekk motor-lys

Sjekk motor-lyset (B, Figur 7) viser at det er et problem med motoren. Hvis sjekk motor-lyset er PÅ når motoren kjører, må du kontakte en Briggs & Stratton- autorisert serviceforhandler for å rette opp i problemet snarest mulig (eventuelt når arbeidet er fullført). Gjør følgende hvis sjekk motor-lyset er PÅ og motoren stanset av seg selv:

1. Sørg for at motoren står vannrett.
2. Sjekk oljen. Slå opp avsnittet **Sjekk oljenivået**.
3. Start motoren. Referer til seksjonen **Starte opp motor**.
4. Hvis sjekk motor-lyset fortsetter å lyse og motoren fortsatt stanser av seg selv, gjør du følgende. Ta umiddelbart kontakt med en Briggs & Stratton- autorisert serviceforhandler for å rette opp problemet.

Vedlikehold

Vedlikeholdsinformasjon



ADVARSEL

Drivstoff og drivstoffdamp er antennelig og sprengfarlig. Brann eller eksplosjon kan medføre brannskader eller dødsfall.

Hvis du må vippe apparatet under vedlikeholdsarbeid, sørg for at drivstofftanken (hvis montert) er tom og at tennpluggsiden er vendt opp. Det kan oppstå lekkasje som kan forårsake brann eller eksplosjon hvis ikke drivstofftanken er tom. Motoren vil ikke være lett å starte hvis den vippes i en annen retning, fordi luftfilteret eller tennpluggen blir kontaminert av olje eller drivstoff.



ADVARSEL

Uheldige/utslitskadede gnister fra motoren kan forårsake elektriske støt eller brann, samt infiltring, traumatisk amputasjon eller sønderriving.

Før du justerer eller reparerer:

- Ta av tennpluggkablene og hold dem borte fra tennpluggene.
- Koble batteriledningen fra den negative batteriterminalen (kun motorer med elektrisk start).
- Bruk kun riktige verktøy.

Når du skal kontrollere gnist:

- Bruk en godkjent tennpluggtester.
- Ikke se etter gnist med tennpluggen fjernet.



ADVARSEL

Reservedeler må alltid være av samme type og monteres i samme posisjon som originaldelene. Andre deler kan utsettes for eller medføre skader.

OBS

Alle komponenter som er brukt i denne motoren må være montert for at den skal fungere riktig.

Vi anbefaler at du tar kontakt med en Briggs & Stratton- autorisert serviceforhandler for å få utført alt vedlikeholdsarbeid og service av motoren og motordelene.

Utslippskontrollservice

For vedlikehold, utskifting eller reparasjon av utslippskontrollenheter og -systemer, ta kontakt med et kvalifisert motorreparasjonsfirma eller mekaniker. Men for «gratis» utslippskontroll-service, må arbeidet utføres av en fabrikkautorisert forhandler. Slå opp erklæringene som gjelder avgasskontroll.

Vedlikeholdsplan

De første 5 timene
<ul style="list-style-type: none">• Skifte oljen.
Intervaller på 8 timer eller daglig
<ul style="list-style-type: none">• Sjekk oljenivået i motoren.• Rengjør området rundt lydemperen.• Rengjør luftinntaksgitteret
Intervaller på 100 timer eller årlig
<ul style="list-style-type: none">• Service av eksossystemet.
Intervaller på 200 timer eller årlig
<ul style="list-style-type: none">• Skift motoroljen.• Rengjør luftfilteret¹.
Intervaller på 600 timer eller 2 år
<ul style="list-style-type: none">• Skift luftfilteret.• Bytt ut drivstoffilteret¹
årlig
<ul style="list-style-type: none">• Skift ut tennpluggen.• Utfør vedlikehold på drivstoffsystemet.• Utfør vedlikehold på kjølesystemet¹.• Kontroller ventilklareringen².

¹Rengjør oftere i støvete forhold eller når det er mange partikler i luften.

² Ikke nødvendig med mindre det oppstår motorproblemer.

Elektronisk drivstoffinnstrøytningssystem (EFI)

EFI-systemet overvåker motortemperatur, motorhastighet og batterispenning for motoroppstart og oppvarming. Det finnes ingen justeringer på systemet. Hvis det forekommer start- eller driftsproblemer, ta kontakt med en autorisert serviceforhandler for Briggs & Stratton.

OBS Se til at du følger trinnene nedenfor, ellers kan EFI-systemet bli skadet.

- Start ALDRI motoren hvis batterikablene er løse.
- Drei nøkkelen i AV-stilling før du kobler fra, fjerner og/eller installerer batteriet.
- Bruk ALDRI en batterilader til å starte motoren.
- Koble ALDRI fra batterikablene mens motoren går.
- Når du kobler til batterikablene, koble først til den positive (+) kabelen og koble deretter til den negative (-) kabelen til batteriet.
- Ved lading av batteriet, vri tenningsbryteren i AV-stilling og ta den negative (-) batterikabelen av batteriet.
- Ikke sprut vann direkte på den elektroniske kontrollmodulen.

Service av tennplugger

Sjekk elektrodeavstanden på tennpluggen (A, Figur 9) med en trådlære (B). Om nødvendig stiller du inn avstanden til tennpluggen. Installer og stram tennpluggen til det riktige dreiemomentet. Referer til seksjonen **Spesifikasjoner** for informasjon om avstand- og dreiemoment-spesifikasjoner.

For å få tilgang til tennpluggen, sørg for at motoren er satt i posisjonen AV. Koble fra tennpluggledningen (D, Figur 10) og hold den på avstand fra tennpluggen (E).

På EFI-ETC-modeller må du fjerne varmeskjoldet for å få tilgang til tennpluggen. Følg trinnene under for å komme til tennpluggen.

1. Lås opp den røde tappen (A, Figur 11) fra tilkoblingen (B)
2. Skyv den svarte tappen (C, Figur 11) mens du trekker tilkoblingen (B) ut av tenningscoilen (D).
3. Fjern avfallsventilen (E, Figur 11).
4. Fjern toppskruen (F, Figur 11) og sideskruen (G) fra støtten (H).
5. Fjern varmeskjoldet (H, Figur 11).
6. Fjern tenningscoilen (D, Figur 11).
7. Bytt ut tennpluggen (I, Figur 12).
8. Installer tenningscoilen (D, Figur 11).
9. Installer støtten (H, Figur 11).
10. Sett inn toppskruen (F, Figur 11) og sideskruen (G) i støtten (H).

11. Installer avfallsventilen (E, Figur 11).
12. Installer tilkoblingen (B, Figur 11) i tenningscoilen (D).
13. Lås den røde tappen (A, Figur 11).

Service av eksos- og kjølesystemene



ADVARSEL Motoren og lyd-potten hetes opp under drift. Berøring av oppvarmet motor kan forårsake brannskader.

Lettantennelige materialer som blader, gress og kratt kan ta fyr.

- Stans motoren og vent to (2) minutter før du rører motoren eller eksospotten. Sørg for at motoren og eksospotten trygt kan berøres.
- Fjern smuss fra eksospotten og motoren.

Det er et brudd på California Public Resource Code, § 4442, å bruke eller ha motoren i gang på et skogkledd, kratt-dekket, eller gresskledd stykke land med mindre eksossystemet er utstyrt med en gnistfanger som er holdt i fullgod stand, slik som definert i § 4442. Andre delstater eller føderale jurisdiksjoner kan ha tilsvarende lover. Se Federal Regulation 36 CFR del 261.52. Kontakte den opprinnelige utstyrsprodusenten, detaljisten eller forhandleren for å få en gnistfanger satt på det eksosanlegget som er installert på denne motoren.

Dette er en luftkjølt motor. Skitt eller uønskede materialer kan hindre luftflyt og få motoren til å bli for varm. Dette kan gi lavere ytelse og forkorte levetiden til motoren. Sylinderens kjølefinner kan samle uønsket materiale som ikke kan fjernes uten delvis demontering av maskinen. Pass på at en autorisert serviceforhandler for Briggs & Stratton undersøker og renser luftkjølesystemet. Se **Vedlikeholdslisten**.

1. Pass på at ingen brennbare materialer befinner seg ved og under lydemperen.
2. Bruk en børste eller tørr klut til å fjerne alt uønsket materiale fra blåserhusets deksel, eksosen og sylinderområdet. IKKE bruk vann til å rengjøre motoren.
3. Pass på at tilkoblingen, fjærer og kontroller er rene.
4. Inspiser lydemperen for sprekker, korrosjon eller andre skader.
5. Fjern ledeplaten eller gnistfangeren, hvis installert, og se etter skader eller sotbelegg. Pass på at du rengjør eller installerer erstatningsdelene før du bruker utstyret.
6. Sørg for at ribbene på oljekjøleren er rene (hvis dette er montert).

Skift motorolje



ADVARSEL Drivstoff og drivstoffdamp er antennelig og sprengfarlig. Brann eller eksplosjon kan medføre brannskader eller dødsfall.

Motoren og lyd-potten hetes opp under drift. Berøring av oppvarmet motor kan forårsake brannskader.

- Hvis du tapper av olje fra toppen av oljepåfyllingsrøret, må drivstofftanken være tom. Drivstoff kan lekke og forårsake brann eller eksplosjon hvis ikke den er tom.
- Stans motoren og vent to (2) minutter før du rører motoren eller eksospotten. Sørg for at motoren og eksospotten trygt kan berøres.

Brukt olje er et farlig avfallsprodukt som må kasseres hensiktsmessig. Må ikke kastes sammen med husholdningsavfall. Ta kontakt med lokale myndigheter, et servicesenter eller en forhandler ang. anlegg for trygg deponering eller resirkulering.

Tømming av olje

1. Med motoren AV, men fremdeles varm, koble fra tennpluggledningen (D, Figur 10) og hold den på avstand fra tennpluggen (E). For motormodeller som har et varmeskjold (Figur 11), koble fra tennpluggledningen som følger:
 - a. Lås opp den røde tappen (A, Figur 11) fra tilkoblingen (B).
 - b. Skyv den sorte tappen (C, Figur 11) mens du trekker tilkoblingen (B) ut av coilen (D)
2. Ta ut peilepinnen (A, B, C, Figur 4).
3. Fjern en av oljetappepluggene (F, G, Figur 13). Tapp av oljen på en godkjent beholder.
4. Installer og stram til oljedreneringspluggen (F, G, Figur 13).

Påfylling av olje

- Sørg for at motoren står vannrett.
- Rengjør uønsket materiale fra oljefylleområdet.
- Slå opp avsnittet **Spesifikasjoner** for informasjon om oljekapasitet.

1. Ta ut peilepinnen (A, B, C, Figur 4).
2. Fyll sakte olje på en av oljefyllåpningene (E, F, Figur 5). Ikke fyll på for mye olje.
3. Sett inn peilepinnen (A, B, C, Figur 4).

- a. Forlengt peilepinne, hvis installert (B, Figur 4): Pass på at oljefyllingsmerkene på peilepinnen (B) peker mot toppen av motoren.
 - b. Kort peilepinne og peilepinnefyllplugg, om installert (C, Figur 4): Vri og stram til peilepinnen (C).
4. Ta ut peilepinnen (A, B, C, Figur 4).
 5. Sjekk oljenivået. Forsikre deg om at oljenivået er øverst på full-indikatoren (D, Figur 4).
 6. Sett inn peilepinnen igjen (A, B, C, Figur 4).
 7. Koble tennpluggledningen (D, 10) til tennpluggen (E). For motormodeller som har et varmeskjold (Figur 11), koble til tennpluggledningen som følger:
 - a. Installer tilkoblingen (B, Figur 11).
 - b. Lås den røde tappen (A, Figur 11).

Service av luftfilter

ADVARSEL

Damp fra drivstoff er brann- og sprengfarlig. Brann eller eksplosjon kan medføre brannskader eller dødsfall.

- Motoren må ikke startes og kjøres hvis luftfilterenheten (hvis montert) eller luftfilteret (hvis montert) er tatt av.

OBS

Ikke bruk trykkluft eller løsemidler til å rengjøre filteret. Trykkluft kan medføre skader på filteret og løsemidler vil løse opp filteret.

Se **Vedlikeholdsplanen** for informasjon om servicekrav.

Modellene bruker enten skum- eller papirfilter. Enkelte modeller kan også ha et valgfritt forfilter som kan vaskes og brukes om igjen. Sammenligne illustrasjonene i denne håndboken med typen som er montert på din motor og utfør vedlikeholdet i henhold til dette.

Luftfilter, papir

1. Løsne festet(ene) (C, figur 14).
2. Fjern dekslet (A, Figur 14) og filteret (B).
3. Bank filteret (B, figur 14) forsiktig mot en hard overflate for å løsne rusk. Dersom filteret er skittent, skift det ut med et nytt filter.
4. Installer filteret (B, figur 14).
5. Installer dekslet (A, figur 14) med festet(ene) (C). Sørg for at festet(ene) sitter stramt.

Papirluftfilter – lav profil

1. Skyv låsen (A, figur 15) for å låse opp dekselet (C).
2. Skyv tappene innover (B, figur 15) og fjern dekselet (C).
3. Fjern filteret (D, figur 15).
4. Bank filteret (D, figur 15) forsiktig mot en hard overflate for å løsne rusk. Dersom filteret er skittent, skift det ut med et nytt filter.
5. Sett inn filteret (D, figur 15).
6. Monter dekselet (C, figur 15). Skyv låsen (A) til låseposisjon.

MERK: Sjekk tilpasningen til skumforseglingen (E, figur 15). Pass på at perimeterskumforseglingen er riktig plassert i kanalen (F).

Vedlikehold av drivstoffsystemet

ADVARSEL

Drivstoff og drivstoffdamp er antennelig og sprengfarlig. Brann eller eksplosjon kan medføre brannskader eller dødsfall.

- Hold drivstoff unna gnister, åpne flammer, tennflammer, varme og andre tennkilder.
- Drivstoffslanger, drivstofftanken, bensinlokket og koblinger skal kontrolleres regelmessig for å se om det har kommet sprekker eller lekkasjer. Bytt skadde deler.
- Hvis du har sølt drivstoff, må du vente til tørker før du starter opp motoren.

Drivstoffilter, hvis montert

1. Før du bytter ut drivstoffilteret (A, Figur 16), tøm drivstoffkranen eller lukk lukkeventilen for drivstoff. Drivstoff kan lekke ut og forårsake brann eller eksplosjon hvis ikke drivstofftanken har blitt tømt.
2. Bruk en tang til å trykke ned tappene (B, Figur 16) på klemmene (C) og skyv deretter klemmene bort fra drivstoffilteret (A).
3. Vri og trekk av drivstoffledningen (D, Figur 16) fra drivstoffilteret.

4. Undersøk drivstoffslangene (D, Figur 16) for å se om det er sprekker eller lekkasjer. Om nødvendig, bytt ut drivstoffslangene.
5. Skift ut drivstoffilteret (A, Figur 16).
6. Fest drivstofflinjene (D, Figur 16) med klemmer (C).

Drivstoffsil, hvis montert

1. Fjern drivstofflokket (A, Figur 17).
2. Fjern drivstoff silen (B, figur 17).
3. Hvis drivstoff silen er skitten, må den renses eller skiftes ut. Hvis drivstoff silen skiftes ut, må du passe på at den nye silen er en original reservedel.

Oppbevaring Drivstoffsystemet

Se figur 18.

ADVARSEL

Drivstoff og drivstoffdamp er antennelig og sprengfarlig. Brann eller eksplosjon kan medføre brannskader eller dødsfall.

Oppbevaring av drivstoff

- Da spareblusser eller andre tennkilder kan forårsake eksplosjoner, må ikke drivstoff og utstyr lagres i nærheten av fyringsanlegg, ovner, varmtvannsberedere eller annet utstyr med sparebluss.

Hold motoren vannrett i den riktige driftsposisjonen. Fyll drivstofftanken (A, Figur 18) med drivstoff. Fyll ikke over drivstofftankens hals, slik at drivstoffet får rom til å ekspandere (B).

Drivstoff kan bli foreldet når det oppbevares i en oppbevaringsbeholder i mer enn 30 dager. En alkoholfri drivstoffstabilisator og etanolbehandling i drivstofftanken er anbefalt. Dette holder drivstoffet ferskt og reduserer drivstoffrelaterte problemer eller kontaminering i drivstoffsystemet.

Når du fyller kannen med drivstoff, tilsett en alkoholfri drivstoffstabilisator som spesifisert av produsentens instruksjoner. Hvis bensinen i motoren ikke har blitt behandlet med en drivstoffstabilisator, må den tømmes i en godkjent kanne. Kjør motoren til den er tom for drivstoff.

Motorolje

Skift olje mens motoren fortsatt er varm. Se avsnittet **Skifte av motorolje**.

Feilsøking Assistanse

Hvis du trenger hjelp, ta kontakt med din lokale forhandler eller gå til **BRIGGSandSTRATTON.COM** eller ring **1-800-444-7774** (i USA).

Spesifikasjoner og reservedeler

Modell: 25E300	
Sylindervolum	24.898 ci (408 cc)
Sylinderboring	3.465 in (88 mm)
Slaglengde	2.638 in (67 mm)
Oljekapasitet	28-32 oz (.82 - .95 L)
Tennpluggens avstand	.030 in (.76 mm)
Tennpluggens dreiemoment	170 lb-in (19,2 Nm)
Fartssensor luftgap	.010 - .015 in (.254 - .381 mm)
Klaring for inntaksventil	.004 - .006 in (.10 - .15 mm)
Eksoventil Klaring	.006 - .008 in (.15 - .20 mm)

Motorens ytelse vil reduseres med 3,5 % for hver 1000 fot (300 meter) over havet, og med 1 % for hver 10 °F (5,6 °C) over 77 °F (25 °C). Motoren vil fungere tilfredsstillende ved en vinkel på opp til 30°. Se maskinens brukerhåndbok for tillatte trygge arbeidsgrenser i bakker.

Servicedeler

For å kjøpe Briggs & Stratton-servicedeler, finn en autorisert serviceforhandler på **BRIGGSandSTRATTON.COM**. Du vil trenge identifiseringsnummeret ditt (modell – type – trim). Referer til **Funksjoner og kontroller**-avsnittet for å finne identifiseringsnummeret ditt.

Effektberegning

Brutto effektberegning for individuelle bensinmotorer er merket i henhold til SAE- (Society of Automotive Engineers) kode J1940 Small Engine Power & Torque Rating Procedure, og er rangert i henhold til SAE J1995. Dreiemomentverdiene hentes ut ved 2600 o/min for motorer hvor «rpm» (o/min) er nevnt på etiketten, og 3060 o/min for alle andre. Verdien for hestekrefter hentes ut ved 3600 o/min. Bruttokurver kan sees på www.BRIGGSandSTRATTON.COM. Nettoeffekt-verdiene er målt med eksos- og luffilter installert, mens bruttoverdier er målt uten disse tilbehørene. Reell brutto motoreffekt vil være høyere enn netto motoreffekt, og påvirkes av blant annet forhold i omgivelsene og variasjoner fra motor til motor. Gitt det brede spekteret av produkter som motorer er montert inn i, kan ikke bensindrevne motorer utvikle nominell brutto motoreffekt i et bestemt elektrisk utstyr. Denne forskjellen skyldes en rekke faktorer, inkludert, men ikke begrenset til, variasjonen i motordeler (luffilter, eksosanlegg, lader, kjøleanlegg, forgasser, drivstoffpumpe osv.), begrensninger i bruk, forhold i omgivelsene (temperatur, fuktighet, høyde), og variasjoner fra motor til motor. På grunn av produksjons- og kapasitetsmessige begrensninger, kan Briggs & Stratton bytte ut en motor med en som er av høyere rangert effekt for denne motoren.

Garanti

Briggs & Stratton® -motorgaranti

Effektiv fra august 2022

Begrenset garanti

Briggs & Stratton garanterer at i løpet av garantiperioden som angitt nedenfor, vil foretaket sørge for å reparere eller skifte ut alle deler som er defekte med nye, renoverte eller reproduserte deler gratis (etter Briggs & Stratton sitt skjønn), enten svikten skyldes materialet, utførelsen derav, eller begge deler. Transportkostnader for et produkt som sendes inn for reparasjon eller utskifting av deler som faller inn under denne garantien, må dekkes av kjøperen. Denne garantien er kun gyldig for og er underlagt den tidsperioden og de vilkårene som er nevnt nedenfor. For service under garantien, finn din nærmeste autoriserte serviceforhandler på forhandlersøk-kartet på BRIGGSandSTRATTON.COM. Kjøperen må kontakte autorisert serviceforhandler og deretter gjøre produktet tilgjengelig for den autoriserte forhandleren for inspeksjon og testing.

Det finnes ingen andre uttrykkelige garantier. Underforståtte garantier, medregnet dem som gjelder forretningsmessighet og egnethet til et bestemt formål, begrenser seg til ett år fra kjøpet fant sted eller innenfor den gyldighetsperioden som tillates gjennom lov. Alle andre underforståtte garantier er utelukket. Ansvar for tilfeldige skader eller følgeskader er utelukket i den grad utelukkelse er tillatt ved lov. Noen stater eller land tillater ikke begrensninger på hvor lang tid en underforstått garanti gjelder og noen stater eller land tillater ikke utelukkelse eller begrensning av tilfeldige skader eller følgeskader, og dermed er det ikke sikkert at begrensningen eller utelukkelsen ovenfor gjelder for deg. Denne garantien gir deg spesifikke juridiske rettigheter og andre rettigheter som kan variere fra land til land¹.

Standard garantivilkår ^{1, 2}
Vanguard®; Kommersiell serie
Forbrukerbruk – 36 måneder
Kommersiell bruk – 36 måneder
XR serie
Forbrukerbruk – 24 måneder
Kommersiell bruk – 24 måneder
Alle andre motorer med Dura-Bore™ støpejernsforing
Forbrukerbruk – 24 måneder
Kommersiell bruk – 12 måneder
Alle andre motorer
Forbrukerbruk – 24 måneder
Kommersiell bruk – 3 måneder

¹ Dette er våre standard garantivilkår, men noen ganger kan det være ekstra garantidekning som ikke var bestemt på det tidspunktet dokumentasjonen gikk i trykken. For å se en liste over aktuelle garantivilkår for din motor, gå inn på BRIGGSandSTRATTON.COM eller henvend deg til din autoriserte Briggs & Stratton-serviceforhandler.

² Det er ingen garanti på motorer påmontert på utstyr som brukes til å produsere kraft som erstatter kraft fra en kraftleverandør, reserveaggregater som brukes i kommersiell sammenheng, kraftleverandørkjøretøy som overskrider 40 km/t eller motorer som brukes til konkurransekjøring eller på kommersielle baner eller utleiebaner.

* Gjelder Australia – Våre varer selges her med garantier som ikke kan utelukkes i henhold den australske forbrukerkjøpsloven. Du har krav på erstatning eller refusjon for større svikt og kompensasjon for alt annet rimelig forutsigbart tap eller skade. Du har også rett til å få varene reparert eller skiftet ut dersom varene viser seg å ikke være av akseptabel kvalitet og svikten ikke er en stor svikt. For service under garantien, finn nærmeste autoriserte serviceforhandler på forhandlersøk-kartet på BRIGGSandSTRATTON.COM, eller ved å ringe 1300 274 447, eller ved å sende

e-post eller skrive til salesenquiries@briggsandstratton.com.au, Briggs & Stratton Australia Pty Ltd, 1 Moorebank Avenue, Moorebank, NSW, Australia, 2170.

Garantien begynner på kjøpsdatoen der kjøperen er den første private brukeren eller profesjonelle endelige brukeren, og fortsetter ut den perioden som er angitt i tabellen ovenfor. "Hjemmebruk" betyr privat bruk hjemme av en forbruker. "Forretningsmessig bruk" betyr all annen bruk, inkludert bruk for kommersielt, forretningsmessig eller utleieføremål. Så snart en motor er blitt anvendt til profesjonelt bruk, vil den deretter bli betraktet som en kommersiell motor med hensyn til garantien.

Det er ikke nødvendig med noen garantiregistrering for å få garanti på Briggs & Stratton-produkter. Ta vare på kvitteringen som bevis på kjøp. Hvis du ikke skaffer til veie bevis på den opprinnelige kjøpsdatoen på det tidspunktet du gjør garantien gjeldende, vil produksjonsdatoen på produktet brukes til å fastsette garantiperioden.

Om din garanti

Denne begrensede garantien dekker kun defekter på materialer og/eller utførelse av arbeid på motoren, og ikke erstatning eller tilbakebetaling for utstyret som motoren eventuelt er montert på. Rutinemessig vedlikehold, trimming, justeringer eller normal slitasje dekkes ikke av denne garantien. Garantien er heller ikke gyldig hvis motoren er blitt endret eller modifisert eller hvis motorens serienummer er ødelagt eller fjernet. Denne garantien dekker ikke skader på motor eller problemer med ytelse forårsaket av:

1. Bruk av deler som ikke er Briggs & Stratton
2. Bruk av motoren med for lite olje, forurenset olje eller feil type olje;
3. Bruk av forurenset eller gammelt drivstoff, bensin som inneholder mer enn 10 % etanol, eller bruk av alternativt drivstoff, slik som forskjellige typer flytende petroleum eller naturgass i motorer som ikke var opprinnelig konstruert/produsert av Briggs & Stratton til å bruke slike drivstofftyper;
4. Smuss som har kommet inn i motoren som resultat av feil vedlikehold eller feil montering av luffilteret;
5. At kniven på en roterende gressklipper har truffet en gjenstand, løse eller feil monterte knivadapere, viftehjul eller andre deler som er koblet til veivakselen, eller at v-remmen er for stram;
6. Tilhørende deler eller monteringer slik som kløtsjer, girkasser, kontroller for utstyr osv. som ikke er levert av Briggs & Stratton;
7. Overoppheting som resultat av at gressrester, rusk og partikler eller musereir blokkerer eller tetter igjen kjøleribbene eller svinghjulet, eller skader forårsaket av at motoren er blitt brukt på steder uten tilstrekkelig ventilasjon;
8. Sterk vibrasjon forårsaket av for høyt turtall, at motoren sitter løst, løstsittende eller ubalanserte kniver eller viftehjul, eller at utstyr er feil montert på veivakselen;
9. Feil bruk, manglende rutinemessig vedlikehold, transport, håndtering eller lagring av utstyr, eller feil montering av motoren.

Garantiservice er kun tilgjengelig gjennom Briggs & Stratton- autoriserte serviceforhandlere. Finn din nærmeste autoriserte serviceforhandler på vårt forhandlersøk-kart på BRIGGSandSTRATTON.COM eller ved å ringe 1-800-444-7774 (i USA).

80114782 (Revisjon A)

Informações gerais



Este manual contém as informações de segurança sobre os perigos e riscos relacionados com o motor e como evitá-los. Também contém a operação e manutenção corretas deste motor. É importante ler, compreender e seguir estas instruções. **Guarde este manual para consulta futura.**

NOTA: As figuras e ilustrações neste manual são fornecidas apenas a título informativo e podem ser diferentes do seu modelo. Use as figuras que se alinham com a configuração do seu motor. Se for necessário, fale com um Revendedor de Serviços Autorizado.

Registe a data de aquisição, o modelo do motor, o tipo, a guarnição e o número de série do motor para peças de reposição. Estes números estão indicados no motor. Consulte a secção **Características e Controlos**.

Data de aquisição	
Modelo do Motor - Tipo - Guarnição	
Número de série do motor	

Informações de contacto escritório europeu

Para assuntos relacionados com emissões europeias, contacte o nosso escritório europeu:

Max-Born-Straße 2, 68519 Viernheim, Alemanha.


Estágio V (5) da União Europeia (UE): Valores de Dióxido de Carbono (CO₂)

Digite CO₂ na janela de pesquisa em BriggsandStratton.com para encontrar os valores de dióxido de carbono dos motores com certificado de homologação da UE Briggs & Stratton.

Segurança do Operador

Símbolo de alerta de segurança e palavras de sinalização



O símbolo de alerta de segurança  identifica informação de segurança sobre perigos que podem resultar em lesões pessoais. Uma palavra de sinalização (**PERIGO**, **ADVERTÊNCIA**, ou **CUIDADO**) é usada para indicar a probabilidade e potencial gravidade da lesão. Para além disso, um símbolo de perigo pode ser usado para representar o tipo de perigo.









PERIGO indica um perigo que, se não for evitado, **irá** resultar em morte ou lesões graves.



ADVERTÊNCIA indica um perigo que, se não for evitado, **pode** resultar em morte ou lesões graves.

CUIDADO indica um perigo que, se não for evitado, **pode** resultar em ferimentos ligeiros ou moderados.

AVISO indica informação considerada importante, mas não relacionada com perigo.

Símbolos de Segurança e Respetivos Significados

 Informação de segurança sobre perigos que podem resultar em lesões pessoais.	 Deve ler e compreender o Manual do Utilizador antes de trabalhar ou intervir na unidade.
 Perigo de incêndio	 Perigo de explosão
 Perigo de choque	 Perigo de fumo tóxico
 Perigo de superfície quente	 Perigo de contragolpe (coice)

 Perigo de amputação - Peças móveis	 Nível de combustível - Máximo Não encher demais
---	---

Mensagens de Segurança



ADVERTÊNCIA

Os motores da Briggs & Stratton® não foram concebidos nem devem ser usados para accionar: karts de diversão; karts reais; veículos todo-terreno desportivos, para crianças, ou recreativos (ATV); motos; hovercraft; produtos aeronáuticos; ou veículos usados em provas de competição não aprovadas pela Briggs & Stratton. Para obter informações sobre produtos de competição, consulte www.briggsracing.com. Caso pretenda usar este motor com ATV utilitários e "side-by-side", deve entrar em contacto com o Briggs & Stratton Power Application Center, 1-866-927-3349. O uso incorreto do motor pode resultar em ferimentos graves ou morte.

Informação sobre reciclagem



Recicle todas as caixas de papelão, caixas, óleo usado e baterias, conforme especificado pelos regulamentos governamentais.

Características e Controlos






Controlos do Motor

Compare as letras das legendas nas Figuras 1, 2 e 3 para os controlos do motor ¹ na seguinte lista:

- Números de identificação do motor **Modelo - Tipo - Acabamento**
- Tanque de combustível e tampão
- Filtro de ar, montagem alta
- Filtro de ar, montagem baixa
- Manípulo do cabo de arranque
- Vareta de nível de óleo, superior
- Vareta de nível de óleo, inferior (se instalada)
- Enchimento de óleo
- Bujão de Drenagem de Óleo
- Silenciador, protetor do silenciador (se instalado), corta-faíscas (se instalado)
- Controlo eletrónico do acelerador (se instalado)
- Verifique a luz do motor (se instalado)
- Tampa do compartimento do ventilador
- Interruptor de chave (se instalado)

¹Alguns motores e equipamentos possuem controlos remotos. Consulte no manual do equipamento a localização e o funcionamento dos controlos remotos.

Símbolos de Controlo do Motor e Respetivos Significados

 Velocidade do motor - RÁPIDA	 Velocidade do motor - LENTA
 Motor - PARAGEM	 Motor - ARRANQUE
 Motor - LIGADO	

Funcionamento



ADVERTÊNCIA

Os vapores dos combustíveis são inflamáveis e explosivos. Incêndio ou explosão pode resultar em queimaduras ou morte.

No caso de haver cheiro a gás

- Não ligar o motor.
- Não ligue interruptores elétricos.
- Não usar um telefone nas proximidades.
- Evacuar a área.
- Contacte os bombeiros.

Quando operar o equipamento

- Não incline o motor nem o equipamento a ponto de derramar combustível.

Quando mover a localização do equipamento

- Verifique se o depósito de combustível está VAZIO ou se a válvula de corte de combustível, se instalada, está na posição FECHADA.

Verificar o nível do óleo

Antes de verificar ou adicionar óleo

- Certifique-se de que a unidade está nivelada.
- Limpe a área do óleo de material indesejado.
- Consulte a seção **Especificações** para a capacidade do cárter de óleo.

AVISO

Este motor foi enviado da Briggs & Stratton sem óleo. Os fabricantes de equipamentos ou os revendedores podem ter adicionado óleo ao motor. Antes de ligar o motor pela primeira vez, verifique se o óleo está no nível correto. Adicione óleo conforme especificado pelas instruções neste manual. Se arrancar o motor sem óleo, este ficará danificado, sem reparação possível e não será coberto pela garantia.

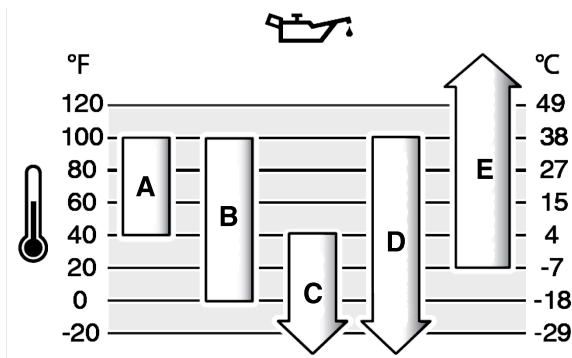
1. Remova a vareta (A, B, C, Figura 4). Use um pano para remover o óleo da vareta (A, B, C).
2. Coloque a vareta (A, B, C, Figura 4).
 - a. Vareta de montagem baixa, se instalada, (B, Figura 4): Certifique-se de que as marcas de enchimento de óleo na vareta (B) apontam para a parte superior do motor.
 - b. Vareta curta ou bujão de enchimento da vareta, se instalado (C, Figura 4): Rode e aperte a vareta (C).
3. Remova a vareta novamente (A, B, C, Figura 4).
4. Verifique o nível do óleo. Certifique-se de que o nível de óleo está na parte superior do indicador de cheio (D, Figura 4).
5. Se o nível do óleo estiver baixo, adicione óleo devagar num dos reservatórios de óleo do motor (E, F, Figura 5). Não adicione demasiado óleo.
6. Espere um minuto. Verifique o nível do óleo novamente. Verifique se o nível do óleo está correto.
7. Coloque a vareta (A, B, C, Figura 4).

Recomendações de Óleo

Capacidade do cárter de óleo: Consulte a seção **Especificações**.

Recomendamos o uso de óleos certificados com garantia da Briggs & Stratton® para um melhor desempenho. Outros óleos detergentes de elevada qualidade são permitidos se classificados para a manutenção de SF, SG, SH, SJ ou superior. Não use aditivos especiais.

Utilize o gráfico para seleccionar a melhor viscosidade para o intervalo de temperatura exterior esperado. Os motores na maioria dos equipamentos de energia ao ar livre funcionam bem com óleo sintético 5W-30. Para equipamentos utilizados em temperaturas quentes, o óleo sintético Vanguard® 15W-50 é o que confere a melhor proteção.



A	SAE 30 - Abaixo de 40 °F (4 °C) a utilização de SAE 30 irá resultar num arranque complicado.
B	10W-30 - Acima de 80 °F (27 °C) a utilização de 10W-30 pode causar o aumento do consumo de óleo. Verifique o nível do óleo com frequência.
C	5W-30
D	5W-30 sintético
E	Vanguard® sintético 15W-50

Sistema de proteção de baixo nível de óleo (se instalado)

Um sensor com pouco óleo está instalado em alguns motores. Se o nível de óleo estiver baixo, o sensor pode ativar uma luz de aviso ou parar o motor. Pare o motor e execute os passos a seguir antes de arrancar o motor.

- Certifique-se de que a unidade está nivelada.
- Verifique o óleo. Consulte a seção **Verificar o nível do óleo**.
- Se o nível do óleo estiver baixo, acrescente a quantidade de óleo adequada. Arranque o motor e verifique se o dispositivo de aviso (se equipado) não acende.
- Se o nível de óleo não estiver baixo, não ligue o motor. Contacte um revendedor de serviços autorizado Briggs & Stratton para corrigir o problema do óleo.

Recomendações de Combustível

O combustível deve satisfazer estes requisitos:

- Gasolina limpa, fresca e sem chumbo.
- Um mínimo de 87 octanas/87 AKI (91 RON). Utilização em altitude elevada, veja em baixo.
- Gasolina com até 10% de etanol (gasool) é permitida.

AVISO

Não use gasolinas não aprovadas, tais como E15 e E85. Não misture óleo na gasolina nem altere o motor para operar com combustíveis alternativos. A utilização de combustíveis não aprovados pode causar danos nos componentes do motor, que não serão cobertos pela garantia.

Para proteger o sistema de combustível da formação de goma e corrosão, misture um estabilizador de combustível sem álcool e um tratamento de etanol no combustível. Consulte a seção **Armazenamento**. O combustível não é todo o mesmo. Se ocorrerem problemas de arranque ou desempenho, mude de fornecedores de combustível ou de marcas. Este motor está certificado para funcionar a gasolina. O sistema de controlo de emissões para motores carburados é EM (Modificações do Motor). Os sistemas de controlo de emissões para motores com injeção eletrónica de combustível são ECM (Módulo de Controlo de Motor), MFI (Injeção de Combustível Multi Portas), TBI (Injeção de Combustível do Corpo do Acelerador) e, se equipado, um O2S (Sensor de Oxigénio).

Elevada Altitude

A altitudes superiores a 5000 pés (1524 metros), é aceitável uma gasolina com o mínimo de 85 octanas/85 AKI (89 RON).

Para motores carburados, o ajuste de altitude elevada é necessário para manter o desempenho. O funcionamento sem este ajuste irá causar um decréscimo do desempenho, aumento do consumo de combustível e aumento de emissões. Contacte um Concessionário de Assistência Autorizado pela Briggs & Stratton para informações sobre o ajuste a altitude elevada. A operação do motor a altitudes abaixo dos 2500 pés (762 metros) com o ajuste de altitude elevada não é recomendada.

Para motores de Injeção Eletrónica de Combustível (EFI), não é necessário qualquer ajuste de altitude elevada.

Adicionar combustível



ADVERTÊNCIA

O combustível e os seus vapores são inflamáveis e explosivos. Incêndio ou explosão pode resultar em queimaduras ou morte.

Quando adiciona combustível

- Pare o motor. Antes de remover a tampa do combustível, aguarde no mínimo dois (2) minutos para garantir que o motor esteja frio.
 - Encha o depósito de combustível ao ar livre ou numa área com bom fluxo de ar.
 - Não coloque muito combustível no depósito. Para permitir a expansão do combustível, não deixe o nível do combustível ultrapassar a parte inferior do bocal do depósito.
 - Mantenha o combustível afastado de faíscas, chamas abertas, chamas piloto, calor e outras fontes de ignição.
 - Examine frequentemente as linhas de combustível, o depósito de combustível, a tampa do combustível e as conexões quanto a rachaduras ou vazamentos. Substitua as peças danificadas.
 - Se derramar combustível, aguarde até que este evapore antes de ligar o motor.
1. Limpe a área do tampão do combustível, removendo sujidade e detritos. Remova o tampão do combustível.
 2. Encha o depósito de combustível (A, Figura 6) com gasolina. Com a expansão do combustível, não deixe o nível do combustível ultrapassar a parte inferior do bocal do depósito de combustível (B).
 3. Instale o tampão do combustível.

Arrancar o motor



ADVERTÊNCIA

PERIGO DE GÁS VENENOSO. O escape do motor contém monóxido de carbono, um gás venenoso que pode ser fatal em poucos minutos. Mesmo que não sinta o cheiro dos gases de escape, não deixa de estar exposto ao perigoso gás de monóxido de carbono. Se começar a sentir-se doente, com tonturas ou fraqueza ao usar este produto, dirija-se DE Imediato para um local bem ventilado. Consulte um médico. Pode estar com envenenamento por monóxido de carbono.

- O gás de monóxido de carbono pode acumular-se em espaços ocupados. Para reduzir o risco de gás de monóxido de carbono, opere este produto APENAS ao ar livre e longe de janelas, portas e aberturas de ventilação.
- Instale alarmes de monóxido de carbono alimentados a bateria ou de ligação à corrente com bateria de emergência, em conformidade com as instruções do fabricante. Os detetores de fumos não detetam o monóxido de carbono gasoso.
- NÃO use este produto no interior de habitações, garagens, porões, vãos com teto baixo, depósitos ou outros espaços parcialmente fechados, mesmo que possam existir neles ventiladores ou portas e janelas que possam ser abertas para ventilação. Após a operação deste produto, o monóxido de carbono pode acumular-se rapidamente nestes espaços e permanecer durante horas.
- Coloque SEMPRE este produto num local a favor do vento e aponte o escape do motor afastando-o de espaços ocupados.



ADVERTÊNCIA

O combustível e os seus vapores são inflamáveis e explosivos. Incêndio ou explosão pode resultar em queimaduras ou morte.

Quando arrancar o motor

- Assure-se de que a vela de ignição, o silenciador, o tampão do combustível e o purificador do ar (se instalado) estão instalados corretamente.
- Não acione o motor com a vela de ignição retirada.
- Se o motor estiver encharcado, coloque o estrangulador (se equipado) na posição ABERTO ou FUNCIONAMENTO. Desloque a válvula reguladora (se instalada) para a posição RÁPIDA, e acione até que o motor arranque.
- Se existir uma fuga de gás natural ou de GPL na zona, não ligue o motor.
- Não utilize fluidos de arranque pressurizados, porque os vapores são inflamáveis.



ADVERTÊNCIA

As peças rotativas podem emaranhar mãos, pés, cabelos, roupas ou acessórios e resultar em amputação ou laceração traumática.

- Opere o equipamento com as proteções instaladas corretamente.
- Mantenha as mãos e os pés afastados de peças em rotação.
- Remova jóias e verifique se os cabelos longos estão afastados de todas as peças rotativas.
- Não use roupas folgadas ou itens que possam ficar presos.



ADVERTÊNCIA

O cabo de arranque recuando em contragolpe (retrocesso rápido) puxará a mão e o braço em direção ao motor, mais rápido que poderá largar, o que poderá causar ossos partidos, fraturas, contusões ou entorses.

- Ao colocar o motor em funcionamento, puxe o cabo de arranque lentamente até sentir resistência, e depois puxe rapidamente para evitar o coice.
- Retire todo o equipamento exterior/cargas do motor antes de ligar o motor.
- Componentes de equipamento de ligação direta tais como, entre outros, lâminas, impulsores, polias, rodas dentadas, etc., têm de estar bem fixados.

NOTA: O seu equipamento pode ter controlos remotos. Consulte no manual do equipamento a localização e o funcionamento dos controlos remotos.

Arranque Eléctrico

1. Verifique o nível do óleo. Consulte a secção **Verificar o nível do óleo**.
2. Desengate os controlos de direção do equipamento, se instalados.
3. Mova a válvula de corte de combustível, se instalada, para a posição ABERTA.
4. Rode o interruptor de chave (A, Figura 7) para a posição ARRANQUE.

AVISO Quando soltar o interruptor de chave (A, Figura 7), a chave mover-se-á para a posição LIGADO. O motor continuará a girar a menos que o motor arranque. Para abortar a sequência de manivela, rode a chave de ignição (A) para a posição DESLIGADO. Se o motor não arranque, execute os passos a seguir.

5. Certifique-se de que o interruptor de chave (A, Figura 7) está na posição DESLIGADO. Aguarde dois segundos.
6. Rode o interruptor de chave (A, Figura 7) para a posição ARRANQUE.
7. Se o motor não arranque, aborte a sequência de manivela e fale com um Revendedor de Serviços Autorizado Briggs & Stratton.

Arranque manual

AVISO O arranque elétrico é o método recomendado para iniciar o seu motor.

1. Verifique o nível do óleo do motor. Consulte a secção **Verificar o nível do óleo**.
2. Desengate os controlos de direção do equipamento, se instalados.
3. Certifique-se de que o motor está ligado a uma bateria carregada de 12 V.
4. Mova a válvula de corte de combustível, se instalada, para a posição ABERTA.
5. Rode o interruptor de chave (A, Figura 8) para a posição LIGADO. Em seguida, puxe a alça do cabo de arranque (B).

Pare o motor

1. Rode o interruptor de chave (A, Figura 7) para a posição DESLIGADO.
2. Retire a chave. Mantenha-o num local seguro longe de crianças.
3. Depois de o motor parar, rode a válvula de corte de combustível, se instalada, para a posição FECHADA.

Verifique a luz do motor

A luz de verificação do motor (B, Figura 7) sinaliza um problema com o motor. Se a luz de verificação do motor estiver acesa durante o funcionamento do motor, fale com um Revendedor de serviços autorizado Briggs & Stratton para corrigir o problema o mais rapidamente possível ou quando o trabalho estiver concluído. Se a luz de verificação do motor estiver acesa e o motor tiver parado automaticamente, execute os passos a seguir:

1. Certifique-se de que a unidade está nivelada.
2. Verifique o óleo. Consulte a secção **Verificar o nível do óleo**.
3. Arranque o motor. Consulte a secção **Iniciar o motor**.
4. Se a luz do mecanismo de verificação permanecer acesa e o motor continuar a parar automaticamente, não use o motor. Fale com um revendedor de serviços autorizado Briggs & Stratton imediatamente para corrigir o problema.

Manutenção

Informação de manutenção



AVERTÊNCIA

O combustível e os seus vapores são inflamáveis e explosivos. Incêndio ou explosão pode resultar em queimaduras ou morte.

Durante a manutenção, se for necessário inclinar a unidade, verifique se o depósito de combustível, se montado no motor, está vazio e se o lado da vela de ignição está levantado. Se o depósito de combustível não estiver vazio, pode ocorrer vazamento e resultar em incêndio ou explosão. Se o motor for inclinado numa direção diferente, não será iniciado facilmente devido à contaminação por óleo ou combustível do filtro de ar ou da vela de ignição.



AVERTÊNCIA

A faísca acidental do motor pode causar choque elétrico, incêndio ou explosão e resultar em emaranhamento, amputação traumática ou laceração.

Antes de fazer ajustes ou reparações:

- Desligue todos os fios da vela de ignição e mantenha-os afastados da vela de ignição.
- Desligue a bateria no terminal negativo (apenas motores com arranque elétrico).
- Utilize apenas as ferramentas corretas.

Quando verificar se há ignição:

- Use um dispositivo de teste de ignição aprovado.
- Não teste a existência de ignição com a vela de ignição removida.



AVERTÊNCIA

As peças de reposição devem ser do mesmo modelo e ser instaladas na mesma posição que as peças originais. Outras peças podem resultar em danos ou ferimentos.

AVISO

Todos os componentes usados na construção deste produto devem permanecer montados para um funcionamento correto.

Visite um revendedor de serviços autorizado Briggs & Stratton para qualquer intervenção de manutenção e assistência do motor e peças do motor.

Manutenção do Controlo de Emissões

Para manutenção, substituição ou reparação de dispositivos e sistemas de controlo de emissões, entre em contacto com um estabelecimento ou serviço de reparação de motores qualificado. Todavia, para obter a manutenção de controlo de emissões "isenta de custos", o trabalho tem de ser executado por um revendedor autorizado. Ver as Declarações de Controlo de Emissões.

Plano de Manutenção

Primeiras 5 horas
<ul style="list-style-type: none">• Troque o óleo.
Intervalos de 8 horas ou diariamente
<ul style="list-style-type: none">• Verifique o nível do óleo do motor.• Limpe a área à volta do silenciador.• Limpe a grelha de admissão de ar.
Intervalos de 100 horas ou anualmente
<ul style="list-style-type: none">• Faça a manutenção do sistema de escape.
Intervalos de 200 horas ou anualmente
<ul style="list-style-type: none">• Mude o óleo do motor.• Limpar o filtro de ar¹
Intervalos de 600 horas ou 2 anos
<ul style="list-style-type: none">• Substitua o filtro do ar.• Substitua o filtro do combustível¹
Anualmente

- Substitua a vela de ignição.
- Manutenção do sistema de combustível.
- Faça a manutenção do sistema de arrefecimento¹.
- Verifique a folga das válvulas².

¹Limpe com mais frequência em ambientes empoeirados ou quando muitas partículas estiverem no ar.

²Não é necessário, a menos que ocorram problemas do motor.

Sistema de Injeção Eletrónica de Combustível (EFI)

O Sistema EFI monitoriza a temperatura do motor, a rotação do motor e a tensão da bateria para o arranque e aquecimento do motor. Este sistema não requer ajustes. Se ocorrer algum problema de arranque ou de funcionamento, contacte um Revendedor de Serviços Autorizado Briggs & Stratton.

AVISO Certifique-se de seguir os passos a seguir ou poderão ocorrer danos ao sistema EFI.

- NÃO arranque o motor se os cabos da bateria estiverem soltos.
- Rode a chave para a posição DESLIGADO antes de desligar, retirar e/ou instalar a bateria.
- NÃO use um carregador de bateria para arrancar o motor.
- NÃO desconecte os cabos da bateria durante o funcionamento do motor.
- Quando ligar os cabos da bateria, ligue primeiro o cabo positivo (+) e depois o cabo negativo (-) à bateria.
- Durante o carregamento da bateria, rode o interruptor de ignição para a posição DESLIGADO e desligue o cabo negativo (-) da bateria.
- NÃO pulverize água diretamente sobre o Módulo de Comando Eletrónico.

Realizar a Assistência da Vela de Ignição

Verifique a folga da vela de ignição (A, Figura 9) com um calibre (B). Se necessário, ajuste a folga da vela de ignição. Instale e aperte a vela de ignição com o torque correto. Para obter as especificações relativas à folga e ao torque, consulte a secção **Especificações**.

Para obter acesso à vela de ignição, certifique-se de que o motor está na posição DESLIGADO. Desligue o fio da vela de ignição (D, Figura 10), e mantenha-o afastado da vela de ignição (E).

Em alguns modelos EFI-ETC, deve remover o escudo térmico para ter acesso à vela de ignição. Use os passos a seguir para obter acesso à vela de ignição.

1. Desbloqueie a patilha vermelha (A, Figura 11) do conector (B)
2. Empurre a patilha preta (C, Figura 11) enquanto puxa o conector (B) para fora da bobina de ignição (D).
3. Remova a válvula de detritos (E, Figura 11).
4. Remova o parafuso superior (F, Figura 11) e o parafuso lateral (G) do suporte (H).
5. Remova o escudo térmico (H, Figura 11).
6. Remova a bobina de ignição (D, Figura 11).
7. Substitua a vela de ignição (I, Figura 12).
8. Instale a bobina de ignição (D, Figura 11).
9. Instale o suporte (H, Figura 11).
10. Instale o parafuso superior (F, Figura 11) e o parafuso lateral (G) no suporte (H).
11. Instale a válvula de detritos (E, Figura 11).
12. Instale o conector (B, Figura 11) na bobina de ignição (D).
13. Bloqueie a patilha vermelha (A, Figura 11).

Manutenção dos sistemas de exaustão e refrigeração



AVERTÊNCIA Durante a operação, o motor e o silenciador ficam quentes. Se tocar num motor quente, poderão ocorrer queimaduras térmicas.

Resíduos combustíveis, tais como folhas, relva, mato, etc. podem incendiar-se.

- Antes de tocar no motor ou no silenciador, pare o motor e aguarde dois (2) minutos. Certifique-se de que o motor e o silenciador sejam seguros ao toque.
- Remova os detritos do silenciador e do motor.

O California Public Resource Code, Secção 4442, proíbe que se use ou opere o motor em qualquer terreno com cobertura florestal, cobertura de arbustos, ou cobertura de relva, ou perto desses lugares, a menos que o sistema de escape esteja equipado com um supressor de centelhas, conforme definido na Secção 4442, que seja mantido em bom funcionamento. Outros estados ou jurisdições federais podem ter leis semelhantes;

consulte a Regulamentação Federal 36 CFR Parte 261.52. Contacte o fabricante de equipamento original, revendedor ou concessionário, para obter um detentor de faíscas concebido para o sistema de escape instalado neste motor.

Este motor é arrefecido a ar. Sujidade ou material indesejado pode impedir o fluxo de ar e fazer com que o motor aqueça muito. Isto resulta em desempenho insatisfatório e diminui a vida útil do motor. As aletas de refrigeração do cilindro podem recolher material indesejado que não pode ser removido sem a desmontagem parcial do motor. Certifique-se de que um Revendedor de Serviços Autorizado Briggs & Stratton examine e limpe o sistema de refrigeração de ar. Consulte o **Programa de Manutenção**.

1. Certifique-se de que não há materiais combustíveis à volta e atrás do silenciador.
2. Use uma escova ou pano seco para remover todo o material indesejado da tampa do compartimento do ventilador, silenciador e área do cilindro. NÃO use água para limpar o motor.
3. Certifique-se de que a articulação, as molas e os controlos estão limpos.
4. Examine o silenciador em busca de fendas, corrosão ou outros danos.
5. Remova o corta-faíscas, se instalado, e verifique se apresenta danos ou obstruções de carbono. Certifique-se de limpar ou instalar as peças de reposição antes de operar o equipamento.
6. Se instalado, certifique-se de que as aletas do radiador de óleo estão limpas.

Trocar o óleo do motor

ADVERTÊNCIA

O combustível e os seus vapores são inflamáveis e explosivos. Incêndio ou explosão pode resultar em queimaduras ou morte.

Durante a operação, o motor e o silenciador ficam quentes. Se tocar num motor quente, poderão ocorrer queimaduras térmicas.

- Caso o óleo seja drenado pelo tubo de enchimento superior do depósito de combustível, este deve estar vazio. Se não estiver vazio, pode ocorrer vazamento de combustível e causar incêndio ou explosão.
- Antes de tocar no motor ou no silenciador, pare o motor e aguarde dois (2) minutos. Certifique-se de que o motor e o silenciador sejam seguros ao toque.

O óleo usado é um resíduo perigoso, que deve ser eliminado de forma adequada. Não deve ser jogado fora com o lixo normal. Contacte as suas autoridades locais, centro de assistência ou concessionário a existência de instalações de eliminação ou de reciclagem seguras.

Remover Óleo

1. Com o motor DESLIGADO mas ainda quente, desligue o fio da vela de ignição (D, Figura 10) e mantenha-o afastado da vela de ignição (E). No caso de modelos que tenham um escudo térmico (Figura 11), desligue o fio da vela da seguinte maneira:
 - a. Desbloqueie a patilha vermelha (A, Figura 11) do conector (B).
 - b. Empurre a patilha preta (C, Figura 11) enquanto puxa o conector (B) para fora da bobina (D).
2. Remova a vareta (A, B, C, Figura 4).
3. Remova o bujão de drenagem de óleo (F, G, Figura 13). Drene o óleo para um recipiente aprovado.
4. Coloque e aperte o bujão de drenagem de óleo (F, G, Figura 13).

Adicionar Óleo

- Certifique-se de que a unidade está nivelada.
 - Limpe a área de enchimento do óleo de todo o material indesejado.
 - Consulte a seção **Especificações** para a capacidade do cárter de óleo.
1. Remova a vareta (A, B, C, Figura 4).
 2. Adicione óleo lentamente num dos enchimentos de óleo do motor (E, F, Figura 5). Não adicione muito óleo.
 3. Coloque a vareta (A, B, C, Figura 4).
 - a. Vareta estendida, se instalada (B, Figura 4): Certifique-se de que as marcas de enchimento de óleo na vareta (B) apontam para a parte superior do motor.
 - b. Vareta curta ou bujão de enchimento da vareta, se instalado (C, Figura 4): Rode e aperte a vareta (C).
 4. Remova a vareta (A, B, C, Figura 4) novamente.
 5. Verifique o nível do óleo. Certifique-se de que o nível de óleo correto está na parte superior do indicador de cheio (D, Figura 4).
 6. Coloque a vareta novamente (A, B, C, Figura 4).
 7. Ligue o fio da vela de ignição (D, 10) à vela de ignição (E). No caso de modelos de motor que tenham um escudo térmico (Figura 11) ligue o fio da vela de ignição da seguinte maneira:
 - a. Instale o conector (B, Figura 11).
 - b. Bloqueie a patilha vermelha (A, Figura 11).

Realizar a Assistência do Filtro de Ar

ADVERTÊNCIA

Os vapores dos combustíveis são inflamáveis e explosivos. Incêndio ou explosão pode resultar em queimaduras ou morte.

- Nunca inicie o motor, nem o opere com o conjunto do purificador do ar (se instalado) ou o filtro de ar (se instalado) removidos.

AVISO

Não use ar pressurizado, nem solventes para limpar o filtro. O ar pressurizado pode danificar o filtro e os solventes podem dissolver o filtro.

No **Plano de manutenção**, consulte os requisitos de assistência.

Diferentes modelos usarão espuma ou um filtro de papel. Alguns modelos podem ainda dispor de um pré-purificador opcional, que pode ser limpo e reutilizado. Compare as ilustrações do presente manual com o tipo de filtro instalado no seu motor e faça a manutenção do filtro conforme se descreve a seguir.

Filtro do ar de papel

1. Desaperte o(s) fixador(es) (C, Figura 14).
2. Remova a tampa (A, Figura 14) e o filtro (B).
3. Para libertar os resíduos, bata ligeiramente com o filtro (B, Figura 14) numa superfície dura. Se o filtro estiver sujo, substitua-o por um filtro novo.
4. Coloque o filtro (B, Figura 14).
5. Instale a tampa (A, Figura 14) com o(s) fixador(es) (C). Certifique-se de que o(s) fixador(es) está(ão) apertado(s).

Filtro de ar de papel - Baixo perfil

1. Mova o fecho (A, Figura 15) para desbloquear a tampa (C).
2. Empurre as abas (B, Figura 15) e remova a tampa (C).
3. Remova o filtro (D, Figura 15).
4. Para libertar os resíduos, bata ligeiramente com o filtro (D, Figura 15) numa superfície dura. Se o filtro estiver sujo, substitua-o por um filtro novo.
5. Coloque o filtro (D, Figura 15).
6. Coloque a cobertura (C, Figura 15). Mova o fecho (A) para a posição fechada.

NOTA: Verifique o ajuste do vedante de espuma (E, Figura 15). Certifique-se de que o vedante de espuma do perímetro está encaixado corretamente no canal (F).

Manutenção do sistema de combustível

ADVERTÊNCIA

O combustível e os seus vapores são inflamáveis e explosivos. Incêndio ou explosão pode resultar em queimaduras ou morte.

- Mantenha o combustível afastado de faíscas, chamas abertas, chamas piloto, calor e outras fontes de ignição.
- Examine frequentemente as linhas de combustível, o depósito de combustível, a tampa do combustível e as conexões quanto a rachaduras ou vazamentos. Substitua as peças danificadas.
- Se derramar combustível, aguarde até que este evapore antes de ligar o motor.

Filtro de combustível, se instalado

1. Antes de substituir o filtro de combustível (A, Figura 16), drene o depósito de combustível ou feche a válvula de corte de combustível. Se o depósito de combustível não for drenado, o combustível poderá vazar e causar incêndio ou explosão.
2. Aperte as patilhas (B, Figura 16) nos grampos (C) com um alicate. Afaste os grampos do filtro de combustível (A).
3. Torça e puxe os tubos de combustível (D, Figura 16) para fora do filtro de combustível.
4. Examine os tubos de combustível (D, Figura 16) quanto a fissuras ou fugas. Se for necessário, substitua as linhas de combustível.
5. Substitua o filtro de combustível (A, Figura 16).
6. Fixe as linhas de combustível (D, Figura 16) com os grampos (C).

Filtro de combustível, se instalado

1. Remova a tampa de combustível (A, Figura 17).
2. Remova o filtro de combustível (B, Figura 17).
3. Se o filtro de combustível estiver sujo, limpe-o ou substitua-o. Se substituir o filtro de combustível, tenha o cuidado de usar um filtro de combustível sobressalente original.

Armazenamento

Sistema de combustível

Consulte a Figura: 18.



ADVERTÊNCIA
O combustível e os seus vapores são inflamáveis e explosivos. Incêndio ou explosão pode resultar em queimaduras ou morte.

Armazenamento de combustível

- Armazene-os longe de fornalhas, fogões, aquecedores de água ou outros aparelhos que tenham chamas piloto ou outras fontes de ignição, porque estas podem incendiar os vapores do combustível.

Mantenha o nível do motor na posição de funcionamento correta. Encha o depósito de combustível (A, Figura 18) com combustível. Para permitir a expansão do combustível, não encha acima do bocal do depósito de combustível (B).

O combustível pode estragar-se se mantido num recipiente de armazenamento por mais de 30 dias. Recomenda-se um estabilizador de combustível sem álcool e tratamento com etanol no recipiente de armazenamento de combustível. O estabilizador mantém o combustível fresco e reduz os problemas relacionados com combustível ou contaminação do sistema de combustível.

Ao encher o recipiente com combustível, adicione um estabilizador de combustível sem álcool de acordo com as instruções especificadas. Se a gasolina do motor não tiver sido tratada com um estabilizador de combustível, deve ser drenada para um recipiente aprovado. Opere o motor até ficar sem combustível.

Óleo do Motor

Enquanto o motor está quente, troque o óleo do motor. Consulte a secção **Mudar o óleo do motor**.

Resolução de Problemas

Assistência

Para obter assistência, contacte o seu revendedor local ou vá a **BRIGGSandSTRATTON.COM** ou ligue para **1-800-444-7774** (nos EUA).

Especificações e peças de substituição

Modelo: 25E300	
Cilindrada	24.898 ci (408 cc)
Cilindro	3.465 in (88 mm)
Curso	2.638 in (67 mm)
Capacidade do Cáter de Óleo	28-32 oz (.82 - .95 L)
Folga da Vela de Ignição	.030 in (.76 mm)
Binário da Vela de Ignição	170 lb-pol. (19,2 Nm)
Espaço de ar do sensor de velocidade	.010 - .015 in (.254 - .381 mm)
Folga da Válvula de Admissão	.004 - .006 in (.10 - .15 mm)
Folga da Válvula de Escape	.006 - .008 in (.15 - .20 mm)

A potência do motor diminuirá 3,5% a cada 300 metros (1000 pés) acima do nível do mar e 1% a cada 5,6 °C (10 °F) acima de 25 °C (77 °F). O motor funcionará de forma satisfatória a um ângulo de até 30°. Consulte no manual do utilizador do equipamento os limites de autorizados para uma operação segura em declives.

Peças de assistência

Para comprar peças de serviço Briggs & Stratton, encontre um Revendedor de Serviços Autorizado em **BRIGGSandSTRATTON.COM**. Vai precisar do seu número de identificação (modelo - tipo - acabamento). Consulte a secção **Características e controlos** para encontrar o número de identificação do seu motor.

Classificações da Potência

A classificação de potência total para modelos individuais de motor a gasolina está de acordo com o código J1940 da SAE (Sociedade de Engenheiros Automóveis) Alimentação de motores de pequeno porte e procedimentos de classificação de torque e é classificada de acordo com a SAE J1995. Os valores de torque são derivados a 2600 rpm para os motores com "rpm" indicado na etiqueta e a 3060 rpm para todos os outros; os valores da potência em cavalos são derivados a 3600 rpm. As curvas de potência bruta podem ser vistas em www.BRIGGSandSTRATTON.COM. Os valores de potência útil são assumidos com a exaustão e purificador do ar instalados, enquanto os valores de potência bruta são recolhidos sem esses acessórios. A potência total do motor será maior que a potência útil do motor e é influenciada por, entre outras coisas, condições ambientais de funcionamento e a variabilidade de motor para motor.

Devido à vasta gama de produtos em que os motores são utilizados, o motor a gasolina não irá desenvolver a potência total classificada quando utilizado num determinado equipamento eléctrico. Esta diferença deve-se a uma variedade de factores incluindo, mas não se limitando a, variedade de componentes de motor (purificador do ar, exaustão, carregador, arrefecimento, carburador, bomba do combustível, etc.), limitações de aplicação, condições ambientais de funcionamento (temperatura, humidade, altitude) e a variabilidade de motor para motor. Devido às limitações de fabrico e de capacidade, a Briggs & Stratton pode substituir um motor de potência superior por este motor.

Garantia

Garantia do Motor Briggs & Stratton®

Em vigor em agosto de 2022

Garantia limitada

A Briggs & Stratton garante que, durante o período de garantia especificado abaixo, irá reparar ou substituir gratuitamente qualquer peça que esteja com defeito de material ou de fabricação, ou ambos, com ou por uma peça nova, recondicionada ou refeita, a critério exclusivo da Briggs & Stratton. Os encargos com o transporte do produto submetido para reparação ou substituição, ao abrigo desta garantia, devem ser suportados pelo comprador. Esta garantia é efetiva e está sujeita aos períodos de tempo e às condições abaixo referidas. Para aceder ao serviço de garantia, contacte o revendedor de serviços autorizado mais próximo indicado no nosso mapa de localizador de revendedor em **BRIGGSandSTRATTON.COM**. O comprador deve contactar o revendedor de serviços autorizado, e então disponibilizar o produto para o revendedor de serviços autorizado fazer a inspeção e testes.

Não existe qualquer outra garantia expressa. As garantias implicadas, incluindo as referentes à comercialização e manutenção com um objetivo em particular, estão limitadas a um ano a contar do momento da aquisição, ou ao que for permitido por lei. Todas as outras garantias implícitas estão excluídas. Exclui-se a responsabilidade por danos incidentais ou consequenciais de acordo com o permitido por lei. Alguns estados ou países não permitem limitações quanto à duração de uma garantia implícita e alguns estados e países não permitem a exclusão ou limitação de danos incidentais ou consequenciais, por isso a limitação e exclusão acima podem não se aplicar ao seu caso. Esta garantia concede-lhe direitos legais específicos. Também poderá ter outros direitos que variam de Estado para Estado, ou de país para país.

Condições Normais da Garantia^{1, 2}

Vanguard®, Série Comercial

Uso privado - 36 meses

Uso comercial - 36 meses

Série XR

Uso privado - 24 meses

Uso comercial - 24 meses

Todos os outros motores com camisa de ferro fundido Dura-Bore™

Uso privado - 24 meses

Uso comercial - 12 meses

Todos os outros motores

Uso privado - 24 meses

Uso comercial - 3 meses

¹ Estas são as nossas condições normais de garantia, mas ocasionalmente pode aplicar-se uma cobertura adicional da garantia não definida à data da publicação. Para obter uma relação das atuais condições da garantia para o seu motor, consulte **BRIGGSandSTRATTON.com** ou contacte o seu revendedor de serviços autorizado Briggs & Stratton.

² Não há qualquer garantia para motores em equipamento utilizado para potência primária em vez de uma utilidade; ou para geradores de reserva utilizados para fins comerciais, veículos utilitários a mais de 40 km/h, ou motores utilizados em competições ou em veículos comerciais ou de aluguer.

* Na Austrália, os nossos produtos vêm com garantias que não podem ser excluídas pela Lei do Consumidor australiana. Tem direito a uma substituição ou reembolso por uma falha grave e a uma compensação por qualquer outra perda ou dano razoavelmente previsível. Também tem direito a ter os bens reparados ou substituídos se os bens não forem de qualidade aceitável e a falha não equivaler a uma falha grave. Para aceder ao serviço de garantia, contacte o revendedor de serviços autorizado mais próximo indicado no nosso mapa de localizador de revendedor em **BRIGGSandSTRATTON.COM**, ligue para 1300 274 447, envie um e-mail para salesenquires@briggsandstratton.com.au ou escreva para Briggs & Stratton Australia Pty Ltd, 1 Moorebank Avenue, NSW, Austrália, 2170.

O período de garantia começa na data da aquisição do primeiro consumidor de retalho ou utilizador final comercial e continua durante o período referido acima. "Uso privado" significa a utilização doméstica e pessoal do agregado familiar por um consumidor final. "Uso comercial" refere-se a todas as outras utilizações incluindo as utilizações com objetivos comerciais, de produzir rendimento ou de aluguer. No âmbito desta

garantia, após a utilização de um produto para fins comerciais, este será considerado um produto para uso comercial.

Não é necessário qualquer registo de garantia para obter garantia em produtos de marca Briggs & Stratton. Guarde o recibo da compra como comprovativo. Se não fornecer o comprovativo da data de aquisição inicial no momento em que é pedida a assistência de garantia, será considerada a data de fabrico do produto para determinar o período de garantia.

Sobre a sua garantia

Esta garantia limitada abrange exclusivamente materiais relativos ao motor e/ou mão-de-obra, e não a substituição ou o reembolso do equipamento no qual o motor está montado. As intervenções de manutenção de rotina, as afinações, os ajustes, ou normal desgaste e rutura não estão abrangidos por esta garantia. De igual modo, a garantia não se aplica se o motor tiver sido alterado ou modificado ou se o número de série do motor tiver sido adulterado ou removido. Esta garantia não abrange danos do motor ou problemas de desempenho causados por:

1. Utilização de peças que não são originais da Briggs & Stratton;
2. funcionamento do motor com óleo lubrificante insuficiente, contaminado ou de qualidade inadequada;
3. Uso de combustível contaminado ou fora do prazo, gasolina formulada com mais de 10% de etanol, ou recurso a combustíveis alternativos como gás de petróleo liquefeito ou gás natural em motores não concebidos/fabricados de origem pela Briggs & Stratton para funcionar com estes combustíveis;
4. Sujidade que tenha penetrado no motor devido a deficiências na manutenção ou montagem do purificador de ar;
5. Golpe num objecto provocado pela lâmina de corte de um cortador de relva rotativo, adaptadores de lâminas soltos ou mal montados, rotores, ou outros dispositivos acoplados à cambota, ou aperto excessivo da correia em V;
6. Peças ou montagens associadas como embraiagens, transmissões, controlos do equipamento, etc., não fornecidos pela Briggs & Stratton;
7. Sobreaquecimento devido a pedaços de erva, sujidade e resíduos, ou ninhos de roedores que entopem ou colmatam as aletas de arrefecimento ou a área do volante do motor, ou por operação do motor sem ventilação suficiente;
8. Demasiada vibração devida a velocidade excessiva, montagem do motor mal apertada, lâminas de corte ou rotores soltos ou desequilibrados, ou acoplagem deficiente de componentes do equipamento à cambota;
9. Má utilização, falta de manutenção de rotina, transporte, manuseamento, ou armazenagem do equipamento, ou montagem inadequada do motor.

O serviço de garantia apenas se encontra disponível através dos revendedores de serviços autorizados Briggs & Stratton. Localize o seu revendedor de serviços autorizado mais próximo no nosso mapa de localizador de revendedor em BRIGGSandSTRATTON.COM ou ligando para 1-800-444-7774 (nos EUA).

80114782 (Revisão A)

Allmän information



Denna bruksanvisning innehåller säkerhetsinformation om risker i samband med motorn och hur de kan förhindras. Den innehåller även information om korrekt användning och underhåll av motorn. Det är viktigt att du läser igenom, förstår och följer dessa instruktioner. **Spara bruksanvisningen för framtida bruk.**

ANM.: Bilder och illustrationerna i bruksanvisningen är enbart avsedda för information och kan avvika från din modell. Använd de bilder som anges för din motorkonfiguration. Rådfråga om nödvändigt en auktoriserad serviceverkstad.

Spara uppgifterna om motorns modell, serienummer, inställning och inköpsdatum för att skaffa reservdelar och teknisk hjälp. Dessa nummer finns på motorn. Se avsnittet **Funktioner och reglage.**

Inköpsdatum	
Motorns modell, serienummer och inställning	
Motorns serienummer	

Kontaktuppgifter till vårt Europa-kontor

Vid frågor relaterade till utsläpp i Europa, kontakta vårt Europa-kontor på adressen:

Max-Born-Straße 2, 68519 Viernheim, Tyskland.

Europeiska unionen (EU) steg V (5): Koldioxidvärden (CO2)

Ange CO2 i sökfönstret på BriggsandStratton.com för att hitta koldioxidvärden för Briggs & Strattons typgodkända motorer för EU.

Förarens säkerhet

Säkerhetssymboler och signalord



Varningssymbolen indikerar information om risker som kan leda till personskador. Signalorden (**FARA**, **VARNING** eller **FÖRSIKTIGHET**) används för att indikera sannolikheten och den potentiella svårighetsgraden av skada. Därutöver används en farosymbol för att indikera typ av fara.

FARA indikerar en risk som, om den inte undviks, **kommer att** leda till allvarliga personskador eller dödsfall.

VARNING indikerar en risk som, om den inte undviks, **kan** leda till allvarlig personskada eller dödsfall.

FÖRSIKTIGHET indikerar en risk som, om den inte undviks, **kan** leda till lindrig eller måttlig personskada.

OBS anger viktig information, som dock inte anses kopplad till fara.

Farosymboler och deras innebörd

Säkerhetsinformation om faror som kan leda till personskador.	Läs och sätt dig in i handboken innan du använder eller servar enheten.
Risk för brand	Explosionsrisk
Risk för elstötar	Risk för giftiga gaser
Risk för heta ytor	Risk för bakslag
Amputeringsrisk - Rörliga delar	Bränslenivå - Maximal Överfyll inte

Säkerhetsmeddelanden



VARNING

Briggs & Stratton®-motorerna är inte konstruerade för att användas vid drivning av: gokartbilar, barn-, fritids- och sportfordon för terrängkörning (ATV:er), motorcyklar, svävare, flygande apparater eller fordon som används för tävlingsbruk vilka inte har godkänts av Briggs & Stratton. För information om konkurrerande tävlingsprodukter, se www.briggsracing.com. För användning med bruksterrängfordon och tvåsitsiga ATV:er, kontakta Briggs & Stratton Power Application Center, 1-866-927-3349. Olämplig användning av motorn kan leda till allvarliga personskador eller dödsfall.

Återvinningsinformation



Återvinn alla kartonger, lådor, använd olja och batterier i enlighet med tillämplig lagstiftning.

Funktioner och reglage

Motorreglage

Jämför indexbokstäverna i bilderna 1, 2 och 3 med motorreglagen¹ i följande lista:

- Motorbeteckning **Modell - Typ - Trimming**
- Bränsletank och lock
- Högmonterat luftfilter
- Lågmonterat luftfilter
- Startmotorsnörets handtag
- Övre oljemätsticka
- Nedre oljemätsticka (om sådan finns)
- Oljepåfyllning
- Oljeavtappningsplugg
- Ljuddämpare, ljuddämparskydd (om sådant finns), gnistskydd (om sådant finns)
- Elektroniskt gasreglage (om sådant finns)
- Kontrollera motorlampan (om sådan finns)
- Fläktkåpa
- Tändningsnyckel (om sådan finns)

¹Vissa motorer och utrustningar har fjärreglage. Se i utrustningens handbok var fjärreglagen är placerade och hur de används.

Motorreglagesymboler och deras innebörd

Motorvarvtal – HÖGT	Motorvarvtal – LÅGT
Motor – STOP (STOPP)	Motor – START (START)
Motor – ON (PÅ)	

Körning



VARNING

Bränsleångorna är lättantändliga och explosiva. Brand eller explosion kan orsaka brännskador eller dödsfall.

Om du känner gaslukt

- Starta inte motorn.
- Slå inte på några strömbrytare.
- Använd inte telefoner inom området.
- Evakuera området.
- Kontakta brandkåren.

När du kör utrustningen

- Luta inte motorn eller utrustningen i en sådan vinkel att bränsle spills ut.

När du flyttar utrustningens placering

- Se till att bränsletanken är TOM eller att bränsleventilen sår i läget STÄNGD.

Kontrollera oljenivån

Före kontroll av oljenivå eller påfyllning av olja

- Se till att motorn står horisontellt.
- Gör rent kring oljeöppningen.
- Se avsnittet **Specifikationer** angående oljevolym.

MÅRK

Motorn levereras från Briggs & Stratton utan olja. Vissa utrustningstillverkare eller återförsäljare kan ha fyllt på motorn med olja. Kontrollera oljenivån innan du startar motorn för första gången. Fyll på olja enligt instruktionerna i denna handbok. Om du startar motorn utan olja kommer den att skadas och då täcker inte garantin reparationen.

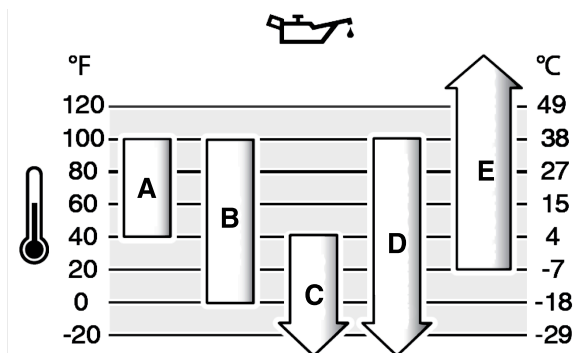
1. Ta ut oljemätstickan (bild 4 A, B, C). Torka av oljemätstickan (A, B, C) med en trasa.
2. Sätt i oljemätstickan (bild 4 A, B, C).
 - a. Lågmonterad mätsticka, om sådan finns, (bild 4 B): Se till att oljemätstickans (B) oljepåfyllningsmarkering är riktad uppåt.
 - b. Kort oljemätsticka eller oljepåfyllningslock med mätsticka, om sådan finns (bild 4 C): Vrid och dra åt mätstickan (C).
3. Ta ut oljemätstickan igen (bild 4 A, B, C).
4. Kontrollera oljenivån. Kontrollera att oljenivån når upp till fullmarkeringen (bild 4 D) på oljemätstickan.
5. Om oljenivån är för låg: fyll långsamt på olja i oljepåfyllningsöppningen (bild 5 E, F). Fyll inte på för mycket olja.
6. Vänta en minut och kontrollera oljenivån igen. Se till att oljenivån är korrekt.
7. Sätt i oljemätstickan (bild 4 A, B, C).

Oljerekommendationer

Oljevolym: Se avsnittet **Specifikationer**.

För bästa prestanda rekommenderar vi Briggs & Stratton® garanticerterade olja. Annan renande olja av hög kvalitet som är godkänd enligt SF, SG, SH, SJ eller högre kvalitetsnorm kan användas. Använd inga specialtillsatser.

Se tabellen för val av rätt viskositet för förväntad utomhustemperatur. Motorer på de flesta utomhusmaskiner fungerar bra med syntetolja 5W-30. Om utrustningen körs vid hög temperatur ger syntetoljan Vanguard® 15W-50 det bästa skyddet.



A	SAE 30 - Under 40 °F (4 °C) kan SAE 30 göra motorn svårstartad.
B	10W-30 - Över 80 °F (27 °C) kan 10W-30 orsaka högre oljeförbrukning. Kontrollera oljenivån ofta.

C	5W-30
D	Syntetolja 5W-30
E	Vanguard® syntetolja 15W-50

Skydd mot för låg oljenivå (om sådant finns)

Vissa motorer är utrustade med en sensor för låg oljenivå. Om oljenivån är låg kommer sensor antingen att visa en varningslampa eller stanna motorn. Stanna motorn och följ stegen nedan innan du startar motorn igen.

- Se till att motorn står horisontellt.
- Kontrollera oljenivån. Se avsnittet **Kontrollera oljenivån**.
- Fyll på rätt mängd olja om oljenivån är låg. Starta motorn och kontrollera att varningslampan (om sådan finns) inte lyser.
- Om oljenivån inte är låg ska motorn inte startas. Kontakta en Briggs & Stratton- auktoriserad serviceverkstad för att justera oljeproblemet.

Bränslerekommendationer

Bränslet måste uppfylla följande krav:

- Ren, färsk, blyfri bensin.
- Minst 87 oktan/87 AKI (91 RON). Användning på hög höjd, se nedan.
- Bensin med upp till 10 % etanol kan användas.

MÅRK

Använd inte bensin som inte godkänts, t.ex. E15 och E85. Blanda inte olja i bensinen och gör inga ändringar i motorn för körning på alternativa bränslen. Användning av icke-godkända bränslen kan skada motorns delar och detta täcks inte av garantin.

För att skydda bränslesystemet från att det bildas gummi eller att korrosion uppstår, blanda i en alkoholfri bränslestabilisator och etanolbehandling i bränslet. Se avsnittet **Förvaring**. Allt bränsle är inte likadant. Om problem uppstår med start eller prestanda, byt bränsleleverantör eller bränslemärke. Denna motor är kalibrerad för drift med bensin. Avgaskontrollsystemet för motorer med förgasare är EM (motormodifieringar). Avgaskontrollsystemen för motorer med elektronisk bränsleinsprutning är ECM (motorkontrollmodul), MFI (flerinsprutningssystem), TBI (gasspjällshus bränsleinsprutning) och om tillämpligt en O2S (syresensor).

Hög höjd

På höjder över 5 000 fot (1 524 meter) kan bensin med minst 85 oktan/85 AKI (89 RON) användas.

För förgasarmotorer krävs justering för körning på hög höjd för oförändrad prestanda. Användning utan denna justering leder till sämre prestanda, högre bränsleförbrukning och högre utsläpp. Kontakta en auktoriserad serviceverkstad för Briggs & Stratton för information om justering för hög höjd. Motorn bör inte köras på höjder under 2 500 fot (762 meter) med höghöjdsjustering.

Motorer med elektronisk bränsleinjektion (EFI) behöver inte justeras för hög höjd.

Fylla på bränsle



VARNING

Bränslet och dess ångor är brandfarliga och kan explodera. Brand eller explosion kan orsaka brännskador eller dödsfall.

När du fyller på bränsle

- Stäng av motorn. Innan du tar av bränslelocket, vänta i minst två (2) minuter för att se till att motorn har svalnat.
- Fyll på bränsletanken utomhus eller i ett område med bra luftflöde.
- Överfyll inte bränsletanken. För att bränslet ska kunna expandera får inte mer bränsle fyllas på än till nederkanten av bränsletankens hals.
- Förvara bränsle på avstånd från gnistor, öppen eld, gaskök, värme- och andra antändningskällor.
- Kontrollera ofta att det inte finns sprickor eller läckor på bränsleledningar, tank, lock och kopplingar. Byt ut skadade delar.
- Låt utspillt bränsle torka först innan du startar motorn.

1. Rengör området runt tanklocket från smuts och skräp. Ta bort tanklocket.
2. Fyll på bränsletanken (A, bild 6) med bränsle. Eftersom bränsle kan expandera får inte mer bränsle fyllas på än till nederkanten av bränslepåfyllningsröret (B).
3. Sätt på tanklocket.

Starta motorn



VARNING

VARNING FÖR GIFTIG GAS. Avgaser från motorn innehåller koloxid, en giftig gas som kan döda på bara några minuter. Även om du inte känner lukten av avgaser, kan du ändå utsättas för farlig koloxid. Sök dig till frisk luft OMEDELBART om du känner dig illamående, yr eller matt när du använder produkten. Uppsök läkare. Du kan vara koloxidförgiftad.

- Koloxid kan samlas i vistelseutrymmen. Ha produkten igång ENDAST utomhus och långt från fönster, dörrar och ventiler för att minska risken för att koloxid samlas.
- Montera batteridrivna koloxidlarm eller eldrivna koloxidlarm med reservbatteri enligt tillverkarens instruktioner. Brandlarm kan inte detektera koloxid.
- Ha INTE produkten igång inomhus, i garage, källare, kryputrymmen, skjul eller andra slutna utrymmen, även om det finns fläktar eller öppna dörrar och fönster för ventilation. Efter att produkten har varit igång kan koloxid snabbt samlas i den här typen av utrymmen och stanna kvar i många timmar.
- Placera ALLTID denna produkt i lå och rikta avgasröret bort från vistelseutrymmen.



VARNING

Bränslet och dess ångor är brandfarliga och kan explodera. Brand eller explosion kan orsaka brännskador eller dödsfall.

När du startar motorn

- Kontrollera att tändstift, ljuddämpare, tanklock och luftrenare (om sådan finns) är korrekt monterade.
- Dra inte runt motorn om tändstiftet är borttaget.
- Om motorn flödar ska du sätta choken (om sådan finns) i läget ÖPPNA/KÖR. Flytta chokereglaget (om sådant finns) till läget SNABBT och dra igång motorn tills den startar.
- Starta inte motorn om det finns naturgas eller flytande gasbränsle som läcker i området.
- Använd inte trycksatta startvätskor eftersom ångorna är lättantändliga.



VARNING

Roterande delar kan snärja in händer, fötter, hår, klädesplagg eller tillbehör och orsaka svåra skärskador eller lemlästning.

- Kör utrustningen med skydden ordentligt på plats.
- Håll händer och fötter på avstånd från snurrande delar.
- Avlägsna smycken och se till att långt hår inte kommer i närheten av roterande delar.
- Bär inte löst sittande kläder eller andra föremål som kan trassla in sig.



VARNING

Genom snabb indragning av startsnöret (bakslag) dras din hand och arm mot motorn innan du hinner släppa taget. Det kan leda till frakturer, blåmärken och stukningar.

- Starta motorn genom att först dra ut startsnöret långsamt tills ett motstånd känns och sedan snabbt för att undvika bakslag.
- Koppla ur eller ta bort all extern utrustning och motorbelastning innan du startar motorn.
- Se till att direktkopplade utrustningsdelar som t.ex. blad, impeller, remskivor, kuggkransar osv. är ordentligt fästa.

ANM.: Maskinen kan ha fjärreglage. Se i utrustningens handbok var fjärreglagen är placerade och hur de används.

Elstart

1. Kontrollera oljenivån. Se avsnittet **Kontrollera oljenivån**.
2. Koppla bort maskinens körreglage, om monterade.
3. Ställ bränsleventilen, om sådan finns, i läget ÖPPNA.
4. Ställ nyckelbrytaren (bild 7 A) i läget START.

MÄRK När du släpper nyckelbrytaren (bild 7 A) flyttas nyckelbrytaren till PÅ-läget. Motorn kommer att fortsätta att dras runt om den inte startar. Startsekvensen kan avbrytas genom flyttning av nyckelbrytaren (A) till läget AV. Utför följande steg om motorn inte startar.

5. Kontrollera att nyckelbrytaren (A, bild 7) står i läget AV. Vänta i två sekunder.
6. Ställ nyckelbrytaren (bild 7 A) i läget START.

7. Om motorn inte startar: avbryt startsekvensen och kontakta en Briggs & Stratton auktoriserad serviceverkstad.

Snörstart

MÄRK Den rekommenderade metoden för att starta din motor är elstart.

1. Kontrollera motorns oljenivå. Se avsnittet **Kontrollera oljenivån**.
2. Koppla bort maskinens körreglage, om monterade.
3. Se till att motorn är ansluten till ett laddat 12 volts batteri.
4. Ställ bränsleventilen, om sådan finns, i läget ÖPPNA.
5. Ställ nyckelbrytaren (A, bild 8) i läget PÅ. Dra sedan i startsnörets handtag (B).

Stanna motorn

1. Ställ nyckelbrytaren (bild 7, A) i läget AV.
2. Ta ur nyckeln. Förvara den på en säker plats, ej åtkomlig för barn.
3. Vänta tills motorn har stannat och ställ bränsleavstängningsventilen i läget STÅNGD.

Motorvarningslampan

Motorvarningslampan (B, bild 7) signalerar om ett problem med motorn. Om motorvarningslampan fortsätter att LYSA när motorn är igång, kontakta en Briggs & Stratton-auktoriseringad serviceverkstad för att justera problemet så snart som möjligt eller när ditt arbete är klart. Om motorvarningslampan fortsätter att LYSA och motorn har stannat automatiskt, utför följande steg:

1. Se till att motorn står horisontellt.
2. Kontrollera oljenivån. Se avsnittet **Kontrollera oljenivån**.
3. Starta motorn. Se avsnittet **Starta motorn**.
4. Om motorvarningslampan fortsätter att LYSA och motorn fortsätter att stanna automatiskt, använd inte motorn. Kontakta omedelbart en Briggs & Stratton-auktoriseringad serviceverkstad för att justera problemet.

Underhåll

Underhållsinformation



VARNING

Bränslet och dess ångor är brandfarliga och kan explodera. Brand eller explosion kan orsaka brännskador eller dödsfall.

Om enheten måste tippas under underhållsarbetet, se till att bränsletanken (om den är monterad på motorn) är tom och att tändstiftssidan är uppåtvänd. Om bränsletanken inte är tom, kan bränsle läcka ut och orsaka brand eller explosion. Om motorn tippas åt något annat håll, kan den vara svår att starta på grund av att det har kommit olja eller bränsle på luftfiltret och/eller tändstiftet.



VARNING

Gnistor från motorn kan orsaka elstötar, brand eller explosion och kan leda till intrassling, lemlästning eller skärskador.

Innan du gör några justeringar eller reparationer:

- Lossa tändstiftskablarna och håll dem borta från tändstiften.
- Koppla bort batterikabeln från batteriets minuspol (endast motorer med elstart).
- Använd endast lämpliga verktyg.

När du kontrollerar tändningssystemet:

- Använd en godkänd gnistprovare.
- Kontrollera inte tändstiftets gnista med tändstiftet bortmonterat.



VARNING

Utbytesdelarna måste av samma konstruktion och installeras i samma position som originaldelarna. Andra delar kan skada maskinen eller orsaka personskador.

MÄRK

Alla de komponenter som använts för att bygga denna motor måste sitta på plats för korrekt körning.

Vi rekommenderar att en Briggs & Stratton auktoriserad serviceverkstad anlitas för allt underhåll och service av motorn och dess delar.

Utsläppskontrollservice

För underhåll, byte eller reparation av anordningar och system för avgasreglering, kontakta en kvalificerad reparationsverkstad eller servicetekniker för motorer som inte är avsedda att köras på vägar. För service av utsläppsreglering utan kostnad måste arbetet utföras av en av tillverkaren auktoriserad återförsäljare. Se Instruktioner om utsläppskontroll.

Underhållsschema

Första 5 timmarna
<ul style="list-style-type: none">Byta olja.
Intervall på 8 timmar eller dagligen
<ul style="list-style-type: none">Kontrollera motorns oljenivå.Rengör området omkring ljuddämparen.Rensa luftintagsgallret.
Intervall på 100 timmar eller årligen
<ul style="list-style-type: none">Serva avgassystemet.
Intervall på 200 timmar eller årligen
<ul style="list-style-type: none">Byt motorolja.Rengör luftfiltret¹
Intervall 600 timmar eller 2 år
<ul style="list-style-type: none">Byt luftfilter.Byt bränslefilter¹
Årligen
<ul style="list-style-type: none">Byt tändstift.Serva bränslesystemet.Serva kylsystemet¹.Kontrollera ventilspelet².

¹Rengör oftare under dammiga förhållanden eller när det finns fler partiklar i luften.

²Krävs endast vid motorproblem.

Elektronisk bränsleinjektionsystem (EFI)

EFI-systemet övervakar motorns temperatur och varvtal samt batterispänningen vid motorns start och uppvärmning. Det finns inga inställningar att göra på systemet. Vänd dig till närmaste Briggs & Strattons auktoriserade serviceverkstad om du får problem med start och drift av motorn.

MÄRK Se till att följa stegen nedan så att EFI-systemet inte skadas.

- Starta ALDRIG motorn om batterikablarna är lösa.
- Vrid nyckeln till läget AV innan du kopplar bort, tar bort och/eller monterar batteriet.
- Starta ALDRIG motorn med en batteriladdare.
- Koppla INTE bort batterikablarna när motorn är igång.
- När du kopplar in batteriet, ska du först ansluta pluskabeln (+) och sedan minuskabeln (-) när batteriet kopplas in igen.
- Om du vill ladda batteriet, ska du vrida tändningen till läget AV och lossa minuskabeln (-) från batteriet.
- Spruta ALDRIG vatten direkt på den elektroniska styrmodulen.

Underhåll av tändstift

Kontrollera tändstift (A, bild 9) med ett bladmått (B). Justera tändstiftsgapet vid behov. Montera och dra åt tändstiftet till rekommenderat vridmoment. För justering av elektroavstånd och vridmoment, se avsnittet **Specifikationer**.

För att komma åt tändstiftet, se till att motorn är i läget AV. Lossa tändstiftskabeln (D, bild 10) och håll den borta från tändstiftet (E).

På vissa EFI-ETC-modeller måste värmeskölden tas bort för åtkomst till tändstiftet. Följ dessa steg för att få åtkomst till tändstiftet.

- Lossa den röda fliken (A, bild 11) från kontakten (B)
- Tryck in den svarta fliken (C, bild 11) och dra samtidigt ut kontakten (B) från tändspolen (D).
- Ta bort smutsskyddet (E, bild 11).
- Demontera den övre skruven (F, bild 11) och sidoskruven (G) på fästet (H).
- Ta bort värmeskölden (H, bild 11).
- Ta bort tändspolen (D, bild 11).
- Ta bort tändstiftet (I, bild 12).
- Montera tändspolen (D, bild 11).
- Montera fästet (H, bild 11).
- Montera den övre skruven (F, bild 11) och sidoskruven (G) på fästet (H).

- Montera smutsskyddet (E, bild 11).
- Montera kontakten (B, bild 11) på tändspolen (D).
- Lås den röda fliken (A, bild 11).

Service av avgas- och kylsystem



VARNING Under körningen blir motorn och ljuddämparen varma. Om du vidrör en varm motor kan brännskador uppstå.

Brännbart material som till exempel löv, gräs och buskar kan fatta eld.

- Stanna motorn och låt den svalna i minst två (2) minuter innan du vidrör motorn eller ljuddämparen. Kontrollera att det är säkert att vidröra motorn och ljuddämparen.
- Ta bort skräp från ljuddämparen och motorn.

Det är olagligt enligt Naturresurslag i Kalifornien (California Public Resource Code), sektion 4442, att använda maskinen på skogsbeklädd, buskbeklädd eller gräsbeklädd mark om inte avgassystemet är utrustat med ett gnistskydd, som det beskrivs i sektion 4442, samt att det är underhållet och i fungerande skick. Andra delstater eller rättsområden kan ha liknande lagar, se federala förordningar 36 CFR del 261.52. Kontakta den ursprungliga tillverkaren, återförsäljaren eller säljaren av utrustningen, för att få en gnistfångare som är utformad för avgassystemet i denna motor.

Detta är en luftkyld motor. Smuts eller främmande material kan förhindra luftflödet och orsaka överhettning av motorn. Det medför försämrade motoreffekt och påverkar motorns livslängd negativt. Kylflänsarna på cylindern kan fånga främmande material som inte kan tas bort utan demontering av motorn. Låt en auktoriserad Briggs & Stratton-serviceverkstad undersöka och rengöra luftkylningssystemet. Se **Underhållsschemat**.

- Inget brännbart material får finnas omkring eller bakom ljuddämparen.
- Rensa allt skräp från fläktkåpan, ljuddämparen och cylinderområdet med en borste eller torr trasa. Rengör INTE motorn med vatten.
- Kontrollera att länkar, fjädrar och reglage är rena.
- Kontrollera ljuddämparen om den har sprickor, korrosion eller andra skador.
- Ta bort avledningsröret eller gnistskyddet, om sådant finns, och kontrollera eventuella skador eller sotansamlingar. Rengör eller montera alltid utbytesdelar innan du använder utrustningen.
- Om de är installerade, se till att oljekylarflänsarna är rena.

Byta motorolja



VARNING Bränslet och dess ångor är brandfarliga och kan explodera. Brand eller explosion kan orsaka brännskador eller dödsfall.

Under körningen blir motorn och ljuddämparen varma. Om du vidrör en varm motor kan brännskador uppstå.

- Om du tappar ur olja från det övre oljeröret måste bränsletanken vara tom. Om den inte är tom kan bränsle rinna ut och orsaka brand eller explosion.
- Stanna motorn och låt den svalna i minst två (2) minuter innan du vidrör motorn eller ljuddämparen. Kontrollera att det är säkert att vidröra motorn och ljuddämparen.

Använd olja är farligt avfall och måste avyttras på ett lämpligt sätt. Blanda inte med hushållsavfall. Kontakta din lokala myndighet, servicecenter eller återförsäljare för information om säkert avyttring eller om återvinningsanläggningar.

Urtappning av olja

- Medan motorn är AV men fortfarande varm ska du lossa tändstiftskabeln (D, bild 10) och hålla den borta från tändstiftet (E). För motormodeller som har en värmesköld (bild 11), lossa tändstiftskabeln enligt följande:
 - Lossa den röda fliken (A, bild 11) från kontakten (B).
 - Tryck in den svarta fliken (C, bild 11) och dra samtidigt ut kontakten (B) från spolen (D)
- Ta ut oljemätstickan (A, B, C, bild 4).
- Skruva ur den ena oljeavtappningspluggen (F, G, bild 13). Tappa ut oljan i en godkänd behållare.
- Montera och dra åt oljeavtappningspluggen (F, G, bild 13).

Påfyllning av olja

- Se till att motorn står horisontellt.
- Gör rent kring oljepåfyllningsöppningen.
- Se avsnittet **Specifikationer** angående oljevolymer.

- Ta ut oljemätstickan (A, B, C, bild 4).

- Fyll på olja långsamt i någon av oljepåfyllningsöppningarna (E, F, bild 5). Fyll inte på för mycket olja.
- Sätt i oljemätstickan (A, B, C, bild 4).
 - Förlängd oljesticka, om sådan finns (B, bild 4): Se till att oljemätstickans (B) oljepåfyllningsmarkering är riktad uppåt.
 - Kort oljemätsticka eller oljepåfyllningslock med mätsticka, om sådan finns (C, bild 4): Sätt tillbaka oljemätstickan (C) och dra åt.
- Ta ut oljemätstickan (A, B, C, bild 4) igen.
- Kontrollera oljenivån. Kontrollera att rätt oljenivån når upp till fullmarkeringen (D, bild 4) på oljemätstickan.
- Sätt i oljemätstickan igen (A, B, C, bild 4).
- Anslut tändstiftskabeln (D, 10) till tändstiftet (E). För motormodeller som har en värmesköld (bild 11), anslut tändstiftskabeln enligt följande:
 - Montera kontakten (B, bild 11).
 - Lås den röda fiiken (A, bild 11).

Service av luftfilter



VARNING
Bränsleångorna är lättantändliga och explosiva. Brand eller explosion kan orsaka brännskador eller dödsfall.

- Starta eller kör aldrig motorn utan luftrenare (om en sådan finns) eller luftfilter (om ett sådant finns).

MÅRK

Använd inte tryckluft eller lösningsmedel för att rengöra filtret. Tryckluft kan skada filtret och lösningsmedel löser upp filtret.

Se **Underhållstabell** beträffande service.

De olika modellerna har antingen filter av skum eller av papper. Vissa modeller kan också ha en förenare som kan rengöras och återanvändas. Jämför bilderna i bruksanvisningen med typen på din motor och utför service enligt nedan.

Pappersluftfilter

- Lossa fästet/fästena (C, bild 14).
- Ta bort kåpan (A, bild 14) och filtret (B).
- Lossa skräp genom att knacka filtret (B, bild 14) lätt mot en hård yta. Byt till ett nytt filter om det gamla är smutsigt.
- Montera filtret (B, bild 14).
- Montera kåpan (A, bild 14) med fästet/fästena (C). Se till att fästet/fästena sitter ordentligt.

Luftfilter i papper – låg profil

- Flytta spärren (A, bild 15) för att låsa upp locket (C).
- Tryck in flikarna (B, bild 15) och ta bort locket (C).
- Ta bort filtret (D, bild 15).
- Lossa skräp genom att knacka filtret (D, bild 15) lätt mot en hård yta. Byt till ett nytt filter om det gamla är smutsigt.
- Montera filtret (D, bild 15).
- Montera kåpan (C, bild 15). Flytta spärren (A) till det låsta läget.

ANM.: Kontrollera hur skumtätningen sitter på plats (E, bild 15). Se till att skumtätningen runt omkring sitter korrekt i skåran (F).

Service av bränslesystem



VARNING
Bränslet och dess ångor är brandfarliga och kan explodera. Brand eller explosion kan orsaka brännskador eller dödsfall.

- Förvara bränsle på avstånd från gnistor, öppen eld, gaskök, värme- och andra antändningskällor.
- Kontrollera ofta att det inte finns sprickor eller läckor på bränsleledningar, tank, lock och kopplingar. Byt ut skadade delar.
- Låt utspillt bränsle torka först innan du startar motorn.

Bränslefilter, om sådant finns

- Tappa ur bränsletanken eller stäng bränsleventilen före rengöring eller byte av bränslefilter (A, bild 16). Om bränsletanken inte har tömts kan bränsle läcka ut och orsaka brand eller explosion.
- Kläm samman flikarna (B, bild 16) på klämmorna (C) med en tång och ta bort klämmorna från bränslefilter (A).

- Vrid och dra av bränsleslangarna (D, bild 16) från bränslefilteret.
- Inspektera bränsleslangarna (D, bild 16) och titta efter sprickor och läckor. Byt bränsleslangarna vid behov.
- Ersätt bränslefilteret (A, bild 16).
- Anslut bränsleslangarna (D, bild 16) med klämmorna (C).

Bränslefilter, om sådant finns

- Ta av tanklocket (A, bild 17).
- Ta bort bränslefilteret (B, bild 17).
- Rengör eller byt ut bränslefilteret om det är smutsigt. Använd en originalreservdel om du byter ut bränslefilteret.

Förvaring Bränslesystem

Se bild 18.



VARNING
Bränslet och dess ångor är brandfarliga och kan explodera. Brand eller explosion kan orsaka brännskador eller dödsfall.

Förvaring av bränsle

- Eftersom kontrollampor eller andra antändningskällor kan orsaka explosioner, ska bränsle eller utrustning förvaras på avstånd från ugnar, brännare, vattenvärmare och andra apparater som har kontrollampor.

Förvara motorn horisontellt (normalt driftläge). Fyll på bränsletanken (A, bild 18) med bränsle. Fyll inte på mer än till bränsletankens hals (B) så att bränslet kan expandera.

Bränsle kan bli avslaget om det förvaras i en behållare i mer än 30 dagar. En alkoholfri bränslestabilisator och etanoltillsats i bränslebehållaren rekommenderas. Detta håller bränslet intakt och minskar risken för bränslerelaterade problem eller kontaminering av bränslesystemet.

Vid tankning ska en alkoholfri bränslestabilisator tillsättas enligt tillverkarens specifikationer. Bensen i motorn utan bränslestabilisator måste tömmas ut i en godkänd behållare. Kör motorn tills bränslet tar slut.

Motorolja

Byt motorolja medan motorn fortfarande är varm. Se avsnittet **Byt av motoroljan**.

Felsökning Assistans

Kontakta närmaste återförsäljare, besök BRIGGSandSTRATTON.COM eller ring **1-800-444-7774** (i USA) för hjälp.

Specifikationer och reservdelar

Modell: 25E300	
Slagvolym	24.898 kubiktum (408 cm ³)
Cylinderdiameter	3.465 mm (88 tum)
Slaglängd	2.638 mm (67 tum)
Oljevolymer	28-32 oz (.82 - .95 l)
Tändstiftelktrodstånd	.030 mm (.76 tum)
Åtdragningsmoment, tändstift	170 tum-lb (19,2 Nm)
Hastighetsgivarens luftgap	.010 - .015 mm (.254 - .381 tum)
Ventilspele, insug	.004 - .006 mm (.10 - .15 tum)
Ventilspele, avgasventil	.006 - .008 mm (.15 - .20 tum)

Motoreffekten minskar med 3,5 % per 300 m (1 000 fot) över havsytan och 1 % per 5,6 °C (10 °F) över 25 °C (77 °F). Motorn arbetar tillfredsställande i upp till 30° vinkel. Se maskintillverkarens bruksanvisning för säkerhetsbegränsningar för arbete på sluttningar.

Reservdelar

Sök en auktoriserad serviceverkstad på BRIGGSandSTRATTON.COM för beställning av Briggs & Stratton reservdelar. Du kommer att behöva ditt identifieringsnummer (modell – typ – trim). Se avsnittet **Funktioner och reglage** angående motorns identifieringsnummer.

Nominell effekt

Den nominella bruttoeffekten för enskilda bensenmotormodeller märks enligt SAE (Society of Automotive Engineers) J1940, procedur för effekt- och vridmomentklassning

för små motorer, och klassas enligt SAE J1995. Vridmomentvärden mäts vid 2 600 rpm på motorer med "rpm" angivet på märkningen och 3 060 rpm på alla andra motorer. Värden i hästkrafter mäts vid 3 600 rpm. Nettoeffektkurvorna finns på www.BRIGGSandSTRATTON.COM. Nettoeffekten mäts med monterade avgassystem och luftrenare, medan bruttoeffekten mäts utan dessa tillbehör. Motorers verkliga bruttoeffekt blir högre än motorernas nettoeffekt och påverkas bland annat av driftsmiljö och skillnader mellan olika motorer. Med tanke på det breda utbudet av produkter med motorer monterade, är det inte säkert att bensenmotorn utvecklar den klassificerade bruttoeffekten när den används på en viss utrustning. Skillnaden beror på ett antal faktorer, bland annat olika motordelar (luftrenare, avgassystem, laddning, kylning, förgasare, bensinpump osv.), begränsning i tillämpningen, omgivande driftsmiljö (temperatur, luftfuktighet, höjd över havet) och variationer mellan motorexemplar. På grund av tillverknings- och kapacitetsbegränsningar kan Briggs & Stratton ersätta denna motor med en motor med högre nominell effekt.

Garanti

Garanti för Briggs & Stratton®-motorer

Gäller fr.o.m. augusti 2022

Begränsad garanti

Briggs & Stratton garanterar att, under garantiperioden som specificeras härunder, utan kostnad kommer att reparera eller byta ut delar med materialfel och/eller tillverkningsfel med ny, renoverad eller omtillverkad del enligt Briggs & Strattons eget gottfinnande. Köparen står själv för transportkostnaden för produkt som lämnats in för reparation eller utbyte. Garantin gäller under nedan angivna perioder och enligt nedan angivna villkor. För garantiservice hittar du närmaste auktoriserade serviceverkstad på vår karta Hitta återförsäljare på BRIGGSandSTRATTON.COM. Köparen måste kontakta den auktoriserade servicehandlare och sedan göra produkten tillgänglig för den auktoriserade serviceverkstaden för inspektion och test.

Det finns ingen annan uttrycklig garanti. Underförstådda garantier, bland annat om säljbarhet och lämplighet för ett specifikt syfte, är begränsade till ett år från och med inköpet eller i den grad det är tillåtet enligt lag. Alla andra underförstådda garantier frånskrivs. Ansvarsgaranti vid uppkommande skador och följdskador exkluderas i den grad det är tillåtet enligt lag. Vissa länder eller delstater medger inte begränsning av giltighetstiden för underförstådda garantier och vissa tillåter inte undantag från eller begränsning av ansvaret för följdskador, varför undantag från ovanstående kan gälla för vissa köpare. Denna garanti ger specifika lagstadgade rättigheter, men det kan även finnas andra rättigheter som varierar från land till land eller stat till stat.

Standardgarantivillkor ^{1, 2}
Vanguard®; Commercial Series
Privat bruk - 36 månader
Kommersiellt bruk - 36 månader
XR-serien
Privat bruk - 24 månader
Kommersiellt bruk - 24 månader
Alla andra motorer med Dura-Bore™ gjutjärnsfoder
Privat bruk - 24 månader
Kommersiellt bruk - 12 månader
Alla andra motorer
Privat bruk - 24 månader
Kommersiellt bruk - 3 månader

¹ Dessa är våra standardgarantivillkor. Ibland kan dock ytterligare garantitäckning förekomma som inte varit fastställt vid publiceringstidpunkten. För en lista över aktuella garantivillkor för din motor, gå till BRIGGSandSTRATTON.COM eller kontakta din Briggs & Stratton-auktorisera serviceverkstad.

² På motorer lämnas ingen garanti om de är monterade på utrustning som används: för att ersätta ordinär elkräftförsörjning; som reservkraftgeneratorer för kommersiella ändamål; som nyttofordon med topphastighet över 25 mph; som tävlingsfordon för racing eller; för karting vid kommersiellt bruk eller uthyrning.

* I Australien omfattas våra produkter av garantier som inte kan uteslutas enligt australiensisk konsumentlagstiftning. Du har rätt till en ersättning eller återbetalning vid ett betydande fel och till kompensation vid annan rimlig förlust eller skada. Du har även rätt till att få varorna reparerade eller utbytta om varorna inte är av acceptabel kvalitet och felet inte uppgår till ett betydande fel. För garantiservice, kontakta närmaste auktoriserade serviceverkstad på vår karta Hitta återförsäljare på BRIGGSandSTRATTON.COM eller genom att ringa 1300 274 447, eller skicka e-post eller brev till salesenquiries@briggsandstratton.com.au, Briggs & Stratton Australia Pty Ltd, 1 Moorebank Avenue, Moorebank, NSW, Australia, 2170.

Garanti perioden börjar den dag den första konsumenten eller kommersiella slutanvändaren köper motorn och löper under den tidsperiod som uppges i ovanstående tabell. "Privat bruk" avser personligt bruk i hemmet av privatperson. "Kommersiellt bruk" avser allt annat bruk, inklusive yrkesmässigt bruk, användning i

näringsverksamhet eller uthyrning. En motor som en gång har använts kommersiellt, ska därefter alltid betraktas som kommersiell i samband med denna garanti.

Ingen registrering krävs för att garantin ska gälla för Briggs & Stratton produkter. Spara ditt inköpskvitto. Om inköpskvittot inte kan uppvisas vid yrkan på garantiservice, kommer produktens tillverkningsdatum att användas för att bestämma garantiperioden.

Angående din garanti

Denna garanti täcker endast motorrelaterat defekt material och/eller utförande och täcker inte utbyte av eller ersättning för den maskin på vilken motorn kan vara monterad. Rutinunderhåll, trimningar, justeringar eller normalt slitage täcks inte av den här garantin. Garantin gäller likaledes inte om motorn har ändrats eller manipulerats eller om motorns serienummer har raderats eller tagits bort. Den här garantin täcker inte motorskador eller prestandaproblem som orsakas av:

1. användning av delar som inte Briggs & Stratton
2. en användning av motorn med otillräcklig, förorenad eller dålig kvalitet på smörjoljan;
3. användning av förorenad eller gammalt bränsle, diesel med en etanolhalt som överstiger 10 % eller användning av bränslen som motorgas eller naturgas på motorer som inte ursprungligen konstruerats/tillverkats av Briggs & Stratton för att fungera med sådana bränslen;
4. smuts som trängt in i motorn på grund av ett dåligt underhåll av luftfiltret eller dålig återmontering;
5. slag mot föremål med skärbladet på en roterande gräsklippare, lösa eller dåligt installerade bladaptrar, pumphjul eller andra vevaxelkopplade enheter eller för hårt spänd V-rem;
6. tillbehör eller enheter som t.ex. kopplingar, växellådor, utrustningsreglage, osv., som inte levereras av Briggs & Stratton;
7. överhettning p.g.a klippt gräs, smuts och skräp eller gnagarnästen som täpper till kylflänsarna eller svänghjulets område eller när motorn används utan en tillräcklig ventilation;
8. för hög vibration på grund av en för hög hastighet, lös montering av motorn, lösa eller obalanserade skärblad eller pumphjul eller dålig koppling av utrustningens komponenter till vevaxeln;
9. felaktig användning, dåligt löpande underhåll, transport, hantering eller förvaring av utrustningen eller dålig installation av motorn.

Garantiservice tillhandahålls endast genom Briggs & Stratton auktoriserade serviceverkstäder. Hitta din närmaste auktoriserade serviceverkstad på vår karta Hitta återförsäljare på BRIGGSandSTRATTON.COM eller genom att ringa 1-800-444-7774 (i USA).

80114782 (revision A)

Not for reproduction

Not for reproduction

VANGUARD®

Not for reproduction