



(en) *Operator's Manual*

(da) *Betjeningsvejledning*

(de) *Bedienungsanleitung*

(el) *Εγχειρίδιο Χρήσης*

(es) *Manual del Operario*

(fi) *Käyttäjän käsikirja*

(fr) *Manuel d'utilisation*

(it) *Manuale dell'Operatore*

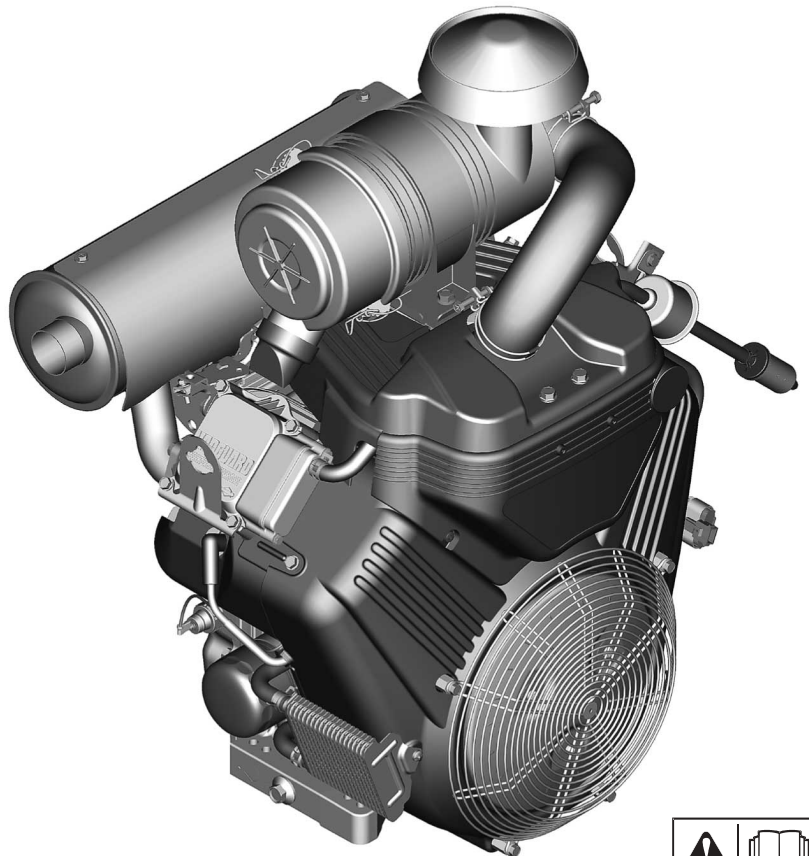
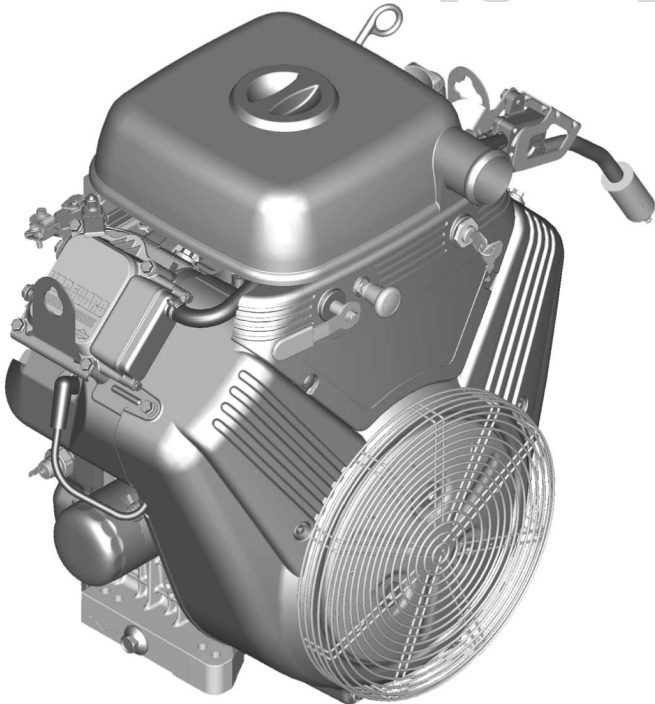
(nl) *Gebruiksaanwijzing*

(no) *Brukerhåndbok*

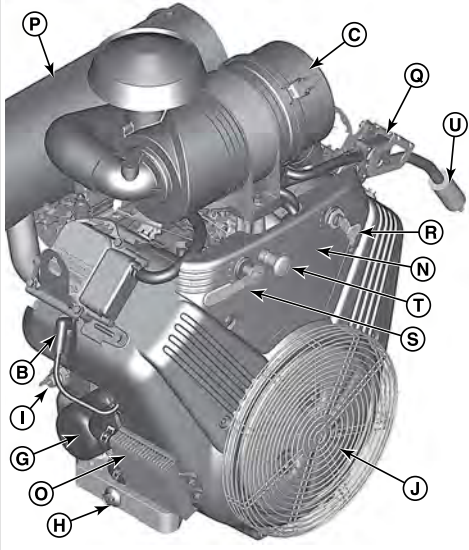
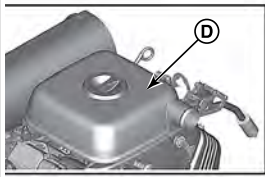
(pt) *Manual do Operador*

(sv) *Instruktionsbok*

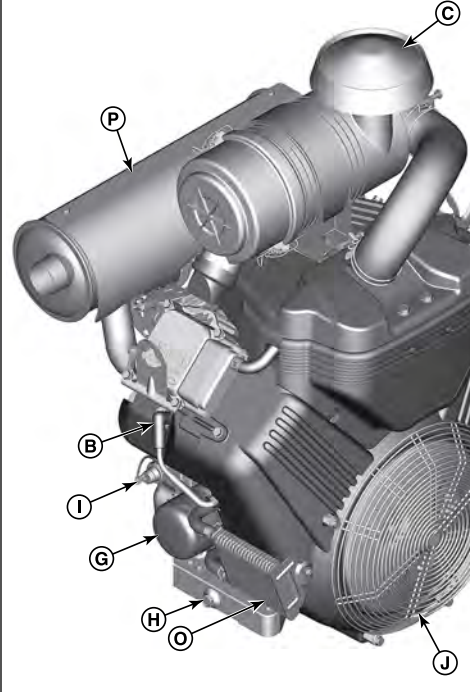
Models: 540000
610000
61E100



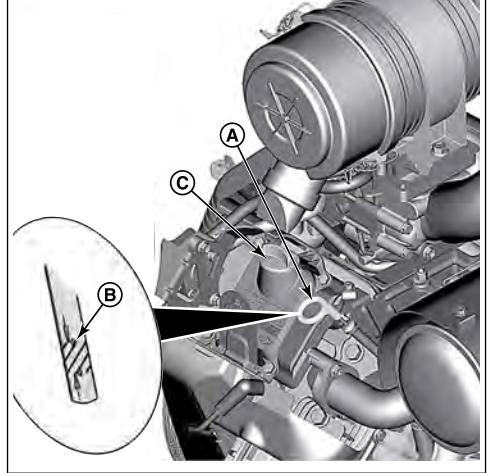
1



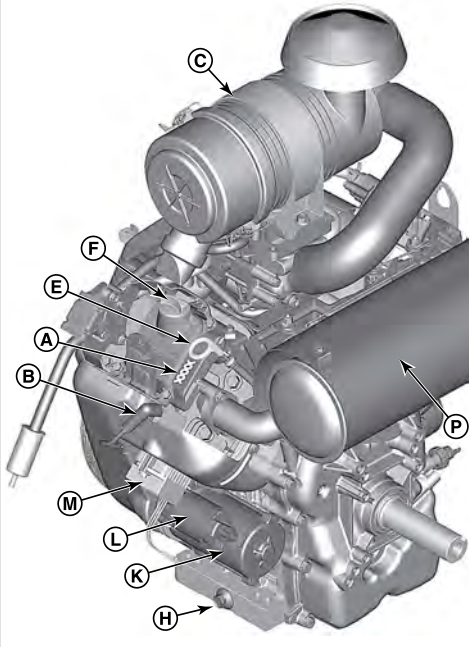
3



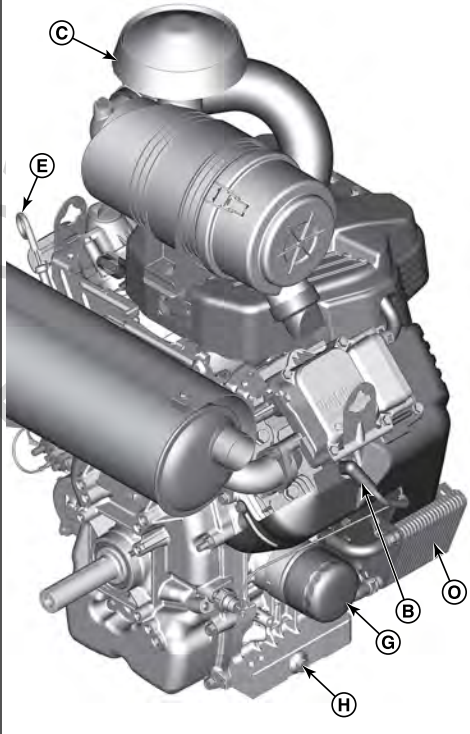
5



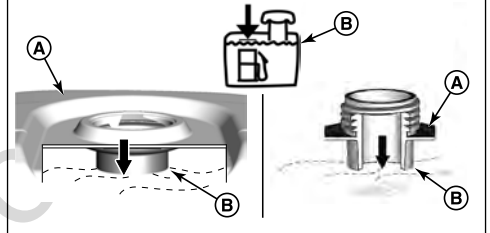
2



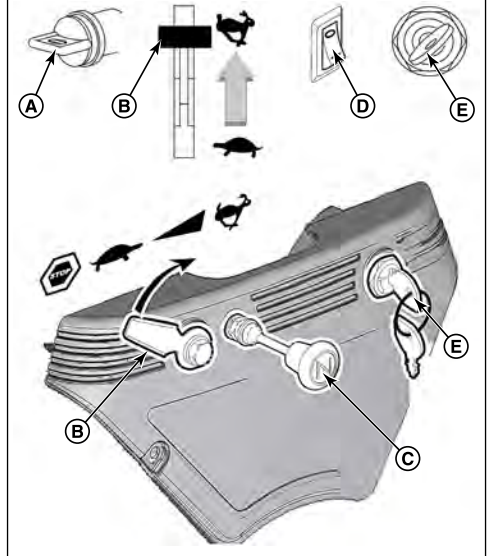
4

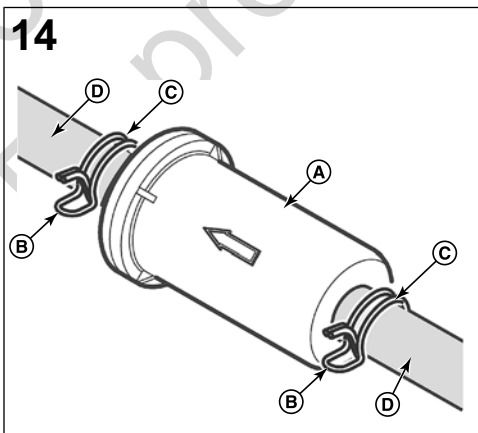
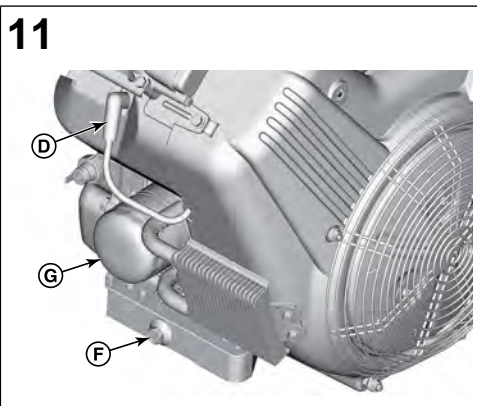
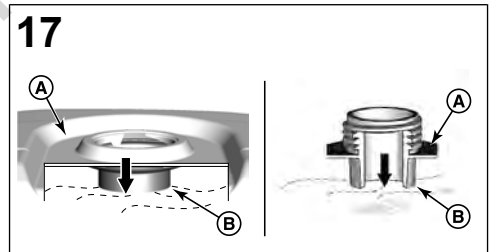
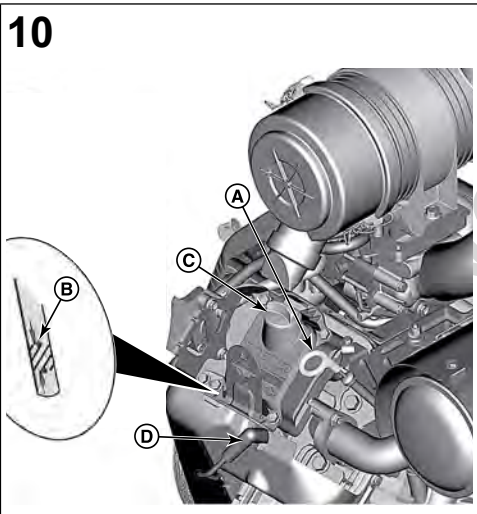
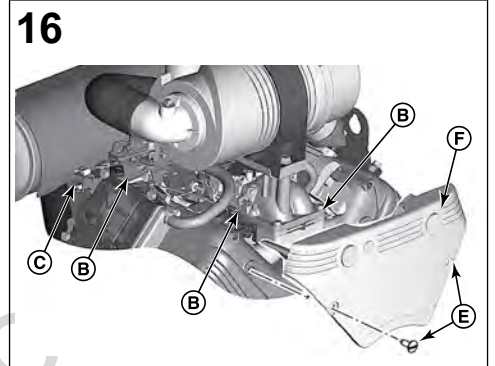
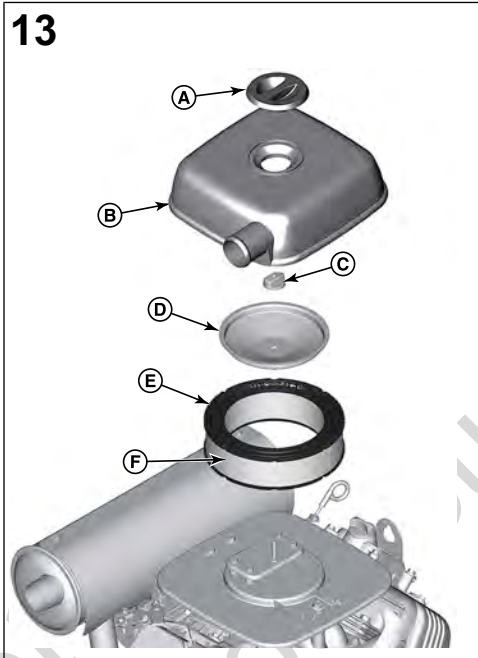
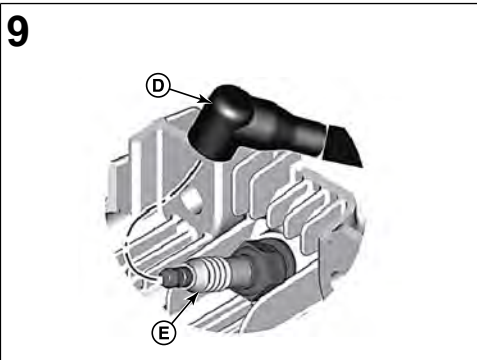
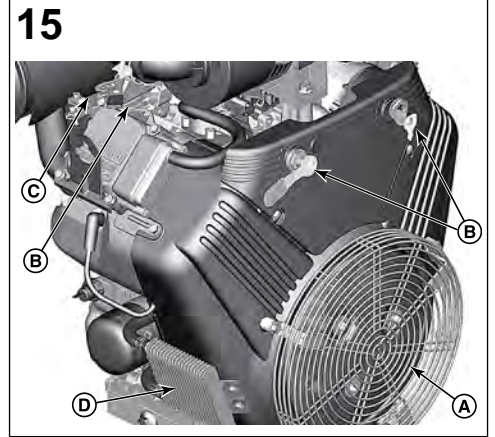
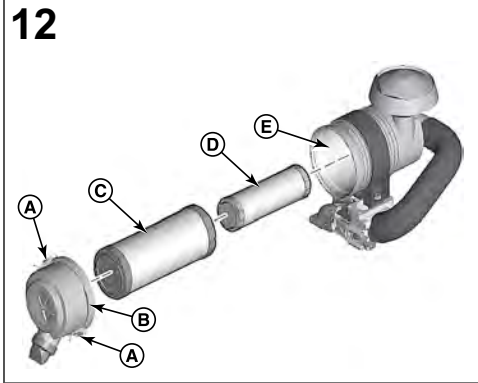
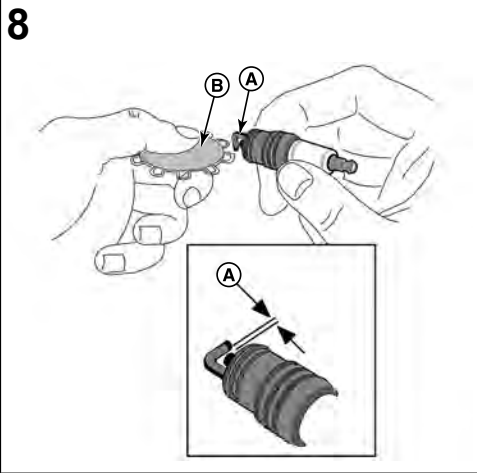


6



7





This manual contains safety information to make you aware of the hazards and risks associated with engines and how to avoid them. It also contains instructions for the proper use and care of the engine. Because Briggs & Stratton Corporation does not necessarily know what equipment this engine will power, it is important that you read and understand these instructions and the instructions for the equipment. **Save these original instructions for future reference.**

Note: The figures and illustrations in this manual are provided for reference only and may differ from your specific model. Contact your dealer if you have questions.

For replacement parts or technical assistance, record below the engine model, type, and code numbers along with the date of purchase. These numbers are located on your engine (see the **Features and Controls** section).

Date of Purchase	
Engine Model - Type - Trim	
Engine Serial Number	

Look for the 2D barcode located on some engines. When viewed with a 2D-capable device, the code will bring up our website where you can access support information for this product. Data rates apply. Some countries may not have online support information available.



Recycling Information

		All packaging, used oil, and batteries should be recycled according to applicable government regulations.
--	--	---

Operator Safety

Safety Alert Symbol and Signal Words

The safety alert symbol is used to identify safety information about hazards that can result in personal injury. A signal word (DANGER, WARNING, or CAUTION) is used with the alert symbol to indicate the likelihood and the potential severity of injury. In addition, a hazard symbol may be used to represent the type of hazard.

DANGER indicates a hazard which, if not avoided, **will result in death or serious injury.**

WARNING indicates a hazard which, if not avoided, **could result in death or serious injury.**

CAUTION indicates a hazard which, if not avoided, **could result in minor or moderate injury.**

NOTICE indicates an situation that **could result in damage to the product.**

Hazard Symbols and Meanings

Symbol	Meaning	Symbol	Meaning
	Safety information about hazards that can result in personal injury.		Read and understand the Operator's Manual before operating or servicing the unit.
	Fire hazard		Explosion hazard

Symbol	Meaning	Symbol	Meaning
	Shock hazard		Toxic fume hazard
	Hot surface hazard		Noise hazard - Ear protection recommended for extended use.
	Thrown object hazard - Wear eye protection.		Explosion hazard
	Frostbite hazard		Kickback hazard
	Amputation hazard - moving parts		Chemical Hazard
	Thermal heat hazard		Corrosive

Safety Messages



WARNING

Certain components in this product and its related accessories contain chemicals known to the State of California to cause cancer, birth defects, or other reproductive harm. Wash hands after handling.



WARNING

The engine exhaust from this product contains chemicals known to the State of California to cause cancer, birth defects, or other reproductive harm.



WARNING

Briggs & Stratton Engines are not designed for and are not to be used to power: fun-karts; go-karts; children's, recreational, or sport all-terrain vehicles (ATVs); motorbikes; hovercraft; aircraft products; or vehicles used in competitive events not sanctioned by Briggs & Stratton. For information about competitive racing products, see www.briggsracing.com. For use with utility and side-by-side ATVs, please contact Briggs & Stratton Engine Application Center, 1-866-927-3349. Improper engine application may result in serious injury or death.



WARNING



Fuel and its vapors are extremely flammable and explosive.

Fire or explosion can cause severe burns or death.

When Adding Fuel

- Turn engine off and let engine cool at least 2 minutes before removing the fuel cap.
- Fill fuel tank outdoors or in well-ventilated area.
- Do not overfill fuel tank. To allow for expansion of the fuel, do not fill above the bottom of the fuel tank neck.
- Keep fuel away from sparks, open flames, pilot lights, heat, and other ignition sources.
- Check fuel lines, tank, cap, and fittings frequently for cracks or leaks. Replace if necessary.
- If fuel spills, wait until it evaporates before starting engine.

When Starting Engine

- Ensure that spark plug, muffler, fuel cap and air cleaner (if equipped) are in place and secured.
- Do not crank engine with spark plug removed.
- If engine floods, set choke (if equipped) to OPEN / RUN position, move throttle (if equipped) to FAST position and crank until engine starts.

When Operating Equipment

- Do not tip engine or equipment at angle which causes fuel to spill.
- Do not choke the carburetor to stop engine.
- Never start or run the engine with the air cleaner assembly (if equipped) or the air filter (if equipped) removed.

When Changing Oil

- If you drain the oil from the top oil fill tube, the fuel tank must be empty or fuel can leak out and result in a fire or explosion.

When Tipping Unit for Maintenance

- When performing maintenance that requires the unit to be tipped, the fuel tank, if mounted on the engine, must be empty or fuel can leak out and result in a fire or explosion.

When Transporting Equipment

- Transport with fuel tank EMPTY or with fuel shut-off valve in the CLOSED position.

When Storing Fuel Or Equipment With Fuel In Tank

- Store away from furnaces, stoves, water heaters or other appliances that have pilot lights or other ignition sources because they can ignite fuel vapors.



Starting engine creates sparking.

Sparking can ignite nearby flammable gases.

Explosion and fire could result.

- If there is natural or LP gas leakage in area, do not start engine.
- Do not use pressurized starting fluids because vapors are flammable.



POISONOUS GAS HAZARD. Engine exhaust contains carbon monoxide, a poisonous gas that could kill you in minutes. You CANNOT see it, smell it, or taste it. Even if you do not smell exhaust fumes, you could still be exposed to carbon monoxide gas. If you start to feel sick, dizzy, or weak while using this product, get to fresh air RIGHT AWAY. See a doctor. You may have carbon monoxide poisoning.

- Operate this product ONLY outside far away from windows, doors and vents to reduce the risk of carbon monoxide gas from accumulating and potentially being drawn towards occupied spaces.
- Install battery-operated carbon monoxide alarms or plug-in carbon monoxide alarms with battery back-up according to the manufacturer's instructions. Smoke alarms cannot detect carbon monoxide gas.
- DO NOT run this product inside homes, garages, basements, crawlspaces, sheds, or other partially-enclosed spaces even if using fans or opening doors and windows for ventilation. Carbon monoxide can quickly build up in these spaces and can linger for hours, even after this product has shut off.
- ALWAYS place this product downwind and point the engine exhaust away from occupied spaces.



Rapid retraction of starter cord (kickback) will pull hand and arm toward engine faster than you can let go.

Broken bones, fractures, bruises or sprains could result.

- When starting engine, pull the starter cord slowly until resistance is felt and then pull rapidly to avoid kickback.
- Remove all external equipment / engine loads before starting engine.
- Direct-coupled equipment components such as, but not limited to, blades, impellers, pulleys, sprockets, etc., must be securely attached.



Rotating parts can contact or entangle hands, feet, hair, clothing, or accessories.

Traumatic amputation or severe laceration can result.

- Operate equipment with guards in place.
- Keep hands and feet away from rotating parts.
- Tie up long hair and remove jewelry.
- Do not wear loose-fitting clothing, dangling drawstrings or items that could become caught.



Running engines produce heat. Engine parts, especially muffler, become extremely hot.

Severe thermal burns can occur on contact.

Combustible debris, such as leaves, grass, brush, etc. can catch fire.

- Allow muffler, engine cylinder and fins to cool before touching.
- Remove accumulated debris from muffler area and cylinder area.
- It is a violation of California Public Resource Code, Section 4442, to use or operate the engine on any forest-covered, brush-covered, or grass-covered land unless the exhaust system is equipped with a spark arrester, as defined in Section 4442, maintained in effective working order. Other states or federal jurisdictions may have similar laws. Contact the original equipment manufacturer, retailer, or dealer to obtain a spark arrester designed for the exhaust system installed on this engine.



Unintentional sparking can result in fire or electric shock.

Unintentional start-up can result in entanglement, traumatic amputation, or laceration.

Fire hazard

Before performing adjustments or repairs:

- Disconnect the spark plug wire and keep it away from the spark plug.
- Disconnect battery at negative terminal (only engines with electric start.)
- Use only correct tools.
- Do not tamper with governor spring, links or other parts to increase engine speed.
- Replacement parts must be of the same design and installed in the same position as the original parts. Other parts may not perform as well, may damage the unit, and may result in injury.
- Do not strike the flywheel with a hammer or hard object because the flywheel may later shatter during operation.

When testing for spark:

- Use approved spark plug tester.
- Do not check for spark with spark plug removed.

Features and Controls

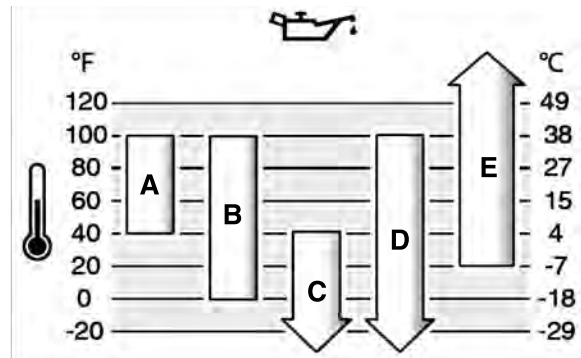
Engine Controls

Compare the illustration (Figure: 1, 2, 3, 4) with your engine to familiarize yourself with the location of various features and controls.

- Engine Identification Numbers **Model - Type - Code**
- Spark Plug
- Air Cleaner, Cyclonic
- Air Cleaner, Low Profile
- Dipstick
- Oil Fill
- Oil Filter
- Oil Drain Plug

- I. Oil Pressure Sensor
- J. Finger Guard
- K. Electric Starter
- L. Starter Solenoid
- M. Regulator/Rectifier
- N. Carburetor - Carburetor Models
- O. Oil Cooler (if equipped)
- P. Muffler (if equipped)
- Q. Fuel Pump
- R. Starter Switch ¹
- S. Throttle Control ¹
- T. Choke Control - Carburetor Models ¹
- U. Fuel Filter (if equipped)

¹ Some engines and equipment have remote controls. See the equipment manual for location and operation of remote controls.



A	SAE 30 - Below 40 °F (4 °C) the use of SAE 30 will result in hard starting.
B	10W-30 - Above 80 °F (27 °C) the use of 10W-30 may cause increased oil consumption. Check oil level more frequently.
C	5W-30
D	Synthetic 5W-30
E	Vanguard™ Synthetic 15W-50

Engine Control Symbols and Meanings

Symbol	Meaning	Symbol	Meaning
	Engine speed - FAST		Engine speed - SLOW
	Engine speed - STOP		ON - OFF
	Engine start - Choke CLOSED		Engine start - Choke OPEN
	Fuel Cap Fuel Shut-off - OPEN		Fuel Shut-off - CLOSED
	Fuel level - Maximum Do not overfill		

Operation

Oil Recommendations

Oil Capacity: See the *Specifications* section.

NOTICE

This engine was shipped from Briggs & Stratton without oil. Equipment manufacturers or dealers may have added oil to the engine. Before you start the engine for the first time, make sure to check the oil level and add oil according to the instructions in this manual. If you start the engine without oil, it will be damaged beyond repair and will not be covered under warranty.

We recommend the use of Briggs & Stratton Warranty Certified oils for best performance. Other high-quality detergent oils are acceptable if classified for service SF, SG, SH, SJ or higher. Do not use special additives.

Outdoor temperatures determine the proper oil viscosity for the engine. Use the chart to select the best viscosity for the outdoor temperature range expected. Engines on most outdoor power equipment operate well with 5W-30 Synthetic oil. For equipment operated in hot temperatures, Vanguard™ 15W-50 Synthetic oil provides the best protection.

Check Oil Level

See Figure: 5

Before adding or checking the oil

- Make sure the engine is level.
- Clean the oil fill area of any debris.

1. Remove the dipstick (A, Figure 5) and wipe with a clean cloth.
2. Fully install the dipstick (A, Figure 5).
3. Remove the dipstick and check the oil level. Correct oil level is at the top of the full indicator (B, Figure 5) on the dipstick.
4. If oil level is low, slowly add oil into the engine oil fill (C, Figure 5). **Do not overfill.** After adding oil, wait one minute and then recheck the oil level.
5. Fully install the dipstick (A, Figure 5).

Low Oil Protection System (if equipped)

Some engines are equipped with a low oil sensor. If the oil is low, the sensor will either activate a warning light or stop the engine. Stop the engine and follow these steps before restarting the engine.

- Make sure the engine is level.
- Check the oil level. See the *Check Oil Level* section.
- If the oil level is low, add the proper amount of oil. Start the engine and make sure the warning light (if equipped) is not activated.
- If the oil level is not low, do not start the engine. Contact a Briggs & Stratton Authorized Service Dealer to have the oil problem corrected.

Fuel Recommendations

Fuel must meet these requirements:

- Clean, fresh, unleaded gasoline.
- A minimum of 87 octane/87 AKI (91 RON). High altitude use, see below.
- Gasoline with up to 10% ethanol (gasohol) is acceptable.

NOTICE Do not use unapproved gasolines, such as E15 and E85. Do not mix oil in gasoline or modify the engine to run on alternate fuels. Use of unapproved fuels will damage the engine components, which will not be covered under warranty.

To protect the fuel system from gum formation, mix a fuel stabilizer into the fuel. See **Storage**. All fuel is not the same. If starting or performance problems occur, change fuel providers or change brands. This engine is certified to operate on gasoline. The emissions control system for this engine is EM (Engine Modifications).

High Altitude

At altitudes over 5,000 feet (1524 meters), a minimum 85 octane/85 AKI (89 RON) gasoline is acceptable.

For carbureted engines, high altitude adjustment is required to maintain performance. Operation without this adjustment will cause decreased performance, increased fuel consumption, and increased emissions. Contact a Briggs & Stratton Authorized Service

Dealer for high altitude adjustment information. Operation of the engine at altitudes below 2,500 feet (762 meters) with the high altitude adjustment is not recommended.

For Electronic Fuel Injection (EFI) engines, no high altitude adjustment is necessary.

Add Fuel

See Figure: 6



WARNING

Fuel and its vapors are extremely flammable and explosive.

Fire or explosion can cause severe burns or death.

When adding fuel

- Turn engine off and let engine cool at least 2 minutes before removing the fuel cap.
 - Fill fuel tank outdoors or in well-ventilated area.
 - Do not overfill fuel tank. To allow for expansion of the fuel, do not fill above the bottom of the fuel tank neck.
 - Keep fuel away from sparks, open flames, pilot lights, heat, and other ignition sources.
 - Check fuel lines, tank, cap, and fittings frequently for cracks or leaks. Replace if necessary.
 - If fuel spills, wait until it evaporates before starting engine.
1. Clean the fuel cap area of dirt and debris. Remove the fuel cap.
 2. Fill the fuel tank (A, Figure 6) with fuel. To allow for expansion of the fuel, do not fill above the bottom of the fuel tank neck (B).
 3. Reinstall the fuel cap.

Start and Stop Engine

See Figure: 7

Start Engine



WARNING

Fuel and its vapors are extremely flammable and explosive.

Fire or explosion can cause severe burns or death.

When Starting Engine

- Ensure that spark plug, muffler, fuel cap and air cleaner (if equipped) are in place and secured.
- Do not crank engine with spark plug removed.
- If engine floods, set choke (if equipped) to OPEN / RUN position, move throttle (if equipped) to FAST position and crank until engine starts.



WARNING

POISONOUS GAS HAZARD. Engine exhaust contains carbon monoxide, a poisonous gas that could kill you in minutes. You CANNOT see it, smell it, or taste it. Even if you do not smell exhaust fumes, you could still be exposed to carbon monoxide gas. If you start to feel sick, dizzy, or weak while using this product, shut it off and get to fresh air RIGHT AWAY. See a doctor. You may have carbon monoxide poisoning.

- Operate this product ONLY outside far away from windows, doors and vents to reduce the risk of carbon monoxide gas from accumulating and potentially being drawn towards occupied spaces.
- Install battery-operated carbon monoxide alarms or plug-in carbon monoxide alarms with battery back-up according to the manufacturer's instructions. Smoke alarms cannot detect carbon monoxide gas.
- DO NOT run this product inside homes, garages, basements, crawlspaces, sheds, or other partially-enclosed spaces even if using fans or opening doors and windows for ventilation. Carbon monoxide can quickly build up in these spaces and can linger for hours, even after this product has shut off.
- ALWAYS place this product downwind and point the engine exhaust away from occupied spaces.

NOTICE This engine was shipped from Briggs & Stratton without oil. Before you start the engine, make sure you add oil according to the instructions in this manual. If you start the engine without oil, it will be damaged beyond repair and will not be covered under warranty.

Determine The Starting System

Before starting the engine, you must determine the type of starting system that is on your engine. Your engine will have one of the following types.

- **Electronic Fuel Injection (EFI) System:** This features Electronic Fuel Injection. It does not have a choke or a primer.
- **Choke System:** This features a choke to be used for starting in cool temperatures. Some models will have a separate choke control while others will have a combination choke and throttle control. This type does not have a primer.

Note: Equipment may have remote controls. See the equipment manual for location and operation of remote controls.

Electronic Fuel Injection (EFI) System

1. Check the engine oil. See the **Check Oil Level** section.
2. Make sure equipment drive controls, if equipped, are disengaged.
3. Move the fuel shut-off (A, Figure 7), if equipped, to the OPEN position.
4. Move the throttle control (B, Figure 7), if equipped, to the FAST position. Operate the engine in the FAST position.
5. Push the stop switch (D, Figure 7), if equipped, to the ON position.
6. Turn the electric start switch (E, Figure 7) to the ON or START position.

NOTICE To extend the life of the starter, use short starting cycles (five seconds maximum). Wait one minute between starting cycles.

Note: If the engine does not start after repeated attempts, contact your local dealer or go to VanguardEngines.com or call 1-800-999-9333 (in USA).

Choke System

1. Check the engine oil. See the **Check Oil Level** section.
2. Make sure equipment drive controls, if equipped, are disengaged.
3. Move the fuel shut-off (A, Figure 7), if equipped, to the OPEN position.
4. Move the throttle control (B, Figure 7), if equipped, to the FAST position. Operate the engine in the FAST position.
5. Move the choke control (C, Figure 7), or the combination choke and throttle, to the CLOSED position.
6. Push the stop switch (D, Figure 7), if equipped, to the ON position.
7. Turn the key switch (E, Figure 7) to the ON or START position.
8. If the engine fires but will not continue to run, move the choke control (C, Figure 7) to the OPEN position to start the engine.

Note: To start the engine with a dry fuel system (first time starting or after running out of fuel), additional cranking time in the choke position will be required. This will give the fuel pump time to prime the fuel system.

NOTICE To extend the life of the starter, use short starting cycles (five seconds maximum). Wait one minute between starting cycles.

9. As the engine warms up, move the choke control (C, Figure 7) to the OPEN position.

Note: If the engine does not start after repeated attempts, contact your local dealer or go to VanguardEngines.com or call 1-800-999-9333 (in USA).

Stop Engine



WARNING

Fuel and its vapors are extremely flammable and explosive.

Fire or explosion can cause severe burns or death.

- Do not choke the carburetor to stop the engine.
1. **Stop Switch, if equipped:** Move the stop switch (D, Figure 7) to the OFF position. **Key Switch, if equipped:** With the throttle control in the SLOW position, turn the key switch (E, Figure 7) to the OFF position. Remove the key and keep in a safe place out of the reach of children.
 2. After the engine stops, move the fuel shut-off (A, Figure 7), if equipped, to the CLOSED position.

Maintenance

NOTICE If the engine is tipped during maintenance, the fuel tank, if mounted on engine, must be empty and the spark plug side must be up. If the fuel tank is not empty and if the engine is tipped in any other direction, it may be difficult to start due to oil or gasoline contaminating the air filter and/or the spark plug.



WARNING

When performing maintenance that requires the unit to be tipped, the fuel tank, if mounted on the engine, must be empty or fuel can leak out and result in a fire or explosion.

We recommend that you see any Briggs & Stratton Authorized Service Dealer for all maintenance and service of the engine and engine parts.

NOTICE All the components used to build this engine must remain in place for proper operation.



WARNING



Unintentional sparking can result in fire or electric shock.

Unintentional start-up can result in entanglement, traumatic amputation, or laceration.

Fire hazard

Before performing adjustments or repairs:

- Disconnect the spark plug wire and keep it away from the spark plug.
- Disconnect battery at negative terminal (only engines with electric start.)
- Use only correct tools.
- Do not tamper with governor spring, links or other parts to increase engine speed.
- Replacement parts must be of the same design and installed in the same position as the original parts. Other parts may not perform as well, may damage the unit, and may result in injury.
- Do not strike the flywheel with a hammer or hard object because the flywheel may later shatter during operation.

When testing for spark:

- Use approved spark plug tester.
- Do not check for spark with spark plug removed.

Emissions Control Service

Maintenance, replacement, or repair of the emissions control devices and systems may be performed by any off-road engine repair establishment or individual. However, to obtain "no charge" emissions control service, the work must be performed by a factory authorized dealer. See the Emissions Control Statements.

Maintenance Schedule

Every 8 Hours or Daily
<ul style="list-style-type: none"> • Check engine oil level • Clean area around muffler and controls
Every 100 Hours or Annually
<ul style="list-style-type: none"> • Replace spark plugs • Change engine oil • Replace oil filter (if equipped) • Service air filter ^{1,2} • Clean pre-cleaner (if equipped) ¹ • Service exhaust system
Every 250 Hours
<ul style="list-style-type: none"> • Check valve clearance. Adjust if necessary.
Every 400 Hours or Annually
<ul style="list-style-type: none"> • Replace air filter ² • Replace fuel filter • Service cooling system ¹ • Clean oil cooler fins ¹

Every 600 Hours or Annually

- Replace safety filter (if equipped)

- ¹ In dusty conditions or when airborne debris is present, clean more often.
- ² Every third air filter change, replace the inner safety filter (if equipped).

Electronic Fuel Injection (EFI) System

The EFI System monitors engine temperature, engine speed, and battery voltage for engine starting and warm up. There are no adjustments on the system. If starting or operation problems occur, contact a Briggs & Stratton Authorized Service Dealer.

NOTICE Make sure to follow the steps below or the EFI System could be damaged.

- Never start the engine if the battery cables are loose.
- Turn the key to the off position before disconnecting, removing and or installing the battery.
- Never use a battery charger to start the engine.
- Never disconnect the battery cables while the engine is running.
- When connecting the battery cables, first connect the positive (+) cable and then connect the negative (-) cable to the battery.
- When charging the battery, turn the ignition switch to the off position and disconnect the negative (-) battery cable from the battery.
- Do not spray water directly on the Electronic Control Module.

Carburetor and Engine Speed

Never make adjustments to the carburetor or engine speed. The carburetor was set at the factory to operate efficiently under most conditions. Do not tamper with the governor spring, linkages, or other parts to change the engine speed. If any adjustments are required contact a Briggs & Stratton Authorized Service Dealer for service.

NOTICE The equipment manufacturer specifies the maximum speed for the engine as installed on the equipment. **Do not exceed** this speed. If you are unsure what the equipment maximum speed is, or what the engine speed is set to from the factory, contact a Briggs & Stratton Authorized Service Dealer for assistance. For safe and proper operation of the equipment, the engine speed should be adjusted only by a qualified service technician.

Service Spark Plug

See Figure: 8

Check the gap (A, Figure 8) with a wire gauge (B). If necessary, reset the gap. Install and tighten the spark plug to the recommended torque. For gap setting or torque, see the **Specifications** section.

Note: In some areas, local law requires using a resistor spark plug to suppress ignition signals. If this engine was originally equipped with a resistor spark plug, use the same type for replacement.

Service Exhaust System



WARNING

Running engines produce heat. Engine parts, especially muffler, become extremely hot.

Severe thermal burns can occur on contact.

Combustible debris, such as leaves, grass, brush, etc. can catch fire.

- Allow muffler, engine cylinder and fins to cool before touching.
- Remove accumulated debris from muffler area and cylinder area.
- It is a violation of California Public Resource Code, Section 4442, to use or operate the engine on any forest-covered, brush-covered, or grass-covered land unless the exhaust system is equipped with a spark arrester, as defined in Section 4442, maintained in effective working order. Other states or federal jurisdictions may have similar laws. Contact the original equipment manufacturer, retailer, or dealer to obtain a spark arrester designed for the exhaust system installed on this engine.

Remove accumulated debris from muffler and cylinder area. Inspect the muffler for cracks, corrosion, or other damage. Remove the deflector or the spark arrester, if equipped, and inspect for damage or carbon blockage. If damage is found, install replacement parts before operating.



WARNING

Replacement parts must be of the same design and installed in the same position as the original parts. Other parts may not perform as well, may damage the unit, and may result in injury.

Change Engine Oil

See Figure: 9, 10, 11

Used oil is a hazardous waste product and must be disposed of properly. Do not discard with household waste. Check with your local authorities, service center, or dealer for safe disposal/recycling facilities.

Remove Oil

1. With engine off but still warm, disconnect the spark plug wire(s) (D, Figure 9) and keep it away from the spark plug(s) (E).
2. Remove the dipstick (A, Figure 10).
3. Remove the oil drain plug (F, Figure 11). Drain the oil into an approved container.
4. After the oil has drained, install and tighten the oil drain plug (F, Figure 11).

Change Oil Filter, if equipped

Some models are equipped with an oil filter. For replacement intervals, see the **Maintenance Schedule**.

1. Drain the oil from the engine. See **Remove Oil** section.
2. Remove the oil filter (G, Figure 11) and dispose of properly.
3. Before you install the new oil filter, lightly lubricate the oil filter gasket with fresh, clean oil.
4. Install the oil filter by hand until the gasket contacts the oil filter adapter, then tighten the oil filter 1/2 to 3/4 turns.
5. Add oil. See **Add Oil** section.
6. Start and run the engine. As the engine warms up, check for oil leaks.
7. Stop the engine and check the oil level. Correct oil level is at the top of the full indicator (B, Figure 10) on the dipstick.

Add Oil

- Make sure the engine is level.
 - Clean the oil fill area of any debris.
 - See the **Specifications** section for oil capacity.
1. Remove the dipstick (A, Figure 10) and wipe with a clean cloth.
 2. Slowly pour oil into the engine oil fill (C, Figure 10). **Do not overfill**. After adding oil, wait one minute and then check the oil level.
 3. Install and tighten the dipstick (A, Figure 10).
 4. Remove the dipstick and check the oil level. Correct oil level is at the top of the full indicator (B, Figure 10) on the dipstick.
 5. Reinstall and tighten the dipstick (A, Figure 10).
 6. Connect the spark plug wire(s) (D, Figure 9) to the spark plug(s) (E).

Service Air Filter

See Figure: 12, 13



WARNING



Fuel and its vapors are extremely flammable and explosive.

Fire or explosion can cause severe burns or death.

- Never start and run the engine with the air cleaner assembly (if equipped) or the air filter (if equipped) removed.

NOTICE Do not use pressurized air or solvents to clean the filter. Pressurized air can damage the filter and solvents will dissolve the filter.

See the **Maintenance Schedule** for service requirements.

Various models use either a foam or a paper filter. Some models may also have an optional pre-cleaner that can be washed and reused. Compare the illustrations in this manual with the type installed on your engine and service as follows.

Paper Air Filter

1. Open the fastener(s) (A, Figure 12) and remove the cover (B).
2. Remove the air filter (C, Figure 12).
3. To loosen debris, gently tap the air filter on a hard surface. If the air filter is excessively dirty, replace with a new air filter.
4. To remove the safety filter (D, Figure 12), if equipped, carefully pull it away from the air cleaner body (E). Make sure that dirt or debris does not enter the engine.
5. Install the new safety filter (D, Figure 12) in the air cleaner body (E).
6. Install the air filter (C, Figure 12) over the safety filter (D).
7. Install the cover (B, Figure 12) and close the fastener(s) (A).

Paper Air Filter

1. Remove the fastener(s) (A, Figure 13).
2. Remove the cover (B, Figure 13).
3. Remove the fastener(s) (C, Figure 13) and retainer (D).
4. Remove the air filter (E, Figure 13).
5. Remove the pre-cleaner (F, Figure 13), if equipped, from the air filter (E).
6. To loosen debris, gently tap the air filter (E, Figure 13) on a hard surface. If the air filter is excessively dirty, replace with a new air filter.
7. Wash the pre-cleaner (F, Figure 13), if equipped, in liquid detergent and water. Allow the pre-cleaner to thoroughly air dry. **Do not** oil the pre-cleaner.
8. Assemble the dry pre-cleaner (F, Figure 13), if equipped, to the air filter (E).
9. Install the air filter (E, Figure 13) and secure with retainer (D) and fastener(s) (C).
10. Install the cover (B, Figure 13) and secure with the fastener(s) (A). Make sure the fastener(s) is tight.

Service Fuel System

See Figure: 14



WARNING



Fuel and its vapors are extremely flammable and explosive.

Fire or explosion can cause severe burns or death.

- Keep fuel away from sparks, open flames, pilot lights, heat, and other ignition sources.
- Check fuel lines, tank, cap, and fittings frequently for cracks or leaks. Replace if necessary.
- Before cleaning or replacing the fuel filter, drain the fuel tank or close the fuel shut-off valve.
- If fuel spills, wait until it evaporates before starting engine.
- Replacement parts must be the same and installed in the same position as the original parts.

Fuel Filter, if equipped

1. Before replacing the fuel filter (A, Figure 14), if equipped, drain the fuel tank or close the fuel shut-off valve. Otherwise, fuel can leak out and cause a fire or explosion.
2. Use pliers to squeeze tabs (B, Figure 14) on the clamps (C), then slide the clamps away from the fuel filter (A). Twist and pull the fuel lines (D) off of the fuel filter.
3. Check the fuel lines (D, Figure 14) for cracks or leaks. Replace if necessary.
4. Replace the fuel filter (A, Figure 14) with an original equipment replacement filter.
5. Secure the fuel lines (D, Figure 14) with clamps (C) as shown.

Service Cooling System

See Figure: 15, 16



WARNING



Running engines produce heat. Engine parts, especially muffler, become extremely hot.

Severe thermal burns can occur on contact.

Combustible debris, such as leaves, grass, brush, etc., can catch fire.

- Allow muffler, engine cylinder and fins to cool before touching.
- Remove accumulated debris from muffler area and cylinder area.

NOTICE Do not use water to clean the engine. Water could contaminate the fuel system. Use a brush or dry cloth to clean the engine.

This is an air cooled engine. Dirt or debris can restrict air flow and cause the engine to overheat, resulting in poor performance and reduced engine life.

1. Use a brush or dry cloth to remove debris from the air intake area (A, Figure 15).
2. Keep linkage, springs and controls (B, Figure 15, 16) clean.
3. Keep the area around and behind the muffler (C, Figure 15, 16) free of any combustible debris.
4. Make sure the oil cooler fins (D, Figure 15) are free of dirt and debris.
5. Loosen fastener(s) (E, Figure 16) until you hear a click. Remove panel (F). and clean the area of dirt and debris. Make sure the underside of the panel is also clean.
6. Install the panel (F, Figure 16) and secure with fastener(s) (E). Tighten fastener(s) until you hear a click.

After a period of time, debris can accumulate in the cylinder cooling fins and cause the engine to overheat. This debris cannot be removed without partial disassembly of the engine. Have a Briggs & Stratton Authorized Dealer inspect and clean the air cooling system as recommended in the **Maintenance Schedule**.

Storage



WARNING

Fuel and its vapors are extremely flammable and explosive.

Fire or explosion can cause severe burns or death.

When Storing Fuel Or Equipment With Fuel In Tank

- Store away from furnaces, stoves, water heaters or other appliances that have pilot lights or other ignition sources because they can ignite fuel vapors.

Fuel System

See Figure: 17

Store the engine level (normal operating position). Fill fuel tank (A, Figure 17) with fuel. To allow for expansion of fuel, do not overfill above the fuel tank neck (B).

Fuel can become stale when stored over 30 days. Stale fuel causes acid and gum deposits to form in the fuel system or on essential carburetor parts. To keep fuel fresh, use **Briggs & Stratton Advanced Formula Fuel Treatment & Stabilizer**, available wherever Briggs & Stratton genuine service parts are sold.

There is no need to drain gasoline from the engine if a fuel stabilizer is added according to instructions. Run the engine for two (2) minutes to circulate the stabilizer throughout the fuel system before storage.

If gasoline in the engine has not been treated with a fuel stabilizer, it must be drained into an approved container. Run the engine until it stops from lack of fuel. The use of a fuel stabilizer in the storage container is recommended to maintain freshness.

Engine Oil

While the engine is still warm, change the engine oil. See the **Change Engine Oil** section.

Troubleshooting

For assistance, contact your local dealer or go to VanguardEngines.com or call **1-800-999-9333** (in USA).

Specifications

Model: 540000	
Displacement	54.68 ci (896 cc)
Bore	3.366 in (85,5 mm)
Stroke	3.071 in (78,0 mm)
Oil Capacity	78 - 80 oz (2,3 - 2,4 L)
Spark Plug Gap	.030 in (.76 mm)
Spark Plug Torque	180 lb-in (20 Nm)
Armature Air Gap	.005 - .008 in (.13 - .20 mm)

Model: 540000	
Intake Valve Clearance	.004 - .006 in (.10 - .15 mm)
Exhaust Valve Clearance	.007 - .009 in (.18 - .23 mm)

Model: 610000, 61E100	
Displacement	60.60 ci (993 cc)
Bore	3.366 in (85,5 mm)
Stroke	3.406 in (86,5 mm)
Oil Capacity	78 - 80 oz (2,3 - 2,4 L)
Spark Plug Gap	.030 in (.76 mm)
Spark Plug Torque	180 lb-in (20 Nm)
Armature Air Gap - Carburetor Models	.005 - .008 in (.13 - .20 mm)
Intake Valve Clearance	.004 - .006 in (.10 - .15 mm)
Exhaust Valve Clearance	.007 - .009 in (.18 - .23 mm)

Engine power will decrease 3.5% for each 1,000 feet (300 meters) above sea level and 1% for each 10° F (5.6° C) above 77° F (25° C). The engine will operate satisfactorily at an angle up to 15°. Refer to the equipment operator's manual for safe allowable operating limits on slopes.

Service Parts - Model: 540000, 610000, 61E100	
Service Part	Part Number
Cyclonic Air Filter (Figure 12)	841497
Cyclonic Safety Filter (Figure 12)	821136
Air Filter, Low Profile (Figure 13)	692519
Pre-cleaner, Low Profile (Figure 13)	692520
Oil - SAE 30	100028
Oil Filter	842921
Advanced Formula Fuel Treatment & Stabilizer	100117, 100120
Fuel Filter	691035
Resistor Spark Plug	491055
Long Life Platinum Spark Plug	5066
Spark Plug Wrench	19374
Spark Tester	19368

We recommend that you see any Briggs & Stratton Authorized Dealer for all maintenance and service of the engine and engine parts.

Power Ratings: The gross power rating for individual gasoline engine models is labeled in accordance with SAE (Society of Automotive Engineers) code J1940 Small Engine Power & Torque Rating Procedure, and is rated in accordance with SAE J1995. Torque values are derived at 2600 RPM for those engines with "rpm" called out on the label and 3060 RPM for all others; horsepower values are derived at 3600 RPM. The gross power curves can be viewed at www.BRIGGSandSTRATTON.COM. Net power values are taken with exhaust and air cleaner installed whereas gross power values are collected without these attachments. Actual gross engine power will be higher than net engine power and is affected by, among other things, ambient operating conditions and engine-to-engine variability. Given the wide array of products on which engines are placed, the gasoline engine may not develop the rated gross power when used in a given piece of power equipment. This difference is due to a variety of factors including, but not limited to, the variety of engine components (air cleaner, exhaust, charging, cooling, carburetor, fuel pump, etc.), application limitations, ambient operating conditions (temperature, humidity, altitude), and engine-to-engine variability. Due to manufacturing and capacity limitations, Briggs & Stratton may substitute an engine of higher rated power for this engine.

Warranty

Briggs & Stratton Engine Warranty

Effective January 2017

Limited Warranty

Briggs & Stratton warrants that, during the warranty period specified below, it will repair or replace, free of charge, any part that is defective in material or workmanship or both. Transportation charges on product submitted for repair or replacement under this warranty must be borne by purchaser. This warranty is effective for and is subject to the time periods and conditions stated below. For warranty service, find the nearest Authorized Service Dealer in our dealer locator map at BRIGGSandSTRATTON.COM. The purchaser must

contact the Authorized Service Dealer, and then make the product available to the Authorized Service Dealer for inspection and testing.

There is no other express warranty. Implied warranties, including those of merchantability and fitness for a particular purpose, are limited to the warranty period listed below, or to the extent permitted by law. Liability for incidental or consequential damages are excluded to the extent exclusion is permitted by law. Some states or countries do not allow limitations on how long an implied warranty lasts, and some states or countries do not allow the exclusion or limitation of incidental or consequential damages, so the above limitation and exclusion may not apply to you. This warranty gives you specific legal rights and you may also have other rights which vary from state to state and country to country ⁴.

Standard Warranty Terms ^{1, 2, 3}

Brand / Product Name	Consumer Use	Commercial Use
Vanguard™; Commercial Series	36 months	36 months
Engines Featuring Dura-Bore™ Cast Iron Sleeve	24 months	12 months
All Other Engines	24 months	3 months

¹These are our standard warranty terms, but occasionally there may be additional warranty coverage that was not determined at time of publication. For a listing of current warranty terms for your engine, go to BRIGGSandSTRATTON.com or contact your Briggs & Stratton Authorized Service Dealer.

²There is no warranty for engines on equipment used for prime power in place of a utility or for standby generators used for commercial purposes. Engines used in competitive racing or on commercial or rental tracks are not warrantied.

³Vanguard installed on standby generators: 24 months consumer use, no warranty commercial use. Vanguard installed on utility vehicles: 24 months consumer use, 24 months commercial use. Commercial Series with manufacturing date before July 2017, 24 months consumer use, 24 months commercial use.

⁴In Australia - Our goods come with guarantees that cannot be excluded under the Australian Consumer Law. You are entitled to a replacement or refund for a major failure and for compensation for any other reasonably foreseeable loss or damage. You are also entitled to have the goods repaired or replaced if the goods fail to be of acceptable quality and the failure does not amount to a major failure. For warranty service, find the nearest Authorized Service Dealer in our dealer locator map at BRIGGSandSTRATTON.COM, or by calling 1300 274 447, or by emailing or writing to salesenquiries@briggsandstratton.com.au, Briggs & Stratton Australia Pty Ltd, 1 Moorebank Avenue, Moorebank, NSW, Australia, 2170.

The warranty period begins on the original date of purchase by the first retail or commercial consumer. "Consumer use" means personal residential household use by a retail consumer. "Commercial use" means all other uses, including use for commercial, income producing or rental purposes. Once an engine has experienced commercial use, it shall thereafter be considered as a commercial use engine for purposes of this warranty.

Save your proof of purchase receipt. If you do not provide proof of the initial purchase date at the time warranty service is requested, the manufacturing date of the product will be used to determine the warranty period. Product registration is not required to obtain warranty service on Briggs & Stratton products.

About Your Warranty

This limited warranty covers engine-related material and/or workmanship issues only, and not replacement or refund of the equipment to which the engine may be mounted. Routine maintenance, tune-ups, adjustments, or normal wear and tear are not covered under this warranty. Similarly, warranty is not applicable if the engine has been altered or modified or if the engine serial number has been defaced or removed. This warranty does not cover engine damage or performance problems caused by:

- The use of parts that are not original Briggs & Stratton parts;
- Operating the engine with insufficient, contaminated, or an incorrect grade of lubricating oil;
- The use of contaminated or stale fuel, gasoline formulated with ethanol greater than 10%, or the use of alternative fuels such as liquefied petroleum or natural gas on engines not originally designed/manufactured by Briggs & Stratton to operate on such fuels;
- Dirt which entered the engine because of improper air cleaner maintenance or re-assembly;
- Striking an object with the cutter blade of a rotary lawn mower, loose or improperly installed blade adapters, impellers, or other crankshaft coupled devices, or excessive v-belt tightness;
- Associated parts or assemblies such as clutches, transmissions, equipment controls, etc., which are not supplied by Briggs & Stratton;
- Overheating due to grass clippings, dirt and debris, or rodent nests which plug or clog the cooling fins or flywheel area, or by operating the engine without sufficient ventilation;

- Excessive vibration due to over-speeding, loose engine mounting, loose or unbalanced cutter blades or impellers, or improper coupling of equipment components to the crankshaft;
- Misuse, lack of routine maintenance, shipping, handling, or warehousing of equipment, or improper engine installation.

Warranty service is available only through Briggs & Stratton Authorized Service Dealers. Locate your nearest Authorized Service Dealer in our dealer locator map at BRIGGSandSTRATTON.COM or by calling 1-800-233-3723 (in USA).

80004537 (Rev. C)

Briggs & Stratton Emissions Warranty

U.S. EPA, and Briggs & Stratton Corporation Emissions Control Warranty Statement - Your Warranty Rights and Obligations For Briggs & Stratton Engine Models with "J" Trim Designation (Model-Type-Trim Representation xxxxxx xxxx Jx)

The U.S. EPA, and Briggs & Stratton (B&S) are pleased to explain the emissions control system warranty on your Model Year 2017-2019 engine. In the U.S, new small off-road engines and large spark ignited engines less than or equal to 1.0 liter must be designed, built, and equipped to meet stringent anti-smog standards. B&S must warrant the emissions control system on your engine for the periods of time listed below provided there has been no abuse, neglect, or improper maintenance of your engine.

Your exhaust emissions control system may include parts such as the carburetor or fuel injection system, ignition system, and catalytic converter. Also included may be hoses, belts, connectors, sensors, and other emissions-related assemblies.

Where a warrantable condition exists, B&S will repair your engine at no cost to you including diagnosis, parts, and labor.

Manufacturer's Warranty Coverage:

Small off-road engines and large spark ignited engines less than or equal to 1.0 liter, are warranted for two years, or for the time period listed in the respective engine or product warranty statement, whichever is greater. If any emissions-related part on your B&S engine is defective, the part will be repaired or replaced by B&S.

Owner's Warranty Responsibilities:

- As the engine owner, you are responsible for the performance of the required maintenance listed in your Operator's Manual. B&S recommends that you retain all receipts covering maintenance on your engine, but B&S cannot deny warranty solely for the lack of receipts or your failure to ensure the performance of all scheduled maintenance.
- As the engine owner, you should however be aware that B&S may deny you warranty coverage if your engine or a part has failed due to abuse, neglect, improper maintenance, or unapproved modifications.
- You are responsible for presenting your engine to a B&S distribution center, servicing dealer, or other equivalent entity, as applicable, as soon as a problem exists. The warranty repairs should be completed in a reasonable amount of time, not to exceed 30 days. If you have any questions regarding your warranty rights and responsibilities, you should contact B&S at 1-800-444-7774 (in USA) or BRIGGSandSTRATTON.com.

Briggs & Stratton Emissions Control Warranty Provisions

The following are specific provisions relative to your Emissions Control Warranty Coverage. It is in addition to the B&S engine warranty for non-regulated engines found in the Operator's Manual.

- Warranted Emissions Parts
Coverage under this warranty extends only to the parts listed below (the emissions control systems parts) to the extent these parts were present on the B&S engine and/or B&S supplied fuel system.
 - Fuel Metering System
 - Cold start enrichment system (soft choke)
 - Mixer
 - Carburetor or fuel injection system
 - Oxygen sensor
 - Electronic control unit
 - Fuel pump module
 - Air Induction System
 - Air cleaner
 - Intake manifold
 - Ignition System
 - Spark plug(s)

- Magneto ignition system
- d. Catalyst System
- Catalytic converter
 - Exhaust manifold
 - Air injection system or pulse value
- e. Miscellaneous Items Used in Above Systems
- Vacuum, temperature, position, time sensitive valves and switches
 - Connectors and assemblies
2. Length of Coverage
- Coverage is for a period of two years from date of original purchase, or for the time period listed in the respective engine or product warranty statement, whichever is greater. B&S warrants to the original purchaser and each subsequent purchaser that the engine is designed, built, and equipped so as to conform with all applicable regulations adopted under Section 213 of the Clean Air Act; that it is free from defects in material and workmanship that could cause the failure of a warranted part; and that it is identical in all material respects to the engine described in the manufacturer's application for certification. The warranty period begins on the date the engine is originally purchased.

The warranty on emissions-related parts is as follows:

- Any warranted part that is not scheduled for replacement as required maintenance in the Operator's Manual supplied, is warranted for the warranty period stated above. If any such part fails during the period of warranty coverage, the part will be repaired or replaced by B&S at no charge to the owner. Any such part repaired or replaced under the warranty will be warranted for the remaining warranty period.
 - Any warranted part that is scheduled only for regular inspection in the Operator's Manual supplied, is warranted for the warranty period stated above. Any such part repaired or replaced under warranty will be warranted for the remaining warranty period.
 - Any warranted part that is scheduled for replacement as required maintenance in the Operator's Manual supplied, is warranted for the period of time prior to the first scheduled replacement point for that part. If the part fails prior to the first scheduled replacement, the part will be repaired or replaced by B&S at no charge to the owner. Any such part repaired or replaced under warranty will be warranted for the remainder of the period prior to the first scheduled replacement point for the part.
 - Add-on or modified parts that are not exempted by the Air Resources Board may not be used. The use of any non-exempted add-on or modified parts by the owner will be grounds for disallowing a warranty claim. The manufacturer will not be liable to warrant failures of warranted parts caused by the use of a non-exempted add-on or modified part.
3. Consequential Coverage
- Coverage shall extend to the failure of any engine components caused by the failure of any warranted emissions parts.
4. Claims and Coverage Exclusions
- Warranty claims shall be filed according to the provisions of the B&S engine warranty policy. Warranty coverage does not apply to failures of emissions parts that are not original equipment B&S parts or to parts that fail due to abuse, neglect, or improper maintenance as set forth in the B&S engine warranty policy. B&S is not liable for warranty coverage of failures of emissions parts caused by the use of add-on or modified parts.

Look For Relevant Emissions Durability Period and Air Index Information On Your Small Off-Road Engine Emissions Label

Briggs & Stratton engines are certified to meet the United States Environmental Protection Agency (USEPA) Phase 3 emissions standards. The Emissions Compliance Period referred to on the Emissions Compliance label indicates the number of operating hours for which the engine has been shown to meet Federal emissions requirements.

For engines at or less than 80 cc displacement:

Category C = 50 hours, Category B = 125 hours, Category A = 300 hours

For engines greater than 80 cc displacement and less than 225 cc displacement:

Category C = 125 hours, Category B = 250 hours, Category A = 500 hours

For engines of 225 cc or more displacement:

Category C = 250 hours, Category B = 500 hours, Category A = 1000 hours

80012791 (Rev C)

Denne vejledning indeholder sikkerhedsoplysninger, der skal gøre dig opmærksom på de farer og risici, der er forbundet med motorer, samt hvordan de kan undgås. Den indeholder også instrukser om korrekt brug og pleje af motoren. Eftersom Briggs & Stratton ikke nødvendigvis ved, hvilket udstyr denne motor skal drive, er det vigtigt, at du læser og forstår denne vejledning og vejledningen til det udstyr, som motoren driver. **Gem de originale anvisninger til fremtidig brug.**

Bemærk: Figurerne og illustrationerne i denne vejledning er udelukkende til referencebrug og kan være anderledes end din model. Henvend dig hos din forhandler hvis du har nogen spørgsmål.

For at kunne få reservedele eller teknisk assistance fremover skal du her anføre motorens model-, type- og kodenummer sammen med købsdatoen. Disse tal er placeret på motoren (se afsnittet **Udstyr og betjeningselementer**).

Købsdato	
Motormodel - Type - Trim	
Motorserienummer	

Kig efter 2D-stregkoden, der er placeret på visse maskiner. Når den ses på en enhed med 2D viser koden vores websted, hvor du kan få adgang til supportoplysninger for dette produkt. Omkostninger til datatrafik kan forekomme. Nogle lande har ikke adgang til online supportoplysninger.



Information vedrørende bortskaffelse

		Al emballage, brugt olie og batterier skal bortskaffes i henhold til gældende statslige regler.
--	--	---

Førersikkerhed

Sikkerhedssymboler og signalord

Sikkerhedssymbolet anvendes til at identificere sikkerhedsoplysninger om farer, der kan medføre personskader. Et signalord (FARE, ADVARSEL eller FORSIGTIG) bruges sammen med advarselssymbolet til at identificere sandsynligheden og den mulige sværhedsgrad af personskaden. Desuden kan et faresymbol bruges til at repræsentere typen af fare.

FARE angiver en farlig situation, som vil medføre død eller alvorlig personskade, hvis den ikke undgås.

ADVARSEL angiver en farlig situation, som kan medføre død eller alvorlig personskade, hvis den ikke undgås.

FORSIGTIG angiver en farlig situation, som kan medføre alvorlig eller moderat personskade, hvis den ikke undgås.

BEMÆRK angiver en situation, som kan medføre beskadigelse af produktet.

Faresymboler og deres betydninger

Symbol	Betydning	Symbol	Betydning
	Sikkerhedsoplysninger om farer, der kan medføre personskade.		Læs og forstå brugervejledningen, før brug af eller servicering af enheden.

Symbol	Betydning	Symbol	Betydning
	Brandfare		Risiko for eksplosion.
	Fare for stød		Fare for giftig røg
	Fare ved varm overflade		Støjfare – Høreværn anbefales ved længere brug.
	Fare for flyvende genstande – Bær beskyttelsesbriller.		Risiko for eksplosion.
	Fare for forfrysning		Fare for tilbageslag
	Fare for amputation – Bevægelige dele		Kemikaliefare
	Fare for varme		Korroderende

Sikkerhedsmeddelelser

ADVARSEL

Visse dele på dette produkt og dets tilbehør indeholder kemikalier, som ifølge staten Californien kan forårsage kræft, fosterskader eller forplantningsskader. Vask hænder efter håndtering.

ADVARSEL

Udstødningen fra motoren på dette produkt indeholder kemikalier, som ifølge staten Californien kan forårsage kræft, fosterskader eller forplantningsskader.

ADVARSEL

Briggs & Stratton-motorer er ikke designet til og må ikke bruges til at drive: fun-karts; go-karts; terrængående børne-, fritids- eller sportskøretøjer (ATV'er); motorcykler, luftpudefartøjer; luftfartsprodukter eller køretøjer, der anvendes til konkurrenceformål, som ikke er sanktioneret af Briggs & Stratton. Se www.briggsracing.com for yderligere oplysninger om motorsportsprodukter. For brug med terrængående og side-by-side ATV'er kontakt Briggs & Stratton Engine Application Center, 1-866-927-3349. Ukorrekt motorbrug kan resultere i alvorlig personskade eller død.

ADVARSEL

Benzin og benzindampe er yderst brandfarlige og eksplosive.

Brand eller eksplosion kan medføre alvorlige forbrændinger eller død.

Under påfyldning af brændstof

- Sluk motoren, og lad den køle af i mindst to minutter, før benzindækslet fjernes.
- Påfyld brændstof udendørs eller på et godt udluftet område.
- Overfyld ikke brændstoftanken. Fyld ikke over bund brændstoftankens hals for at tillade ekspansion brændstof.
- Hold benzin væk fra gnister, åben ild, tændflammer, varme eller andre antændelseskilder.
- Kontroller hyppigt brændstoffedninger, tank, dæksel og beslag for revner eller lækage. Udskift efter behov.

- Hvis der bliver spildt brændstof, skal du vente til det er fordampet, før motoren startes.

Når motoren startes

- Sørg for at tændrør, lydpotte, brændstofdæksel og luftfilter (hvis monteret) er på plads og er fastspændte.
- Prøv ikke at starte motoren med tændrøret fjernet.
- Hvis motoren er druknet, så sæt chokeren (hvis den findes) på åbn- / kør-stilling, sæt speederen (hvis den findes) over i hurtig stilling, og bliv ved, indtil den starter.

Ved betjening af udstyret

- Undgå at vippe motoren eller udstyret, således at brændstoffet løber ud.
- Brug ikke chokeren til at standse motoren.
- Start aldrig motoren, og lad aldrig motoren køre med luftfilterenheden (hvis monteret) eller luftfiltret (hvis monteret) fjernet.

Under olieskift

- Hvis du tømmer olien fra oliepåfyldningsrøret i toppen, skal brændstoftanken være tom, da brændstoffet ellers kan løbe ud og resultere i brand eller eksplosion.

Når enheden vippes ved vedligeholdelse

- Når der udføres vedligeholdelse, der kræver, at enheden vippes, skal brændstoftanken, hvis monteret på motoren, være tom, da brændstoffet ellers kan løbe ud og resultere i brand eller eksplosion.

Under transport af udstyr

- Transport med TOM brændstoftank eller med brændstofventilen i stillingen CLOSED.

Opbevaring af brændstof eller redskaber med brændstof i tanken

- Opbevares på afstand af fyr, ovne, vandvarmere eller andet udstyr, som kan have en tændflamme eller anden antændelseskilde, da de kan antænde benzindampe.



Start af motoren forårsager gnistdannelse.

Gnister kan antænde brændbare luftarter i nærheden.

Dette kan resultere i eksplosion og brand.

- Hvis der er en lækage af natur- eller flaskegas i området, må motoren ikke startes.
- Brug ikke startvæsker under tryk, da dampene er brændbare.



FARE FOR GIFTIGE GASSER. Motorudstødning indeholder kullite, som er en giftig gas, der kan dræbe på få minutter. Du kan hverken se, lugte eller smage det. Selv om du ikke kan lugte udstødningsgasser, kan du stadigvæk være udsat for kulliteforgiftning. Hvis du begynder at få kvalme, føle dig svimmel eller svag, mens du bruger maskinen, skal du have frisk luft **MED DET SAMME**. Søg lægehjælp. Du kan være udsat for kulliteforgiftning.

- Betjen KUN denne maskine udendørs langt væk fra døre, vinduer og ventilatorer for at undgå, at kullitegasser samler sig og evt. driver hen imod steder, hvor folk befinder sig.
- Installer batteridrevne kullitealarmer eller strømtilsluttede alarmer med batterisupport i henhold til producentens vejledning. Røgalarmer kan ikke registrere kullite.
- DU MÅ IKKE betjene denne maskine indendørs i hjem, garager, kældre, krybekældre, skure eller på andre delvist lukkede steder, også selvom du bruger ventilatorer eller har åbne døre og vinduer for at sikre ordentlig ventilation. Kullite kan hurtigt akkumuleres på sådanne steder og kan være ved i timevis, efter at maskinen er blevet afbrudt.
- Anbring ALTID denne maskine i vindretningen, og sørg for, at udstødningen peger væk fra steder, hvor der er folk til stede.



Hurtig tilbagetrækning af startsnoren (tilbageslag) vil bevirke, at din hånd og arm bliver trukket hurtigere mod motoren, end du kan kontrollere.

Konsekvenserne kan være brækkede knogler, skrammer eller forstuvninger.

- Når du starter motoren, så træk langsomt i startsnoren, indtil der mærkes modstand, og træk så kraftigt for at undgå tilbageslag.

- Fjern alle ydre anordninger / belastninger på motoren, før du starter den.
- Direkte tilkoblede dele på udstyret f.eks. skæreknive, skovlhjul, remskiver, kædehjul osv. skal være forsvarligt monteret.



Roterende dele kan komme i kontakt med eller gribe hænder, fødder, hår, beklædning og smykker.

Dette kan medføre, at ledlemsdele skæres af, eller at brugeren får alvorlige snitsår.

- Redskaber må kun anvendes med alle sikkerhedsafskærmninger på plads.
- Hold hænder og fødder i sikker afstand fra roterende dele.
- Bind langt hår op, og fjern smykker.
- Undgå at bære løstsiddende tøj, tøj med snore eller andre genstande, der kan sætte sig fast i de roterende dele.



Kørende motorer danner varme. Motordele, især lydpotte, bliver ekstremt varme.

Alvorlige forbrændinger kan opstå ved kontakt.

Brændbart affald såsom blade, græs, krat osv. kan blive antændt.

- Lad lydpotte, motorcylinder og køleribber køle af, før du rører ved dem.
- Fjern brændbart materiale fra området omkring lydpotten og cylinderen.
- Det er en overtrædelse af staten Californiens forskrifter om offentlige ressourcer, afsnit 4442 at bruge eller betjene motoren på ethvert skov-, krat- eller græsdækket område med mindre udstødningssystemet er forsynet med en korrekt vedligeholdt gnistfanger, som beskrevet i afsnit 4442. Andre stater eller forbundsområder kan have tilsvarende love. Kontakt en autoriseret fabrikant eller serviceforhandler angående anskaffelse af en gnistfanger, der er konstrueret til det udstødningssystem, der er monteret på den pågældende maskine.



Utilsigtede gnister kan resultere i brand eller elektrisk stød.

Utilsigtet start kan resultere i indvikling, traumatisk amputation eller lemlæstelse.

Brandfare

Inden påbegyndelse af justeringer eller reparationer:

- Fjern tændrørskablet, og hold det på behørig afstand af tændrøret.
- Frakobl batteriet på den negative terminal (gælder kun motorer med elektrisk start).
- Brug passende værktøjer.
- Undlad at røre ved regulatorfjederen, forbindelser eller andre dele, der er med til at øge motorens hastighed.
- Reservedelene skal have samme udformning, og de skal placeres på præcis samme måde som de originale dele. Andre reservedele vil ikke give den samme ydelsesgrad, kan ødelægge maskinen og resultere i personskaade.
- Slå aldrig på svinghjulet med en hammer eller en hård genstand, da dette kan få svinghjulet til at splintres under drift.

Under test af gnister:

- Brug en godkendt tændrørstester.
- Test ikke for gnister med tændrøret fjernet.

Funktioner og betjeningsanordninger

Motorens betjeningslementer

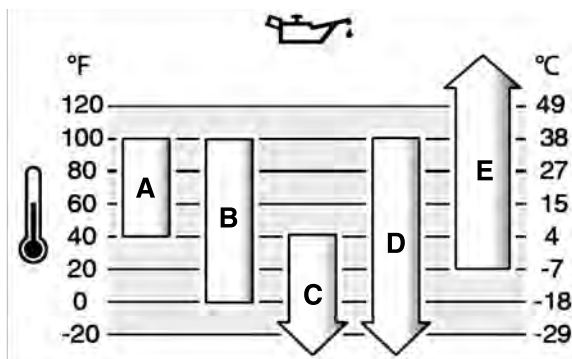
Sammenlign illustrationen (figur: 1, 2, 3, 4) med din motor for at lære placeringen af udstyr og betjeningslementer.

- Identifikation af motoren Model-, type- og kodenummer
- Tændrør
- Luftfilter, cyklonisk

- D. Air Cleaner, lavprofil
- E. Oliepind
- F. Oliepåfyldning
- G. Oliefilter
- H. Olieaftappingsprop
- I. Olietrykssensor
- J. Fingerværn
- K. Elstarter
- L. Startersolenoid
- M. Regulator/ensretter
- N. Karburator - Karburatormodeller
- O. Oliekøler (hvis monteret)
- P. Lydpotte (hvis monteret)
- Q. Brændstofpumpe
- R. Startkontakt ¹
- S. Gasregulator ¹
- T. Chokerregulator - Karburatormodeller ¹
- U. Brændstoffilter (hvis monteret)

¹ Nogle motorer og noget udstyr har fjernbetjening. Se udstyrsmanualen for placering og betjening af fjernbetjeningen.

Motorer i det meste udstyr til udendørs brug kører godt med syntetisk olie 5W-30. Til udstyr, der bruges i varmere temperaturer, yder Vanguard™ 15W-50 syntetisk olie den bedste beskyttelse.



A	SAE 30 - Under 4 °C (40 °F) vil brugen af SAE 30 gøre det svært at starte.
B	10W-30 - Over 27 °C (80 °F) kan brugen af 10W-30 medføre forhøjet olieforbrug. Kontrollér oliestanden oftere.
C	5W-30
D	Syntetisk 5W-30
E	Vanguard™ syntetisk 15W-50

Motorfaresymboler og deres betydninger

Symbol	Betydning	Symbol	Betydning
	Motorhastighed - HURTIG		Motorhastighed - LANGSOM
	Motorhastighed - STOP		TIL - FRA
	Motorstart - choker LUKKET		Motorstart - choker ÅBEN
	Brændstofdæksel Brændstofhane - ÅBEN		Brændstofhane - LUKKET
	Brændstofniveau - maks. Undgå at overfylde		

Betjening

Olieanbefalinger

Oliekapacitet: Se afsnittet **Specifikationer**.

BEMÆRK

Denne motor blev leveret af Briggs & Stratton uden olie. Producenter eller forhandlere af udstyret kan have fyldt olie på motoren. Inden du starter motoren første gang, skal du sørge for at kontrollere oliestanden og påfylde olie i overensstemmelse med anvisningerne i denne manual. Hvis du starter motoren uden olie, vil den blive beskadiget uden mulighed for at reparere den, og det er ikke omfattet af garantien.

Vi anbefaler at bruge olie, der er garantigodkendt af Briggs & Stratton for at opnå den bedste ydeevne. Andre selvrensende olier af høj kvalitet er acceptable, hvis de er godkendt til SF-, SG-, SH-, SJ-service eller højere. Undlad at bruge specielle tilsætningsstoffer.

Udendørstemperaturer er afgørende for den passende olieviskositet til motoren. Brug tabellen til at vælge den bedste viskositet til det forventede udendørs temperaturinterval.

Kontrollér oliestanden

Se figur: 5

Før påfyldning eller kontrol af olien

- Kontrollér, at motoren står plant.
- Rengør oliepåfyldningsområdet for affaldsrester.

1. Fjern oliepinde (A, figur 5) ud, og tør den af med en ren klud.
2. Sæt oliepinde helt i (A, figur 5).
3. Træk oliepinde op, og kontrollér oliestanden. Du finder den korrekte oliestand øverst på indikatoren for fuld (B, figur 5) på oliepinde.
4. Hvis oliestanden er for lav, skal du langsomt påfylde olie i motoroliepåfyldningen (C, figur 5). **Undgå at overfylde.** Efter oliepåfyldningen vent et minut, og kontrollér så oliestanden.
5. Sæt oliepinde helt i (A, figur 5).

Beskyttelsessystem for lav oliestand (hvis monteret)

Nogle motorer er udstyret med en sensor for lav oliestand. Hvis oliestanden er lav, aktiverer sensoren enten et advarselsslys eller standser motoren. Stands motoren, og følg disse trin, før du genstarter motoren.

- Kontrollér, at motoren står plant.
- Kontrollér derefter oliestanden. Se afsnittet **Kontrollér oliestand**.
- Hvis oliestanden er lav, så tilføj den korrekte mængde olie. Start motoren, og sørg for, at advarselsslyset (hvis monteret) ikke er aktiveret.
- Hvis oliestanden ikke er lav, må du ikke starte motoren. Kontakt en autoriseret forhandler fra Briggs & Stratton for at få rettet olieproblemet.

Anbefalet brændstof

Brændstoffet skal opfylde disse krav:

- Ren, frisk blyfri benzin.
- Minimum 87 oktan/87 AKI (91 RON). Anvendelse i store højder; se nedenfor.
- Benzin med op til 10 % etanol (gasohol) er acceptabelt.

BEMÆRK Der må ikke bruges ikke-godkendt benzin, som for eksempel E85. Der må ikke blandes olie i benzin, og der må ikke foretages ændringer på motoren for at køre med alternative brændstoffer. Brug af ikke-godkendt brændstof resulterer i skader på motorkomponenterne, som ikke vil være dækket af garantien.

For at beskytte brændstofsysteget mod dannelse af gummi kan en stabilisator iblandes brændstoffet. Se **Opbevaring**. Brændstoffer er forskellige. Såfremt du oplever start- eller driftsproblemer, så skift brændstof leverandør eller mærke. Motoren er certificeret til drift med benzin. Emissionskontrollsystemet for denne motor er EM (Engine Modifications).

Højder

Ved højder over 1.524 m (5.000 fod) er en minimum 85 oktan/85 AKI (89 RON) benzin acceptabel.

Til karburatormotorer kræves justering ved anvendelse i store højder for at opretholde driften. Drift uden disse justeringer vil medføre en nedgang i ydelse, en stigning i brændstofforbrug og øget emissioner. Besøg en autoriseret forhandler Briggs & Stratton for at få oplysninger om højde tilpasning. Drift af en motor, der er justeret til store højder, kan ikke anbefales i højder under 762 m (2.500 fod).

For motorer med elektronisk brændstofdistributør (EFI), er det ikke nødvendigt at udføre justering ved anvendelse i store højder.

Påfyld brændstof

Se figur: 6



ADVARSEL

Benzin og benzindampe er yderst brandfarlige og eksplosive.

Brand eller eksplosion kan medføre alvorlige forbrændinger eller døden.

Under påfyldning af brændstof

- Sluk motoren og lad den køle af i mindst 2 minutter, før benzindækslet fjernes.
 - Påfyld brændstof udendørs eller på et godt udluftet område.
 - Overfyld ikke brændstoffranken. For at give plads til udvidelse skal du unnlade at fylde op over bunden af tankens brændstoffkant.
 - Hold benzin væk fra gnister, åben ild, tændflammer, varme eller andre antændelseskilder.
 - Kontroller hyppigt brændstoffledninger, tank, dæksel og beslag for revner eller lækage. Udskift efter behov.
 - Hvis der bliver spildt brændstof, skal du vente til det er fordampet, før motoren startes.
1. Rengør brændstoffdækslet for snavs og affaldsrester. Fjern brændstoffdækslet.
 2. Påfyld brændstoffranken (A, figur 6) med brændstof. For at give plads til udvidelse, unnlad at fylde op over bunden af tankens brændstoffkant (B).
 3. Sæt dækslet tilbage på plads.

Start og stop motoren

Se figur: 7

Start motoren



ADVARSEL

Benzin og benzindampe er yderst brandfarlige og eksplosive.

Brand eller eksplosion kan medføre alvorlige forbrændinger eller døden.

Når motoren startes

- Sørg for at tændrør, lydpotte, brændstoffdæksel og luftfilter (hvis monteret) er på plads og er fastspændte.
- Prøv ikke at starte motoren med tændrøret fjernet.
- Hvis motoren er druknet, så sæt chokeren (hvis monteret) på ÅBEN/KØR position, bevæg speederen (hvis monteret) over på stillingen FAST, og bliv ved, indtil den starter.



ADVARSEL

FARE FOR GIFTIGE GASSER. Motorudstødning indeholder kullite, som er en giftig gas, der kan dræbe på få minutter. Du KAN HVERKEN se det, lugte det eller smage det. Selv om du ikke kan lugte udstødningsgasser, kan du stadigvæk være udsat for kulliteforgiftning. Hvis du begynder at føle dig utilpas, svimmel eller svag under betjening af denne maskine, skal du stoppe den og sørge for at få frisk luft OMGÅENDE. Søg lægehjælp. Du kan være udsat for kulliteforgiftning.

- Dette produkt må KUN betjenes udenfor, langt fra vinduer, døre og ventilationsanlæg for at reducere risikoen for, at der samler sig kullite, som kan ledes til områder, hvor der befinder sig folk.
- Installer batteridrevne kullitealarmer eller strømtilsluttede alarmer med batterisupport i henhold til producentens vejledning. Røgalarmer kan ikke registrere kullite.
- DU MÅ IKKE betjene denne maskine indendørs i hjem, garager, kældre, krybekældre, skure eller på andre delvist lukkede steder, også selvom du bruger ventilatorer eller har åbne døre og vinduer for at sikre ordentlig ventilation. Kullite kan hurtigt

akkumuleres på sådanne steder og kan være ved i timevis, efter at maskinen er blevet afbrudt.

- Placer ALTID dette produkt i vindretningen, og lad motorens udstødning vende væk fra områder, hvor der opholder sig folk.

BEMÆRK Denne motor blev leveret af Briggs & Stratton uden olie. Inden du starter motoren, skal du sørge for at påfylde olie i overensstemmelse med vejledningerne i denne manual. Hvis du starter motoren uden olie, vil den blive beskadiget uden mulighed for at reparere den, og det er ikke omfattet af garantien.

Identificer startsystemet

Før du starter motoren, skal du fastslå den type af startsystem, der er på motoren. Motoren har en af følgende typer.

- **Electronic Fuel Injection (EFI)-system:** Enheden har elektronisk brændstofdistributør. Den har ikke en choker eller tipperfunktion.
- **Chokersystemet:** Det har en rød choker, som skal anvendes til start ved lave temperaturer. Nogle modeller har en separat chokerregulering, mens andre har en kombination af choker- og gasregulering. Denne type har ikke en primer.

Bemærk: Udstyret kan have fjernbetjening. Se udstyrsmanualen for placering og betjening af fjernbetjeningen.

Electronic Fuel Injection (EFI)-system

1. Kontroller motoroliestanden. Se afsnittet **Kontrol af olieniveau**.
2. Sørg for, at udstyrets kørselsbetjeningsanordninger, hvis monteret, er frakoblet.
3. Sæt brændstoffhanen (A, figur 7) i positionen ÅBEN, hvis monteret.
4. Sæt gasregulatoren (B, figur 7), hvis monteret, i stillingen FAST. Betjen motoren i stillingen FAST.
5. Tryk stopknappen (D, figur 7), hvis monteret, til stillingen TIL.
6. Drej den elektriske startkontakt (E, figur 7) til positionen TÆND eller START.

BEMÆRK Starterens levetid kan forlænges ved at bruge korte startcyklusser (maks. fem sekunder). Vent ét minut mellem startcyklusserne.

Bemærk: Hvis motoren ikke starter efter gentagne forsøg, skal du kontakte din lokale forhandler eller gå til VanguardEngines.com eller ringe til **1-800-999-9333** (i USA).

Chokersystemet

1. Kontroller motoroliestanden. Se afsnittet **Kontrol af olieniveau**.
2. Sørg for, at udstyrets kørselsbetjeningsanordninger, hvis monteret, er frakoblet.
3. Sæt brændstoffhanen (A, figur 7) i positionen ÅBEN, hvis monteret.
4. Sæt gasregulatoren (B, figur 7), hvis monteret, i stillingen FAST. Betjen motoren i stillingen FAST.
5. Flyt chokerregulatoren (C, figur 7) eller kombinationen af choker/gasspjæld til positionen LUKKET.

Bemærk: Hvis man starter motoren med et tørt brændstoffsystem (første start aller efter at være løbet tør for brændstof), er der behov for ekstra starttid i positionen choke. Det giver brændstoffpumpen tid til at fylde brændstoffsystemet op.

6. Tryk stopknappen (D, figur 7), hvis monteret, til stillingen TIL.
7. Drej tændingskontakten (E, figur 7) til positionen TIL/START.
8. Hvis motoren starter men ikke kan fortsætte med at køre, skal du flytte chokerregulatoren (C, figur 7) til positionen ÅBEN for at starte motoren.

BEMÆRK Starterens levetid kan forlænges ved at bruge korte startcyklusser (maks. fem sekunder). Vent ét minut mellem startcyklusserne.

9. Når motoren bliver varm, skal du flytte chokerregulatoren (C, figur 7) til positionen ÅBEN.

Bemærk: Hvis motoren ikke starter efter gentagne forsøg, skal du kontakte din lokale forhandler eller gå til VanguardEngines.com eller ringe til **1-800-999-9333** (i USA).

Stop motoren



ADVARSEL

Benzin og benzindampe er yderst brandfarlige og eksplosive.

Brand eller eksplosion kan medføre alvorlige forbrændinger eller døden.

- Brug ikke chokeren til at stoppe motoren.

1. **Stopkontakt, hvis monteret:** Drej stopkontakten (D, figur 7) til positionen FRA. **Stopkontakt, hvis monteret** Indstil gasregulatoren til positionen LANGSOM, og drej tændingskontakten (E, figur 7) til positionen FRA. Tag nøglen ud og opbevar den på et sikkert sted uden for børns rækkevidde.
2. Efter at motoren er standset, drej brændstofhanen (A, figur 7), hvis monteret, til positionen LUKKET.

Vedligeholdelse

BEMÆRK Hvis græsslåmaskinen hældes under vedligeholdelse, skal brændstoffet udtømmes og tændrørsiden skal vende op. Hvis brændstoffet ikke er tom og hvis motoren bliver hældt i en anden retning, kan det være svært at starte motoren pga. olie eller brændstof forurener luffilteret og/eller tændrøret.



ADVARSEL

Når der udføres vedligeholdelse, der kræver, at enheden vippes, skal brændstoffet være tom, da brændstoffet ellers kan løbe ud og resultere i brand eller eksplosion.

Vi anbefaler, at du kontakter en autoriseret serviceforhandler fra Briggs & Stratton vedrørende al vedligeholdelse og service af motoren og motordele.

BEMÆRK Alle dele i denne motor skal være korrekt placeret for at give korrekt funktion.



ADVARSEL



Gnister, som frembringes ved et uheld, kan medføre brand eller stød.

Uplanlagt start kan resultere i indvikling, traumatisk amputation eller lemlæstelse.

Brandfare

Inden påbegyndelse af justeringer eller reparationer:

- Fjern tændrørskablet og hold det på behørig afstand af tændrøret.
- Tag minuskablet af batteriet, hvis motoren er udstyret med el-starter.
- Brug passende redskaber.
- FORETAG ALDRIG ændring af regulatorfjederen, forbindelser eller andre dele for at øge motorens omdrejningstal.
- Reservedelene skal have samme udformning og de skal placeres på præcis samme måde som de originale dele. Andre reservedele vil ikke give den samme ydelsesgrad, kan ødelægge maskinen og resultere i personskaade.
- Slå aldrig på svinghjulet med en hammer eller en hård genstand, da dette kan få svinghjulet til at splintres under drift.

Under test af gnister:

- Brug en godkendt tændrørstester.
- Test ikke for gnist med tændrøret fjernet.

Udførelse af udledningskontrol

Vedligeholdelse, udskiftning eller reparation af udledningskontrolenheder og systemer kan udføres af et ikke autoriseret værksted eller af en enkeltperson. For at få udført udledningskontrolservice "uden beregning" skal arbejdet imidlertid udføres af en autoriseret forhandler. Se erklæring om udledningskontrol.

Vedligeholdelsesskema

Hver 8. time eller dagligt
<ul style="list-style-type: none"> • Kontrollér motorens oliestand • Rengør området omkring lydpotte og styring
For hver 100 driftstimer eller én gang årligt
<ul style="list-style-type: none"> • Udskift tændrør • Skift motorolie • Udskift oliefilter (hvis monteret) • Servicer luffiltret ^{1,2} • Rengør forfilteret (hvis monteret) ¹ • Servicer udstødningssystemet

Efter hver 250 timer
<ul style="list-style-type: none"> • Kontroller ventilsplillerum. Juster efter behov.
For hver 400 driftstimer eller én gang årligt
<ul style="list-style-type: none"> • Udskift luffiltret ² • Udskift brændstoffilter • Servicer kølesystemet ¹ • Rengør finner på oliekløler ¹
For hver 600 driftstimer eller én gang årligt
<ul style="list-style-type: none"> • Udskift sikkerhedsfilter (hvis monteret)

¹ Under støvede forhold eller når luftbåret snavs er til stede, rengør da oftere.

² Ved hver 3. udskiftning af luffiltret skal det indvendige sikkerhedsfilter udskiftes (hvis monteret).

Electronic Fuel Injection (EFI)-system

EFI-systemet overvåger motortemperatur, motorhastighed og batterispænding under start og opvarmning af motoren. Systemet skal ikke justeres. Hvis der opstår startbesvær, skal du kontakte en autoriseret Briggs & Stratton serviceforhandler.

BEMÆRK Sørg for at følge nedenstående trin, da EFI-systemet ellers kan blive beskadiget.

- Start aldrig motoren, hvis batterikablerne er løse.
- Drej nøglen til positionen FRA, før du frakobler, fjerner og/eller monterer batteriet.
- Start aldrig motoren ved hjælp af en batterioplader.
- Frakobl aldrig batterikablerne, mens motoren kører.
- Når du tilslutter batterikablerne, skal du først tilslutte pluskablet (+), og derefter minuskablet (-) til batteriet.
- Når batteriet oplades, skal du dreje tændingskontakten til positionen FRA og frakoble minuskablet (-) fra batteriet.
- Sprøjt ikke vand direkte på det elektroniske styremodul.

Karburator og motorhastighed

Foretag aldrig justering af karburator og motorhastighed. Karburatoren er fabriksindstillet til at virke effektivt under de fleste omstændigheder. Undlad at røre ved regulatorfjederen, forbindelser eller andre dele der er med til at øge motorens hastighed. Hvis der er behov for justering, så kontakt en autoriseret serviceforhandler fra Briggs & Stratton for service.

BEMÆRK Denne udstyrsfabrikant specificerer maks. hastighed for motoren, som er installeret på udstyret. **Overskrid ikke** denne hastighed. Hvis du ikke er sikker på, hvad maks. hastigheden er på udstyret, eller hvilken motorhastighed, der er indstillet fra fabrikken af, så kontakt en autoriseret serviceforhandler fra Briggs & Stratton for hjælp. For sikker og korrekt brug af udstyret, skal motorhastigheden kun justeres af en uddannet servicetekniker.

Servicer tændrør

Se figur: 8

Kontroller afstanden (A, figur 8) med en afstandsmåler (B). Om nødvendigt genindstil afstanden. Monter og fastspænd tændrøret til det anbefalede moment. Mht. afstandsindstilling og moment, se afsnittet **Specifikationer**.

Bemærk: Nogle steder kræver lokal lovgivning anvendelse af et modstands tændrør for at undertrykke tændingssignaler. Hvis motoren oprindeligt var udstyret med et modstands tændrør, så brug den samme type når du udskifter.

Servicering af udstødningssystem



ADVARSEL



Kørende motorer danner varme. Motordele, især lydpotten, bliver ekstremt varme.

Kontakt med varme dele kan forårsage alvorlige forbrændinger.

Der kan gå ild i brændbart affald, som f.eks. blade, græs og grene.

- Lad lydpotte, motorcylinder og køleribber køle af, før du rører ved dem.
- Fjern brændbart materiale fra området omkring lydpotten og cylinderen.

- Det er en overtrædelse af staten Californiens offentlige ressource forskrifter, afsnit 4442 at bruge eller betjene motoren på ethvert skov-, krat- eller græsdaekket område med mindre udstødningssystemet er forsynet med en korrekt vedligeholdt gnistfanger, som beskrevet i afsnit 4442. Andre stater eller forbundsområder kan have tilsvarende love. Kontakt en autoriseret serviceforhandler angående anskaffelse af en gnistfanger, der er konstrueret til det udstødningssystem, der er monteret på den pågældende maskine.

Fjern brændbart materiale fra området omkring lydpuddingen og cylinderen. Kontrollér lydpuddingen for revner, korrosion eller andre skader. Fjern gnistaflederen, hvis den er monteret, og kontrollér den for skader eller karbonblokering. Hvis der er skade, skal der monteres reservedele, før brug.



ADVARSEL

Reservedelene skal have samme udformning og de skal placeres på præcist samme måde som de originale dele. Andre reservedele vil ikke give den samme ydelsesgrad, kan ødelægge maskinen og resultere i personskaade.

Skift motorolie

Se figur: 9, 10, 11

Brugt olie er et farligt affaldsprodukt og skal bortskaffes på passende måde. Undgå at bortkaste sammen med husholdningsaffald. Undersøg med de lokale myndigheder, servicecenter eller forhandler hvordan man kan komme af med det på en genbrugsstation.

Aftapning af olie

1. Med motoren standset, men stadig varm, trækkes ledningen til tændrøret ud (D, figur 9) og holdes væk fra tændrøret/rørene (E).
2. Fjern oliepuddingen (A, figur 10).
3. Afmonter olieaftapningsproppen (F, figur 11). Udtøm olien i en godkendt beholder.
4. Monter og spænd olieaftapningsproppen (F, figur 11), efter at olien er tappet af.

Skift oliefilter, hvis monteret

Nogle modeller er udstyret med et oliefilter. Udskiftningsintervallerne fremgår af **vedligeholdelseskemaet**.

1. Tap olien af motoren. Se afsnittet **Aftapning af olie**.
2. Afmonter oliefilteret (G, figur 11), og bortskaf det på behørig vis.
3. Før du monterer det nye oliefilter, skal du smøre oliefilterets pakning med et tyndt lag ny, ren olie.
4. Monter det nye oliefilter med håndkraft, indtil pakningen har kontakt med oliefilteradapteren, og stram derefter oliefilteret 1/2 til 3/4 omdrejning.
5. Påfyld olie. Se afsnittet **Påfyldning af olie**.
6. Start og stop motoren. Kontrollér for olielækager, mens motoren bliver varm.
7. Stands motoren, og kontrollér oliestanden. Du finder den korrekte oliestand øverst på indikatoren for fuld (B, figur 10) på oliepuddingen.

Påfyldning af olie

- Kontrollér, at motoren står plant.
 - Rengør oliepåfyldningsområdet for affaldsrester.
 - Se **Specifikationsafsnittet** mht. oliekapacitet.
1. Fjern oliepuddingen (A, figur 10) ud, og tør den af med en ren klud.
 2. Hæld olie langsomt i motorens oliepåfyldningshul (C, figur 10). **Undgå at overfylde.** Efter oliepåfyldningen vent et minut, og kontrollér så oliestanden.
 3. Sæt oliepuddingen i, og spænd den (A, figur 10).
 4. Træk oliepuddingen op, og kontrollér oliestanden. Du finder den korrekte oliestand øverst på indikatoren for fuld (B, figur 10) på oliepuddingen.
 5. Sæt oliepuddingen på plads, og spænd den igen (A, figur 10).
 6. Tilslut ledningen/ledningerne til tændrøret/rørene (D, figur 9) til tændrøret/rørene (E).

Serviceér luftfilteret

Se figur: 12, 13



ADVARSEL



Benzin og benzindampe er yderst brandfarlige og eksplosive.

Brand eller eksplosion kan medføre alvorlige forbrændinger eller døden.

- Start aldrig motoren eller lad den køre uden luftrensningsmontagen (om nødvendigt) eller uden luftfilteret (om nødvendigt).

BEMÆRK Undlad at bruge komprimeret luft eller rengøringsmidler til rengøring af filteret. Komprimeret luft kan beskadige filteret og rengøringsmidler vil opløse filteret.

Se **vedligeholdelsesoversigten** for servicekrav.

Forskellige modeller anvender enten skum- eller papirfilter. Nogle modeller er også udstyrede med et forfilter der kan vaskes og genbruges. Sammenlign illustrationerne i denne manual med den type, der er installeret på din motor, og servicer i overensstemmelse hermed.

Papirluftfilter

1. Åbn monteringsanordning(er) (A, figur 12), og afmonter dækslet (B).
2. Fjern luftfilteret (C figur 12).
3. For at løsne rester bankes luftfilteret forsigtigt mod en hård overflade. Hvis luftfilteret er meget snavset, skal det udskiftes med et nyt.
4. Sikkerhedsfilteret (D, figur 12) kan, hvis monteret, fjernes ved at trække det forsigtigt væk fra luftfilterenheden (E). Sørg for, at der ikke kommer snavs eller rester ned i motoren.
5. Monter det nye sikkerhedsfilter (D, figur 12) i luftfilterenheden (E).
6. Monter luftfilteret (C, figur 12) over sikkerhedsfilteret (D).
7. Monter dækslet (B, figur 12), og luk monteringsanordning(er) (A).

Papirluftfilter

1. Fjern monteringsanordning(erne) (A, figur 13).
2. Afmonter dækslet (B, figur 13).
3. Fjern monteringsanordning(er) (C, figur 13), og holderen (D).
4. Fjern luftfilteret (E figur 13).
5. Fjern forfilteret (F, figur 13), hvis monteret, fra luftfilteret (E).
6. For at løsne rester bankes luftfilteret (E, figur 13) forsigtigt mod en hård overflade. Hvis luftfilteret er meget snavset, skal det udskiftes med et nyt.
7. Vask forfilteret (F, figur 13), hvis monteret, i flydende rengøringsmiddel og vand. Lad forfilteret lufttørre grundigt. **Smør ikke** olie på forfilteret.
8. Saml det tørre forfilter (F, figur 13), hvis monteret, på luftfilteret (E).
9. Monter luftfilteret (E, figur 13), og fastgør det med holderen (D) og møtrik(ker) (C).
10. Monter dækslet (B, figur 13), og fastgør det med monteringsanordning(er) (A). Sørg for at fastgørelsesbolten er strammet.

Serviceér brændstofsysteet

Se figur: 14



ADVARSEL



Benzin og benzindampe er ekstremt brændbare og eksplosive.

Brand eller eksplosion kan forårsage alvorlige forbrændinger eller dødsfald.

- Hold benzin væk fra gnister, åben ild, tændflammer, varme eller andre antændelseskilder.
- Kontrollér hyppigt brændstofledninger, tank, dæksel og beslag for revner eller lækage. Udskift efter behov.
- Før rengøring eller udskiftning af brændstof filteret skal du aftappe eller lukke brændstofftanken eller dens hane.
- Hvis der bliver spildt brændstof, skal du vente til det er fordampet, før motoren startes.
- Udskiftningsdele skal være af samme type som originaldelene og skal monteres samme sted.

Brændstoffilter, hvis monteret

1. Før udskiftning af brændstoffilteret (A, figur 14), hvis monteret, skal du tømme tanken eller lukke for brændstoffhanen. Ellers kan brændstoffet sive ud og forårsage brand eller en eksplosion.

2. Brug en bidetang til at klemme skrue (B, figur 14) på spændbøjlerne (C), og skyd derefter spændbøjlerne væk fra brændstoffilteret (A). Drej og træk brændstofslangerne (D) af brændstoffilteret.
3. Tjek brændstofslangerne (D, figur 14) for revner eller utætheder. Udskift efter behov.
4. Udskiftning af brændstoffilter (A, figur 14) med et originalt udskiftningsfilter.
5. Fastgør brændstofslangerne (D, figur 14) med klemmerne (C) som vist.

Servicering af kølesystem

Se figur: 15, 16



ADVARSEL

Kørende motorer danner varme. Motordele, især lydporten, bliver ekstremt varme.

Kontakt med varme dele kan forårsage alvorlige forbrændinger.

Der kan gå ild i brændbart affald, som f.eks. blade, græs og grene.

- Lad lydpotte, motorcylinder og køleribber køle af, før du rører ved dem.
- Fjern brændbart materiale fra området omkring lydporten og cylinderen.

BEMÆRK Brug ikke vand til at rengøre motoren. Vand kan forurene brændstofsyste-
met. Brug i stedet en børste eller en tør klud til at rengøre motoren.

Dette er en luftkølet motor. Dette er en luftkølet motor. Snavs og rester kan begrænse luftstrømmen og resultere i overhedning af motoren med forringet ydelse og reduceret levetid af motoren til følge.

1. Anvend en børste eller en tør klud til at fjerne snavs fra luftindsugningsområdet (A, figur 15).
2. Sørg for, at forbindelseskabler, fjedre og betjeningsgreb (B, figur 15, 16) er rene.
3. Hold området omkring og bag lyd-dæmperen (C, figur 15, 16) fri for brændbart affald for at undgå antænding af dette.
4. Kontrollér, at olietænderne (D, figur 15) er fri for snavs og affald.
5. Løsn monteringsanordning(erne) (E, figur 16), indtil du hører et klik. Afmonter panelet (F), og rengør området for snavs og rester. Sørg for, at undersiden af panelet også er ren.
6. Monter panelet (B, figur 16), og fastgør det med monteringsanordning(er) (E). Tilspænd monteringsanordning(erne), indtil du hører et klik.

Med tiden kan der samle sig snavs i cylinderens køleribber, hvilket kan medføre overophedning af motoren. Dette snavs kan ikke ses uden delvist at adskille motoren. Få en autoriseret forhandler fra Briggs & Stratton til at inspicere og rengøre luftkølesystemet som anbefalet i **Vedligeholdelsesoversigten**.

Opbevaring



ADVARSEL

Benzin og benzindampe er ekstremt brændbare og eksplosive.

Brand eller eksplosion kan forårsage alvorlige forbrændinger eller dødsfald.

Opbevaring af brændstof eller udstyr med brændstof i tanken

- Opbevares på afstand af fyr, ovne, vandvarmere eller andet udstyr, som kan have en tændflamme eller anden antændelseskilde, da de kan antænde benzindampe.

Brændstofsistem

Se figur: 17

Opbevar motoren plant (almindelig driftsposition). Fyld brændstoffranken (A, figur 17) med brændstof. Fyld ikke over brændstoffrankens hals (B), så brændstoffet kan ekspandere.

Brændstof kan blive forældet, når det opbevares i over 30 dage. Gammelt brændstof kan forårsage dannelse af syre- og gummi aflejringer i brændstofsyste-
met eller på væsentlige karburatordele. For at holde brændstof frisk anvendes **Briggs & Stratton Advanced Formula Fuel Treatment & Stabilizer**, som er tilgængelig hvor originale reservedele til Briggs & Stratton sælges.

Der er ingen grund til at tømme motoren for brændstof, hvis en brændstofstabilisator anvendes ifølge vejledningen. Lad motoren køre i to minutter for at stabilisatoren kan cirkulere gennem brændstofsyste-
met inden opbevaring.

Hvis benzinen i motoren ikke er blevet behandlet med en brændstofstabilisator, skal den aftappes i en godkendt beholder. Lad motoren køre indtil der ikke er mere brændstof tilbage. Brugen af en brændstofstabilisator i opbevaringsbeholderen anbefales for at bevare det frisk.

Motorolie

Skift motorolien, mens motoren stadig er varm. Se afsnittet **Skift motorolie**.

Fejlfinding

Hvis du har brug for hjælp, skal du kontakte din lokale forhandler eller gå til **VanguardEngines.com** eller ringe til **1-800-999-9333** (i USA).

Specifikationer

Model: 540000	
Slagvolumen	54.68 ci (896 cc)
Boring	3.366 in (85,5 mm)
Slaglængde	3.071 in (78,0 mm)
Oliekapacitet	78 - 80 oz (2,3 - 2,4 L)
Tændrørgab	.030 in (.76 mm)
Tilspændingsmoment for tændrør	180 lb-in (20 Nm)
Rotorelektrodeafstand	.005 - .008 in (.13 - .20 mm)
Ventilspillerum (indsugning)	.004 - .006 in (.10 - .15 mm)
Ventilspillerum (udstødning)	.007 - .009 in (.18 - .23 mm)

Model: 610000, 61E100	
Slagvolumen	60.60 ci (993 cc)
Boring	3.366 in (85,5 mm)
Slaglængde	3.406 in (86,5 mm)
Oliekapacitet	78 - 80 oz (2,3 - 2,4 L)
Tændrørgab	.030 in (.76 mm)
Tilspændingsmoment for tændrør	180 lb-in (20 Nm)
Rotorelektrodeafstand - Karburatormodeller	.005 - .008 in (.13 - .20 mm)
Ventilspillerum (indsugning)	.004 - .006 in (.10 - .15 mm)
Ventilspillerum (udstødning)	.007 - .009 in (.18 - .23 mm)

Motoreffekten falder med 3,5 % for hver 300 m over havets overflade og med 1 % for hver 5,6 °C over 25 °C. Motoren kan køre tilfredsstillende ved en hældning på op til 15°. Yderligere oplysninger om grænseværdierne for drift på hældninger findes i redskabets betjeningsvejledning.

Reservedele - Model: 540000, 610000, 61E100	
Reservedel	Delnummer
Cyklonisk luftfilter (figur 12)	841497
Cyklonisk sikkerhedsfilter (figur 12)	821136
Luftfilter, lavprofil (figur 13)	692519
Forfilter, lavprofil (figur 13)	692520
Olie - SAE 30	100028
Oliefilter	842921
Advanced Formula Fuel Treatment & Stabilizer	100117, 100120
Brændstoffilter	691035
Tændrørsmodstand	491055
Long Life Platinum tændrør	5066
Tændrørsnøgle	19374
Gnistester	19368

Vi anbefaler, at du kontakter en autoriseret Briggs & Stratton forhandler vedrørende al vedligeholdelse og service af motoren og motordele.

Effektangivelse: Bruttoeffekten for hver enkelt benzinmotormodel er afmærket i henhold til SAE-kode J1940 (Society of Automotive Engineers) - procedure til angivelse af effekt og moment for små motorer - og angivet i henhold til SAE J1995. Momentværdier afledes ved 2600 o./min. for motorer med "rpm" på mærkatene, og 3060 o./min for alle andre. Hestekræftværdier afledes ved 3600 o./min. Bruttoeffektkurverne kan ses på www.BRIGGSandSTRATTON.com. Nettoeffektværdier bliver målt med udstødnings- og luftfilter monteret, hvorimod bruttoeffektværdier bliver målt uden disse anordninger. Bruttomotoreffekten vil være højere end den faktiske nettomotoreffekt, som påvirkes bl.a.

af lokale driftsforhold og variationer fra motor til motor. I betragtning af de mange forskellige produkter, motorerne anvendes i, yder benzinmotoren måske ikke den nominelle bruttoeffekt, når den anvendes på et givent motorredskab. Denne forskel skyldes en lang række forskellige faktorer, som blandt andet kan omfatte forskelle i motorkomponenter (luftfilter, udstødning, opladning, køling, karburator, brændstofpumpe osv.), anvendelsesbegrænsninger, lokale driftsforhold (temperatur, luftfugtighed, højde over havet) og variationer fra motor til motor. Som følge af produktions- og kapacitetsbegrænsninger forbeholder Briggs & Stratton sig ret til at udskifte motoren i denne serie med en motor med højere nomineret effekt.

Garanti

Briggs & Stratton – Motorgaranti

Gældende fra januar 2017

Begrænset garanti

Briggs & Stratton garanterer, at man i løbet af garantiperioden angivet nedenfor vil reparere eller udskifte enhver del, der er defekt i materiale eller håndværk eller begge dele, uden beregning. Transportomkostninger i forbindelse med et produkt, som indleveres til reparation eller udskiftning under denne garanti, afholdes af køberen. Denne garanti er gyldig inden for tidsperioderne og underlagt nedenstående betingelser. Find den nærmeste autoriserede serviceforhandler på kortet over forhandlere på BRIGGSandSTRATTON.COM i forbindelse med service under garantien. Køberen skal kontakte den autoriserede serviceforhandler og derefter stille produktet til rådighed for den autoriserede serviceforhandler med henblik på inspektion og afprøvning.

Der ydes ikke nogen anden udtrykkelig garanti. Underforståede garantier, inklusive garantier for salgbarhed og egnethed til et bestemt formål, er begrænset til garantiperioden, der er angivet nedenfor, eller i den udstrækning loven tillader.

Ansvar for hændelige skader eller følgeskader er udelukket, i det omfang lovgivningen tillader udelukkelse. Visse stater eller lande tillader ikke begrænsninger på, hvor lang tid en underforstået garanti varer, og visse stater eller lande tillader ikke udelukkelse eller begrænsning af tilfældig skade eller følgeskade, så ovenstående begrænsning og udelukkelse er måske ikke gældende for dig. Denne garanti giver dig specifikke juridiske rettigheder, og du kan endvidere have andre rettigheder, som kan variere fra land til land.

Almindelige garantibestemmelser 1, 2, 3

Mærke / produktnavn	Privat brug	Erhvervs­mæssig brug
Vanguard™; kommerciel serie	36 måneder	36 måneder
Motorer med Dura-Bore™-støbejernsboring	24 måneder	12 måneder
Alle andre motorer	24 måneder	3 måneder

¹ Dette er vores vilkår for standardgaranti, men der kan lejlighedsvist være ekstra garantidækning, der ikke var fastslået på tidspunktet for offentliggørelsen. Hvis du ønsker en liste over gældende garantivilkår for din motor, så gå til BRIGGSandSTRATTON.com, eller kontakt din autoriserede Briggs & Stratton-serviceforhandler.

² Der er ikke garanti for motorer på udstyr, der bruges til priming i stedet for et værktøj eller til standbygeneratorer, der anvendes til kommercielle formål. Motorer, der anvendes til konkurrencemæssig motorsport eller på erhvervs- eller udlejningsbaner, er ikke omfattet af garantien.

³ Vanguard installeret på standbygeneratorer: 24 måneder ved privat brug. Der gives ikke garanti ved erhvervs­mæssig brug. Vanguard installeret på hjælpe­køretøjer: 24 måneder ved privat brug, 24 måneder ved erhvervs­mæssig brug. Kommerciel serie med fremstillingsdato før juli 2017, 24 måneder ved privat brug, 24 måneder ved erhvervs­mæssig brug.

⁴ I Australien - Vores produkter sælges med en garanti, der ikke kan bortfalde i henhold til den australske forbrugerlovgivning. Du er berettiget til en erstatning eller refundering i tilfælde af en væsentlig defekt eller til kompensation for ethvert forudseeligt tab eller skade. Du er derudover berettiget til at få dine varer repareret eller erstattet, hvis varen ikke lever op til kvaliteten, og manglen ikke er i forbindelse med en væsentlig defekt. I forbindelse med service under garantien findes den nærmeste autoriserede serviceforhandler på kortet over forhandlere på BRIGGSandSTRATTON.COM, ved at ringe til 1300 274 447 eller ved at sende en e-mail eller skrive til salesenquires@briggsandstratton.com.au, Briggs & Stratton Australia Pty Ltd, 1 Moorebank Avenue, Moorebank, NSW, Australia, 2170.

Garantiperioden starter på købsdatoen for den første almindelige eller erhvervs­mæssige bruger. "Privat brug" betyder brug i personlig beboelseshusholdning af en detailkunde. "Erhvervs­mæssig brug" betyder al anden form for brug, inklusive erhvervs­mæssigt, indkomstdannende eller lejebaseret formål. Når en motor har været anvendt erhvervs­mæssigt, skal den herefter anses for at være en motor til erhvervsbrug i henhold til denne garanti.

Gem dit købsbevis. Hvis du ikke kan fremvise bevis for den oprindelige købsdato på det tidspunkt, hvor der bliver anmodet om garantiservice, vil produktets produktionsdato blive brugt som grundlag for garantien. Det er ikke nødvendigt at registrere sit produkt for at opnå garanti på Briggs & Stratton produkter.

Om garantien

Denne garanti dækker alene motor-relaterede materiale- og/eller fremstillingsfejl og ikke udskiftning eller tilbagebetaling for det redskab, hvorpå motoren måtte være monteret. Rutinemæssig vedligeholdelse, optuning, justeringer eller normal slitage dækkes ikke under denne garanti. På samme måde gælder denne garanti heller ikke, hvis motoren er ændret eller modificeret, eller hvis motorens serienummer er ødelagt eller fjernet. Denne garanti dækker ikke motorskade eller driftsproblemer som følge af:

1. Brug af dele, der ikke er originale dele fra Briggs & Stratton
2. Betjening af motoren med utilstrækkelig, forurenede eller forkert type olie
3. Brug af forurenede eller gammel olie, benzin med mere end 10 % etanol eller brug af alternative brændstoffer som petroleumsvæske eller naturgas på motorer, der ikke oprindeligt er udviklet/fremstillet af Briggs & Stratton til at fungere med sådanne brændstoffer
4. Snavs, der er trængt ind i motoren på grund af utilstrækkelig vedligeholdelse af luftrensesystemet eller genmontering
5. Stød mod et objekt med skæreblandet i en roterende plæneklipper, løse eller forkert installerede bladadaptere, rotor eller andet udstyr koblet på krumtapakslen eller for høj V-remspænding
6. Tilhørende dele eller tilbehør som koblinger, transmissioner, udstyrskontroller osv., som ikke leveres af Briggs & Stratton
7. Overophedning på grund af græsslåning, snavs og affald eller gnaverredere, der tilstopper kølefinerne eller svinghjulsovrådet eller drift af motoren uden tilstrækkelig ventilation
8. Overdreven vibration på grund af for høj hastighed, løs motormontering, løse eller ubalancerede skæreblande eller rotor eller forkert kobling af udstyrskomponenter på krumtapakslen
9. Misbrug, mangel på rutinevedligeholdelse, forsendelse, håndtering eller udstyrets opbevaring på lager eller forkert motorinstallation.

Servicegarantien er kun tilgængelig via autoriserede Briggs & Stratton-serviceforhandlere. Find din nærmeste serviceforhandler på vores forhandlerkort på BRIGGSandSTRATTON.COM, eller ved at ringe til 1-800-233-3723 (i USA).

80004537 (rev. C)

Dieses Handbuch enthält Sicherheitshinweise, die Sie auf die Gefahren und Risiken beim Betrieb von Motoren hinweisen und Ihnen helfen sollen, diese Gefahren zu vermeiden. Es enthält außerdem Anweisungen zur richtigen Verwendung und Pflege des Motors. Da Briggs & Stratton nicht genau wissen kann, welches Gerät von diesem Motor angetrieben wird, ist es wichtig, dass Sie diese Anweisungen sowie die Anweisungen für das Gerät, das von diesem Motor angetrieben wird, gründlich durchlesen. **Bewahren Sie diese Original-Bedienungsanleitung zum späteren Nachschlagen auf.**

Hinweis: Die Abbildungen und Illustrationen in dieser Anleitung dienen nur zur Orientierung und können vom jeweiligen Modell abweichen. Wenden Sie sich bei Fragen an Ihren Händler.

Um in Zukunft Ersatzteile oder technische Unterstützung für Ihren Motor zu erhalten, sollten Sie sich hier die Modell-, Typen- und Codenummer Ihres Motors sowie das Kaufdatum notieren. Diese Nummern befinden sich an Ihrem Motor (siehe Abschnitt **Funktionen und Bedienungselemente**).

Kaufdatum	
Motormodell – Typ – Trim	
Motorseriennummer	

An einigen Motoren befindet sich ein 2D-Barcode. Wenn der Code mit einem 2D-Gerät gescannt wird, wird unsere Website aufgerufen, auf der Sie Informationen zu diesem Produkt bekommen können. Es gelten entsprechende Datenraten. In einigen Ländern ist möglicherweise keine Online-Unterstützung verfügbar.



Recycling-Informationen

		Alle Verpackungsmaterialien, Altöl und Batterien müssen entsprechend den geltenden gesetzlichen Bestimmungen recycelt werden.
--	--	---

Bedienersicherheit

Sicherheitswarnsymbol und Signalwörter

Das Sicherheitswarnsymbol kennzeichnet Sicherheitsinformationen zu Risiken, die zu Verletzungen führen können. Ein Signalwort (GEFAHR, WARNUNG oder VORSICHT) wird zusammen mit dem Warnsymbol verwendet, um den Grad der Gefahr und die Schwere der möglichen Verletzung anzugeben. Darüber hinaus kann ein Gefahrensymbol zur Kennzeichnung der Art der Gefahr benutzt werden.

GEFAHR weist auf eine Gefahr hin, die **zum Tod oder zu schweren Verletzungen führt**, wenn sie nicht vermieden wird.

WARNUNG weist auf eine Gefahr hin, die **zum Tod oder zu schweren Verletzungen führen könnte**, wenn sie nicht vermieden wird.

VORSICHT weist auf eine Gefahr hin, die **zu leichten bis mittelschweren Verletzungen führen könnte**, wenn sie nicht vermieden wird.

HINWEIS weist auf eine Situation hin, in der **das Produkt beschädigt werden könnte**.

Gefahrensymbole und ihre Bedeutung

Symbol	Bedeutung	Symbol	Bedeutung
	Sicherheitsinformationen zu Gefahren, die zu Verletzungen führen können.		Lesen Sie sich die Bedienungsanleitung gründlich durch, bevor Sie das Gerät einsetzen oder warten.

Symbol	Bedeutung	Symbol	Bedeutung
	Feuergefahr		Explosionsgefahr
	Stromschlaggefahr		Gefährdung durch giftige Dämpfe
	Gefährdung durch heiße Oberflächen		Lärmgefährdung – bei längerem Einsatz wird ein Gehörschutz empfohlen.
	Gefährdung durch hochgeschleuderte Gegenstände – Augenschutz tragen.		Explosionsgefahr
	Erfrierungsgefahr		Rückschlaggefahr
	Amputationsgefahr – bewegliche Teile		Gefährdung durch Chemikalien
	Gefährdung durch Wärme		Ätzend

Sicherheitsvorkehrungen

WARNUNG

Gemäß den Erkenntnissen des Staates Kalifornien enthalten bestimmte Bestandteile und Zubehörteile des Produkts Chemikalien, die Krebs oder Geburtsfehler verursachen oder die Fortpflanzungsfähigkeit beeinträchtigen können. Waschen Sie sich nach Umgang mit solchen Teilen die Hände.

WARNUNG

Gemäß den Erkenntnissen des Staates Kalifornien enthalten die Motorabgase dieses Produkts Chemikalien, die Krebs oder Geburtsfehler verursachen oder die Fortpflanzungsfähigkeit beeinträchtigen können.

WARNUNG

Motoren von Briggs & Stratton sind nicht konzipiert und nicht geeignet für den Antrieb von Fun-Karts, Go-Karts, Freizeitfahrzeugen für Kinder, Geländefahrzeugen für den Motorsport, Motorrädern, Luftkissenfahrzeugen, Luftfahrzeugen oder Fahrzeugen für den Rennsport, wenn dies nicht von Briggs & Stratton genehmigt ist. Informationen über Rennsportprodukte finden Sie auf www.briggsracing.com. Zum Einsatz mit Nutzfahrzeug-ATVs und Side-by-side-ATVs wenden Sie sich bitte an das Briggs & Stratton Engine Application Center, 1-866-927-3349. Unvorschriftsmäßige Motoranwendung kann zu schweren Verletzungen oder zum Tod führen.

WARNUNG

Kraftstoff und Kraftstoffdämpfe sind extrem entzündlich und es besteht Explosionsgefahr.

Brand oder Explosionen können zu schweren Verbrennungen oder Tod führen.

Bei der Betankung

- Stellen Sie den Motor ab und lassen Sie ihn mindestens 2 Minuten abkühlen, bevor Sie die Verschlusskappe entfernen.
- Füllen Sie den Tank im Freien oder an einem gut belüfteten Ort auf.

- Überfüllen Sie den Kraftstofftank nicht. Füllen Sie den Kraftstoff nicht über die Unterkante des Tankstutzens auf, damit sich das Benzin ausdehnen kann.
- Halten Sie den Kraftstoff von Funken, offenen Flammen, Zündflammen, Hitze oder anderen Zündquellen fern.
- Überprüfen Sie die Kraftstoffleitungen, den Tank, den Tankdeckel und die Anschlüsse regelmäßig auf Risse und Undichtheiten. Wechseln Sie die Teile gegebenenfalls aus.
- Sollte Kraftstoff auslaufen, warten Sie ab, bis dieser verdunstet ist und starten Sie erst dann den Motor.

Beim Starten des Motors

- Darauf achten, dass Zündkerze, Schalldämpfer, Tankdeckel und Luftfilter (falls vorhanden) an ihrem Platz und sicher befestigt sind.
- Den Motor nicht anlassen, wenn die Zündkerze entfernt wurde.
- Falls der Motor absäuft, stellen Sie den Choke (falls vorhanden) auf die Position OFFEN/BETRIEB, bewegen Sie den Hebel (falls vorhanden) in die Position SCHNELL und lassen Sie den Motor an.

Bei Betrieb des Geräts

- Motor bzw. Gerät nicht so kippen, dass Kraftstoff verschüttet werden könnte.
- Den Vergaser nicht abdrosseln, um den Motor abzustellen.
- Starten Sie niemals den Motor, wenn der Luftreiniger (falls vorhanden) oder der Luftfilter (falls vorhanden) entfernt wurde.

Beim Ölwechsel

- Wenn Sie das Öl über das oben befindliche Öleinfüllrohr ablassen, muss der Kraftstofftank leer sein, da ansonsten Kraftstoff auslaufen kann und somit Feuer- und Explosionsgefahr besteht.

Wenn das Gerät zur Wartung gekippt wird

- Bei Wartungsarbeiten, bei denen das Gerät gekippt werden muss, muss der Kraftstofftank (falls am Motor befestigt) leer sein, weil sonst Kraftstoff auslaufen und Feuer oder Explosionen verursachen kann.

Beim Transport des Geräts

- Beim Transport muss der Kraftstofftank LEER oder der Kraftstoffhahn GESCHLOSSEN sein.

Bei der Lagerung von Brennstoff oder Geräten mit Brennstoff im Tank

- Nicht in der Nähe von Öfen, Herdplatten, Wasserboilern oder anderen Geräten lagern, die Kontrollleuchten oder andere Zündquellen haben, weil sie Brennstoffdämpfe entzünden können.



WARNUNG

Beim Starten des Motors entstehen Funken.

Die Funken können entflammbare Gase entzünden.

Es können Explosionen oder Feuer entstehen.

- Besteht die Gefahr der Ausströmung von Flüssig- oder Naturgas, darf der Motor nicht gestartet werden.
- Verwenden Sie keine Starthilfe-Sprays, da deren Dämpfe leicht entzündbar sind.



WARNUNG

GIFTGASGEFAHR. Motorabgase enthalten Kohlenmonoxid, ein giftiges Gas, das Sie innerhalb von Minuten töten kann. Es ist unsichtbar, geruch- und geschmacklos. Auch wenn Sie keine Abgase riechen, können Sie trotzdem Kohlenmonoxid ausgesetzt sein. Sobald Sie sich während der Benutzung dieses Geräts übel, schwindlig oder schwach fühlen, gehen Sie SOFORT an die frische Luft. Suchen Sie einen Arzt auf. Sie könnten eine Kohlenmonoxidvergiftung haben.

- Setzen Sie dieses Produkt NUR im Freien in angemessener Entfernung von Fenstern, Türen und Lüftungsöffnungen ein, damit sich Kohlenmonoxid nicht ansammeln und möglicherweise in Räume eindringen kann, in denen sich Menschen aufhalten.
- Installieren Sie batteriebetriebene Kohlenmonoxid-Warmmelder oder netzbetriebene Warmmelder mit Batterie-Notstromversorgung entsprechend den Herstelleranweisungen. Rauchmelder reagieren nicht auf Kohlenmonoxid.
- Lassen Sie dieses Gerät NICHT in Wohnungen, Garagen, Kellern, Zwischenräumen, Schuppen oder anderen teilweise geschlossenen Räumen laufen, selbst wenn Sie Ventilatoren oder offene Türen und Fenster zur Belüftung verwenden.

- Kohlenmonoxid kann sich schnell in diesen Räumen ansammeln und dort stundenlang bleiben, auch nachdem das Gerät ausgeschaltet wurde.
- Stellen Sie dieses Produkt IMMER in Windrichtung auf und richten Sie den Motorauspuff weg von Räumen, in denen sich Menschen aufhalten.



WARNUNG

Durch schnellen Rückzug des Starterseils werden Hand und Arm schneller zum Motor gezogen, als das Seil losgelassen werden kann.

Letzteres kann zu Knochenbrüchen, Prellungen oder Verstauchungen führen.

- Beim Starten des Motors ziehen Sie langsam am Kabel, bis der Widerstand gelöst wird, dann ziehen Sie einmal schnell, um ein Kickback zu vermeiden.
- Alle externen Geräte- und Motorlasten beseitigen, bevor der Motor gestartet wird.
- Direkt mit dem Motor verbundene Gerätekomponenten wie u. a. Schnittmesser, Impeller, Seilscheiben, Zahnräder usw. müssen sicher befestigt sein.



WARNUNG

Die rotierenden Teile können mit den Händen, Füßen, dem Haar, Kleidungsstücken oder ähnlichem in Kontakt kommen oder diese einklemmen.

Es kann zu Amputationen oder anderen schweren Verletzungen kommen.

- Beim Einsatz des Geräts müssen sich alle Schutzvorrichtungen an ihrem Platz befinden.
- Hände und Füße von rotierenden Teilen fern halten.
- Stecken Sie lange Haare hoch und legen Sie Schmuck ab.
- Keine lose sitzende Kleidung, herunterbaumelnde Schnüre oder ähnliche Teile tragen, die sich verfangen könnten.



WARNUNG

Laufende Motoren erzeugen Wärme. Teile des Motors, besonders der Schalldämpfer, können sehr heiß werden.

Bei Berührung kann es zu schweren Verbrennungen kommen.

Brennbare Rückstände wie z.B. Blätter, Gras, Büsche etc. können in Brand geraten.

- Lassen Sie den Schalldämpfer, die Zylinder und die Rippen des Kühlers abkühlen, bevor Sie sie anfassen.
- Entfernen Sie Ablagerungen vom Schalldämpfer und vom Zylinder.
- Es bedeutet einen Verstoß gegen das Kapitel 4442 der öffentlichen Vorschrift zur Verwendung von Rohstoffen von Kalifornien, den Motor in der Nähe von waldbedeckten, buschbedeckten oder grasbedeckten Ländereien zu verwenden, es sei denn, das Auspuffsystem ist effektiv gewartet und mit einem Funkenfänger ausgestattet, wie in Abschnitt 4442 beschrieben. Andere Staaten oder Bundesgebiete können ähnliche Gesetze haben. Einen passenden Funkenfänger für die an diesem Motor installierte Auspuffanlage finden Sie beim Gerätehersteller oder Händler.



WARNUNG

Versehentliche Funkenbildung kann Feuer oder Stromschläge verursachen.

Ein ungewollte Inbetriebsetzung kann zum Einziehen, Abtrennen von Gliedmaßen oder zu Schnittverletzungen führen.

Brandgefahr

Vor Einstellungs- oder Reparaturarbeiten:

- Das Zündkabel abziehen und von der Zündkerze fern halten.
- Die Batterie an der negativen Klemme trennen (nur Motoren mit Elektrostart).
- Die richtigen Werkzeuge verwenden.
- Keine Reglerfeder, Gestänge oder andere Teilen manipulieren, um die Drehzahl zu erhöhen.
- Ersatzteile müssen den Originalteilen entsprechen und in derselben Position angebracht werden. Andere Ersatzteile können möglicherweise nicht richtig funktionieren, die Maschine beschädigen und zu Verletzungen führen.
- Nicht mit einem Hammer oder anderen harten Gegenstand gegen das Schwungrad schlagen, weil es sonst später während des Betriebs auseinander platzen könnte.

Bei der Zündfunkenkontrolle:

- Einen zugelassenen Zündkerzenprüfer verwenden.
- Zündung nicht bei entfernter Zündkerze überprüfen.

Funktionen und Bedienungselemente

Bedienungselemente am Motor

Vergleichen Sie die Abbildung (Abb.: 1, 2, 3, 4) mit Ihrem Motor, um die Positionen der einzelnen Funktionen und Bedienungselemente kennen zu lernen.

- A. Motorkennzeichnung **Modell - Typ - Code**
- B. Zündkerze
- C. Zyklon-Luftfilter
- D. Luftfilter, flach
- E. Ölmesstab
- F. Öleinfüllöffnung
- G. Ölfilter
- H. Ölablassschraube
- I. Öldruckgeber
- J. Fingerschutz
- K. E-Starter
- L. Anlasser-Magnetschalter
- M. Regler/Gleichrichter
- N. Vergaser – Vergasermodele
- O. Ölkühler (falls vorhanden)
- P. Schalldämpfer (falls vorhanden)
- Q. Kraftstoffpumpe
- R. Starterschalter ¹
- S. Gashebel ¹
- T. Chokehebel – Vergasermodele ¹
- U. Kraftstofffilter (falls vorhanden)

¹ Einige Motoren und Geräte sind mit Fernbedienung ausgestattet. Zu Position und Betätigung der Fernbedienung siehe die Geräteanleitung.

Symbole zur Motorregelung und ihre Bedeutungen

Symbol	Bedeutung	Symbol	Bedeutung
	Motordrehzahl – SCHNELL		Motordrehzahl – LANGSAM
	Motordrehzahl – STOPP		EIN – AUS
	Motorstart – Choke GESCHLOSSEN		Motorstart – Choke OFFEN
	Tankdeckel Kraftstoffhahn – OFFEN		Kraftstoffhahn – GESCHLOSSEN

Symbol	Bedeutung	Symbol	Bedeutung
	Kraftstoffpegel – Maximum Nicht überfüllen		

Betrieb

Empfehlungen zum Öl

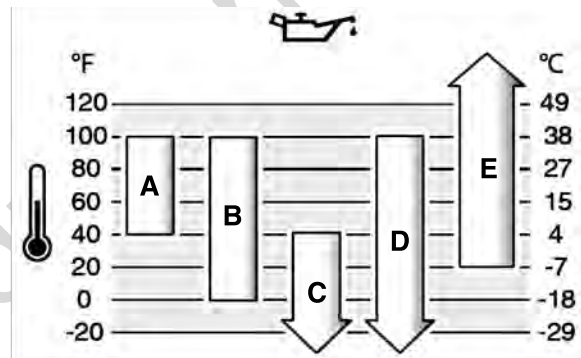
Ölmenge: Siehe den *Technische Daten* Abschnitt.

HINWEIS

Dieser Motor wird von Briggs & Stratton ohne Öl geliefert. Gerätehersteller oder Händler können Öl dem Motor hinzugefügt haben. Vor Start des Motors muss entsprechend den Anweisungen in dieser Anleitung der Ölstand überprüft und nachgefüllt werden. Wenn der Motor ohne Öl gestartet wird, wird er so beschädigt, dass er nicht mehr repariert werden kann. Dieser Schaden wird nicht von der Garantie abgedeckt.

Um eine bestmögliche Leistung zu garantieren, empfehlen wir die Verwendung von durch die Briggs & Stratton-Garantie abgedeckten Ölen. Andere hochwertige Öle sind zulässig, wenn sie für die Klassen SF, SG, SH, SJ oder höher klassifiziert sind. Verwenden Sie keine speziellen Additive.

Die Lufttemperaturen bestimmen die richtige Ölviskosität für den Motor. Verwenden Sie die Tabelle, um die beste Viskosität für den erwarteten Außentemperaturbereich auszuwählen. Motoren auf den meisten Outdoor-Geräten funktionieren gut mit 5W-30 Synthetiköl. Bei Geräten, die unter heißen Temperaturen betrieben werden, bietet Vanguard™ 15W-50 Synthetisches Öl den besten Schutz.



A	SAE 30 – SAE 30 Unter 4 °C führt die Verwendung von SAE 30 zu einem schweren Start.
B	10W-30 – Bei über 27 °C kann die Verwendung von 10W-30 zu einem höheren Ölverbrauch führen. Überprüfen Sie den Ölstand öfter.
C	5W-30
D	Synthetisch 5W-30
E	Vanguard™ Synthetic 15W-50

Ölstandskontrolle

Siehe Abbildung: 5

Vor dem Nachfüllen von Öl bzw. der Ölstandskontrolle

- Darauf achten, dass der Motor waagrecht steht.
- Schmutz vom Öleinfüllbereich entfernen.

1. Den Ölmesstab (A, Abb. 5) herausnehmen und mit einem sauberen Tuch abwischen.
2. Den Ölmesstab (A, Abb. 5) ganz einsetzen.
3. Den Ölmesstab herausziehen und den Ölstand kontrollieren. Bei korrektem Ölstand steht das Öl oben an der Voll-Marke (B, Abb. 5) am Ölmesstab.
4. Bei zu niedrigem Ölstand langsam Öl in die Motoröleinfüllöffnung (C, Abb. 5) gießen. **Nicht überfüllen.** Nach dem Einfüllen des Öls eine Minute warten und dann den Ölstand erneut kontrollieren.
5. Den Ölmesstab (A, Abb. 5) ganz einsetzen.

Ölmangel-Schutzsystem (falls vorhanden)

Einige Motoren sind mit einem Ölmangelsensor ausgestattet. Bei niedrigem Ölstand aktiviert der Sensor entweder eine Warnlampe oder stoppt den Motor. Den Motor abstellen und die folgenden Schritte durchgehen, bevor er wieder gestartet wird.

- Darauf achten, dass der Motor waagrecht steht.
- Den Ölstand kontrollieren. Siehe Abschnitt **Ölstandskontrolle**.
- Bei zu niedrigem Ölstand die erforderliche Menge Öl nachfüllen. Den Motor starten und kontrollieren, dass die Warnlampe (falls vorhanden) nicht aktiviert wird.
- Wenn der Ölstand nicht zu niedrig ist, den Motor nicht starten. Wenden Sie sich an einen Briggs & Stratton-Vertragshändler, um das Problem beheben zu lassen.

Empfehlungen zum Kraftstoff

Kraftstoff muss diese Anforderungen erfüllen:

- Sauberes, frisches, unverbleites Benzin.
- Mindestens 87 Oktan/87 AKI (91 RON). Bei Verwendung in großen Höhen siehe die Informationen weiter unten.
- Benzin mit einem Ethanol-Anteil bis zu 10% (Gasohol) ist akzeptabel.

HINWEIS Keine ungenehmigten Benzinsorten wie E15 und E85 verwenden. Kein Öl mit dem Benzin mischen. Den Motor nicht so modifizieren, dass er mit alternativen Kraftstoffen laufen kann. Bei Verwendung nicht zugelassener Kraftstoffe entstehen Schäden an Motorkomponenten, die von der Garantie nicht abgedeckt werden.

Zum Schutz der Kraftstoffanlage vor Kraftstoffrückständen sollte dem Kraftstoff ein Kraftstoffstabilisator beigemischt werden. Siehe **Lagerung**. Nicht jeder Kraftstoff ist gleich. Wenn es zu Start- oder Leistungsproblemen kommt, sollte der Kraftstoff anderswo gekauft oder die Marke gewechselt werden. Der Motor ist für den Betrieb mit Benzin zugelassen. Der Motor hat das Abgassystem EM (Engine Modifications).

Einsatz in großen Höhen

In Höhen über 1500 m ist Benzin mit mindestens 85 Oktan/85 AKI (89 RON) akzeptabel.

Bei Vergasermotoren ist eine Einstellung für große Höhen erforderlich, damit die Leistung beibehalten wird. Wenn der Motor ohne diese Einstellung läuft, kommt es zu Leistungsabfall, erhöhtem Kraftstoffverbrauch und erhöhten Emissionen. Informationen zur Einstellung für große Höhen bekommen Sie bei einem Briggs & Stratton-Vertragshändler. Es wird nicht empfohlen, den Motor mit der Einstellung für große Höhen in Höhen unter 760 m einzusetzen.

Bei Motoren mit elektronischer Kraftstoffeinspritzung (EFI) ist keine Einstellung für große Höhen erforderlich.

Einfüllen von Kraftstoff

Siehe Abbildung: 6



WARNUNG

Kraftstoff und Kraftstoffdämpfe sind extrem leicht entflammbar und explosiv.

Feuer oder Explosionen können zu schweren Verbrennungen oder Tod führen.

Beim Nachfüllen von Kraftstoff

- Den Motor ausschalten und mindestens 2 Minuten lang abkühlen lassen, bevor der Tankdeckel abgenommen wird.
 - Den Tank im Freien oder an einem gut belüfteten Ort auffüllen.
 - Den Tank nicht überfüllen. Um dem Kraftstoff Platz zum Ausdehnen zu lassen, nicht über die Unterkante des Kraftstofftankstutzens hinaus füllen.
 - Den Kraftstoff von Funken, offenen Flammen, Zündflammen, Hitze oder anderen Zündquellen fern halten.
 - Kraftstoffleitungen, Tank, Tankdeckel und Anschlüsse regelmäßig auf Risse und Undichtigkeiten überprüfen. Schadhafte Teile austauschen.
 - Wenn Kraftstoff verschüttet wurde, warten, bis sich die Dämpfe verflüchtigt haben, bevor der Motor gestartet wird.
1. Den Bereich um den Tankdeckel von Schmutz und Fremdkörpern reinigen. Den Tankdeckel abnehmen.
 2. Den Kraftstofftank (A, Abb. 6) mit Kraftstoff füllen. Um dem Kraftstoff Platz zum Ausdehnen zu lassen, nicht über die Unterkante des Kraftstofftankstutzens (B) hinaus füllen.
 3. Den Tankdeckel wieder anbringen.

Start und Stopp des Motors

Siehe Abbildung: 7

Starten des Motors



WARNUNG

Kraftstoff und Kraftstoffdämpfe sind extrem leicht entflammbar und explosiv.

Feuer oder Explosionen können zu schweren Verbrennungen oder Tod führen.

Beim Starten des Motors

- Darauf achten, dass Zündkerze, Schalldämpfer, Tankdeckel und Luftfilter (falls vorhanden) an ihrem Platz und sicher befestigt sind.
- Den Motor nicht anlassen, wenn die Zündkerze entfernt wurde.
- Wenn der Motor überfettet ist, den Choke (falls vorhanden) auf OFFENE/BETRIEBS-Position und den Gashebel (falls vorhanden) auf SCHNELLE Position stellen und den Motor anlassen, bis er anspringt.



WARNUNG

GIFTGASGEFAHR. Motorabgase enthalten Kohlenmonoxid, ein giftiges Gas, das einen Menschen innerhalb weniger Minuten töten kann. Es ist unsichtbar, geruchs- und geschmacklos. Auch wenn Sie Abgase nicht riechen, können Sie trotzdem Kohlenmonoxid ausgesetzt sein. Wenn Sie merken, dass Ihnen während der Verwendung dieses Produktes schlecht, schwindelig oder flau wird, schalten Sie das Gerät SOFORT aus und gehen Sie an die frische Luft! Suchen Sie einen Arzt auf! Sie könnten eine Kohlenmonoxidvergiftung haben.

- Dieses Produkt darf NUR im Freien in angemessener Entfernung von Fenstern, Türen und Lüftungsöffnungen eingesetzt werden, damit sich Kohlenmonoxid nicht ansammeln und möglicherweise in Räume eindringen kann, in denen sich Menschen aufhalten.
- Installieren Sie batteriebetriebene Kohlenmonoxid-Warnmelder oder netzbetriebene Warnmelder mit Batterie-Notstromversorgung entsprechend den Herstelleranweisungen. Rauchmelder reagieren nicht auf Kohlenmonoxid.
- Dieses Gerät darf NICHT in Wohnungen, Garagen, Kellern, Zwischenräumen, Schuppen oder anderen teilweise geschlossenen Räumen laufen, selbst wenn Ventilatoren oder offene Fenster zur Belüftung benutzt werden. Kohlenmonoxid kann sich schnell in diesen Räumen ansammeln und dort stundenlang bleiben, auch nachdem das Gerät ausgeschaltet wurde.
- Dieses Produkt muss IMMER in Windrichtung aufgestellt und der Motorauspuff von Räumen weggerichtet werden, in denen sich Menschen aufhalten.

HINWEIS Dieser Motor wird von Briggs & Stratton ohne Öl geliefert. Vor Start des Motors muss entsprechend den Anweisungen in dieser Anleitung Öl nachgefüllt werden. Wenn der Motor ohne Öl gestartet wird, wird er so beschädigt, dass er nicht mehr repariert werden kann. Dieser Schaden wird nicht von der Garantie abgedeckt.

Ermittlung des Startsystems

Bevor der Motor gestartet wird, muss überprüft werden, mit welchem Startsystem er ausgestattet ist. Folgende Systeme sind möglich.

- **Elektronisches Kraftstoffeinspritzsystem (EFI):** Dieses System enthält die elektronische Kraftstoffeinspritzung. Es hat keinen Choke und keinen Primerbalg.
- **Chokesystem:** Dieses System hat einen Choke für Starts bei niedrigen Temperaturen. Einige Modelle haben einen separaten Chokehebel, während andere einen kombinierten Choke/Gashebel aufweisen. Dieser Typ hat keinen Primerbalg.

Hinweis: Das Gerät ist eventuell mit einer Fernbedienung ausgestattet. Zu Position und Betätigung der Fernbedienung siehe die Geräteanleitung.

Elektronisches Kraftstoffeinspritzsystem (EFI)

1. Den Motorölstand kontrollieren. Siehe Abschnitt **Ölstandskontrolle**.
2. Darauf achten, dass die Bedienelemente für den Geräteantrieb, falls vorhanden, ausgerastet sind.
3. Den Kraftstoffhahn (A, Abb. 7), falls vorhanden, auf OFFENE Position stellen.
4. Den Gashebel (B, Abb. 7), falls vorhanden, auf SCHNELLE Position stellen. Den Motor in SCHNELLE Position laufen lassen.
5. Den Stoppschalter (D, Abb. 7), falls vorhanden, auf AN-Position stellen.
6. Den E-Start-Schalter (E, Abb. 7) auf Position AN oder START stellen.

HINWEIS Um die Lebensdauer des Anlassers zu verlängern, den Anlasser jeweils nur kurz betätigen (maximal fünf Sekunden). Zwischen den Betätigungen jeweils eine Minute warten.

Hinweis: Wenn der Motor nach mehreren Versuchen nicht anspringt, wenden Sie sich bitte an den nächsten Händler, gehen Sie zu **VanguardEngines.com** oder rufen Sie die Nummer **1-800-999-9333** an (in den USA).

Chokesystem

1. Den Motorölstand kontrollieren. Siehe Abschnitt **Ölstandskontrolle**.
2. Darauf achten, dass die Bedienungselemente für den Geräteantrieb, falls vorhanden, ausgerastet sind.
3. Den Kraftstoffhahn (A, Abb. 7), falls vorhanden, auf OFFENE Position stellen.
4. Den Gashebel (B, Abb. 7), falls vorhanden, auf SCHNELLE Position stellen. Den Motor in SCHNELLE Position laufen lassen.
5. Den Chokehebel (C, Abb. 7) oder den kombinierten Choke/Gashebel auf GESCHLOSSENE Position stellen.

Hinweis: Wenn die Kraftstoffanlage leer ist (erstes Anlassen nachdem der Kraftstoff ausgegangen ist), benötigt das Anlassen des Motors bei aktiviertem Choke länger als gewöhnlich. Die Kraftstoffpumpe braucht einige Zeit, um die Kraftstoffanlage wieder zu füllen.

6. Den Stoppschalter (D, Abb. 7), falls vorhanden, auf AN-Position stellen.
7. Den Schlüsselschalter (E, Abb. 7) auf Position AN oder START drehen.
8. Falls der Motor startet, aber gleich wieder ausgeht, den Chokehebel (C, Abb. 7) auf OFFENE Position stellen und den Motor erneut starten.

HINWEIS Um die Lebensdauer des Anlassers zu verlängern, den Anlasser jeweils nur kurz betätigen (maximal fünf Sekunden). Zwischen den Betätigungen jeweils eine Minute warten.

9. Wenn sich der Motor aufwärmt, den Chokehebel (C, Abb. 7) auf OFFENE Position stellen.

Hinweis: Wenn der Motor nach mehreren Versuchen nicht anspringt, wenden Sie sich bitte an den nächsten Händler, gehen Sie zu **VanguardEngines.com** oder rufen Sie die Nummer **1-800-999-9333** an (in den USA).

Stoppen des Motors



Kraftstoff und Kraftstoffdämpfe sind extrem leicht entflammbar und explosiv.

Feuer oder Explosionen können zu schweren Verbrennungen oder Tod führen.

- Zum Stoppen des Motors nicht den Choke benutzen.
1. **Stoppschalter, falls vorhanden:** Den Stoppschalter (D, Abb. 7) auf AUS-Position stellen.
Schlüsselschalter, falls vorhanden Mit dem Gashebel auf LANGSAMER Position den Schlüsselschalter (E, Abb. 7) auf AUS-Position stellen. Den Schlüssel abziehen und an einem sicheren Ort für Kinder unzugänglich aufbewahren.
 2. Sobald der Motor aus ist, den Kraftstoffhahn (A, Abb. 7), falls vorhanden, auf GESCHLOSSENE Position stellen.

Wartung

HINWEIS Wenn der Motor während der Wartung gekippt wird, muss der Kraftstofftank leer sein und die Seite mit der Zündkerze muss nach oben zeigen. Wenn der Kraftstofftank nicht leer ist und wenn der Motor in eine andere Richtung gekippt wird, kann er eventuell später schwer zu starten sein, weil Öl oder Kraftstoff den Luftfilter und/oder die Zündkerze verschmutzt haben.



Bei Wartungsarbeiten, bei denen das Gerät gekippt werden muss, muss der Kraftstofftank leer sein, weil sonst Kraftstoff auslaufen und Feuer oder Explosionen verursachen kann.

Wir empfehlen, dass Sie sich für alle Wartungsarbeiten am Motor und an Motorteilen an einen Briggs & Stratton-Vertragshändler wenden.

HINWEIS Zum ordnungsgemäßen Betrieb müssen alle zum Bau dieses Motors verwendeten Komponenten an ihrem Platz bleiben.



Funken können Feuer oder Stromschläge verursachen.

Ungewollter Start kann schwere Verletzungen verursachen.

Feuergefahr

Vor Einstellungen oder Reparaturen:

- Das Zündkabel abziehen und von der Zündkerze fern halten.
- Die Batterie von der negativen Klemme lösen (nur Motoren mit Elektrostart).
- Die richtigen Werkzeuge verwenden.
- Nicht an Reglerfeder, Gestängen oder anderen Teilen herumbasteln, um die Drehzahl zu erhöhen.
- Ersatzteile müssen den Originalteilen entsprechen und in derselben Position angebracht werden. Andere Ersatzteile können möglicherweise nicht richtig funktionieren, das Gerät beschädigen und zu Verletzungen führen.
- Nicht mit einem Hammer oder anderen harten Gegenstand gegen das Schwungrad schlagen, weil es sonst später während des Betriebs auseinander platzen könnte.

Bei der Zündfunkenkontrolle:

- Einen zugelassenen Zündkerzenprüfer verwenden.
- Die Zündung nicht bei entfernter Zündkerze überprüfen.

Erklärung zur Emissionskontrolle

Wartung, Austausch oder Reparatur von Teilen des Abgassystems können von jeder Motorreparaturwerkstatt oder Person durchgeführt werden. Um allerdings gebührenfreie Arbeiten am Abgassystem zu erhalten, müssen derartige Arbeiten von einem Vertragshändler durchgeführt werden. Siehe die Erklärungen zur Emissionskontrolle.

Wartungsplan

Alle 8 Stunden oder täglich
<ul style="list-style-type: none"> • Motorölstand prüfen • Bereich um Schalldämpfer und Bedienungselemente reinigen
Alle 100 Stunden oder jährlich
<ul style="list-style-type: none"> • Zündkerzen austauschen • Motorölwechsel • Ölfilter (falls vorhanden) austauschen • Luftfilter warten ^{1, 2} • Vorfilter (falls vorhanden) reinigen ¹ • Auspuffanlage warten
Alle 250 Stunden
<ul style="list-style-type: none"> • Ventilspiel kontrollieren. Bei Bedarf einstellen.
Alle 400 Stunden oder jährlich
<ul style="list-style-type: none"> • Luftfilter austauschen ² • Kraftstofffilter austauschen • Kühlsystem warten ¹ • Ölkühlrippen reinigen ¹
Alle 600 Stunden oder jährlich
<ul style="list-style-type: none"> • Sicherheitsfilter austauschen (falls vorhanden)

¹ Bei hohem Staubaufkommen oder Fremdkörpern in der Luft häufiger reinigen.

² Bei jedem dritten Filterwechsel den innenliegenden Sicherheitsfilter (falls vorhanden) mit austauschen.

Elektronisches Kraftstoffeinspritzsystem (EFI)

Das EFI-System überwacht Motortemperatur, Motordrehzahl und Batteriespannung für Start und Warmlauf des Motors. Am System können keine Einstellungen vorgenommen werden. Falls es zu Start- oder Betriebsstörungen kommt, wenden Sie sich bitte an einen Briggs & Stratton-Vertragshändler.

HINWEIS Die folgenden Schritte sind genau zu befolgen, weil das EFI-System sonst beschädigt werden kann.

- Niemals den Motor starten, wenn die Batteriekabel lose sind.
- Den Schlüssel auf Aus-Position drehen, bevor die Batterie gelöst, ausgebaut und/oder eingebaut wird.
- Niemals ein Batterieladegerät zum Start des Motors verwenden.
- Niemals die Batteriekabel lösen, während der Motor läuft.
- Beim Anschluss der Batteriekabel zuerst das positive (+) Kabel und dann das negative (-) Kabel an der Batterie anschließen.
- Zum Laden der Batterie den Zündschalter auf Aus-Position drehen und das negative (-) Kabel von der Batterie abziehen.
- Kein Wasser direkt auf das elektronische Steuermodul spritzen.

Vergaser und Motordrehzahl

Es dürfen keine Einstellungen am Vergaser oder der Motordrehzahl vorgenommen werden. Der Vergaser wurde ab Werk für effizienten Betrieb unter den meisten Einsatzbedingungen eingestellt. Nicht an Reglerfeder, Gestänge oder anderen Teilen manipulieren, um die Drehzahl zu erhöhen. Falls Einstellungen nötig sind, wenden Sie sich bitte an einen Briggs & Stratton-Vertragshändler.

HINWEIS Der Gerätehersteller gibt die Höchstdrehzahl für den am Gerät installierten Motor an. Diese Drehzahl **darf nicht überschritten** werden. Falls Sie nicht sicher sind, wie hoch die maximale Drehzahl für das Gerät ist oder welche Drehzahl ab Werk eingestellt wurde, wenden Sie sich bitte an einen Briggs & Stratton-Vertragshändler. Für sicheren und einwandfreien Betrieb des Geräts darf die Motordrehzahl nur von einem qualifizierten Wartungstechniker eingestellt werden.

Wartung der Zündkerze

Siehe Abbildung: 8

Den Elektrodenabstand (A, Abb. 8) mit einer Drahtlehre (B) kontrollieren. Bei Bedarf den Elektrodenabstand nachstellen. Die Zündkerze einsetzen und mit dem empfohlenen Anzugswert festziehen. Zu Einstellungen des Elektrodenabstands und Anzugswerten siehe den Abschnitt **Technische Daten**.

Hinweis: In einigen Ländern sind Widerstandszündkerzen zur Unterdrückung von Zündsignalen vorgeschrieben. Wenn dieser Motor ursprünglich mit einer Widerstandszündkerze ausgestattet war, muss zum Austausch derselbe Zündkerzentyp verwendet werden.

Wartung der Auspuffanlage



Laufende Motoren erzeugen Wärme. Teile des Motors, besonders der Schalldämpfer, können sehr heiß werden.

Bei Berührung kann es zu schweren Verbrennungen kommen.

Brennbare Fremdkörper wie Laub, Gras usw. können sich entzünden.

- Schalldämpfer, Zylinder und Kühlrippen abkühlen lassen, bevor sie berührt werden.
- Fremdkörperansammlungen vom Schalldämpferbereich und Zylinderbereich entfernen.
- Der Einsatz des Motors auf Wald-, Busch- oder Grasland verstößt gegen das kalifornische Gesetz (public resource code, section 4442), wenn die Auspuffanlage nicht mit einem vorgeschriebenen betriebsfähigen Funkenfänger ausgestattet ist. In anderen Bundesstaaten können ähnliche Gesetze gelten. Einen passenden Funkenfänger für die an diesem Motor installierte Auspuffanlage finden Sie beim Gerätehersteller oder Händler.

Fremdkörperansammlungen vom Schalldämpfer- und Zylinderbereich entfernen. Den Schalldämpfer auf Risse, Korrosion oder andere Beschädigungen prüfen. Den Funkenfänger, falls vorhanden, entfernen und auf Beschädigungen oder Kohlenstoffablagerungen prüfen. Falls Schäden gefunden werden, müssen vor der Inbetriebnahme entsprechende Ersatzteile installiert werden.



Ersatzteile müssen den Originalteilen entsprechen und in derselben Position angebracht werden. Andere Ersatzteile können möglicherweise nicht richtig funktionieren, das Gerät beschädigen und zu Verletzungen führen.

Motorölwechsel

Siehe Abbildung: 9, 10, 11

Altöl ist Sondermüll, der ordnungsgemäß entsorgt werden muss. Es gehört nicht in den Hausmüll. Informationen zur Entsorgung von Altöl erhalten Sie bei Behörden, Werkstätten oder Fachhändlern.

Ölablass

1. Bei abgestelltem aber noch warmem Motor das/die Zündkerzenkabel (D, Abb. 9) abziehen und von der/den Zündkerze(n) (E) fern halten.
2. Den Ölmesstab (A, Abb. 10) herausziehen.
3. Die Ölablassschraube (F, Abb. 11) entfernen. Das Öl in einen zugelassenen Behälter ablassen.
4. Nachdem das Öl abgelassen worden ist, die Ölablassschraube (F, Abb. 11) einsetzen und festziehen.

Wechsel des Ölfilters, falls vorhanden

Einige Modelle sind mit einem Ölfilter ausgestattet. Zu Austauschintervallen siehe den **Wartungsplan**.

1. Das Öl aus dem Motor ablassen. Siehe Abschnitt **Ölablass**.
2. Den Ölfilter (G, Abb. 11) herausnehmen und ordnungsgemäß entsorgen.
3. Bevor der neue Ölfilter angebracht wird, die Ölfilterdichtung leicht mit frischem sauberem Öl schmieren.
4. Den Ölfilter mit der Hand so einsetzen, dass die Dichtung den Ölfilteradapter berührt. Dann den Ölfilter um 1/2 bis 3/4 Umdrehung festziehen.
5. Öl nachfüllen. Siehe Abschnitt **Nachfüllen von Öl**.
6. Den Motor starten und laufen lassen. Während der Motor warmläuft, überprüfen, ob Ölleckagen vorhanden sind.
7. Den Motor abstellen und den Ölstand kontrollieren. Bei korrektem Ölstand steht das Öl oben an der Voll-Marke (B, Abb. 10) am Ölmesstab.

Nachfüllen von Öl

- Darauf achten, dass der Motor waagrecht steht.
- Schmutz vom Öleinfüllbereich entfernen.
- Zum Ölfassungsvermögen siehe den Abschnitt **Technische Daten**.

1. Den Ölmesstab (A, Abb. 10) herausnehmen und mit einem sauberen Tuch abwischen.
2. Langsam Öl in die Motoröleinfüllöffnung (C, Abb. 10) gießen. **Nicht überfüllen**. Nach dem Einfüllen des Öls ca. eine Minute warten und dann den Ölstand überprüfen.
3. Den Ölmesstab (A, Abb. 10) einsetzen und festziehen.
4. Den Ölmesstab herausziehen und den Ölstand kontrollieren. Bei korrektem Ölstand steht das Öl oben an der Voll-Marke (B, Abb. 10) am Ölmesstab.
5. Den Ölmesstab (A, Abb. 10) wieder einsetzen und festziehen.
6. Das/die Zündkerzenkabel (D, Abb. 9) an der/den Zündkerze(n) (E) anschließen.

Luftfilterwartung

Siehe Abbildung: 12, 13



Kraftstoff und Kraftstoffdämpfe sind extrem leicht entflammbar und explosiv.

Feuer oder Explosionen können zu schweren Verbrennungen oder Tod führen.

- Niemals den Motor mit abgenommenem Luftfilter (falls vorhanden) oder Filtereinsatz (falls vorhanden) starten oder laufen lassen.

HINWEIS Zur Reinigung des Filters keine Druckluft und keine Lösungsmittel verwenden. Druckluft kann den Filter beschädigen und Lösungsmittel zersetzen ihn.

Siehe den **Wartungsplan** für Wartungsanforderungen.

An den unterschiedlichen Modellen wird entweder ein Schaumstoff- oder ein Papierfilter verwendet. Einige Modelle sind auch mit einem Vorfilter ausgestattet, der ausgewaschen und wiederverwendet werden kann. Vergleichen Sie die Abbildung in dieser Anleitung mit dem an Ihrem Motor installierten Filtertyp und gehen Sie bei der Wartung folgendermaßen vor.

Papier-Luftfilter

1. Die Befestigungselement(e) (A, Abb. 12) lösen und den Deckel (B) abnehmen.
2. Den Luftfilter (C, Abb. 12) entfernen.

- Um Fremdkörper zu lösen, mit dem Filter leicht auf eine harte Oberfläche klopfen. Wenn der Luftfilter sehr schmutzig ist, muss er ausgetauscht werden.
- Den Sicherheitsfilter (D, Abb. 12), falls vorhanden, vorsichtig vom Luftfiltergehäuse (E) abziehen. Sicherstellen, dass kein Schmutz und keine Fremdkörper in den Motor eindringen.
- Den neuen Sicherheitsfilter (D, Abb. 12) im Luftfiltergehäuse (E) anbringen.
- Den Luftfilter (C, Abb. 12) über dem Sicherheitsfilter (D) anbringen.
- Die Abdeckung (B, Abb. 12) anbringen und das/die Befestigungselement(e) (A) schließen.

Papier-Luftfilter

- Das/die Befestigungselement(e) (A, Abb. 13) lösen.
- Die Abdeckung (B, Abb. 13) abnehmen.
- Befestigungselement(e) (C, Abb. 13) und Halterung (D) abnehmen.
- Den Luftfilter (E, Abb. 13) entfernen.
- Den Vorfilter (F, Abb. 13), falls vorhanden, vom Luftfilter (E) abnehmen.
- Mit dem Luftfilter (E, Abb. 13) leicht gegen eine harte Oberfläche klopfen, um Ablagerungen zu entfernen. Wenn der Luftfilter sehr schmutzig ist, muss er ausgetauscht werden.
- Den Vorfilter (F, Abb. 13), falls vorhanden, in flüssigem Reinigungsmittel und Wasser waschen. Den Vorfilter gründlich an der Luft trocknen lassen. **Den Vorfilter nicht ölen.**
- Den trockenen Vorfilter (F, Abb. 13), falls vorhanden, am Luftfilter (E) anbringen.
- Den Luftfilter (E, Abb. 13) anbringen und mit der Halterung (D) und dem/den Befestigungselement(en) (C) befestigen.
- Die Abdeckung (B, Abb. 13) anbringen und mit dem/den Befestigungselement(en) (A) sichern. Darauf achten, dass das/die Befestigungselement(e) fest sind.

Kraftstoffanlage warten

Siehe Abbildung: 14



WARNUNG

Brennstoff und seine Dämpfe sind hochentzündlich und explosiv.

Feuer oder Explosion kann schwere Verbrennungen oder Tod verursachen.

- Halten Sie den Kraftstoff von Funken, offenen Flammen, Zündflammen, Hitze oder anderen Zündquellen fern.
- Überprüfen Sie die Kraftstoffleitungen, den Tank, den Tankdeckel und die Anschlüsse regelmäßig auf Risse und Undichtheiten. Bei Bedarf austauschen.
- Vor Reinigung oder Austausch des Kraftstofffilters den Kraftstofftank leerlaufen lassen oder den Kraftstoffhahn schließen.
- Sollte Kraftstoff auslaufen, warten Sie ab, bis dieser verdunstet ist und starten Sie erst dann den Motor.
- Ersatzteile müssen den Originalteilen entsprechen und in derselben Position angebracht werden.

Kraftstofffilter, falls vorhanden

- Vor Austausch des Kraftstofffilters (A, Abbildung 14), falls vorhanden, den Kraftstofftank leerlaufen lassen oder den Kraftstoffhahn schließen. Anderenfalls kann Kraftstoff auslaufen und Feuer oder Explosionen verursachen.
- Verwenden Sie Zangen, um die Ansätze zusammen zu drücken (B, Abbildung 14) an den Klemmen (C) mit einer Zange zusammendrücken und dann die Klemmen vom Kraftstofffilter (A) wegziehen. Die Kraftstoffleitungen (D) drehen und vom Kraftstofffilter abziehen.
- Die Kraftstoffleitungen (D, Abbildung 14) auf Risse und Leckagen untersuchen. Bei Bedarf austauschen.
- Den Kraftstofffilter (A, Abbildung 14) durch einen originalen Austauschfilter ersetzen.
- Die Kraftstoffleitungen (D, Abbildung 14) wie gezeigt mit Klemmen (C) sichern.

Wartung des Kühlsystems

Siehe Abbildung: 15, 16



WARNUNG

Laufende Motoren erzeugen Wärme. Teile des Motors, insbesondere der Schalldämpfer, können sehr heiß werden.

Bei Berührung kann es zu schweren Verbrennungen kommen.

Brennbare Fremdkörper wie Laub, Gras usw. können sich entzünden.

- Schalldämpfer, Zylinder und Kühlrippen abkühlen lassen, bevor sie berührt werden.
- Fremdkörperansammlungen vom Schalldämpferbereich und Zylinderbereich entfernen.

HINWEIS Zur Reinigung des Motors kein Wasser verwenden. Wasser könnte die Kraftstoffanlage verunreinigen. Den Motor mit einer Bürste oder einem trockenen Lappen reinigen.

Dieser Motor ist luftgekühlt. Schmutz oder Fremdkörper können die Luftströmung einschränken und Überhitzung des Motors und in der Folge Leistungsverlust und verkürzte Lebensdauer des Motors verursachen.

- Fremdkörper mit einer Bürste oder einem trockenen Lappen vom Lufteinlassbereich (A, Abb. 15) entfernen.
- Gestänge, Federn und Bedienungselemente (B, Abb. 15, 16) sauber halten.
- Den Bereich um und hinter dem Schalldämpfer (C, Abb. 15, 16) von brennbaren Fremdkörpern frei halten.
- Darauf achten, dass die Ölkühlrippen (D, Abb. 15) frei von Schmutz und Fremdkörpern sind.
- Befestigungselement(e) (E, Abb. 16) lösen, bis ein Klicken zu hören ist. Die Platte (F) abnehmen und den Bereich von Schmutz und Fremdkörpern reinigen. Darauf achten, dass auch die Unterseite der Platte sauber ist.
- Die Platte (F, Abb. 16) anbringen und mit Befestigungselement(en) (E) sichern. Befestigungselement(e) festziehen, bis ein Klicken zu hören ist.

Nach einer gewissen Zeit können sich Fremdkörper in den Zylinderkühlrippen ansammeln und Motorüberhitzung verursachen. Um diese Fremdkörper zu beseitigen, muss der Motor teilweise auseinander gebaut werden. Lassen Sie das Luftkühlungssystem entsprechend den Empfehlungen im **Wartungsplan von einem Briggs & Stratton-Vertragshändler kontrollieren und reinigen.**

Lagerung



WARNUNG

Brennstoff und seine Dämpfe sind hochentzündlich und explosiv.

Feuer oder Explosionen kann schwere Verbrennungen oder Tod verursachen.

Bei der Lagerung von Brennstoff oder Geräten mit Brennstoff im Tank

- Nicht in der Nähe von Öfen, Herdplatten, Wasserboilern oder anderen Geräten, die Kontrollleuchten oder andere Zündquellen haben, lagern, weil sie Brennstoffdämpfe entzünden können.

Kraftstoffanlage

Siehe Abbildung: 17

Den Motor in horizontaler Position abstellen (normale Betriebsposition). Den Kraftstofftank (A, Abbildung 17) mit Kraftstoff befüllen. Füllen Sie den Kraftstoff nicht über die Markierung am Tankstutzen (B) auf, damit sich der Kraftstoff ausdehnen kann.

Kraftstoff kann bei der Lagerung von mehr als 30 Tagen altern. Abgestandener Kraftstoff führt dazu, dass sich Säure und Gummiablagerungen im Kraftstoffsystem oder auf wichtigen Teilen des Vergasers bilden. Damit der Kraftstoff haltbar bleibt, verwenden Sie **Briggs & Stratton Advanced-Formula-Kraftstoffstabilisator** Überall dort erhältlich, wo Originalteile von Briggs & Stratton verkauft werden.

Es ist nicht nötig, den Kraftstoff aus dem Motor abzulassen, wenn ein Kraftstoffstabilisator gemäß den Anweisungen hinzugefügt wird. Lassen Sie den Motor vor der Einlagerung zwei (2) Minuten lang laufen, damit der Stabilisator durch das Kraftstoffsystem zirkuliert.

Falls der Kraftstoff im Motor nicht mit einem Kraftstoffstabilisator behandelt wurde, muss er in einen zugelassenen Behälter abgelassen werden. Lassen Sie den Motor so lange laufen, bis er aufgrund von Kraftstoffmangel stoppt. Um die Frische aufrecht zu erhalten, wird die Verwendung eines Kraftstoffstabilisators im Lagerungsbehälter empfohlen.

Motoröl

Das Motoröl bei noch warmem Motor wechseln. Siehe Abschnitt **Motorölwechsel**.

Fehlersuche und -behebung

Wenden Sie sich für Unterstützung an den nächsten Händler, gehen Sie zu VanguardEngines.com oder rufen Sie die Nummer **1-800-999-9333** an (in den USA).

Technische Daten

Modell: 540000	
Hubraum	54.68 ci (896 cc)
Bohrung	3.366 in (85,5 mm)
Hub	3.071 in (78,0 mm)
Ölmenge	78 - 80 oz (2,3 - 2,4 L)
Elektrodenabstand	.030 in (.76 mm)
Zündkerzen-Anzugswert	180 lb-in (20 Nm)
Anker-Luftspalt	.005 - .008 in (.13 - .20 mm)
Einlassventilspiel	.004 - .006 in (.10 - .15 mm)
Auslassventilspiel	.007 - .009 in (.18 - .23 mm)

Modell: 610000, 61E100	
Hubraum	60.60 ci (993 cc)
Bohrung	3.366 in (85,5 mm)
Hub	3.406 in (86,5 mm)
Ölmenge	78 - 80 oz (2,3 - 2,4 L)
Elektrodenabstand	.030 in (.76 mm)
Zündkerzen-Anzugswert	180 lb-in (20 Nm)
Ankerluftspalt – Vergasermotoren	.005 - .008 in (.13 - .20 mm)
Einlassventilspiel	.004 - .006 in (.10 - .15 mm)
Auslassventilspiel	.007 - .009 in (.18 - .23 mm)

Die Motorleistung nimmt alle 300 m über Meeresebene um jeweils 3,5 % und alle 5,6 °C oberhalb von 25 °C um jeweils 1 % ab. Der Motor läuft zufriedenstellend bei einem Winkel bis zu 15°. Angaben zum sicheren Betrieb an Hängen finden Sie in der Bedienungsanleitung des vom Motor angetriebenen Geräts.

Ersatzteile – Modell: 540000, 610000, 61E100	
Ersatzteil	Teilenummer
Zyklon-Luftfilter (Abb. 12)	841497
Zyklon-Sicherheitsfilter (Abb. 12)	821136
Luftfilter, flach (Abb. 13)	692519
Vorfilter, flach (Abb. 13)	692520
Öl – SAE 30	100028
Ölfilter	842921
Advanced-Formula-Kraftstoffstabilisator	100117, 100120
Kraftstofffilter	691035
Widerstandszündkerze	491055
Langlebige Platin-Zündkerze	5066
Zündkerzenschlüssel	19374
Funkenprüfer	19368

Wir empfehlen, dass Sie sich für alle Wartungsarbeiten am Motor und an Motorteilen an einen Briggs & Stratton-Vertragshändler wenden.

Nennleistungen: Die Bruttonennleistung für die einzelnen Modelle mit gasbetriebenen Motor wird in Übereinstimmung mit SAE-Code (Society of Automotive Engineers) J1940 (Small Engine Power & Torque Rating Procedure) angegeben und gemäß SAE J1995 bewertet. Die Drehmomentwerte wurden für die Motoren, die auf dem Etikett mit „rpm“ versehen sind, bei 2600 U/min. und für alle anderen bei 3060 U/min. ermittelt, die PS-Werte bei 3600 U/min. Die Leistungskennlinien können auf www.BRIGGSandSTRATTON.COM eingesehen werden. Die Nettoleistungswerte wurden mit montiertem Auspuff und Luftfilter gemessen, während die Bruttoleistungswerte ohne diese Anbauten ermittelt wurden. Die tatsächliche Bruttomotorleistung ist höher als die Nutzleistung des Motors und wird u. a. durch die Betriebsbedingungen und Abweichungen von Motor zu Motor bestimmt. In Anbetracht der breiten Vielfalt an Produkten, in die Motoren

eingebaut werden, kann es sein, dass der Motor nicht die bewertete Bruttoleistung entwickelt, wenn er in einem bestimmten motorgetriebenen Gerät verwendet wird. Dieser Unterschied lässt sich auf eine Vielzahl von Faktoren zurückführen, einschließlich u. a. Vielfalt der Motorkomponenten (Luftreiniger, Auspuff, Ladung, Kühlung, Vergaser, Kraftstoffpumpe usw.), Einschränkungen bezüglich der Anwendung, Betriebsbedingungen (Temperatur, Luftfeuchtigkeit, Einsatzhöhe) und Abweichungen von Motor zu Motor. Aufgrund von Herstellungs- und Kapazitätsengpässen kann Briggs & Stratton für diesen Motor ersatzweise einen Motor mit höherer Nennleistung liefern.

Garantie

Briggs & Stratton Motorgarantie

Gültig ab Januar 2017

Beschränkte Garantie

Briggs & Stratton garantiert, dass während des unten angegebenen Garantiezeitraums jegliche Teile mit Werkstoff- oder Fertigungsmängeln oder beiden Mängeln kostenlos repariert oder ersetzt werden. Die beim Einschicken des Produkts zwecks Reparatur oder Austausch gemäß dieser Garantie entstehenden Transportkosten sind vom Käufer zu tragen. Diese Garantie ist für die Zeiträume und unter den unten genannten Bedingungen wirksam. Für Garantieleistungen finden Sie mit Hilfe unserer Händlersuchkarte unter www.BRIGGSandSTRATTON.com den nächstgelegenen Vertragshändler. Der Käufer muss den Vertragshändler kontaktieren und diesem das Produkt für die Inspektion und Tests zur Verfügung stellen.

Es besteht keine andere ausdrückliche Garantie. Andere Garantien, einschließlich die Garantie der handelsüblichen Qualität und Eignung für einen bestimmten Zweck, sind auf den unten angegebenen Garantiezeitraum oder das gesetzlich zulässige Ausmaß beschränkt. Die Haftbarkeit für Folge- oder Begleitschäden ist soweit ausgeschlossen, wie gesetzlich zulässig. In einigen Staaten ist die Dauer der implizierten Garantie bzw. die Ausnahme oder Beschränkung von Folge- oder Begleitschäden nicht zulässig, daher könnte die oben genannte Beschränkung oder Ausnahme eventuell nicht auf Sie zutreffen. Diese Garantieleistung verleiht Ihnen bestimmte Rechte neben denen Sie noch andere Rechte haben können, die von Land zu Land abweichen.⁴

Standard-Garantiefristen 1, 2, 3

Marke / Produkttyp	Private Verwendung	Gewerblicher Einsatz
Vanguard™; Commercial Series	36 Monate	36 Monate
Motoren mit Dura-Bore™-Gusseisenlaufbuchse	24 Monate	12 Monate
Alle anderen Motoren	24 Monate	3 Monate

¹ Dies sind unsere Standard-Garantiefristen, neben denen noch andere Garantieabdeckungen vorhanden sein können, die während des Veröffentlichungszeitpunkts noch nicht festgelegt worden waren. Eine Auflistung der aktuellen Garantiefristen für unsere Motoren finden Sie unter BRIGGSandSTRATTON.com oder bei Ihrem Briggs & Stratton-Fachhändler.

² Es besteht keine Garantie auf Motoren in Geräten, die zur Erzeugung von Energie eingesetzt werden, die die Energie aus dem öffentlichen Stromnetz ersetzen soll, oder auf Notstrom-Generatoren, die für kommerzielle Zwecke verwendet werden. Motoren, die in Rennwettbewerben oder auf gewerblichen oder Mietrennbahnen eingesetzt werden, haben keine Garantie.

³ An Notstrom-Generatoren installierte Vanguard-Motoren: 24 Monate bei privater Nutzung, keine Garantie bei gewerblicher Nutzung. An Nutzfahrzeugen installierte Vanguard-Motoren: 24 Monate bei privater Nutzung, 24 Monate bei gewerblicher Nutzung. Commercial Series mit Herstellungsdatum vor Juli 2017: 24 Monate bei privater Nutzung, 24 Monate bei gewerblicher Nutzung.

⁴ In Australien – Unsere Waren werden mit Garantien ausgeliefert, die nicht vom australischen Verbrauchergesetz ausgeschlossen werden können. Bei erheblichen Fehlern haben Sie Anspruch auf Ersatz oder Erstattung sowie auf Schadensersatz bei weiteren angemessenen vorhersehbaren Verlusten oder Schäden. Darüber hinaus haben Sie Anspruch auf Reparatur oder Ersatz der Waren, falls diese nicht die zu erwartende Qualität aufweisen und der Defekt keinen erheblichen Fehler darstellt. Für Garantieleistungen finden Sie mit Hilfe unserer Händlersuchkarte auf www.BRIGGSandSTRATTON.com den nächstgelegenen Vertragshändler. Sie können sich jedoch auch telefonisch unter 1300 274 447, per E-Mail unter salesenquires@briggsandstratton.com.au oder schriftlich an Briggs & Stratton Australia Pty Ltd, 1 Moorebank Avenue, Moorebank, NSW, Australien, 2170 nach dem nächstgelegenen Vertragshändler erkundigen.

Die Garantiezeit beginnt mit dem Datum des Kaufs durch den ersten Einzelhandelskunden oder gewerblichen Endverbraucher. „Endverbraucher-Nutzung“ bedeutet die private Verwendung im eigenen Haushalt durch einen Einzelhandelskunden. „Gewerbliche Verwendung“ bedeutet alle anderen Verwendungszwecke, einschließlich für gewerbliche Zwecke, Zwecke zum Erzielen eines Einkommens oder für Maschinenverleih. Sobald ein Motor einmal gewerblich eingesetzt worden ist, wird er für die Zwecke dieser Gewährleistung auch weiterhin als Motor für den gewerblichen Einsatz angesehen.

Bewahren Sie Ihren Kaufbeleg auf. Wenn Sie zu dem Zeitpunkt, an dem die Garantieleistung gefordert wird, keinen Beleg für das Datum des Erstkaufs vorlegen können, wird zur Bestimmung des Garantiezeitraums das Herstellungsdatum des

Produkts verwendet. Die Produktregistrierung ist für den Erhalt von Garantieleistungen auf Produkte von Briggs & Stratton nicht erforderlich.

Zur Garantie

Diese Garantie deckt nur Material- und/oder Verarbeitungsschäden am Motor ab und nicht den Austausch oder die Rückerstattung für das Gerät, an dem der Motor installiert ist. Routinemäßige Wartungsarbeiten, Einstellungen oder normale Abnutzung sind nicht Gegenstand dieser Garantie. Die Garantie erlischt, wenn der Motor modifiziert oder die Seriennummer des Motors beschädigt oder entfernt wurde. Die Garantie deckt keine Motorschäden oder Leistungsprobleme ab, die durch Folgendes hervorgerufen werden:

1. Die Verwendung von Teilen, die keine Briggs & Stratton-Originalteile sind;
2. Den Betrieb von Motoren mit zu wenig oder verschmutztem Öl oder einer falschen Schmierölsorte;
3. Die Verwendung von verschmutztem oder altem Kraftstoff, Benzin mit einem Ethanolanteil von über 10% oder alternativen Kraftstoffen wie Flüssiggas oder Erdgas bei Motoren, die von Briggs & Stratton nicht für den Betrieb mit solchen Kraftstoffen konzipiert/hergestellt wurden;
4. Schmutz, der infolge einer unzureichenden Luftfilterwartung oder eines falschen Wiederausbaus in den Motor gelangt;
5. Auftreffen eines Kreiselmäher-Schnittmessers auf einen Gegenstand, lose oder unsachgemäß installierte Messeradapter, Impeller oder andere, an die Kurbelwelle angekuppelte Vorrichtungen oder zu hohe Keilriemenspannung;
6. Verbundene Teile oder Baugruppen wie Kupplungen, Getriebe, Gerätesteuern usw., die nicht von Briggs & Stratton stammen;
7. Überhitzung infolge der Blockierung der Kühlrippen oder des Schwungradbereichs durch geschnittenes Gras, Schmutz, Fremdkörper oder Nagetiernerster oder durch den Betrieb des Motors bei ungenügender Belüftung;
8. Zu starke Vibration durch Überdrehen, lose Motormontage, lose oder ungleichmäßige Schnittmesser oder Impeller oder ein unsachgemäßes Ankuppeln von Gerätekomponenten an die Kurbelwelle;
9. Missbrauch, Mängel bei der Routine-Wartung, dem Transport, der Handhabung oder der Lagerung des Geräts oder unsachgemäße Motorinstallation.

Garantieleistungen werden ausschließlich von Briggs & Stratton-Vertragshändlern erbracht. Den nächsten Vertragshändler finden Sie auf unserer Händlersuchkarte auf BRIGGSandSTRATTON.COM oder unter der Nummer 1-800-233-3723 (in den USA).

80004537 (Rev. C)

Not for
Reproduction

Το παρόν εγχειρίδιο περιέχει πληροφορίες σχετικά με την ασφάλεια, ούτως ώστε να γνωρίζετε τους κινδύνους που σχετίζονται με τους κινητήρες και πώς μπορείτε να τους αποφύγετε. Περιέχει επίσης οδηγίες για τη σωστή χρήση και φροντίδα του κινητήρα. Η Briggs & Stratton Corporation δεν γνωρίζει απαραίτητα σε ποιο είδος εξοπλισμού πρόκειται να χρησιμοποιηθεί ο παρών κινητήρας και, για τον λόγο αυτό, είναι σημαντικό να διαβάσετε προσεκτικά και να κατανοήσετε τις οδηγίες λειτουργίας του εξοπλισμού. **Φυλάξτε αυτές τις οδηγίες για μελλοντική χρήση.**

Σημείωση: Τα μεγέθη και οι απεικονίσεις στο παρόν εγχειρίδιο παρέχονται μόνο για αναφορά και μπορεί να διαφέρουν από το δικό σας μοντέλο. Επικοινωνήστε με τον τοπικό σας αντιπρόσωπο εάν έχετε ερωτήσεις.

Για ανταλλακτικά ή τεχνική υποστήριξη, σημειώστε παρακάτω το μοντέλο, τον τύπο και τους κωδικούς του κινητήρα καθώς και την ημερομηνία αγοράς. Οι αριθμοί αυτοί βρίσκονται επάνω στον κινητήρα (ανατρέξτε στην ενότητα **Χαρακτηριστικά και Χειριστήρια**).

Ημερομηνία αγοράς	
Μοντέλο κινητήρα - Τύπος - Κωδικός	
Αριθμός σειράς κινητήρα	

Ανατρέξτε στον 2 διαστάσεων γραμμωτό κώδικα που υπάρχει σε ορισμένους κινητήρες. Όταν τον ζαρώσετε με συσκευή με ικανότητα ανάγνωσης 2 διαστάσεων, ο κωδικός θα σας μεταφέρει στον ιστότοπο όπου μπορείτε να αποκτήσετε πρόσβαση σε πληροφορίες υποστήριξης για αυτό το προϊόν. Ισχύουν χρεώσεις δεδομένων. Σε ορισμένες χώρες ενδέχεται να διατίθεται online υποστήριξη πληροφόρησης.



Πληροφορίες ανακύκλωσης

		Κάθε είδους συσκευασία, χρησιμοποιημένα λάδια και μπαταρίες πρέπει να ανακυκλώνονται σύμφωνα με τους ισχύοντες κανονισμούς.
--	--	---

Ασφάλεια Χειριστή

Σύμβολο ειδοποίησης ασφαλείας και προειδοποιητικές λέξεις

Το σύμβολο ειδοποίησης ασφαλείας παρέχει πληροφορίες σχετικά με τους κινδύνους που μπορούν να προκαλέσουν σωματικό τραυματισμό. Μαζί με το σύμβολο ειδοποίησης χρησιμοποιείται μια προειδοποιητική λέξη (ΚΙΝΔΥΝΟΣ, ΠΡΟΕΙΔΟΠΟΙΗΣΗ ή ΠΡΟΣΟΧΗ) η οποία υποδεικνύει την πιθανότητα και τη σοβαρότητα του πιθανού τραυματισμού. Επιπλέον, για τον χαρακτηρισμό του τύπου του κινδύνου μπορεί να χρησιμοποιείται κάποιο συναφές σύμβολο.

Η ένδειξη **ΚΙΝΔΥΝΟΣ** δηλώνει κίνδυνο ο οποίος, εάν δεν αποφευχθεί, **θα προκαλέσει θάνατο ή σοβαρό τραυματισμό.**

Η ένδειξη **ΠΡΟΕΙΔΟΠΟΙΗΣΗ** δηλώνει κίνδυνο ο οποίος, εάν δεν αποφευχθεί, **θα μπορούσε να προκαλέσει θάνατο ή σοβαρό τραυματισμό.**

Η ένδειξη **ΠΡΟΣΟΧΗ** δηλώνει κίνδυνο ο οποίος, εάν δεν αποφευχθεί, **θα μπορούσε να προκαλέσει τραυματισμό μικρού ή μεσαίου βαθμού.**

Η ένδειξη **ΕΠΙΣΗΜΑΝΣΗ** δηλώνει μια κατάσταση η οποία **θα μπορούσε να προκαλέσει βλάβη του προϊόντος.**

Σύμβολα κινδύνου και τι σημαίνουν

Σύμβολο	Σημασία	Σύμβολο	Σημασία
	Πληροφορίες ασφαλείας σχετικά με κινδύνους που μπορούν να προκαλέσουν τραυματισμό ατόμων.		Διαβάστε και κατανοήστε το εγχειρίδιο χειριστή πριν τη χρήση ή το σέρβις της μονάδας.
	Κίνδυνος πυρκαγιάς		Κίνδυνος έκρηξης
	Κίνδυνος ηλεκτροπληξίας		Κίνδυνος από τοξικές αναθυμιάσεις
	Κίνδυνος από καυτή επιφάνεια		Κίνδυνος από θόρυβο - Συνιστάται προστασία ακοής για παρατεταμένη χρήση.
	Κίνδυνος από εκτινασόμενα αντικείμενα - Φοράτε προστασία ματιών.		Κίνδυνος έκρηξης
	Κίνδυνος κρυοπαγημάτων		Κίνδυνος ανάδρασης
	Κίνδυνος ακρωτηριασμού - κινούμενα μέρη		Χημικός κίνδυνος
	Κίνδυνος από θερμότητα		Διαβρωτικό

Μηνύματα για θέματα ασφαλείας

ΠΡΟΕΙΔΟΠΟΙΗΣΗ

Ορισμένα εξαρτήματα του προϊόντος και τα σχετικά παρελκόμενά του περιέχουν ουσίες που, σύμφωνα με έρευνες οι οποίες έχουν γίνει στην Πολιτεία της Καλιφόρνιας, είναι γνωστό ότι προκαλούν καρκίνο, εκ γενετής ανωμαλίες ή άλλες βλάβες στο αναπαραγωγικό σύστημα. Πρέπει να πλένετε τα χέρια σας μετά τον χειρισμό του μηχανήματος.

ΠΡΟΕΙΔΟΠΟΙΗΣΗ

Τα καυσαέρια από τον κινητήρα του προϊόντος περιέχουν χημικές ουσίες που, σύμφωνα με έρευνες οι οποίες έχουν γίνει στην Πολιτεία της Καλιφόρνιας, είναι γνωστό ότι προκαλούν καρκίνο, εκ γενετής ανωμαλίες ή άλλες βλάβες στο αναπαραγωγικό σύστημα.

ΠΡΟΕΙΔΟΠΟΙΗΣΗ

Οι κινητήρες της Briggs & Stratton δεν έχουν σχεδιαστεί και δεν προορίζονται για μετάδοση κίνησης σε: αυτοκινητίδια αναψυχής (fun-karts, go-karts), παιδικά οχήματα, οχήματα αναψυχής, αθλητικά οχήματα παντός εδάφους (ATV), μοτοσικλές, αερόστρωμνα οχήματα (χόβερκραφτ), αεροσκάφη ή αγωνιστικά οχήματα μη εγκεκριμένα από την Briggs & Stratton. Για πληροφορίες σχετικά με αγωνιστικά προϊόντα, επισκεφθείτε τη σελίδα www.briggsracing.com. Για οχήματα ειδικών χρήσεων και τετράτροχα οχήματα παντός εδάφους side-by-side, καλέστε το κέντρο εφαρμογών κινητήρων της Briggs & Stratton στον αριθμό 1-866-927-3349. Η μη ενδεδειγμένη χρήση του κινητήρα μπορεί να προκαλέσει σοβαρό τραυματισμό ή θάνατο.



ΠΡΟΕΙΔΟΠΟΙΗΣΗ



Το καύσιμο και οι αναθυμιάσεις του συνιστούν εξαιρετικά εύφλεκτες και εκρηκτικές ουσίες.

Σε περίπτωση πυρκαγιάς ή έκρηξης υπάρχει κίνδυνος πρόκλησης σοβαρών εγκαυμάτων ή ακόμη και θανάτου.

Κατά την προσθήκη καυσίμου

- Σβήστε τον κινητήρα και αφήστε τον να κρυώσει τουλάχιστον 2 λεπτά προτού βγάλετε την τάπα του καυσίμου.
- Γεμίστε τη δεξαμενή καυσίμου σε εξωτερικό ή σε καλά εξαεριζόμενο χώρο.
- Μη γεμίζετε υπερβολικά τη δεξαμενή καυσίμων. Για να υπάρχει αρκετός χώρος όταν διασταλεί το καύσιμο, μην γεμίζετε τη δεξαμενή καυσίμου πάνω από τη βάση του λαιμού της.
- Το καύσιμο πρέπει να μένει μακριά από σπινθήρες, ανοιχτές φλόγες, φλόγες εναύσματος, πηγές θερμότητας και άλλες πηγές ανάφλεξης.
- Φροντίστε να ελέγχετε συχνά μήπως οι γραμμές, η δεξαμενή, η τάπα και οι σύνδεσμοι των σωλήνων του καυσίμου παρουσιάζουν ρωγμές ή διαρροή. Αν χρειαστεί, αντικαταστήστε όποιο εξάρτημα παρουσιάζει πρόβλημα.
- Αν χυθεί καύσιμο, περιμένετε να εξατμιστεί προτού θέσετε σε λειτουργία τον κινητήρα.

Κατά την εκκίνηση του κινητήρα

- Βεβαιωθείτε ότι έχουν τοποθετηθεί και στερεωθεί καλά στη θέση τους το μπουζί, ο σιγαστήρας εξάτμισης, η τάπα του νεπόζιτου καυσίμου και το φίλτρο αέρα (εάν υπάρχει).
- Μη θέτετε σε λειτουργία τον κινητήρα αν έχετε βγάλει το μπουζί.
- Εάν ο κινητήρας μπουκώσει, θέστε το τσοκ (εάν υπάρχει) στη θέση OPEN/RUN, μετακινήστε το χειριστήριο γκαζιού (εάν υπάρχει) στη θέση FAST και τραβήξτε το σχοινί εκκίνησης έως ότου τεθεί σε λειτουργία ο κινητήρας.

Κατά τη λειτουργία του εξοπλισμού

- Μη δίνετε στον κινητήρα ή στον εξοπλισμό κλίση σε γωνία που προκαλεί έκχυση του καυσίμου.
- Μην κλείνετε τον αέρα στο καρμπυρατέρ για να σταματήσετε τον κινητήρα.
- Ποτέ μη θέτετε και μη διατηρείτε σε λειτουργία τον κινητήρα όταν έχει αφαιρεθεί το συγκρότημα του φίλτρου αέρα (εάν υπάρχει) ή το ίδιο το φίλτρο αέρα (εάν υπάρχει).

Κατά την αλλαγή του λαδιού

- Εάν αδειάζετε το λάδι από τον επάνω σωλήνα πλήρωσης λαδιού, το νεπόζιτο καυσίμου πρέπει να είναι άδειο, διαφορετικά υπάρχει κίνδυνος διαρροής καυσίμου και πρόκλησης πυρκαγιάς ή έκρηξης.

Όταν πρέπει να γείρετε τη μονάδα για εργασίες συντήρησης

- Εάν πρέπει να γείρετε τη μονάδα για λόγους συντήρησης, το δοχείο καυσίμου, εάν είναι τοποθετημένο στον κινητήρα, πρέπει να είναι άδειο διότι, διαφορετικά, υπάρχει κίνδυνος διαρροής καυσίμου και πρόκλησης πυρκαγιάς ή έκρηξης.

Κατά τη μεταφορά του εξοπλισμού

- Μεταφέρετε τον εξοπλισμό με το νεπόζιτο καυσίμου ΑΔΕΙΟ ή με τη βαλβίδα παροχής καυσίμου ΚΛΕΙΣΤΗ.

Για την αποθήκευση καυσίμου ή εξοπλισμού με καύσιμο στο νεπόζιτο

- Αποθηκεύετε μακριά από φούρνους, θερμάστρες, θερμαντήρες νερού ή άλλες συσκευές που χρησιμοποιούν πιλοτική φλόγα ή άλλες πηγές ανάφλεξης, επειδή μπορούν να προκαλέσουν ανάφλεξη των αναθυμιάσεων καυσίμου.



ΠΡΟΕΙΔΟΠΟΙΗΣΗ



Η εκκίνηση του κινητήρα προκαλεί σπινθηρισμούς.

Με τον σπινθηρισμό υπάρχει κίνδυνος ανάφλεξης εύφλεκτων αερίων στον χώρο.

Στην περίπτωση αυτή υπάρχει κίνδυνος πρόκλησης έκρηξης και πυρκαγιάς.

- Εάν στην περιοχή υπάρχει διαρροή φυσικού αερίου ή υγραερίου, μη θέσετε σε λειτουργία τον κινητήρα.
- Μην χρησιμοποιείτε υγρά υποβοήθησης εκκίνησης που βρίσκονται υπό πίεση επειδή οι αναθυμιάσεις τους είναι εύφλεκτες.



ΠΡΟΕΙΔΟΠΟΙΗΣΗ



ΚΙΝΔΥΝΟΣ ΔΗΛΗΤΗΡΙΩΔΟΥΣ ΑΕΡΙΟΥ. Τα αέρια που εκπέμπει ο κινητήρας περιέχουν μονοξείδιο του άνθρακα, ένα δηλητηριώδες αέριο το οποίο μπορεί να επιφέρει τον θάνατο μέσα σε λίγα λεπτά. Είναι ΑΟΡΑΤΟ, ΑΟΣΜΟ και ΑΓΕΥΣΤΟ. Το γεγονός ότι δεν μυρίζετε τα καυσάεiria δεν αποκλείει την πιθανότητα έκθεσής σας σε μονοξείδιο του άνθρακα. Εάν νιώσετε άρρωστοι, ζαλάδα, ή αδυναμία χρησιμοποιώντας το προϊόν βγείτε έξω και αναπνεύστε καθαρό αέρα ΑΜΕΣΩΣ. Επισκεφθείτε γιατρό. Ενδέχεται να έχετε δηλητηριαστεί από μονοξείδιο του άνθρακα.

- Χρησιμοποιείτε το προϊόν MONO σε εξωτερικούς χώρους, μακριά από παράθυρα, πόρτες και αεραγωγούς, προκειμένου να μειώσετε τον κίνδυνο συσσώρευσης και ενδεχόμενης διέλευσης του μονοξειδίου του άνθρακα σε χώρους όπου βρίσκονται άνθρωποι.
- Εγκαταστήστε ανιχνευτές μονοξειδίου του άνθρακα που λειτουργούν με μπαταρία ή βυσματούμενους ανιχνευτές μονοξειδίου του άνθρακα (με εφεδρική μπαταρία) σύμφωνα με τις οδηγίες του κατασκευαστή. Οι ανιχνευτές καπνού δεν μπορούν να ανιχνεύσουν αέριο μονοξείδιο του άνθρακα.
- ΜΗΝ χρησιμοποιήσετε το προϊόν μέσα σε σπία, γκαράζ, ψηλοτάβανα ή χαμηλοτάβανα υπόγεια, φράχτες ή άλλους μερικώς κλειστούς χώρους ακόμη και αν χρησιμοποιείτε ανεμιστήρες ή ανοίγετε πόρτες και παράθυρα για εξαερισμό. Το μονοξείδιο του άνθρακα μπορεί να συσσωρευτεί γρήγορα στους χώρους αυτούς και να παραμείνει για ώρες, ακόμα και μετά τη διακοπή της λειτουργίας της συσκευής.
- Τοποθετείτε ΠΑΝΤΑ τη συσκευή στην υπήνεμη πλευρά και με την εξάτμιση του κινητήρα στραμμένη μακριά από χώρους όπου βρίσκονται άνθρωποι.



ΠΡΟΕΙΔΟΠΟΙΗΣΗ



Η ταχεία επανατύλιξη του σχοινιού εκκίνησης (κλώτσημα) θα τραβήξει το χέρι και τον βραχιόνά σας προς τον κινητήρα πριν προλάβετε να αφήσετε το σχοινί.

Ενδέχεται να υποστείτε κατάγματα, συντριπτικά κατάγματα, μώλωπες ή διαστρέμματα.

- Κατά την εκκίνηση του κινητήρα, τραβήξτε το σχοινί εκκίνησης αργά έως ότου αισθανθείτε αντίσταση και, στη συνέχεια, τραβήξτε απότομα για να αποφύγετε τυχόν κλώτσημα.
- Πριν να εκκινήσετε τον κινητήρα, αφαιρέστε όλα τα εξωτερικά φορτία του εξοπλισμού/κινητήρα.
- Εξαρτήματα άμεσης ζεύξης όπως, μεταξύ άλλων, λείπιδες, περρωτές, τροχαλίες, αλυσοτροχοί κλπ, πρέπει να ασφαλιζονται.



ΠΡΟΕΙΔΟΠΟΙΗΣΗ



Τα χέρια, τα πόδια, τα μαλλιά, τα ρούχα ή τα κοσμήματά σας υπάρχει κίνδυνος να ακουμπήσουν ή να πιαστούν σε περιστρεφόμενα εξαρτήματα.

Ενδέχεται να προκληθεί ακρωτηριασμός ή σοβαρής μορφής καταταμαχισμός.

- Όταν χειρίζεστε τον εξοπλισμό φροντίστε ώστε οι προφυλακτήρες να βρίσκονται εγκαταστημένοι στη θέση τους.
- Κρατάτε τα χέρια και τα πόδια σας μακριά από τα περιστρεφόμενα εξαρτήματα.
- Δέστε τα μαλλιά σας αν είναι μακριά και βγάλτε τα κοσμήματά σας.
- Μην φοράτε ρούχα που εφαρμόζουν χαλαρά επάνω σας, κορδόνια που κρέμονται ή είδη που θα μπορούσαν να πιαστούν στα περιστρεφόμενα εξαρτήματα του κινητήρα.



ΠΡΟΕΙΔΟΠΟΙΗΣΗ



Η λειτουργία των κινητήρων παράγει θερμότητα. Τα εξαρτήματα των κινητήρων, ιδίως ο σιγαστήρας, μπορεί να υπερθερμανθούν.

Υπάρχει κίνδυνος σοβαρού εγκαύματος από οποιαδήποτε επαφή.

Τα εύφλεκτα υπολείμματα, όπως φύλλα, γρασιδί, θάμνοι κ.λπ. μπορούν να πάρουν φωτιά.

- Μην αγγίζετε τον σιγαστήρα, τον κύλινδρο του κινητήρα και τα πτερύγια αν δεν κρυώσουν.
- Απομακρύνετε τα συσσωρευμένα υπολείμματα από την περιοχή του σιγαστήρα και του κυλίνδρου.
- Η χρήση ή η λειτουργία του κινητήρα σε δασώδη, χλωώδη ή θαμνώδη άγρια περιοχή συνιστά παράβαση του Τμήματος 4442 του Κώδικα περί Φυσικών Πόρων της

Καλιφόρνιας, εκτός εάν το σύστημα εξάτμισης διαθέτει σήτα απορρόφησης σπινθήρων που διατηρείται σε καλή λειτουργική κατάσταση, όπως ορίζεται στο Τμήμα 4442. Παρόμοιοι νόμοι ενδέχεται να ισχύουν και σε άλλες πολιτείες ή περιοχές ομοσπονδιακής δικαιοδοσίας των ΗΠΑ. Για να προμηθευτείτε πλέγμα προστασίας από σπινθήρες το οποίο είναι σχεδιασμένο για το σύστημα εξάτμισης που υπάρχει εγκατεστημένο στον συγκεκριμένο κινητήρα, αποταθείτε στον αρχικό κατασκευαστή του εξοπλισμού.



ΠΡΟΕΙΔΟΠΟΙΗΣΗ

Αν κατά λάθος προκληθούν σπινθήρες, υπάρχει κίνδυνος πυρκαγιάς ή ηλεκτροπληξίας.

Αν κατά λάθος γίνει εκκίνηση του κινητήρα, υπάρχει κίνδυνος να πιαστούν κάποια μέλη του σώματός σας, να τραυματιστείτε σοβαρά ή ακόμη και να ακρωτηριαστείτε ή να κοπείτε.

Κίνδυνος πυρκαγιάς

Πριν από την εκτέλεση ρυθμίσεων ή επισκευών:

- Αποσυνδέστε το καλώδιο του αναφλεκτήρα και φυλάξτε το μακριά από τον αναφλεκτήρα.
- Αποσυνδέστε την μπαταρία από τον αρνητικό ακροδέκτη (μόνο για κινητήρες με ηλεκτρική εκκίνηση.)
- Χρησιμοποιείτε μόνο τα σωστά εργαλεία.
- Μην επεμβαίνετε στα ελατήρια του ρυθμιστή ταχύτητας, τους μηχανισμούς ή τα άλλα εξαρτήματα για να αυξήσετε την ταχύτητα του κινητήρα.
- Τα ανταλλακτικά πρέπει να είναι ίδια με τα γνήσια εξαρτήματα και να τοποθετούνται στην ίδια θέση με τα αρχικά εξαρτήματα. Εάν τα εξαρτήματα διαφέρουν, ενδέχεται να μην αποδίδουν εξίσου καλά, να προκαλούν βλάβες στη μονάδα, ακόμη και τραυματισμό.
- Μην χτυπάτε τον σφόνδυλο με σφυρί ή άλλο σκληρό αντικείμενο, διότι υπάρχει κίνδυνος να σπάσει κατά τη λειτουργία.

Κατά την εκτέλεση δοκιμών για σπινθήρα:

- Χρησιμοποιήστε εγκεκριμένο δοκιμαστήρα μπουζί.
- Μην ελέγχετε για σπινθήρα ενώ έχετε αφαιρέσει το μπουζί.

Χαρακτηριστικά και χειριστήρια

Χειριστήρια κινητήρα

Συγκρίνετε την απεικόνιση (Εικόνα: 1, 2, 3, 4) με τον κινητήρα σας για να εξοικειωθείτε με τη θέση των διαφόρων χαρακτηριστικών και χειριστηρίων.

- A. Στοιχεία κινητήρα Μοντέλο - Τύπος - Κωδικός
- B. Μπουζί
- C. Φίλτρο αέρα, κυκλωνικό
- D. Φίλτρο αέρα, χαμηλής διατομής
- E. Δείκτης στάθμης
- F. Οπή πλήρωσης λαδιού
- G. Φίλτρο λαδιού
- H. Πώμα αποστράγγισης λαδιού
- I. Αισθητήρας πίεσης λαδιού
- J. Προστατευτικό δακτύλων
- K. Διακόπτης ηλεκτρικής εκκίνησης
- L. Σωληνοειδές εκκίνησης
- M. Ρυθμιστής/Ανορθωτής
- N. Καρμπυρατέρ- Μοντέλα καρμπυρατέρ
- O. Ψύκτης λαδιού (εφόσον υπάρχει)
- P. Εξάτμιση (εφόσον υπάρχει)
- Q. Αντλία καυσίμου
- R. Διακόπτης εκκίνησης ¹
- S. Χειριστήριο γκαζιού ¹
- T. Μοχλός τσοκ - Μοντέλα καρμπυρατέρ ¹
- U. Φίλτρο καυσίμου (εφόσον υπάρχει)

¹ Ορισμένοι κινητήρες και εξοπλισμοί διαθέτουν τηλεχειρισμό. Για τη θέση και τη λειτουργία του τηλεχειρισμού ανατρέξτε στο εγχειρίδιο του εξοπλισμού.

Σύμβολα ελέγχου του κινητήρα και τι σημαίνουν

Σύμβολο	Σημασία	Σύμβολο	Σημασία
	Ταχύτητα κινητήρα - FAST (Γρήγορη)		Ταχύτητα κινητήρα - SLOW (Αργή)
	Ταχύτητα κινητήρα - STOP (Παύση)		ON - OFF (Ενεργοποίηση - Απενεργοποίηση)
	Εκκίνηση κινητήρα - Τσοκ στη θέση CLOSED (Κλειστό)		Εκκίνηση κινητήρα - Τσοκ στη θέση OPEN (Ανοικτό)
	Πώμα ντεπόζιτου καυσίμου Διακόπτης παροχής καυσίμου - OPEN (Ανοικτός)		Διακόπτης παροχής καυσίμου - CLOSED (Κλειστός)
	Στάθμη καυσίμου - Μέγιστη Μην γεμίζετε υπερβολικά		

Λειτουργία

Συστάσεις για το λάδι

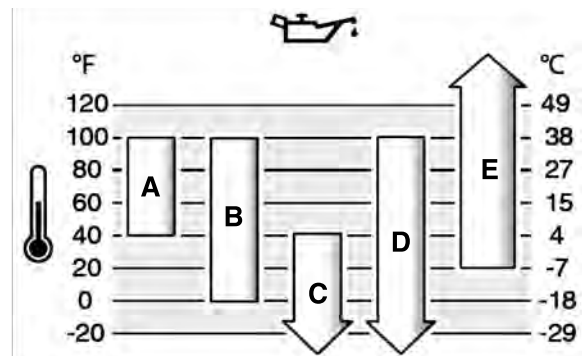
Χωρητικότητα λαδιού: Ανατρέξτε στην **Προδιαγραφές** ενότητα.

ΕΠΙΣΗΜΑΝΣΗ

Ο κινητήρας αυτός αποστέλλεται από την Briggs & Stratton χωρίς λάδι. Κατασκευαστές εξοπλισμού ή αντιπρόσωποι ενδέχεται να έχουν προσθέσει λάδι στον κινητήρα. Προτού εκκινήσετε τον κινητήρα για πρώτη φορά, φροντίστε να ελέγξετε τη στάθμη λαδιού και προσθέστε λάδι σύμφωνα με τις οδηγίες που παρέχονται στο εγχειρίδιο. Εάν θέσετε τον κινητήρα σε λειτουργία χωρίς λάδι, θα υποστεί ανεπανόρθωτη βλάβη η οποία δεν θα καλύπτεται από την εγγύηση.

Για βέλτιστη απόδοση, συνιστούμε τη χρήση πιστοποιημένων λαδιών με την εγγύηση της Briggs & Stratton. Άλλα απορρυπαντικά λάδια υψηλής ποιότητας είναι αποδεκτά εφόσον έχουν πιστοποιηθεί για χρήση SF, SG, SH, SJ ή υψηλότερη. Μη χρησιμοποιείτε ειδικά πρόσθετα.

Η εξωτερική θερμοκρασία καθορίζει το κατάλληλο ιξώδες λαδιού για τον κινητήρα. Χρησιμοποιήστε τον πίνακα για να επιλέξετε το καλύτερο ιξώδες για το αναμενόμενο εύρος εξωτερικής θερμοκρασίας. Οι κινητήρες στους περισσότερους εξοπλισμούς παραγωγής ισχύος εξωτερικών χώρων λειτουργούν καλά με συνθετικό λάδι 5W-30. Για εξοπλισμούς που χρησιμοποιούνται σε υψηλές θερμοκρασίες, το συνθετικό λάδι Vanguard™ 15W-50 παρέχει τη βέλτιστη προστασία.



A SAE 30 - Η χρήση λαδιού SAE 30 σε θερμοκρασίες κάτω των 4 °C (40 °F) θα έχει ως αποτέλεσμα τη δύσκολη εκκίνηση του κινητήρα.

B	10W-30 - Αν το 10W-30 χρησιμοποιηθεί σε θερμοκρασία πάνω από 27 °C (80 °F), μπορεί να αυξηθεί η κατανάλωση λαδιού. Ελέγχετε τη στάθμη του λαδιού συχνά.
C	5W-30
D	Συνθετικό λάδι 5W-30
E	Συνθετικό λάδι Vanguard™ 15W-50

Έλεγχος στάθμης λαδιού

Βλ. Εικόνα: 5

Πριν από την προσθήκη ή τον έλεγχο της στάθμης λαδιού

- Βεβαιωθείτε ότι ο κινητήρας βρίσκεται σε οριζόντια θέση.
 - Καθαρίστε την περιοχή γύρω από το πώμα πλήρωσης λαδιού από τυχόν υπολείμματα.
1. Αφαιρέστε τον δείκτη στάθμης λαδιού (Α, Εικόνα 5) και σκουπίστε τον με ένα καθαρό πανί.
 2. Τοποθετήστε καλά τον δείκτη στάθμης (Α, Εικόνα 5).
 3. Αφαιρέστε τον δείκτη στάθμης λαδιού και ελέγξτε τη στάθμη του λαδιού. Η σωστή στάθμη λαδιού είναι το πάνω σημείο της ένδειξης πλήρους στάθμης (Β, Εικόνα 5) που απεικονίζεται στον δείκτη στάθμης.
 4. Αν η στάθμη του λαδιού είναι χαμηλή, προσθέστε λάδι από την οπή πλήρωσης λαδιού (C, Εικόνα 5). **Μην γεμίζετε υπερβολικά.** Μετά από την προσθήκη λαδιού, περιμένετε ένα λεπτό και, στη συνέχεια, ελέγξτε εκ νέου τη στάθμη λαδιού.
 5. Τοποθετήστε καλά τον δείκτη στάθμης (Α, Εικόνα 5).

Σύστημα προστασίας από χαμηλή στάθμη λαδιού (εφόσον υπάρχει)

Ορισμένοι κινητήρες είναι εξοπλισμένοι με αισθητήρα χαμηλής στάθμης λαδιού. Αν η στάθμη του λαδιού είναι χαμηλή, ο αισθητήρας είτε θα ενεργοποιήσει μια προειδοποιητική λυχνία είτε θα σβήσει τον κινητήρα. Σβήστε τον κινητήρα και ακολουθήστε αυτά τα βήματα πριν τον επανεκκινήσετε.

- Βεβαιωθείτε ότι ο κινητήρας βρίσκεται σε οριζόντια θέση.
- Ελέγξτε τη στάθμη του λαδιού. Ανατρέξτε στην ενότητα **Έλεγχος στάθμης λαδιού**.
- Αν η στάθμη του λαδιού είναι χαμηλή, προσθέστε τη σωστή ποσότητα λαδιού. Θέστε σε λειτουργία τον κινητήρα και βεβαιωθείτε ότι δεν ενεργοποιείται η προειδοποιητική λυχνία (εφόσον υπάρχει).
- Αν η στάθμη του λαδιού δεν είναι χαμηλή, μη θέσετε σε λειτουργία τον κινητήρα. Απευθυνθείτε σε εξουσιοδοτημένο αντιπρόσωπο σέρβις της Briggs & Stratton για να διορθώσει το πρόβλημα με το λάδι.

Συστάσεις για το καύσιμο

Το καύσιμο πρέπει να πληροί τις ακόλουθες απαιτήσεις:

- Καθαρή, φρέσκια, αμόλυβδη βενζίνη.
- Τουλάχιστον 87 οκτάνια/87 AKI (91 RON). Για χρήση σε μεγάλο υψόμετρο βλ. παρακάτω.
- Βενζίνη με έως 10% αιθανόλη (βενζινόλη) είναι αποδεκτή.

ΕΠΙΣΗΜΑΝΣΗ Μην χρησιμοποιείτε μη εγκεκριμένα είδη βενζίνης, όπως E15 και E85. Μην προσθέτετε λάδι στη βενζίνη ούτε να τροποποιείτε τον κινητήρα για να λειτουργεί με εναλλακτικά καύσιμα. Η χρήση μη εγκεκριμένων καυσίμων μπορεί να προκαλέσει βλάβη στα εξαρτήματα του κινητήρα η οποία δεν καλύπτεται από την εγγύηση.

Για να προστατέψετε το σύστημα τροφοδοσίας καυσίμου από τον σχηματισμό υπολειμμάτων, αναμείξτε κατά την προσθήκη καυσίμου ένα βελτιωτικό. Βλέπε **Αποθήκευση**. Όλα τα είδη καυσίμου δεν είναι ίδια. Όταν υπάρχουν προβλήματα ως προς τη εκκίνηση ή την απόδοση του κινητήρα, τότε αλλάξτε προμηθευτή ή μάρκα καυσίμου. Ο εν λόγω κινητήρας έχει πιστοποιηθεί για λειτουργία με βενζίνη. Το σύστημα ελέγχου εκπομπών καυσαερίων για τον συγκεκριμένο κινητήρα είναι EM (Τροποποιήσεις Κινητήρα).

Μεγάλο υψόμετρο

Σε υψόμετρα μεγαλύτερα από 1524 μέτρα (5.000 πόδια), είναι αποδεκτή η χρήση βενζίνης τουλάχιστον 85 οκτανίων/85 AKI (89 RON).

Για κινητήρες με καρμπυρατέρ, απαιτείται ρύθμιση για μεγάλα υψόμετρα για να διατηρηθεί η απόδοση. Η λειτουργία χωρίς τη συγκεκριμένη ρύθμιση θα έχει ως αποτέλεσμα μειωμένη απόδοση, αυξημένη κατανάλωση καυσίμου και αυξημένες εκπομπές καυσαερίων. Για πληροφορίες σχετικά με τη ρύθμιση για μεγάλα υψόμετρα απευθυνθείτε σε εξουσιοδοτημένο αντιπρόσωπο σέρβις της Briggs & Stratton. Δεν ενδείκνυται η λειτουργία του κινητήρα με το kit για μεγάλα υψόμετρα όταν το υψόμετρο είναι μικρότερο από 762 μέτρα (2.500 πόδια).

Για κινητήρες με ηλεκτρονικό ψεκασμό καυσίμου (EFI) δεν απαιτείται ρύθμιση μεγάλου υψόμετρο.

Προσθήκη καυσίμου

Βλέπε Εικόνα: 6



ΠΡΟΕΙΔΟΠΟΙΗΣΗ



Το καύσιμο και οι αναθυμιάσεις του συνιστούν εξαιρετικά εύφλεκτες και εκρηκτικές ουσίες.

Ενδεχόμενη φωτιά ή έκρηξη μπορούν να προκαλέσουν σοβαρά εγκαύματα ή θάνατο.

Κατά την προσθήκη καυσίμου

- Σβήστε τον κινητήρα και αφήστε τον να κρυώσει για τουλάχιστον 2 λεπτά προτού να αφαιρέσετε το πώμα του ντεπόζιτου καυσίμου.
 - Γεμίστε το ντεπόζιτο καυσίμου σε εξωτερικό ή καλά αεριζόμενο χώρο.
 - Μη γεμίζετε υπερβολικά το ντεπόζιτο καυσίμου. Μην υπερβείτε το κάτω μέρος του στομίου του ντεπόζιτου καυσίμου, ώστε να υπάρχει χώρος για τη διαστολή του καυσίμου.
 - Φροντίστε ώστε η βενζίνη να μην έρχεται σε επαφή με σπινθήρες, γυμνές φλόγες, οδηγούς φλόγες, θερμότητα και άλλες πηγές ανάφλεξης.
 - Ελέγχετε συχνά τις σωληνώσεις καυσίμου, το ντεπόζιτο καυσίμου, το πώμα και τα εξαρτήματα σύνδεσης για ρωγμές και διαρροές. Προβείτε σε αντικαταστάσεις εάν είναι απαραίτητο.
 - Εάν χυθεί καύσιμο, περιμένετε έως ότου εξατμιστεί προτού να προβείτε σε εκκίνηση του κινητήρα.
1. Απομακρύνετε ακαθαρσίες και υπολείμματα από την περιοχή γύρω από το πώμα του ντεπόζιτου καυσίμου. Αφαιρέστε το πώμα του ντεπόζιτου καυσίμου.
 2. Γεμίστε το ντεπόζιτο καυσίμου (Α, Εικόνα 6) με καύσιμο. Μη γεμίζετε περισσότερο από το κάτω μέρος του στομίου (Β) του ντεπόζιτου καυσίμου, ώστε να υπάρχει χώρος για τη διαστολή του καυσίμου.
 3. Επανατοποθετήστε το πώμα του ντεπόζιτου καυσίμου.

Εκκίνηση και διακοπή της λειτουργίας του κινητήρα

Βλ. Εικόνα: 7

Εκκίνηση του κινητήρα



ΠΡΟΕΙΔΟΠΟΙΗΣΗ



Το καύσιμο και οι αναθυμιάσεις του συνιστούν εξαιρετικά εύφλεκτες και εκρηκτικές ουσίες.

Ενδεχόμενη φωτιά ή έκρηξη μπορούν να προκαλέσουν σοβαρά εγκαύματα ή θάνατο.

Κατά την εκκίνηση του κινητήρα

- Βεβαιωθείτε ότι το μπουζί, ο σιγαστήρας, το πώμα του ντεπόζιτου καυσίμου και το φίλτρο αέρα (εφόσον υπάρχουν) βρίσκονται στη θέση τους και ότι έχουν στερεωθεί καλά.
- Μην προσπαθείτε να εκκινήσετε τον κινητήρα με βγαλμένο το μπουζί.
- Εάν ο κινητήρας μπουκώσει, θέστε το τσοκ (εάν υπάρχει) στη θέση OPEN/RUN, μετακινήστε τον μοχλό του γκαζιού (εάν υπάρχει) στη θέση FAST και περιστρέψτε τον κινητήρα έως ότου τεθεί σε λειτουργία.



ΠΡΟΕΙΔΟΠΟΙΗΣΗ



ΚΙΝΔΥΝΟΣ ΔΗΛΗΤΗΡΙΩΔΟΥΣ ΑΕΡΙΟΥ. Τα αέρια που εκπέμπει ο κινητήρας περιέχουν μονοξείδιο του άνθρακα, ένα δηλητηριώδες αέριο το οποίο μπορεί να επιφέρει τον θάνατο μέσα σε λίγα λεπτά. Είναι ΑΟΡΑΤΟ, ΑΟΣΜΟ και ΑΓΕΥΣΤΟ. Το γεγονός ότι δεν μυρίζετε τα καυσαέρια δεν αποκλείει την πιθανότητα έκθεσής σας σε μονοξείδιο του άνθρακα. Σε περίπτωση που αισθανθείτε αδιαθεσία, ζαλάδα ή αδυναμία κατά τη χρήση του προϊόντος, σβήστε τον κινητήρα και μεταφερθείτε ΑΜΕΣΩΣ σε χώρο με καθαρό αέρα. Επισκεφθείτε γιατρό. Ενδέχεται να έχετε δηλητηριαστεί από μονοξείδιο του άνθρακα.

- Χρησιμοποιείτε το προϊόν MONO σε εξωτερικούς χώρους, μακριά από παράθυρα, πόρτες και αεραγωγούς, προκειμένου να μειώσετε τον κίνδυνο συσσώρευσης και ενδεχόμενης αναρρόφησης του μονοξειδίου του άνθρακα σε χώρους όπου βρίσκονται άνθρωποι.
- Εγκαταστήστε ανιχνευτές μονοξειδίου του άνθρακα που λειτουργούν με μπαταρία ή βυσματούμενους ανιχνευτές μονοξειδίου του άνθρακα με εφεδρική μπαταρία σύμφωνα

με τις οδηγίες του κατασκευαστή. Οι ανιχνευτές καπνού δεν μπορούν να ανιχνεύσουν αέριο μονοξειδίου του άνθρακα.

- ΜΗ θέσετε σε λειτουργία τη συσκευή μέσα σε σπίτια, γκαράζ, υπόγεια, αγωγούς, υπόστεγα, ή σε άλλους μερικώς κλειστούς χώρους, ακόμη και αν χρησιμοποιείτε ανεμιστήρες ή έχετε ανοιχτές πόρτες και παράθυρα για εξαερισμό. Το μονοξείδιο του άνθρακα μπορεί να συσσωρευτεί γρήγορα στους χώρους αυτούς και να παραμείνει για ώρες, ακόμα και μετά τη διακοπή της λειτουργίας της συσκευής.
- Τοποθετείτε ΠΑΝΤΑ τη συσκευή στην υπήνεμη πλευρά και με την εξάτμιση του κινητήρα στραμμένη μακριά από χώρους όπου βρίσκονται άνθρωποι.

ΕΠΙΣΗΜΑΝΣΗ Ο παρών κινητήρας αποστέλλεται από την Briggs & Stratton χωρίς λάδι. Πρωτό εκκινήστε τον κινητήρα, βεβαιωθείτε ότι έχετε προσθέσει λάδι σύμφωνα με τις οδηγίες που παρέχονται στο εγχειρίδιο. Εάν θέσετε τον κινητήρα σε λειτουργία χωρίς λάδι, θα υποστεί ανεπανόρθωτη βλάβη η οποία δεν καλύπτεται από την εγγύηση.

Προσδιορισμός του συστήματος εκκίνησης

Πριν θέσετε σε λειτουργία τον κινητήρα, πρέπει να προσδιορίσετε τον τύπο του συστήματος εκκίνησης που διαθέτει ο κινητήρας σας. Ο κινητήρας σας θα διαθέτει έναν από τους ακόλουθους τύπους.

- **Σύστημα ηλεκτρονικής έγχυσης καυσίμου (EFI):** Το σύστημα διαθέτει λειτουργία ηλεκτρονικής έγχυσης καυσίμου. Δεν διαθέτει τσοκ (μοχλό αέρος) ούτε σύστημα προπλήρωσης καυσίμου (πουάρ).
- **Σύστημα τσοκ:** Το σύστημα διαθέτει τσοκ για την εκκίνηση του κινητήρα σε χαμηλές θερμοκρασίες. Ορισμένα μοντέλα διαθέτουν ξεχωριστό χειριστήριο τσοκ ενώ άλλα διαθέτουν συνδυασμένο χειριστήριο τσοκ/γκαζιού. Ο συγκεκριμένος τύπος δεν διαθέτει σύστημα προπλήρωσης καυσίμου (πουάρ).

Σημείωση: Ο εξοπλισμός μπορεί να διαθέτει τηλεχειρισμό. Για τη θέση και τη λειτουργία του τηλεχειρισμού ανατρέξτε στο εγχειρίδιο του εξοπλισμού.

Σύστημα ηλεκτρονικής έγχυσης καυσίμου (EFI)

1. Ελέγξτε το λάδι του κινητήρα. Ανατρέξτε στην ενότητα **Έλεγχος της στάθμης λαδιού**.
2. Βεβαιωθείτε ότι όλα τα χειριστήρια μετάδοσης κίνησης του εξοπλισμού, εάν υπάρχουν, είναι αποσυμπλεγμένα.
3. Μετακινήστε τον διακόπτη καυσίμου (Α, Εικόνα 7), εφόσον υπάρχει, στη θέση OPEN.
4. Μετακινήστε το χειριστήριο γκαζιού (Β, Εικόνα 7), εφόσον υπάρχει, στη θέση FAST. Χειριστείτε τον κινητήρα στη θέση FAST.
5. Φέρτε τον διακόπτη λειτουργίας (D, Εικόνα 7), εφόσον υπάρχει, στη θέση ON.
6. Στρέψτε τον διακόπτη ηλεκτρικής εκκίνησης (Ε, Εικόνα 7) στη θέση ON ή START.

ΕΠΙΣΗΜΑΝΣΗ Για να παρατείνετε τη διάρκεια ζωής του εκκινήτηρα, χρησιμοποιήστε σύντομους κύκλους εκκίνησης (πέντε δευτερόλεπτων κατά το μέγιστο). Αφήστε ένα λεπτό μεταξύ των κύκλων εκκίνησης.

Σημείωση: Εάν ο κινητήρας δεν ξεκινήσει μετά από επανειλημμένες προσπάθειες, απευθυνθείτε στον τοπικό σας αντιπρόσωπο ή επισκεφθείτε την ηλεκτρονική διεύθυνση VanguardEngines.com ή καλέστε στον αριθμό **1-800-999-9333** (στις ΗΠΑ).

Σύστημα τσοκ

1. Ελέγξτε το λάδι του κινητήρα. Ανατρέξτε στην ενότητα **Έλεγχος της στάθμης λαδιού**.
2. Βεβαιωθείτε ότι όλα τα χειριστήρια μετάδοσης κίνησης του εξοπλισμού, εάν υπάρχουν, είναι αποσυμπλεγμένα.
3. Μετακινήστε τον διακόπτη καυσίμου (Α, Εικόνα 7), εφόσον υπάρχει, στη θέση OPEN.
4. Μετακινήστε το χειριστήριο γκαζιού (Β, Εικόνα 7), εφόσον υπάρχει, στη θέση FAST. Χειριστείτε τον κινητήρα στη θέση FAST.
5. Μετακινήστε τον μοχλό τσοκ (C, Εικόνα 7), ή τον συνδυαστικό μοχλό τσοκ/γκαζιού στη θέση CLOSED.

Σημείωση: Για να θέσετε τον κινητήρα σε λειτουργία για πρώτη φορά ή αφού έχει αδειάσει το ρεζερβουάρ καυσίμου, απαιτείται πρόσθετος χρόνος περιστροφής στη θέση CHOKE. Αυτό θα επιτρέψει στην αντλία καυσίμου να ενεργοποιηθεί το σύστημα καυσίμου.

6. Φέρτε τον διακόπτη λειτουργίας (D, Εικόνα 7), εφόσον υπάρχει, στη θέση ON.
7. Στρέψτε τον διακόπτη με κλειδί (Ε, Εικόνα 7) στη θέση ON/START.
8. Εάν ο κινητήρας πυροδοτείται αλλά δεν συνεχίζει να λειτουργεί, μετακινήστε τον μοχλό του τσοκ (C, Εικόνα 7) στη θέση OPEN για να τον θέσετε σε λειτουργία.

ΕΠΙΣΗΜΑΝΣΗ Για να παρατείνετε τη διάρκεια ζωής του εκκινήτηρα, χρησιμοποιήστε σύντομους κύκλους εκκίνησης (πέντε δευτερόλεπτων κατά το μέγιστο). Αφήστε ένα λεπτό μεταξύ των κύκλων εκκίνησης.

9. Καθώς ο κινητήρας θερμαίνεται, μετακινήστε τον μοχλό του τσοκ (C, Εικόνα 7) στη θέση OPEN.

Σημείωση: Εάν ο κινητήρας δεν ξεκινήσει μετά από επανειλημμένες προσπάθειες, απευθυνθείτε στον τοπικό σας αντιπρόσωπο ή επισκεφθείτε την ηλεκτρονική διεύθυνση VanguardEngines.com ή καλέστε στον αριθμό **1-800-999-9333** (στις ΗΠΑ).

Σβήστε τον κινητήρα



ΠΡΟΕΙΔΟΠΟΙΗΣΗ



Το καύσιμο και οι αναθυμιάσεις του συνιστούν εξαιρετικά εύφλεκτες και εκρηκτικές ουσίες.

Ενδεχόμενη φωτιά ή έκρηξη μπορούν να προκαλέσουν σοβαρά εγκαύματα ή θάνατο.

- Μην κλείνετε τον αέρα στο καρμπυρατέρ για να σταματήσετε τον κινητήρα.

1. **Διακόπτης παύσης λειτουργίας, εάν υπάρχει:** Στρέψτε τον διακόπτη λειτουργίας (D, Εικόνα 7) στη θέση OFF.
- Διακόπτης με κλειδί, εάν υπάρχει:** Με τον μοχλό γκαζιού στη θέση SLOW, στρέψτε τον διακόπτη με κλειδί (Ε, Εικόνα 7) στη θέση OFF. Αφαιρέστε το κλειδί και φυλάξτε το σε ασφαλές μέρος μακριά από παιδιά.
2. Μετά τη διακοπή λειτουργίας του κινητήρα, μετακινήστε τον διακόπτη καυσίμου (Α, Εικόνα 7), εφόσον υπάρχει, στη θέση CLOSED.

Συντήρηση

ΕΠΙΣΗΜΑΝΣΗ Αν κατά τη συντήρηση γείρετε τον κινητήρα, το νεπετόζιο καυσίμου, αν είναι εγκατεστημένο πάνω στον κινητήρα, πρέπει να είναι άδειο και η πλευρά του μπουζί να είναι προς τα πάνω. Εάν το νεπετόζιο καυσίμου δεν είναι άδειο και γείρετε τον κινητήρα προς οποιαδήποτε άλλη κατεύθυνση, ενδέχεται να είναι δύσκολο να τον θέσετε σε λειτουργία λόγω μόλυνσης με λάδι ή βενζίνη του φίλτρου αέρα και/ή του μπουζί.



ΠΡΟΕΙΔΟΠΟΙΗΣΗ

Εάν απαιτείται να γείρετε τη μονάδα για λόγους συντήρησης, το νεπετόζιο καυσίμου πρέπει να είναι άδειο διότι, διαφορετικά, υπάρχει κίνδυνος διαρροής καυσίμου και πρόκλησης πυρκαγιάς ή έκρηξης.

Για κάθε εργασία συντήρησης και σέρβις του κινητήρα και των εξαρτημάτων του σας συνιστούμε να επισκέπτεστε έναν εξουσιοδοτημένο αντιπρόσωπο σέρβις της Briggs & Stratton.

ΕΠΙΣΗΜΑΝΣΗ Για να διασφαλίζεται η ομαλή λειτουργία αυτού του κινητήρα, όλα τα εξαρτήματα που χρησιμοποιήθηκαν για την κατασκευή του πρέπει να παραμείνουν στη θέση τους.



ΠΡΟΕΙΔΟΠΟΙΗΣΗ



Τυχόν ακούσια δημιουργία σπινθήρων μπορεί να προκαλέσει φωτιά ή ηλεκτροπληξία.

Τυχόν ακούσια εκκίνηση μπορεί να προκαλέσει εμπλοκή μέλους στον κινητήρα, ακρωτηριασμό ή σχίσσιμο.

Κίνδυνος πυρκαγιάς

Πριν από την εκτέλεση ρυθμίσεων ή επισκευών:

- Αποσυνδέστε το καλώδιο του μπουζί και κρατήστε το μακριά από το μπουζί.
- Αποσυνδέστε τον αρνητικό πόλο της μπαταρίας (μόνο για κινητήρες με ηλεκτρική εκκίνηση).
- Χρησιμοποιείτε μόνο τα σωστά εργαλεία.
- Μην επεμβαίνετε στο ελατήριο του ρυθμιστή ταχύτητας, στους μηχανισμούς ή στα άλλα εξαρτήματα για να αυξήσετε την ταχύτητα του κινητήρα.
- Τα ανταλλακτικά πρέπει να είναι ίδιου σχεδιασμού και να εγκαθίστανται στην ίδια θέση με τα γνήσια εξαρτήματα. Εάν τα εξαρτήματα διαφέρουν, ενδέχεται να μην αποδίδουν εξίσου καλά, να προκαλέσουν βλάβες στη μονάδα, ακόμη και τραυματισμό.
- Μη χτυπάτε το σφόνδυλο με σφυρί ή με άλλο σκληρό αντικείμενο, διότι υπάρχει κίνδυνος να σπάσει ο σφόνδυλος κατά τη λειτουργία.

Κατά τον έλεγχο για σπινθήρα:

- Χρησιμοποιείτε εγκεκριμένη διάταξη δοκιμής μπουζί.
- Μην κάνετε έλεγχο για σπινθήρα έχοντας αφαιρέσει το μπουζί.

Σέρβις Συστήματος ελέγχου εκπομπών

Τη συντήρηση, αντικατάσταση και επισκευή των συσκευών και συστημάτων ελέγχου εκπομπών κινητήρων που χρησιμοποιούνται εκτός δρόμου μπορούν να αναλαμβάνουν ιδιώτες ή εταιρείες επισκευής. Ωστόσο, τη συντήρηση του συστήματος ελέγχου εκπομπών καυσαερίων "χωρίς επιβάρυνση" πρέπει να αναλαμβάνει εξουσιοδοτημένος αντιπρόσωπος του κατασκευαστή. Δείτε τις Δηλώσεις για τον Έλεγχο εκπομπών.

Πρόγραμμα Συντήρησης

Κάθε 8 ώρες ή κάθε μέρα
<ul style="list-style-type: none">Έλεγχος στάθμης λαδιού κινητήραΚαθαρισμός της περιοχής γύρω από τον σιγαστήρα εξάτμισης και τα χειριστήρια
Κάθε 100 ώρες ή ετησίως
<ul style="list-style-type: none">Αντικατάσταση μπουζίΑλλαγή λαδιού κινητήραΑντικατάσταση φίλτρου λαδιού (εφόσον υπάρχει)Συντήρηση του φίλτρου αέρα ^{1,2}Καθαρισμός του προφίλτρου (εάν υπάρχει) ¹Έλεγχος συστήματος εξάτμισης
Κάθε 250 ώρες
<ul style="list-style-type: none">Έλεγχος διάκενου βαλβίδας. Προβείτε σε ρυθμίσεις εάν είναι απαραίτητο.
Κάθε 400 ώρες ή ετησίως
<ul style="list-style-type: none">Αντικατάσταση φίλτρου αέρα ²Αντικατάσταση φίλτρου καυσίμουΈλεγχος συστήματος ψύξης ¹Καθαρισμός των πτερυγών του ψύκτη λαδιού ¹
Κάθε 600 ώρες ή ετησίως
<ul style="list-style-type: none">Αντικατάσταση φίλτρου ασφαλείας (εφόσον υπάρχει)

¹ Υπό συνθήκες σκόνης ή όταν υπάρχουν αερόφερα υπολείμματα, να καθαρίζετε πιο συχνά.

² Σε κάθε τρίτη αλλαγή φίλτρου αέρα, αντικαταστήστε το εσωτερικό φίλτρο ασφαλείας (εφόσον υπάρχει).

Σύστημα ηλεκτρονικής έγχυσης καυσίμου (EFI)

Το σύστημα EFI παρακολουθεί τη θερμοκρασία και την ταχύτητα του κινητήρα, αλλά και την τάση της μπαταρίας για την εκκίνηση της λειτουργίας και τη θέρμανση του κινητήρα. Δεν μπορούν να πραγματοποιηθούν ρυθμίσεις στο σύστημα. Εάν διαπιστωθεί κάποιο πρόβλημα με την εκκίνηση της λειτουργίας ή με τη λειτουργία του κινητήρα, επικοινωνήστε με εξουσιοδοτημένο αντιπρόσωπο σέρβις της Briggs & Stratton.

ΕΠΙΣΗΜΑΝΣΗ Βεβαιωθείτε ότι τηρείτε τα παρακάτω βήματα. Διαφορετικά, το σύστημα EFI μπορεί να υποστεί βλάβη.

- Μην θέτετε ποτέ σε λειτουργία τον κινητήρα εάν τα καλώδια της μπαταρίας έχουν λασκάρει.
- Πριν αποσυνδέσετε, αφαιρέσετε ή/και τοποθετήσετε τη μπαταρία, στρέψτε το κλειδί στη θέση OFF.
- Μην χρησιμοποιείτε ποτέ φορτιστή μπαταρίας για να εκκινήσετε τον κινητήρα.
- Μην αποσυνδέετε ποτέ τα καλώδια της μπαταρίας όσο ο κινητήρας βρίσκεται σε λειτουργία.
- Για τη σύνδεση των καλωδίων της μπαταρίας, συνδέστε πρώτα το θετικό (+) καλώδιο και, στη συνέχεια, συνδέστε το αρνητικό (-) καλώδιο στη μπαταρία.
- Για τη φόρτιση της μπαταρίας, στρέψτε τον διακόπτη ανάφλεξης στη θέση OFF και αποσυνδέστε το αρνητικό (-) καλώδιο από τη μπαταρία.
- Μην ψεκάζετε νερό απευθείας στο στοιχείο ηλεκτρονικού ελέγχου.

Καρμπιρατέρ και ταχύτητα κινητήρα

Μη ρυθμίσετε ποτέ το καρμπιρατέρ και την ταχύτητα του κινητήρα. Το καρμπιρατέρ έχει ρυθμιστεί εργοστασιακά ώστε να λειτουργεί αποτελεσματικά υπό τις περισσότερες συνθήκες. Μην επεμβαίνετε στο ελατήριο του ρυθμιστή ταχύτητας, στους μηχανισμούς ή στα άλλα εξαρτήματα για να τροποποιήσετε την ταχύτητα του κινητήρα. Σε περίπτωση που απαιτούνται οποιοδήποτε ρυθμίσεις, απευθυνθείτε σε εξουσιοδοτημένο αντιπρόσωπο σέρβις της Briggs & Stratton.

ΕΠΙΣΗΜΑΝΣΗ Η μέγιστη ταχύτητα του κινητήρα καθορίζεται από τον κατασκευαστή κατά την τοποθέτησή του κινητήρα στον εξοπλισμό. **Μην υπερβείτε** αυτή την ταχύτητα. Εάν δεν είστε βέβαιοι για τη μέγιστη ταχύτητα του εξοπλισμού ή τη ρυθμισμένη από το εργοστάσιο ταχύτητα του κινητήρα, απευθυνθείτε για βοήθεια σε εξουσιοδοτημένο αντιπρόσωπο σέρβις της Briggs & Stratton. Για την ασφάλειά και ορθή λειτουργία του εξοπλισμού, η ταχύτητα του κινητήρα πρέπει να ρυθμίζεται αποκλειστικά από εξειδικευμένο τεχνικό συντήρησης.

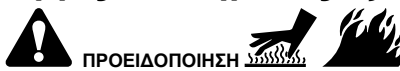
Σέρβις του μπουζί

Βλέπε Εικόνα: 8

Ελέγξτε το διάκενο (Α, Εικόνα 8) με διακονόμετρο (Β). Εάν χρειάζεται, ρυθμίστε εκ νέου το διάκενο. Τοποθετήστε και σφίξτε το μπουζί σύμφωνα με τη συνιστώμενη ροπή σύσφιξης. Σημειώστε τη ρύθμιση του διάκενου ή της ροπής σύσφιξης, ανατρέξτε στην ενότητα **Προδιαγραφές**.

Σημείωση: Σε ορισμένες περιπτώσεις, η τοπική νομοθεσία απαιτεί τη χρήση μπουζί με αντίσταση για να καταστέλλονται τα κύματα ανάφλεξης Αν ο κινητήρας σας είχε αρχικά μπουζί με αντίσταση, πρέπει να χρησιμοποιήσετε τον ίδιο τύπο στις επόμενες αντικαταστάσεις.

Σέρβις Συστήματος εξάτμισης



ΠΡΟΕΙΔΟΠΟΙΗΣΗ Η λειτουργία των κινητήρων παράγει θερμότητα. Τα εξαρτήματα του κινητήρα, και ιδιαίτερα ο σιγαστήρας, αποκτούν εξαιρετικά υψηλές θερμοκρασίες.

Τυχόν επαφή μπορεί να προκαλέσει σοβαρά εγκαύματα.

Υπολείμματα καύσιμων υλών, όπως φύλλα, γρασίδι, φύλλα θάμνων, κλπ. μπορούν να πιάσουν φωτιά.

- Μην αγγίζετε το σιγαστήρα, τον κύλινδρο του κινητήρα και τα πτερύγια όσο είναι ακόμη θερμά.
- Απομακρύνετε τα συσσωρευμένα υπολείμματα από την περιοχή του σιγαστήρα και του κυλίνδρου.
- Η χρήση ή η λειτουργία του κινητήρα σε δασώδη, χλωώδη ή θαμνώδη περιοχή συνιστά παράβαση του Τμήματος 4442 του Κώδικα περί Φυσικών Πόρων της Καλιφόρνιας, εκτός εάν το σύστημα εξάτμισης διαθέτει σήτα απορρόφησης σπινθήρων που διατηρείται σε καλή λειτουργική κατάσταση, όπως ορίζεται στο Τμήμα 4442. Παρόμοιες νομοθεσίες μπορεί να ισχύουν και σε άλλες πολιτειακές ή ομοσπονδιακές δικαιοδοσίες. Για σήτα απορρόφησης σπινθήρων σχεδιασμένη για το σύστημα εξάτμισης που είναι εγκατεστημένο στον παρόντα κινητήρα, επικοινωνήστε με τον κατασκευαστή, το κατάστημα πώλησης ή τον αντιπρόσωπο του αρχικού εξοπλισμού.

Απομακρύνετε τα συσσωρευμένα υπολείμματα από την περιοχή του σιγαστήρα εξάτμισης και του κυλίνδρου. Ελέγξτε το σιγαστήρα για ρωγμές, διάβρωση ή άλλες ζημιές. Αφαιρέστε τη σήτα απορρόφησης σπινθήρων, εφόσον υπάρχει, και ελέγξτε για ζημιές ή απόφραξη από άνθρακα. Εάν διαπιστώσετε φθορές, αντικαταστήστε τα εξαρτήματα πριν από τη χρήση.



ΠΡΟΕΙΔΟΠΟΙΗΣΗ Τα ανταλλακτικά πρέπει να είναι ίδιου σχεδιασμού και να εγκαθίστανται στην ίδια θέση με τα γνήσια εξαρτήματα. Εάν τα εξαρτήματα διαφέρουν, ενδέχεται να μην αποδίδουν εξίσου καλά, να προκαλέσουν βλάβες στη μονάδα, ακόμη και τραυματισμό.

Αλλαγή λαδιού κινητήρα

Βλ. Εικόνα: 9, 10, 11

Το χρησιμοποιημένο λάδι είναι επικίνδυνο απόβλητο και πρέπει να απορρίπτεται ως αρμόζον. Μην το απορρίπτετε στον κάδο οικιακών απορριμμάτων. Για ασφαλείς εγκαταστάσεις απόρριψης/ανακύκλωσης, επικοινωνήστε με τις τοπικές αρχές, το κέντρο συντήρησης ή τον τοπικό αντιπρόσωπο.

Αδειασμα λαδιού

- Με τον κινητήρα εκτός λειτουργίας και ενώ είναι ακόμη ζεστός, αποσυνδέστε το(α) καλώδιο(α) του μπουζί (D, Εικόνα 9) και κρατήστε το μακριά από το(α) μπουζί (E).
- Αφαιρέστε τον δείκτη στάθμης (A, Εικόνα 10).
- Αφαιρέστε το πώμα αποστράγγισης λαδιού (F, Εικόνα 11). Αδειάστε το λάδι σε εγκεκριμένο δοχείο.
- Μετά την αποστράγγιση του λαδιού, τοποθετήστε και σφίξτε το πώμα (F, Εικόνα 11).

Αλλαγή φίλτρου λαδιού, εφόσον υπάρχει

Ορισμένα μοντέλα είναι εξοπλισμένα με φίλτρο λαδιού. Για τα προβλεπόμενα χρονικά διαστήματα αλλαγής, ανατρέξτε στο **Διάγραμμα Συντήρησης**.

1. Αδειάστε το λάδι από τον κινητήρα. Ανατρέξτε στην ενότητα **Άδειασμα λαδιού**.
2. Αφαιρέστε το φίλτρο λαδιού (G, Εικόνα 11) και απορρίψτε το ως αρμόζει.
3. Προτού εγκαταστήσετε το νέο φίλτρο λαδιού, λιπαίνετε ελαφρά το παρέμβυσμα του φίλτρου λαδιού με φρέσκο, καθαρό λάδι.
4. Τοποθετήστε με το χέρι το φίλτρο λαδιού έτσι ώστε το παρέμβυσμα έρθει σε επαφή με τον εφάρμογά του φίλτρου και, στη συνέχεια, σφίξτε το φίλτρο περιστρέφοντας το κατά 1/2 έως 3/4 της στροφής.
5. Προσθήκη λαδιού Ανατρέξτε στην ενότητα **Προσθήκη λαδιού**.
6. Εκκινήστε και διατηρήστε σε λειτουργία τον κινητήρα. Καθώς θερμαίνεται ο κινητήρας, ελέγξτε για τυχόν διαρροή λαδιού.
7. Διακόψτε τη λειτουργία του κινητήρα και ελέγξτε τη στάθμη του λαδιού. Η σωστή στάθμη λαδιού είναι το πάνω σημείο της ένδειξης πλήρους στάθμης (B, Εικόνα 10) που απεικονίζεται στον δείκτη στάθμης.

Προσθήκη λαδιού

- Βεβαιωθείτε ότι ο κινητήρας βρίσκεται σε οριζόντια θέση.
- Καθαρίστε την περιοχή γύρω από το πώμα πλήρωσης λαδιού από τυχόν υπολείμματα.
- Ανατρέξτε στην ενότητα **Προδιαγραφές** για να δείτε τη χωρητικότητα λαδιού.

1. Αφαιρέστε τον δείκτη στάθμης λαδιού (A, Εικόνα 10) και σκουπίστε τον με ένα καθαρό πανί.
2. Προσθέστε αργά λάδι μέσα από την οπή πλήρωσης λαδιού (C, Εικόνα 10). **Μην γεμίζετε υπερβολικά.** Μετά την προσθήκη του λαδιού, περιμένετε ένα λεπτό και εν συνεχεία ελέγξτε τη στάθμη του λαδιού.
3. Τοποθετήστε και σφίξτε τον δείκτη στάθμης (A, Εικόνα 10).
4. Αφαιρέστε τον δείκτη στάθμης λαδιού και ελέγξτε τη στάθμη του λαδιού. Η σωστή στάθμη λαδιού είναι το πάνω σημείο της ένδειξης πλήρους στάθμης (B, Εικόνα 10) που απεικονίζεται στον δείκτη στάθμης.
5. Επανατοποθετήστε και σφίξτε τον δείκτη στάθμης λαδιού (A, Εικόνα 10).
6. Συνδέστε το(α) καλώδιο(α) του μπουζί (D, Εικόνα 9) στο(α) μπουζί (E).

Έλεγχος του φίλτρου αέρα

Βλ. Εικόνα: 12, 13



ΠΡΟΕΙΔΟΠΟΙΗΣΗ

Το καύσιμο και οι αναθυμιάσεις του συνιστούν εξαιρετικά εύφλεκτες και εκρηκτικές ουσίες.

Ενδεχόμενη φωτιά ή έκρηξη μπορούν να προκαλέσουν σοβαρά εγκαύματα ή θάνατο.

- Μην θέτετε ποτέ και μην διατηρείτε σε λειτουργία τον κινητήρα όταν έχει αφαιρεθεί το συγκρότημα του φίλτρου αέρα (εφόσον υπάρχει) ή το ίδιο το φίλτρο αέρα (εφόσον υπάρχει).

ΕΠΙΣΗΜΑΝΣΗ Μην χρησιμοποιείτε πεπιεσμένο αέρα ή διαλύτες για να καθαρίσετε το φίλτρο. Ο πεπιεσμένος αέρας μπορεί να προκαλέσει βλάβη στο φίλτρο, ενώ οι διαλύτες θα το διαλύσουν.

Για τις απαιτήσεις συντήρησης ανατρέξτε στο **Πρόγραμμα Συντήρησης**.

Στα διάφορα μοντέλα χρησιμοποιείται είτε φίλτρο αέρα από αφρώδες υλικό είτε χάρτινο φίλτρο. Ορισμένα μοντέλα ενδέχεται να διαθέτουν επίσης προφίλτρο το οποίο πλένεται και επαναχρησιμοποιείται. Συγκρίνετε τις εικόνες αυτού του εγχειριδίου με τον τύπο φίλτρου που είναι εγκαταστημένος στον κινητήρα σας και ξεκινήστε τον έλεγχο όπως περιγράφεται στη συνέχεια.

Χάρτινο φίλτρο αέρα

1. Ανοίξτε τον(ους) συνδετήρα(ες) (A, Εικόνα 12) και αφαιρέστε το κάλυμμα (B).
2. Αφαιρέστε το φίλτρο αέρα (C, Εικόνα 12).
3. Για να απομακρύνετε τα υπολείμματα, χτυπήστε ελαφρά το φίλτρο αέρα σε σκληρή επιφάνεια. Εάν το φίλτρο αέρα είναι πολύ βρόμικο, αντικαταστήστε το με ένα καινούργιο.
4. Για να αφαιρέσετε το φίλτρο ασφαλείας (D, Εικόνα 12), εφόσον υπάρχει, τραβήξτε το προσεκτικά από το σώμα του φίλτρου αέρα (E). Βεβαιωθείτε ότι η βρωμιά ή τα υπολείμματα δεν εισέρχονται στον κινητήρα.

5. Τοποθετήστε το νέο φίλτρο ασφαλείας (D, Εικόνα 12) στο σώμα του φίλτρου αέρα (E).
6. Τοποθετήστε το φίλτρο αέρα (C, Εικόνα 12) πάνω από το φίλτρο ασφαλείας (D).
7. Τοποθετήστε το κάλυμμα (B, Εικόνα 12) και ασφαλίστε με τον(ους) συνδετήρα(ες) (A).

Χάρτινο φίλτρο αέρα

1. Αφαιρέστε τον(ους) συνδετήρα(ες) (A, Εικόνα 13).
2. Αφαιρέστε το κάλυμμα (B, Εικόνα 13).
3. Αφαιρέστε τον(τους) συνδετήρα(ες) (C, Εικόνα 13) και το στοιχείο συγκράτησης (D).
4. Αφαιρέστε το φίλτρο αέρα (E, Εικόνα 13).
5. Αφαιρέστε το προφίλτρο (F, Εικόνα 13), εφόσον υπάρχει, από το φίλτρο αέρα (E).
6. Για να απομακρύνετε τα υπολείμματα, χτυπήστε ελαφρά το φίλτρο αέρα (E, Εικόνα 13) σε σκληρή επιφάνεια. Εάν το φίλτρο αέρα είναι πολύ βρόμικο, αντικαταστήστε το με ένα καινούργιο.
7. Πλύνετε το προφίλτρο (F, Εικόνα 13), εφόσον υπάρχει, με υγρό απορρυπαντικό και νερό. Αφήστε το προφίλτρο να στεγνώσει καλά στον αέρα. **Μην** λιπαίνετε το προφίλτρο.
8. Συναρμολογήστε το στεγνό προφίλτρο (F, Εικόνα 13), εφόσον υπάρχει, στο φίλτρο αέρα (E).
9. Τοποθετήστε το φίλτρο αέρα (E, Εικόνα 13) και ασφαλίστε με το στοιχείο συγκράτησης (D) και τον(τους) συνδετήρα(ες) (C).
10. Τοποθετήστε το κάλυμμα (B, Εικόνα 13) και ασφαλίστε με τον(ους) συνδετήρα(ες) (A). Βεβαιωθείτε ότι ο(οι) συνδετήρες είναι σφικτός(οι).

Συντήρηση συστήματος καυσίμου

Βλ. εικόνα: 14



ΠΡΟΕΙΔΟΠΟΙΗΣΗ

Το καύσιμο και οι αναθυμιάσεις του αποτελούν εξαιρετικά εύφλεκτες και εκρηκτικές ουσίες.

Σε περίπτωση πυρκαγιάς ή έκρηξης υπάρχει κίνδυνος πρόκλησης σοβαρών εγκαυμάτων ή ακόμη και θανάτου.

- Το καύσιμο πρέπει να παραμένει μακριά από σπινθήρες, ανοιχτές φλόγες, φλόγες εναύσματος, πηγές θερμότητας και άλλες πηγές ανάφλεξης.
- Φροντίστε να ελέγχετε συχνά μήπως οι γραμμές, η δεξαμενή, η τάπα και οι σύνδεσμοι των σωληνίων του καυσίμου παρουσιάζουν ρωγμές ή διαρροή. Αν χρειαστεί, αντικαταστήστε όποιο εξάρτημα παρουσιάζει πρόβλημα.
- Πριν καθαρίσετε ή αντικαταστήσετε το φίλτρο καυσίμου, αδειάστε το ντεπόζιτο καυσίμου ή κλείστε τη βαλβίδα παροχής καυσίμου.
- Αν χυθεί καύσιμο, περιμένετε να εξατμιστεί πριν θέσετε σε λειτουργία τον κινητήρα.
- Τα ανταλλακτικά πρέπει να είναι ίδια και να τοποθετούνται στην ίδια θέση με τα αυθεντικά εξαρτήματα.

Φίλτρο Καυσίμου, εάν υπάρχει

1. Πριν αντικαταστήσετε το φίλτρο καυσίμου (A, Εικόνα 14), εάν υπάρχει, αποστραγγίστε το ντεπόζιτο ή κλείστε τη βαλβίδα παροχής καυσίμου. Σε διαφορετική περίπτωση, μπορεί να υπάρξει διαρροή καυσίμου και πρόκληση φωτιάς ή έκρηξης.
2. Με μία πένσα ωθήστε τις ωτίδες (B, Εικόνα 14) στους σφικτήρες (C) και εν συνεχεία απομακρύνετε γλιστρώντας τους σφικτήρες από το φίλτρο καυσίμου (A). Συστρώψτε και απομακρύνετε τις σωληνώσεις καυσίμου (D) από το φίλτρο καυσίμου.
3. Ελέγξτε τις σωληνώσεις καυσίμου (D, Εικόνα 14) για ρωγμές ή διαρροές. Αν χρειαστεί, αντικαταστήστε όποιο εξάρτημα παρουσιάζει πρόβλημα.
4. Αντικαταστήστε το φίλτρο καυσίμου (A, Εικόνα 14) με ένα γνήσιο φίλτρο αντικατάστασης εξοπλισμού.
5. Ασφαλίστε τις σωληνώσεις καυσίμου (D, Εικόνα 14) με σφικτήρες (C) όπως φαίνεται.

Σέρβις Συστήματος ψύξης

Βλ. Εικόνα: 15, 16



ΠΡΟΕΙΔΟΠΟΙΗΣΗ

Η λειτουργία των κινητήρων παράγει θερμότητα. Τα εξαρτήματα του κινητήρα και, ιδιαίτερα, ο σιγαστήρας, αποκτούν εξαιρετικά υψηλές θερμοκρασίες.

Τυχόν επαφή μπορεί να προκαλέσει σοβαρά εγκαύματα.

Υπολείμματα καύσιμων υλών, όπως φύλλα, γρασιδί, φύλλα θάμνων, κλπ. μπορούν να πιάσουν φωτιά.

- Μην αγγίζετε την εξάτμιση, τον κύλινδρο του κινητήρα και τα πτερύγια όσο είναι ακόμη θερμά.
- Απομακρύνετε τα συσσωρευμένα υπολείμματα από την περιοχή του σιγαστήρα εξάτμισης και του κυλίνδρου.

ΕΠΙΣΗΜΑΝΣΗ Μη χρησιμοποιείτε νερό για να καθαρίσετε τον κινητήρα. Υπάρχει κίνδυνος το νερό να μολύνει το σύστημα τροφοδοσίας καυσίμου. Χρησιμοποιείτε βούρτσα ή στεγνό πανί για να καθαρίσετε τον κινητήρα.

Ο κινητήρας αυτός είναι αερόψυκτος. Οι σκόνης και τα διάφορα υπολείμματα μπορούν να περιορίσουν την παροχή αέρα και να προκαλέσουν υπερθέρμανση του κινητήρα, με αποτέλεσμα τη χαμηλή απόδοση και τη μείωση της διάρκειας ζωής του.

1. Χρησιμοποιήστε βούρτσα ή στεγνό πανί για να αφαιρέσετε τα υπολείμματα από την περιοχή αναρρόφησης αέρα (Α, Εικόνα 15).
2. Διατηρείτε τους συνδέσμους, τα ελατήρια και τους διακόπτες (Β, Εικόνα 15, 16) καθαρά.
3. Φροντίστε η περιοχή γύρω και πίσω από το σιγαστήρα (C, Εικόνα 15, 16) να διατηρείται καθαρή από εύφλεκτα υπολείμματα.
4. Βεβαιωθείτε ότι δεν υπάρχουν ακαθαρσίες και υπολείμματα στα πτερύγια του ψύκτη λαδιού (D, Εικόνα 15).
5. Ξεσφίξτε τον(ους) συνδετήρα(ες) (E, Εικόνα 16) μέχρι να ακουστεί ο χαρακτηριστικός ήχος. Αφαιρέστε το πλαίσιο (F) και καθαρίστε την περιοχή από βρωμιές και υπολείμματα. Βεβαιωθείτε ότι η κάτω πλευρά του πλαισίου είναι και αυτή καθαρή.
6. Τοποθετήστε το πλαίσιο (F, Εικόνα 16) και ασφαλίστε με τον(ους) συνδετήρα(ες) (E). Σφίξτε τον(ους) συνδετήρα(ες) μέχρι να ακουστεί ο χαρακτηριστικός ήχος.

Μετά από κάποιο χρονικό διάστημα, υπάρχει περίπτωση να συσσωρευτούν διάφορα υπολείμματα στα πτερύγια ψύξης του κυλίνδρου και να προκαλέσουν υπερθέρμανση του κινητήρα. Τα υπολείμματα αυτά δεν μπορούν να αφαιρεθούν χωρίς μερική αποσυναρμολόγηση του κινητήρα. Αναθέστε τον έλεγχο και τον καθαρισμό του αερόψυκτου συστήματος σε εξουσιοδοτημένο αντιπρόσωπο της Briggs & Stratton, όπως συνιστάται στο **Διάγραμμα Συντήρησης**.

Αποθήκευση



ΠΡΟΕΙΔΟΠΟΙΗΣΗ

Το καύσιμο και οι αναθυμιάσεις του αποτελούν εξαιρετικά εύφλεκτες και εκρηκτικές ουσίες.

Σε περίπτωση πυρκαγιάς ή έκρηξης υπάρχει κίνδυνος πρόκλησης σοβαρών εγκαυμάτων ή ακόμη και θανάτου.

Για την αποθήκευση καυσίμου ή εξοπλισμού με καύσιμο στο ντεπόζιτο

- Αποθηκεύετε μακριά από φούρνους, θερμάστρες, θερμαντήρες νερού ή άλλες συσκευές που χρησιμοποιούν πιλοτική φλόγα ή άλλες πηγές ανάφλεξης, επειδή μπορούν να προκαλέσουν ανάφλεξη των αναθυμιάσεων καυσίμου.

Σύστημα καυσίμου

Βλ. εικόνα: 17

Αποθηκεύστε τον κινητήρα σε οριζόντια θέση (κανονική θέση λειτουργίας). Γεμίστε το ντεπόζιτο καυσίμου (Α, Εικόνα 17) με καύσιμο. Για να υπάρχει αρκετός χώρος όταν διασταλεί το καύσιμο, μην γεμίζετε το ντεπόζιτο καυσίμου επάνω από το στόμιο του (Β).

Το καύσιμο ενδέχεται να ξεθυμάνει αν μείνει αποθηκευμένο για περισσότερες από 30 μέρες. Όταν ξεθυμάνει το καύσιμο, εναποτίθενται οξέα και ρητίνες στο σύστημα καυσίμου ή σε νευραλικά εξαρτήματα του καρμπυρατέρ. Για να διατηρείται το καύσιμο σε καλή κατάσταση, χρησιμοποιείτε το **προηγμένης σύνθεσης βελτιωτικό και σταθεροποιητικό καυσίμων της Briggs & Stratton**, που διατίθεται οπουδήποτε πωλούνται γνήσια ανταλλακτικά της Briggs & Stratton.

Αν προσθέσετε σταθεροποιητή καυσίμου σύμφωνα με τις οδηγίες, δεν χρειάζεται αποστράγγιση της βενζίνης από τον κινητήρα. Προτού αποθηκεύσετε τον κινητήρα, αφήστε τον να λειτουργήσει επί δύο (2) λεπτά για να κυκλοφορήσει ο σταθεροποιητής σε όλο το σύστημα καυσίμου.

Αν δεν προσθέσετε σταθεροποιητή καυσίμου στη βενζίνη που περιέχει ο κινητήρας, πρέπει να την αποστραγγίσετε σε εγκεκριμένο δοχείο. Αφήστε τον κινητήρα σε λειτουργία ωστόσο σταματήστε λόγω εξάντλησης του καυσίμου. Συνιστάται η χρήση σταθεροποιητή καυσίμου στο δοχείο αποθήκευσης για να διατηρείται φρέσκο το καύσιμο.

Λάδι κινητήρα

Αλλάζετε το λάδι του κινητήρα όταν ο κινητήρας είναι ακόμη ζεστός. Δείτε την ενότητα **Αλλαγή λαδιού κινητήρα**.

Ανίχνευση Βλαβών

Για βοήθεια, απευθυνθείτε στον τοπικό σας αντιπρόσωπο ή επισκεφθείτε την ηλεκτρονική διεύθυνση **VanguardEngines.com** ή καλέστε στον αριθμό **1-800-999-9333** (στις ΗΠΑ).

Προδιαγραφές

Μοντέλο: 540000	
Κυβισμός	54.68 ci (896 cc)
Εσωτερική διάμετρος	3.366 in (85,5 mm)
Διαδρομή εμβόλου	3.071 in (78,0 mm)
Χωρητικότητα λαδιού	78 - 80 oz (2,3 - 2,4 L)
Διάκενο μπουζί	.030 in (.76 mm)
Ροπή σύσφιξης μπουζί	180 lb-in (20 Nm)
Διάκενο μεταξύ επαγωγίμου και επαγωγέως	.005 - .008 in (.13 - .20 mm)
Διάκενο βαλβίδας εισαγωγής	.004 - .006 in (.10 - .15 mm)
Διάκενο βαλβίδας εξαγωγής	.007 - .009 in (.18 - .23 mm)

Μοντέλο: 610000, 61E100	
Κυβισμός	60.60 ci (993 cc)
Εσωτερική διάμετρος	3.366 in (85,5 mm)
Διαδρομή εμβόλου	3.406 in (86,5 mm)
Χωρητικότητα λαδιού	78 - 80 oz (2,3 - 2,4 L)
Διάκενο μπουζί	.030 in (.76 mm)
Ροπή σύσφιξης μπουζί	180 lb-in (20 Nm)
Διάκενο μεταξύ επαγωγίμου και επαγωγέως - Μοντέλα καρμπυρατέρ	.005 - .008 in (.13 - .20 mm)
Διάκενο βαλβίδας εισαγωγής	.004 - .006 in (.10 - .15 mm)
Διάκενο βαλβίδας εξαγωγής	.007 - .009 in (.18 - .23 mm)

Η ισχύς του κινητήρα μειώνεται κατά 3,5% ανά 300 μέτρα επάνω από το επίπεδο της θάλασσας και κατά 1% ανά 5,6 °C επάνω από τους 25 °C. Ο κινητήρας λειτουργεί ικανοποιητικά σε γωνία έως 15°. Για τα επιπρεπόμενα όρια ασφαλούς λειτουργίας σε επικλινές έδαφος, ανατρέξτε στο εγχειρίδιο χρήσης του εξοπλισμού.

Ανταλλακτικά - Μοντέλο: 540000, 610000, 61E100	
Ανταλλακτικό	Αριθμός ανταλλακτικού
Κυκλωνικό φίλτρο αέρα (Εικόνα 12)	841497
Κυκλωνικό φίλτρο ασφαλείας (Εικόνα 12)	821136
Φίλτρο αέρα, χαμηλής διατομής (Εικόνα 13)	692519
Προφίλτρο, χαμηλής διατομής (Εικόνα 13)	692520
Λάδι - SAE 30	100028
Φίλτρο λαδιού	842921
Βελτιωτικό και σταθεροποιητικό καυσίμου προηγμένης σύνθεσης	100117, 100120
Φίλτρο καυσίμου	691035
Μπουζί με αντίσταση	491055
Μπουζί από πλατίνα μεγάλης διάρκειας	5066
Μπουζούκλειδο	19374
Δοκιμαστής σπινθηρών	19368

Για κάθε εργασία συντήρησης και σέρβις του κινητήρα και των εξαρτημάτων του σας συνιστούμε να επισκεπτεστε εξουσιοδοτημένο αντιπρόσωπο της Briggs & Stratton.

Ονομαστικές τιμές ισχύος: Η ονομαστική τιμή της ολικής ισχύος για μεμονωμένα μοντέλα βενζινοκινητήρων επισημαίνεται σύμφωνα με τον κώδικα J1940 για τη Διαδικασία καθορισμού της ονομαστικής ισχύος και ροπής στρέψης μικρών κινητήρων της SAE (Ενωση μηχανικών οχημάτων) και έχει υπολογιστεί σύμφωνα με τον κώδικα J1995 της SAE. Οι τιμές της ροπής στρέψης προκύπτουν στις 2.600 σ.α.λ. για τους κινητήρες όπου αναγράφονται οι "σ.α.λ." στην ετικέτα και στις 3.060 σ.α.λ. για όλους τους υπόλοιπους. Οι τιμές ιπποδύναμης προκύπτουν στις 3.600 σ.α.λ. Μπορείτε να δείτε τις καμπύλες ολικής ισχύος στη διεύθυνση www.BRIGGSandSTRATTON.COM. Οι τιμές ωφέλιμης ισχύος μετρώνται με τοποθετημένη εξάτμιση και φίλτρο αέρα, ενώ οι τιμές ολικής ισχύος λαμβάνονται χωρίς αυτά τα προσαρτήματα. Η πραγματική ολική ισχύς του κινητήρα θα είναι υψηλότερη από την ωφέλιμη ισχύ και επηρεάζεται, μεταξύ άλλων παραγόντων, από τις περιβαλλοντικές συνθήκες λειτουργίας και από τις διαφορές μεταξύ των κινητήρων. Δεδομένης της ευρείας γκάμας των προϊόντων στα οποία τοποθετούνται οι κινητήρες, ο βενζινοκινητήρας ενδέχεται να μην αναπτύσσει την ονομαστική ολική ισχύ όταν χρησιμοποιείται σε συγκεκριμένο εξοπλισμό. Η διαφορά αυτή οφείλεται σε μία ποικιλία παραγόντων που περιλαμβάνει, ενδεικτικά, τα διάφορα μεταφορικά του κινητήρα (φίλτρο αέρα, εξάτμιση, τροφοδότηση, ψύξη, καρμπρατέρ, αντλία καυσίμου, κλπ.), τους περιορισμούς εφαρμογής, τις περιβαλλοντικές συνθήκες λειτουργίας (θερμοκρασία, υγρασία, υψόμετρο) και τις διαφορές μεταξύ των κινητήρων. Λόγω περιορισμών στην παραγωγή και στις δυνατότητες, η Briggs & Stratton μπορεί να χρησιμοποιήσει κινητήρα υψηλότερης ονομαστικής ισχύος αντί για τον συγκεκριμένο κινητήρα.

ή βλάβης. Δικαιούστε επίσης επίσκεψη ή αντικατάσταση των προϊόντων, εάν η ποιότητα των προϊόντων είναι μη αποδεκτή, ακόμα και εάν η βλάβη δεν είναι σοβαρή. Για παροχή υπηρεσιών εντός εγγύησης, εντοπίστε τον πλησιέστερο εξουσιοδοτημένο αντιπρόσωπο σέρβις στον χάρτη εντοπισμού των αντιπροσώπων μας στην ιστοσελίδα BRIGGSandSTRATTON.COM ή καλέστε στο 1300 274 447 ή στείλτε μας e-mail στη διεύθυνση salesenquires@briggsandstratton.com.au, ή στείλτε μας επιστολή τη διεύθυνση Briggs & Stratton Australia Pty Ltd, 1 Moorebank Avenue, NSW, Australia, 2170.

Η περίοδος εγγύησης αρχίζει από την αρχική ημερομηνία αγοράς από τον πρώτο πελάτη λιανικής πώλησης ή επαγγελματία καταναλωτή. «Καταναλωτική χρήση» σημαίνει προσωπική, κατ' οίκον χρήση από καταναλωτή προϊόντων λιανημπορίου. Ο όρος «επαγγελματική χρήση» καλύπτει κάθε άλλη χρήση, συμπεριλαμβανομένης της χρήσης για σκοπούς εμπορίας, παραγωγής εισοδήματος ή ενοικίασης. Εφόσον ένας κινητήρας έχει χρησιμοποιηθεί για επαγγελματικούς σκοπούς, στο πλαίσιο της παρούσας εγγύησης, θα θεωρείται ως κινητήρας επαγγελματικής χρήσης.

Φυλάξτε την απόδειξη αγοράς. Εάν δεν προσκομίσετε αποδεικτικό της αρχικής αγοράς τη στιγμή της αίτησης για επισκευή βάσει της εγγύησης, ο προσδιορισμός της περιόδου εγγύησης θα βασιστεί στην ημερομηνία κατασκευής του προϊόντος. Η δήλωση του προϊόντος δεν είναι απαραίτητη για να δικαιούστε υπηρεσίες εγγύησης για τα προϊόντα της Briggs & Stratton.

Σχετικά με την εγγύησή σας

Αυτή η περιορισμένη εγγύηση καλύπτει ελαττωματικό υλικό ή/και εργασία σε σχέση με τον κινητήρα μόνο και όχι αντικατάσταση ή επιστροφή χρημάτων για το μηχάνημα πάνω στο οποίο ενδέχεται να είναι τοποθετημένος ο κινητήρας. Η τακτική συντήρηση, τα σέρβις, οι ρυθμίσεις και η κανονική φθορά δεν καλύπτονται από αυτή την εγγύηση. Παρομοίως, η εγγύηση δεν έχει εφαρμογή αν έχουν γίνει αλλαγές ή τροποποιήσεις στον κινητήρα ή αν έχει καταστεί δυσανάγνωστος ή έχει αφαιρεθεί ο αριθμός σειράς του κινητήρα. Αυτή η εγγύηση δεν καλύπτει ζημιές ή προβλήματα απόδοσης του κινητήρα που προκλήθηκαν από:

1. Τη χρήση ανταλλακτικών που δεν είναι γνήσια ανταλλακτικά Briggs & Stratton.
2. Τη λειτουργία του κινητήρα με ανεπαρκές, μολυσμένο ή λανθασμένο τύπου λάδι λίπανσης.
3. Τη χρήση μολυσμένου ή παλιού καυσίμου, βενζίνης που περιέχει περισσότερο από 10% αιθανόλη ή τη χρήση εναλλακτικών καυσίμων όπως υγροποιημένου αερίου πετρελαίου ή φυσικού αερίου σε κινητήρες που δεν έχουν αρχικά σχεδιαστεί/κατασκευαστεί από την Briggs & Stratton για να λειτουργούν με τέτοια καύσιμα.
4. Ακαθαρσίες που μπορεί να έχουν διεισδύσει στον κινητήρα λόγω ακατάλληλης συντήρησης ή επανατοποθέτησης του φίλτρου αέρα.
5. Χτύπημα αντικειμένου με την κοπτική λεπίδα περιστροφικής μηχανής κουρέματος γρασιδιού ή από ακατάλληλη τοποθέτηση προσαρμογών λεπίδας, φτερωτών ή άλλων διατάξεων που συνδέονται με το στροφαλοφόρο άξονα ή από υπερβολική σύσφιξη των τραπεζοειδών ιμάντων.
6. Σχετιζόμενα εξαρτήματα ή συγκροτήματα όπως συμπλέκτες, συστήματα γραναζιών μετάδοσης κίνησης, χειριστήρια εξοπλισμού κλπ, τα οποία δεν παρέχονται από την Briggs & Stratton.
7. Υπερθέρμανση λόγω υπολειμμάτων κοπής γρασιδιού, ακαθαρσιών και υπολειμμάτων ή λόγω φωλιών τρωκτικών που προκαλούν απόφραξη ή περιορισμό ροής στα πτερύγια ψύξης ή στην περιοχή σφονδύλου ή σε λειτουργία του κινητήρα χωρίς επαρκή αερισμό.
8. Υπερβολικούς κραδασμούς λόγω υπερβολικής ταχύτητας λειτουργίας, λασκαρισμένων ή λασκαρισμένων ή εκτός ζυγοστάθμισης κοπτικών λεπίδων ή φτερωτών ή σε ακατάλληλη σύζευξη μερών του εξοπλισμού με το στροφαλοφόρο άξονα.
9. Κακή χρήση, έλλειψη τακτικής συντήρησης, αποστολή, χειρισμό ή αποθήκευση εξοπλισμού ή σε ακατάλληλη εγκατάσταση του κινητήρα.

Το σέρβις βάσει της εγγύησης είναι διαθέσιμο μόνο μέσω των εξουσιοδοτημένων αντιπροσώπων σέρβις της Briggs & Stratton. Βρείτε τον πλησιέστερο εξουσιοδοτημένο αντιπρόσωπο σέρβις στον χάρτη αναζήτησης των αντιπροσώπων στο BRIGGSandSTRATTON.COM ή καλώντας το 1-800-233-3723 (στις ΗΠΑ).

80004537 (Rev. C)

Εγγύηση

Εγγύηση κινητήρων της Briggs & Stratton

Ισχύει από Ιανουάριο 2017

Περιορισμένη εγγύηση

Η Briggs & Stratton εγγυάται ότι, κατά τη διάρκεια της περιόδου εγγύησης που καθορίζεται παρακάτω, θα επισκευάσει ή θα αντικαταστήσει χωρίς καμία χρέωση κάθε εξάρτημα που θα διαπιστωθεί ότι είναι ελαττωματικό λόγω υλικών ή κακοτεχνίας ή και για τους δύο αυτούς λόγους. Τα έξοδα μεταφοράς για τα προϊόντα που αποστέλλονται για επισκευή ή αντικατάσταση στο πλαίσιο της παρούσας εγγύησης επιβαρύνουν τον αγοραστή. Η παρούσα εγγύηση ισχύει για τα χρονικά διαστήματα και υπό τους όρους που αναφέρονται παρακάτω. Για παροχή υπηρεσιών στο πλαίσιο της εγγύησης, εντοπίστε τον πλησιέστερο εξουσιοδοτημένο αντιπρόσωπο σέρβις στον χάρτη εντοπισμού των αντιπροσώπων μας στην ιστοσελίδα BRIGGSandSTRATTON.COM. Ο αγοραστής πρέπει να επικοινωνήσει με τον εξουσιοδοτημένο αντιπρόσωπο σέρβις και, στη συνέχεια, να του παρουσιάσει το προϊόν για έλεγχο και δοκιμή.

Δεν υπάρχει άλλη ρητή εγγύηση. Οι έμμεσες εγγυήσεις, συμπεριλαμβανομένων και των εγγυήσεων εμπορευσιμότητας και καταλληλότητας για συγκεκριμένο σκοπό περιορίζονται στην περίοδο της εγγύησης που αναφέρεται παρακάτω στον βαθμό που επιτρέπεται από τον νόμο. Οι ευθύνες για ακούσια ή αποθετική ζημία εξαιρούνται στον βαθμό που επιτρέπεται από την ισχύουσα νομοθεσία. Ορισμένες πολιτείες ή χώρες δεν επιτρέπουν περιορισμούς όσον αφορά τη διάρκεια των σιωπηρών εγγυήσεων και ορισμένες πολιτείες ή χώρες δεν επιτρέπουν την εξαίρεση ή τον περιορισμό της ακούσιας ή αποθετικής ζημιάς και, συνεπώς, ο περιορισμός και η εξαίρεση που προαναφέρονται μπορεί να μην ισχύουν για εσάς. Αυτή η εγγύηση σας παρέχει ειδικά νομικά δικαιώματα και, ενδεχομένως, και άλλα δικαιώματα που διαφέρουν από πολιτεία σε πολιτεία και από χώρα σε χώρα ⁴.

Βασικοί Όροι Εγγύησης 1, 2, 3

Μάρκα / Τύπος προϊόντος	Καταναλωτική χρήση	Επαγγελματική χρήση
Vanguard™, Επαγγελματική σειρά	36 μήνες	36 μήνες
Κινητήρες που διαθέτουν χιτώνια από χυτοσίδηρο Dura-Bore™	24 μήνες	12 μήνες
Όλοι οι λοιποί κινητήρες	24 μήνες	3 μήνες

¹ Αυτοί είναι οι βασικοί όροι εγγύησης που παρέχει η εταιρεία μας αλλά, κατά περίπτωση, μπορεί να υπάρχουν πρόσθετες καλύψεις οι οποίες δεν προσδιορίζονται κατά τη δημοσίευση της εγγύησης. Για τους όρους εγγύησης που ισχύουν για τον κινητήρα σας, ανατρέξτε στην ιστοσελίδα BRIGGSandSTRATTON.COM ή επικοινωνήστε με τον τοπικό εξουσιοδοτημένο αντιπρόσωπο σέρβις της Briggs & Stratton.

² Δεν υπάρχει εγγύηση για κινητήρες σε εξοπλισμό που χρησιμοποιείται για κύρια παροχή ρεύματος στη θέση ρεύματος από οργανισμό κοινής ωφελείας ή για γεννήτριες σε αναμονή που χρησιμοποιούνται για επαγγελματικούς σκοπούς. Οι κινητήρες που χρησιμοποιούνται σε αγώνες ή σε επαγγελματικής χρήσης ή ενοικιαζόμενα αυτοκίνητα, δεν καλύπτονται από την εγγύηση.

³ Κινητήρας Vanguard εγκατεστημένος σε γεννήτριες αναμονής: 24 μήνες εγγύηση για χρήση από ιδιώτη, χωρίς εγγύηση για επαγγελματική χρήση. Κινητήρας Vanguard εγκατεστημένος σε οχήματα γενικής χρήσης: 24 μήνες εγγύηση για χρήση από ιδιώτη, 24 μήνες εγγύηση για επαγγελματική χρήση. Για τις σειρές για επαγγελματική χρήση με ημερομηνία κατασκευής πριν τον Ιούλιο 2017, 24 μήνες εγγύηση για χρήση από ιδιώτη, 24 μήνες εγγύηση για επαγγελματική χρήση.

⁴ Στην Αυστραλία - Τα προϊόντα μας συνοδεύονται από εγγυήσεις που δεν επιτρέπουν εξαίρεσεις βάσει του Αυστραλιανού Νόμου περί του Καταναλωτή. Δικαιούστε αντικατάσταση ή επιστροφή χρημάτων σε περίπτωση σοβαρής βλάβης και αποζημίωση σε περίπτωση οποιασδήποτε άλλης ευλόγως προβλέψιμης απώλειας

Este manual contiene información de seguridad para advertirle sobre los peligros y riesgos asociados con el cortacésped y cómo evitarlos. También incluye instrucciones para el uso y el cuidado correctos del motor. Dado que Briggs & Stratton Corporation no sabe exactamente con qué equipo se utilizará este motor, es importante que lea atentamente estas instrucciones y las instrucciones del equipo. **Conserve estas instrucciones para poder consultarlas en el futuro.**

Nota: Los dibujos e ilustraciones que se incluyen en este manual se ofrecen únicamente como referencia y pueden diferir de su modelo en concreto. Póngase en contacto con su distribuidor si tiene preguntas que formular.

Para repuestos o para recibir asistencia técnica, registre abajo los números de modelo de motor, tipo y código junto con la fecha de compra. Estos números se encuentran en su motor (consulte la sección **Características y Controles**).

Fecha de compra	
Modelo - Tipo - Código	
Número de serie de la unidad	

Busque el código de barras 2D localizado en algunos motores. Cuando se mira con un dispositivo de lectura 2D, el código mostrará nuestro sitio web, desde donde puede acceder a información de soporte para este producto. Se aplica la velocidad de transmisión de datos. Puede que algunos países no tengan disponible información de soporte en línea.



Símbolo	Significado	Símbolo	Significado
	Riesgo de incendio.		Riesgo de explosión
	Riesgo de descarga.		Riesgo de vapores tóxicos
	Riesgo de superficies calientes		Riesgo acústico - Recomendado el uso de protección acústica para un uso prolongado.
	Riesgo de piezas despedidas - Utilice protección ocular.		Riesgo de explosión
	Riesgo de congelación		Riesgo de contragolpe
	Riesgo de amputación - piezas en movimiento		Riesgo químico
	Riesgo de calor térmico		Corrosión

Información sobre reciclado



Todo el embalaje, el aceite usado y las baterías deberán reciclarse de acuerdo con la normativa estatal aplicable.

Seguridad del usuario

Símbolo de alerta de seguridad y palabras incluidas en señales

El símbolo de alerta de seguridad se utiliza para identificar información de seguridad relacionada con riesgos que puedan provocar una lesión personal. Se utiliza una palabra de señalización (PELIGRO, ADVERTENCIA o ATENCIÓN) junto con el símbolo de alerta para indicar la probabilidad y la posible gravedad de una lesión. Además, se puede utilizar un símbolo de peligro para representar el tipo de riesgo.

PELIGRO indica un peligro que, si no se evita, **resultará en muerte o lesión grave.**

ADVERTENCIA indica un peligro que, si no se evita, **podría resultar en muerte o lesión grave.**

ATENCIÓN indica un peligro que, si no se evita, **podría resultar en lesión menor o moderada.**

AVISO indica una situación que **podría provocar daños en el producto.**

Símbolos de peligro y significados

Símbolo	Significado	Símbolo	Significado
	Información de seguridad sobre peligros que pueden provocar lesiones personales.		Lea atentamente el Manual de instrucciones antes de operar la unidad o de realizar alguna operación de servicio.

Mensajes de seguridad



ADVERTENCIA

Ciertos componentes de este producto y de los accesorios relacionados contienen sustancias químicas que el estado de California ha declarado como cancerígenas, productoras de defectos de nacimiento u otros daños reproductivos. Lávese las manos después de manipular estos elementos.



ADVERTENCIA

El escape del motor de este producto contiene sustancias químicas que el estado de California sabe que causan cáncer, defectos de nacimiento u otros daños reproductivos.



ADVERTENCIA

Los motores Briggs & Stratton no han sido diseñados ni están destinados para su uso con karts para diversión/recreo, vehículos todoterreno para uso en eventos competitivos (ATVs); motocicletas; productos para aviación o vehículos para uso en eventos competitivos no autorizados por Briggs & Stratton. Para información sobre productos para eventos competitivos, consulte www.briggsracing.com. Para su uso con vehículos utilitarios y todoterreno side-by-side, póngase en contacto con Briggs & Stratton Engine Application Center, 1-866-927-3349. Un uso inadecuado del motor puede provocar daños graves o incluso la muerte.



ADVERTENCIA



El combustible y sus vapores son extremadamente inflamables y explosivos.

El fuego o las explosiones pueden causar quemaduras graves o incluso la muerte.

Cuando eche combustible

- Apague el motor y deje que el motor se enfríe durante al menos 2 minutos antes de retirar la tapa de llenado de combustible.
- Llene el tanque de combustible al aire libre en un área bien ventilada.
- No llene demasiado el tanque de combustible. Para permitir que el combustible se expanda, no llene el depósito por encima de la parte inferior del cuello del tanque de combustible.

- Mantenga el combustible alejado de chispas, llamas abiertas, pilotos, calor y otras fuentes de ignición.
- Verifique las líneas de combustible, tanque, tapa y conectores a menudo, para constatar si presentan rajaduras o pérdidas. Cámbielos si es necesario.
- Si se derrama combustible, espere hasta que se evapore para arrancar el motor.

Al arrancar el motor

- Asegúrese de que la bujía, el silenciador, el depósito de combustible y el filtro de aire (si se proporcionan) están en su lugar y sujetos.
- No arranque con la manivela el motor con la bujía quitada.
- Si el motor se ahoga, ponga el estrangulador (si se proporciona) en la posición OPEN/RUN (ABIERTO/FUNCIONAMIENTO), mueva el acelerador (si se proporciona) a la posición FAST (RÁPIDO) y arranque con la manivela hasta que el motor arranque.

Cuando opere el equipo

- NO incline el motor o el equipo con un ángulo que pueda ocasionar derrames de combustible.
- No use el estrangulador para detener el motor.
- Nunca arranque ni ponga el motor en funcionamiento sin el conjunto del filtro de aire (si dispone de él) o sin el filtro de aire (si dispone de él).

Cuando cambie el aceite

- Si vacía el aceite desde el tubo de llenado de aceite superior, el tanque de combustible debe estar vacío o el combustible podría salir y provocar un incendio o una explosión.

Cuando se incline la unidad para una operación de mantenimiento

- Cuando realice un trabajo de mantenimiento que requiera inclinar la unidad, el tanque de combustible, si está montado en el motor, debe estar vacío para evitar que se filtre combustible y pueda provocar un incendio o una explosión.

Cuando transporte el equipo

- Transporte el equipo con el tanque de combustible VACÍO o con la válvula de cierre del combustible en posición CERRADA.

Almacenaje de combustible o de equipo con combustible en el tanque

- Almacenar lejos de hornos, estufas, calentadores de agua u otros aparatos que utilicen luces piloto u otras fuentes de encendido ya que estos pueden encender los vapores de gasolina.



ADVERTENCIA

El arranque del motor crea chispas.

Las chispas pueden encender gases inflamables cercanos.

Podría provocar una explosión o incendio.

- Si hay una pérdida de gas natural o gas PL en el área, no ponga el motor en marcha.
- No use líquidos de arranque presurizados, ya que los vapores son inflamables.



ADVERTENCIA

PELIGRO DE GAS TÓXICO. Los gases de escape del motor contienen monóxido de carbono, un gas tóxico que puede matar en cuestión de minutos. NO se puede percibir con la vista, el olfato ni el gusto. Aunque no pueda oler los gases de escape, podría estar expuesto a monóxido de carbono. Si comienza a sentirse mal, mareado o débil cuando use este producto, apáguelo y busque aire fresco INMEDIATAMENTE. Viste a un médico. Puede que se haya intoxicado con monóxido de carbono.

- Ponga en funcionamiento este producto SOLO en el exterior y alejado de ventanas, puertas y respiraderos para reducir el riesgo de que se acumule gas de monóxido de carbono y sea atraído potencialmente hacia espacios ocupados.
- Instale alarmas de monóxido de carbono que funcionen con baterías o alarmas de monóxido de carbono enchufables con batería de seguridad de acuerdo con las instrucciones del fabricante. Las alarmas de incendios no pueden detectar gas de monóxido de carbono.
- NO ponga en funcionamiento este producto en el interior de casas, garajes, sótanos, entresuelos, cobertizos u otros espacios parcialmente cerrados, incluso si utiliza ventiladores o abre puertas y ventanas para ventilar. El monóxido de carbono puede acumularse rápidamente en estos espacios y puede permanecer durante horas, incluso después de que este producto se haya apagado.
- Coloque SIEMPRE este producto a favor del viento y dirija el escape del motor alejado de espacios ocupados.



ADVERTENCIA

La retracción rápida del cable de arranque (el contragolpe) tirará de su mano y su brazo hacia el motor más rápido de lo que imagina.

Puede romperse algún hueso, provocar moratones o esguinces.

- Cuando arranque el motor, tire lentamente del cable de arranque hasta que sienta resistencia y empuje rápidamente para evitar el retroceso rápido.
- Desmonte todo el equipo externo / cargas del motor antes de arrancar el motor.
- Los componentes del equipo de acoplamiento directo como (sin limitarse a ellos) cuchillas, impulsores, poleas, ruedas dentadas, etc., deben estar bien fijados.



ADVERTENCIA

Las piezas giratorias pueden tocar o enredar las manos, pies, cabello, ropa o accesorios.

Puede provocarse una amputación traumática o una grave laceración.

- Opere el equipo con las protecciones montadas.
- Mantenga las manos y los pies lejos de las piezas giratorias.
- Recójase el pelo largo y quítese las joyas.
- No utilice ropa holgada, cordones colgantes u elementos que pudieran quedar atrapados.



ADVERTENCIA

Los motores en funcionamiento producen calor. Las piezas del motor, especialmente el silenciador, se vuelven extremadamente calientes.

Pueden producirse quemaduras térmicas graves al contacto.

Los residuos combustibles, como hojas, césped, hierbas, etc., se pueden inflamar.

- Deje que el silenciador, el cilindro del motor y las aletas se enfríen antes de tocarlos.
- Retire los residuos acumulados de la zona del silenciador y del cilindro.
- Constituye una infracción del artículo 4442 del California Public Resource Code utilizar u operar el motor en la proximidades de terrenos boscosos o de rastrojos o que estén cubiertos de hierba a menos que el sistema de escape esté equipado con un dispositivo antichispas, tal y como se define en la Sección 4442, que además se mantenga en un buen estado de funcionamiento. Otros estados o jurisdicciones federales pueden tener leyes similares. Para obtener un supresor de chispas diseñado para el sistema de escape instalado en este motor, acuda al fabricante original del aparato o a un distribuidor.



ADVERTENCIA

Las chispas no deseadas pueden causar un incendio o una descarga eléctrica.

El arranque accidental puede provocar enredos, amputaciones traumáticas o laceraciones.

Peligro de incendio

Antes de hacer ajustes o reparaciones:

- Desconecte el cable de la bujía y manténgalo alejado de la bujía.
- Desconecte la batería en la terminal negativa (sólo se aplica a motores con arranque electrónico).
- Utilice solo herramientas correctas.
- No aplique fuerza mediante resortes de regulador, enlaces, u otras piezas para aumentar la velocidad del motor.
- Las piezas de reemplazo deben ser las mismas e instalarse en la misma posición que las piezas originales. Otras piezas pueden no funcionar de la misma manera, pueden dañar la unidad, y pueden causar lesiones.
- No golpee el volante con un martillo u otro objeto sólido ya que éste puede romperse durante el funcionamiento.

Cuando pruebe si hay chispas:

- Use un probador de bujías aprobado.
- No revise la chispa si la bujía no está en su sitio.

Características y controles

Controles del motor

Compare la ilustración (Figura: 1, 2, 3, 4) con su motor para familiarizarse con la localización de las diversas características y los mandos.

- A. Números de identificación del motor **Modelo - Tipo - Código**
- B. Bujía
- C. Purificador de aire, Ciclónico
- D. Purificador de aire, Bajo perfil
- E. Varilla indicadora de nivel
- F. Llenado de aceite
- G. Filtro de aceite
- H. Tapón de drenaje de aceite
- I. Sensor de presión del aceite
- J. Protector de dedos
- K. Arranque eléctrico
- L. Solenoide de arranque
- M. Regulador/Rectificador
- N. Carburador - Modelos de carburador
- O. Refrigerador de aceite (si llevara)
- P. Silenciador (si llevara)
- Q. Bomba de combustible
- R. Interruptor de arranque ¹
- S. Control de aceleración ¹
- T. Control del estrangulador - Modelos de carburador ¹
- U. Filtro de combustible (si llevara)

¹ Algunos motores y equipos tienen mandos remotos. Consulte el manual del equipo para conocer la ubicación y el funcionamiento de los controles remotos.

Símbolos de control del motor y su significado

Símbolo	Significado	Símbolo	Significado
	Velocidad del motor - FAST, rápida		Velocidad del motor - SLOW, lenta
	Velocidad del motor - STOP, parada		ON - OFF
	Arranque del motor - Estrangulador CERRADO		Arranque del motor - Estrangulador ABIERTO
	Tapa del depósito de combustible Válvula de cierre de combustible - ABIERTA		Válvula de cierre de combustible - CERRADA
	Nivel de combustible - Máximo No llene el depósito en exceso		

Funcionamiento

Recomendaciones sobre aceite

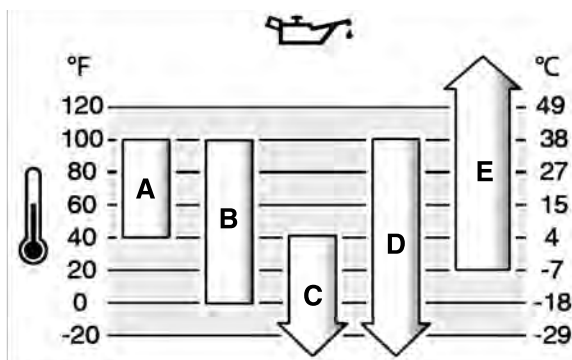
Capacidad de aceite: Ver la sección de *Especificaciones*.

AVISO

Briggs & Stratton envía este producto sin aceite. Es posible que los fabricantes de maquinaria o los distribuidores hayan añadido aceite al motor. Antes de arrancar el motor por primera vez, asegúrese de comprobar el nivel de aceite siguiendo las instrucciones de este manual. Si arranca el motor sin aceite, quedará dañado sin opción a reparación y no estará cubierto por la garantía.

Recomendamos el uso de aceites Briggs & Stratton con garantía certificada para un mejor rendimiento. Otros aceites detergentes de alta calidad son aceptables si están clasificados para servicio SF, SG, SH, SJ o superior. No utilizar aditivos especiales.

Las temperaturas exteriores determinarán la viscosidad adecuada del aceite para el motor. Use la tabla para seleccionar la mejor viscosidad para el margen de temperatura exterior que se espera. La mayoría de motores en equipos de exterior funcionan bien con el aceite sintético 5W-30. Para el uso de equipos en temperaturas altas, el aceite sintético Vanguard™ 15W-50 ofrece la mejor protección.



A	SAE 30 - Con menos de 4 °C, el uso de SAE 30 provocará un arranque difícil.
B	10W-30 - Por encima de los 27 °C, el uso de 10W-30 puede provocar un aumento en el consumo de aceite. Compruebe el nivel de aceite con mayor frecuencia.
C	5W-30
D	Sintético 5W-30
E	Vanguard™ sintético 15W-50

Comprobar el nivel de aceite

Observe la Figura: 5

Antes de añadir o comprobar el aceite

- Cerciórese de que la unidad esté nivelada.
- Limpie cualquier suciedad del área de llenado del aceite.

1. Saque la varilla medidora (A, Figura 5) y límpiela con un paño limpio.
2. Introduzca a fondo la varilla medidora (A, Figura 5).
3. Saque la varilla y compruebe el nivel del aceite. El nivel de aceite correcto se indica en la parte superior de la señal indicadora de lleno (B, Figura 5) de la varilla.
4. Si el nivel del aceite está bajo, añada lentamente aceite por el orificio de llenado de aceite del motor (C, Figura 5). **No llene el depósito en exceso.** Después de añadir aceite, espere un minuto y luego vuelva a revisar el nivel de aceite.
5. Introduzca a fondo la varilla medidora (A, Figura 5).

Sistema de protección contra bajo nivel de aceite (si llevara)

Algunos motores llevan un detector de bajo nivel de aceite. Si el nivel de aceite está bajo, el detector activará una luz de advertencia o parará el motor. Pare el motor y realice estas operaciones antes de volver a arrancarlo.

- Cerciórese de que la unidad esté nivelada.
- Compruebe el nivel de aceite. Consulte la sección **Comprobar el nivel de aceite**.
- Si el nivel está bajo, añada la cantidad adecuada de aceite. Arranque el motor y asegúrese de que no se encienda la luz de advertencia (si llevara).

- No arranque el motor si el nivel de aceite es demasiado bajo. Para corregir el problema del aceite, consulte a un distribuidor autorizado de Briggs & Stratton.

Recomendaciones sobre combustible

El combustible debe cumplir estos requisitos:

- Gasolina en buen estado y sin plomo.
- Un mínimo de 87 octanos/87 AKI (91 RON). Para usos en grandes altitudes, véase abajo.
- También se puede utilizar gasolina con un porcentaje de hasta 10% de etanol (gasohol).

AVISO No utilice gasolinas no homologadas, como es el caso de E85. No haga mezclas con las gasolina ni realice modificaciones en el motor para hacerlo funcionar con otros combustibles. Hacer tal cosa dañaría los componentes del motor y anularía su garantía.

Para proteger el sistema de combustible de la formación de resinas, mezcle un estabilizador de combustible en el combustible. Consulte la sección **Almacenamiento**. No todos los combustibles son iguales. Si tiene problemas durante el arranque o el funcionamiento, cambie de proveedor o marca de combustible. El funcionamiento de este motor con gasolina está certificado. El sistema de control de emisiones para este motor es EM (Modificaciones de motores).

Gran altitud

A altitudes superiores a los 1.524 metros (5.000 pies), es aceptable una gasolina de 85 octanos/85 AKI (89 RON).

Para motores carburados se requiere el ajuste de gran altitud para mantener su rendimiento. Sin este ajuste, la bomba perderá rendimiento y aumentarán el consumo de combustible y las emisiones. Para información sobre el ajuste especial para gran altitud, consulte a un concesionario autorizado Briggs & Stratton. No se recomienda hacer funcionar el motor con el ajuste para grandes alturas a altitudes inferiores a los 762 metros (2.500 pies).

Para motores EFI (Inyección electrónica de combustible), no es necesario realizar un ajuste de gran altura.

Adición de combustible

Observe la figura: 6



ADVERTENCIA

El combustible y sus vapores son extremadamente inflamables y explosivos.

El fuego o las explosiones pueden causar quemaduras graves o incluso la muerte.

Al añadir combustible

- Apague el motor y deje que se enfríe durante al menos 2 minutos antes de retirar la tapa de llenado de combustible.
 - Llène el tanque de combustible en exteriores en un área bien ventilada.
 - No llene demasiado el tanque de combustible. Para permitir que el combustible se expanda, no llene el depósito por encima de la parte inferior del cuello del tanque de combustible.
 - Mantenga el combustible alejado de chispas, llamas directas, llamas piloto, calor y otras fuentes de ignición.
 - Revise los tubos de combustible, el tanque, la tapa y los conectores a menudo, para constatar si presentan grietas o pérdidas. Cambie si es necesario.
 - Si se derrama combustible, espere hasta que se evapore para arrancar el motor.
1. Limpie el área de la tapa del tanque de combustible. Retire la tapa del combustible.
 2. Llène el tanque de combustible (A, Figura 6) con gasolina. Para permitir que el combustible se expanda, no llene el depósito por encima de la parte inferior del cuello del tanque de combustible (B).
 3. Vuelva a instalar la tapa del combustible.

Arrancar y parar el motor

Observe la Figura: 7

Arrancar el motor



ADVERTENCIA

El combustible y sus vapores son extremadamente inflamables y explosivos.

El fuego o las explosiones pueden causar quemaduras graves o incluso la muerte.

Cuando arranque el motor

- Asegúrese de que la bujía, el silenciador, la tapa de llenado de combustible y el depurador de aire (si llevara) estén colocados y fijos en su lugar.
- No encienda el motor con la bujía desmontada.
- Si el motor se ahoga, coloque el estrangulador (si llevara) en la posición abrir/marcha, OPEN/RUN, ponga el acelerador (si llevara) en rápido, FAST y gire el motor hasta que arranque.



ADVERTENCIA

PELIGRO DE GAS TÓXICO. Los gases de escape del motor contienen monóxido de carbono, un gas tóxico que puede matar en cuestión de minutos. **NO se puede percibir con la vista, el olfato ni el tacto. Aunque no pueda oler los gases de escape, podría estar expuesto a monóxido de carbono. Si comienza a sentirse mal, mareado o débil cuando use este producto, apáguelo y salga a respirar aire puro DE INMEDIATO. Acuda al médico. Puede que se haya intoxicado con monóxido de carbono.**

- Utilice este producto EXCLUSIVAMENTE en el exterior, lejos de puertas, ventanas y respiraderos, a fin de reducir el riesgo de que el monóxido de carbono se acumule y penetre en espacios habitados.
- Instale alarmas de detección de monóxido de carbono, con batería o con alimentación eléctrica y batería de reserva, tal como se indica en las instrucciones del fabricante. Los detectores de humo no detectan el monóxido de carbono.
- NO utilice este producto en hogares, garajes, sótanos, espacios reducidos, cobertizos ni otros lugares parcialmente cerrados aunque haya ventiladores o las puertas y las ventanas están abiertas para facilitar la ventilación. El monóxido de carbono puede acumularse rápidamente en estos espacios y perdurar ahí durante horas, aún después de que este producto se haya apagado.
- Coloque SIEMPRE el producto en la dirección del viento y dirija el tubo de escape del motor en dirección opuesta a cualquier posible espacio habitado.

AVISO Este motor ha sido enviado por Briggs & Stratton sin aceite. Antes de arrancar el motor, asegúrese de añadir aceite según las instrucciones de este manual. Si arranca el motor sin aceite, resultará dañado, no podrá repararse y los daños no serán cubiertos por la garantía.

Determine el sistema de arranque

Antes de arrancar el motor deberá determinar el tipo de sistema de arranque que incorpora su modelo. Su motor tendrá uno de los siguientes tipos.

- **Sistema EFI (Inyección Electrónica de Combustible):** Lleva Inyección electrónica de combustible. No dispone de un estrangulador o un cebador.
- **Sistema de estrangulador:** Este sistema lleva un estrangulador para arrancar en bajas temperaturas. Algunos modelos tienen un control del estrangulador separado, mientras que otros presentan una combinación de control del estrangulador y acelerador. Este tipo no tiene cebador.

Nota: El equipo puede llevar controles remotos. Consulte el manual del equipo para conocer la ubicación y el funcionamiento de los controles remotos.

Sistema EFI (Inyección Electrónica de Combustible)

1. Compruebe el aceite. Consulte la sección **Comprobar el nivel del aceite**.
2. Asegúrese de que los controles de mando del equipo, si llevara, estén desembargados.
3. Mueva la válvula de cierre de combustible (A, Figura 7), si llevara, a la posición OPEN, abierta.
4. Mueva el control de aceleración (B, Figura 7), si llevara, a la posición rápido, FAST. Haga funcionar el motor en posición rápido, FAST.
5. Ponga el interruptor de paro (D, Figura 7), si llevara, en posición de arranque, ON.
6. Ponga el interruptor de arranque eléctrico (E, Figura 7) en posición de encendido o de arranque, ON o START.

AVISO Para prolongar la vida del arranque, utilice ciclos de arranque cortos (máximo de cinco segundos). Espere un minuto entre ciclos de arranque.

Nota: Si el motor no arranca tras varios intentos repetidos, contacte con su concesionario local, acceda a VanguardEngines.com o llame al **1-800-999-9333** (en EE.UU).

Sistema del estrangulador

1. Compruebe el aceite. Consulte la sección **Comprobar el nivel del aceite**.
2. Asegúrese de que los controles de mando del equipo, si llevara, estén desembargados.

- Mueva la válvula de cierre de combustible (A, Figura 7), si llevara, a la posición OPEN, abierta.
- Mueva el control de aceleración (B, Figura 7), si llevara, a la posición rápido, FAST. Haga funcionar el motor en posición rápido, FAST.
- Mueva el control del estrangulador (C, Figura 7), o el estrangulador/acelerador combinado a la posición de CLOSE, cerrada.

Nota: Para arrancar el motor con un sistema de combustible seco (arranque por primera vez o tras agotar el combustible), será necesario un arranque adicional en la posición de estrangulamiento. Con ello se dará tiempo a la bomba de combustible para cebar el sistema de combustible.

- Ponga el interruptor de paro (D, Figura 7), si llevara, en posición de arranque, ON.
- Gire la llave de encendido (E, Figura 7) a la posición de funcionamiento/arranque, ON o START.
- Si el motor da chispa pero se para, mueva el estrangulador (C, Figura 7) a posición OPEN, abierto, para poner en marcha el motor.

AVISO Para prolongar la vida del arranque, utilice ciclos de arranque cortos (máximo de cinco segundos). Espere un minuto entre ciclos de arranque.

- Al ir calentándose el motor, mueva el control estrangulador (C, Figura 7) a la posición OPEN, abierto.

Nota: Si el motor no arranca tras varios intentos repetidos, contacte con su concesionario local, acceda a VanguardEngines.com o llame al **1-800-999-9333** (en EE.UU.).

Parar el motor



ADVERTENCIA

El combustible y sus vapores son extremadamente inflamables y explosivos.

El fuego o las explosiones pueden causar quemaduras graves o incluso la muerte.

- No cebe el carburador para detener el motor.
- Interruptor de paro, si llevara:** Ponga el interruptor de paro (D, Figura 7) en posición OFF, apagado.
Interruptor de llave, si llevara: Con el control del acelerador en posición SLOW, lenta, gire la llave de encendido (E, Figura 7) hasta la posición OFF, parada. Saque la llave y guárdela en un lugar seguro lejos del alcance de los niños.
 - Una vez parado el motor, ponga la válvula de cierre del combustible (A, Figura 7), si llevara, en posición CLOSED, cerrada.

Mantenimiento

AVISO Si el motor se inclina durante el mantenimiento, el tanque de combustible debe vaciarse y el lateral de la bujía debe estar en vertical. Si no se vacía el tanque de gasolina y el motor se inclina en cualquier otra dirección, es posible que resulte difícil arrancarlo ya que probablemente el aceite o el combustible habrán ensuciado el filtro del aire y/o la bujía.



ADVERTENCIA

Cuando se realice una operación de mantenimiento que requiera inclinar la unidad, el tanque, si está montado en el motor, debe estar vacío o puede que se filtre combustible y que cause un incendio o una explosión.

Recomendamos que consulte con un concesionario de servicio autorizado Briggs & Stratton para todas las operaciones de mantenimiento y servicio del motor y de sus piezas.

AVISO Todos los componentes utilizados para la construcción de este motor deben estar montados para una operación correcta.



ADVERTENCIA

Las chispas no deseadas pueden causar un incendio o una descarga eléctrica.

Un arranque involuntario puede ocasionar enredos, amputaciones traumáticas, o laceración.

Riesgo de incendio.

Antes de realizar ajustes o reparaciones:

- Desconecte el cable de la bujía y manténgalo alejado de la bujía.
- Desconecte la batería en el polo negativo (sólo se aplica a motores con arranque electrónico).
- Utilice solamente las herramientas apropiadas.
- NO manipule el muelle del regulador, las varillas u otras partes para incrementar el régimen del motor.
- Las piezas de repuesto deben ser las mismas e instalarse en la misma posición que las piezas originales. Otras piezas pueden no funcionar de la misma manera, pueden dañar la unidad, y causar lesiones.
- No golpee el volante con un martillo o un objeto sólido ya que éste puede romperse durante el funcionamiento.

Cuando revise la bujía:

- Utilice un probador de bujías que esté homologado.
- No revise la chispa si la bujía no está en su sitio.

Servicio de control de emisiones

El mantenimiento, reemplazo o reparación de los dispositivos y sistemas de control de emisiones pueden ser realizados por cualquier establecimiento o persona que repare motores todo terreno. Sin embargo, para obtener servicio de control de emisiones "sin cargo alguno", esta operación debe ser realizada por un distribuidor autorizado por la fábrica. Consulte la garantía del control de emisiones.

Programa de mantenimiento

Cada 8 horas o a diario
<ul style="list-style-type: none"> Comprobar el nivel del aceite del motor Limpiar el área alrededor del silenciador y los controles
Cada 100 horas o anualmente
<ul style="list-style-type: none"> Cambiar las bujías Cambio del aceite del motor Cambiar filtro de aceite (si llevara) Realizar el mantenimiento del filtro del aire ^{1, 2} Limpie el prefiltro (si llevara) ¹ Realizar el mantenimiento del sistema de escape
Cada 250 horas
<ul style="list-style-type: none"> Revisar la holgura de la válvula. Ajustar si fuera necesario.
Cada 400 horas o anualmente
<ul style="list-style-type: none"> Cambiar el filtro de aire ² Cambiar el filtro de combustible Realizar el mantenimiento del sistema de refrigeración ¹ Limpiar aletas del refrigerador de aceite ¹
Cada 600 horas o anualmente
<ul style="list-style-type: none"> Cambiar filtro de seguridad (si llevara)

¹ Limpiar más a menudo en condiciones de mucho polvo o con partículas suspendidas.

² Cada tercer cambio del filtro de aire, cambie el filtro de seguridad interno (si llevara).

Sistema EFI (Inyección Electrónica de Combustible)

El sistema EFI monitoriza la temperatura y la velocidad del motor y el voltaje de la batería para el arranque y el calentamiento del motor. No se realizan ajustes en el sistema. Si se producen problemas de arranque o de funcionamiento, contacte con un concesionario de servicio autorizado de Briggs & Stratton.

AVISO Respete las instrucciones siguientes para evitar daños en el sistema EFI.

- No arranque nunca el motor si los cables de la batería están flojos.
- Ponga la llave en posición de apagado antes de desconectar, desmontar o instalar la batería.
- No use nunca un cargador de batería para arrancar el motor.
- No desconecte nunca los cables de la batería mientras el motor está en marcha.
- Cuando conecte los cables de la batería, conecte primero el borne positivo (+) y después el negativo (-) a la batería.

- Cuando cargue la batería, apague el interruptor de encendido y desconecte el borne negativo (-) de la misma.
- No pulverice agua directamente sobre el Módulo de control electrónico.

Carburador y velocidad del motor

No ajuste la velocidad del carburador ni del motor. El carburador ha sido ajustado con valores de fábrica para que pueda funcionar de un modo eficaz en la mayoría de las condiciones. NO manipule el muelle del regulador, las varillas u otras piezas para incrementar el régimen del motor. Si necesitara algún ajuste, contacte con un Distribuidor autorizado Briggs & Stratton para el servicio.

AVISO El fabricante del equipo especifica la velocidad del máxima del motor instalado en el equipo. **No exceda** esta velocidad. Si no sabe cuál es la velocidad máxima del motor, o cómo se ha ajustado ésta en fábrica, contacte con un concesionario autorizado Briggs & Stratton para solicitar ayuda. Para una operación segura y correcta el equipo, la velocidad del motor debe ser ajustada solo por un técnico de servicio cualificado.

Revisar la bujía

Consulte la Figura: 8

Compruebe la distancia entre electrodos (A, Figura 8) con un calibrador de alambre (B). Si fuera necesario, reajuste la distancia entre electrodos. Monte la bujía y apriétela al par recomendado. Para información sobre el ajuste de la distancia o el par de apriete, consulte la sección **Especificaciones**.

Nota: NOTA: En algunas áreas, las leyes locales requieren el uso de una bujía con resistencia para suprimir señales de encendido. Si un motor vino originalmente equipado con una bujía con resistencia, asegúrese de usar el mismo tipo de bujía cuando la vaya a cambiar.

Remoción del sistema de escape



ADVERTENCIA

Los motores en marcha producen calor. Las piezas del motor, especialmente el silenciador, se vuelven sumamente calientes.

Se pueden producir quemaduras térmicas graves al contacto.

Detritos de combustibles, tales como hojas, césped, maleza, etc., pueden incendiarse.

- Deje que el silenciador, el cilindro y las aletas del motor se enfríen antes de tocarlos.
- Retire toda la suciedad del área del silenciador y del área del cilindro.
- Constituye una infracción del artículo 4442 del California Public Resource Code utilizar u operar el motor en la proximidades de terrenos boscosos o de rastrojos o que estén cubiertos de hierba a menos que el sistema de escape esté equipado con un dispositivo antichispas, tal y como se define en la Sección 4442, que además se mantenga en un buen estado de funcionamiento. Otros estados o jurisdicciones federales pueden tener normas legales similares. Para obtener una pantalla antichispas diseñada para el sistema de escape instalado en este motor, acuda al fabricante original del aparato o a un distribuidor.

Retire toda la suciedad acumulada del área del silenciador y inspeccione el silenciador por si presenta fisuras, corrosión u otros daños. Retire la pantalla antichispas, si está instalada, e inspeccione si presenta daños o acumula carbonilla. Si están dañados, monte los repuestos antes de operar la unidad.



ADVERTENCIA

Las piezas de reemplazo deben ser las mismas e instalarse en la misma posición que las piezas originales. Otras piezas pueden no funcionar de la misma manera, pueden dañar la unidad, y pueden causar lesiones.

Cambio del aceite del motor

Observe la Figura: 9, 10, 11

El aceite usado es un producto de desecho peligroso y debe eliminarse de un modo correcto. No lo tire a un cubo de residuos domésticos. Pregunte a las autoridades locales, a un centro de mantenimiento o a un distribuidor dónde existen instalaciones para la eliminación/reciclaje de estos residuos.

Extracción del aceite

1. Con el motor apagado pero todavía caliente, desconecte el o los cables de las bujías (D, Figura 9) y manténgalos alejados de las bujías (E).
2. Saque la varilla medidora (A, Figura 10).
3. Quite el tapón de drenado del aceite (F, Figura 11). Drene el aceite en un recipiente aprobado para este fin.
4. Una vez drenado el aceite, coloque y apriete el tapón de drenado del aceite (F, Figura 11).

Cambie el filtro de aceite, si llevara

Algunos motores llevan un filtro de aceite. Para información sobre los intervalos de cambio, consulte el **Programa de mantenimiento**.

1. Drene el aceite del motor. Consulte la sección **Extracción del aceite**.
2. Quite el filtro de aceite (G, Figura 11) y elimínelo de la manera adecuada.
3. Antes de montar el nuevo filtro de aceite, lubrique ligeramente la junta del filtro con aceite nuevo y limpio.
4. Coloque el filtro de aceite a mano hasta que la junta haga contacto con el adaptador del filtro, y apriételo de 1/2 a 3/4 de vuelta.
5. Añada aceite. Consulte la sección **Añadir aceite**.
6. Arranque el motor y hágalo funcionar. Según se va calentando el motor, compruebe si hay fugas de aceite.
7. Para el motor y compruebe el nivel de aceite. El nivel de aceite correcto se indica en la parte superior de la señal indicadora de lleno (B, Figura 10) de la varilla.

Adición de aceite

- Cerciórese de que la unidad esté nivelada.
- Limpie cualquier suciedad del área de llenado del aceite.
- Consulte la sección **Especificaciones** para ver la capacidad de almacenamiento del aceite.

1. Saque la varilla medidora (A, Figura 10) y límpiela con un paño limpio.
2. Vierta lentamente aceite por el orificio de llenado de aceite del motor (C, Figura 10). **No llene el depósito en exceso.** Después de añadir aceite, espere un minuto y luego compruebe el nivel de aceite.
3. Coloque y apriete la varilla medidora (A, Figura 10).
4. Saque la varilla y compruebe el nivel del aceite. El nivel de aceite correcto se indica en la parte superior de la señal indicadora de lleno (B, Figura 10) de la varilla.
5. Coloque de nuevo la varilla medidora y apriétela (A, Figura 10).
6. Conecte el o los cables (D, Figura 9) a las bujías (E).

Mantenimiento del filtro de aire

Observe la Figura: 12, 13



ADVERTENCIA

El combustible y sus vapores son extremadamente inflamables y explosivos.

El fuego o las explosiones pueden causar quemaduras graves o incluso la muerte.

- Nunca arranque o haga funcionar el motor con el conjunto del depurador de aire (si llevara) o el filtro de aire (si llevara) quitados.

AVISO No utilice aire presurizado o disolventes para limpiar el filtro. El aire presurizado puede dañar el filtro y los disolventes lo disolverán.

Consulte la sección **Programa de mantenimiento** para ver los requisitos de mantenimiento.

Los motores utilizan un filtro de espuma o uno de papel. Algunos modelos también incluyen un prefiltro que se puede lavar y volver a utilizar de nuevo. Compare las ilustraciones de este manual con el tipo instalado en su motor y realice su mantenimiento en consecuencia.

Filtro de aire de papel

1. Abra el o los cierres (A, Figura 12) y saque la tapa (B).
2. Saque el filtro de aire (C, Figura 12).
3. Para quitar en lo posible la suciedad, golpee suavemente el filtro de aire contra una superficie dura. Si el filtro de aire está excesivamente sucio, cámbielo por uno nuevo.

- Para desmontar el filtro de seguridad (D, Figura 12), si llevara, sepárelo con cuidado del cuerpo del depurador de aire (E). Asegúrese de que no entre suciedad ni residuos en el motor.
- Monte el nuevo filtro de seguridad (D, Figura 12) en el cuerpo del depurador de aire (E).
- Monte el filtro de aire (C, Figura 12) sobre el filtro de seguridad (D).
- Monte la tapa (B, Figura 12) y cierre los retenedores (A).

Filtro de aire de papel

- Afloje el o los cierres (A, Figura 13).
- Abra la tapa (B, Figura 13).
- Quite el o los cierres (C, Figura 13) y el retén (D).
- Saque el filtro de aire (E, Figura 13).
- Saque el prefiltro (F, Figura 13), si llevara, del filtro de aire (E).
- Para quitar en lo posible la suciedad, golpee suavemente el filtro de aire (E, Figura 13) contra una superficie dura. Si el filtro de aire está excesivamente sucio, cámbielo por uno nuevo.
- Lave el prefiltro (F, Figura 13), si llevara, con detergente líquido y agua. Deje que se seque bien el prefiltro. **No engrase el prefiltro.**
- Monte el prefiltro seco (F, Figura 13), si llevara, en el filtro de aire (E).
- Monte el filtro de aire (E, Figura 13) y asegúrelo con el retén (D) y el o los cierres (C).
- Monte la tapa (B, Figura 13) y asegúrela con el o los cierres (A). Verifique que los cierres están bien apretados.

Mantenimiento del sistema de combustible

Consulte la Figura: 14



ADVERTENCIA

El combustible y sus vapores son extremadamente inflamables y explosivos.

El fuego o las explosiones pueden causar quemaduras graves o incluso la muerte.

- Mantenga el combustible alejado de chispas, llamas abiertas, pilotos, calor y otras fuentes de ignición.
- Verifique las líneas de combustible, tanque, tapa y conectores a menudo, para constatar si presentan rajaduras o pérdidas. Cámbielos si es necesario.
- Antes de limpiar o cambiar el filtro de combustible, drene el tanque de gasolina o cierre la válvula de corte de combustible.
- Si se derrama combustible, espere hasta que se evapore para arrancar el motor.
- Las piezas de repuesto deben ser iguales e instalarse en la misma posición que las originales.

Filtro de combustible, si llevara

- Antes de cambiar el filtro de combustible (A, Figura 14), si llevara, drene el tanque de gasolina o cierre la válvula de cierre de combustible. Si no lo hace, pueden producirse fugas de combustible y provocar un incendio o una explosión.
- Con unos alicates, sujete fuerte las pestañas (B, Figura 14) de las abrazaderas (C), y retire estas del filtro de combustible (A). Gire y saque las mangueras de combustible (D) del filtro.
- Compruebe si las mangueras de combustible (D, Figura 14) presentan grietas o pérdidas. Cámbielas si es necesario.
- Cambie el filtro de combustible (A, Figura 14) por un filtro de repuesto original.
- Asegure las mangueras de combustible (D, Figura 14) con las abrazaderas (C) como se indica.

Remoción del Sistema de refrigeración

Observe la Figura: 15, 16



ADVERTENCIA

Los motores en marcha producen calor. Las piezas del motor, especialmente el silenciador, se vuelven sumamente calientes.

Se pueden producir quemaduras térmicas graves al contacto.

Los restos de suciedad combustibles, como hojas, césped, maleza, etc., pueden incendiarse.

- Deje que el silenciador, el cilindro y las aletas del motor se enfríen antes de tocarlos.
- Retire toda la suciedad del área del silenciador y del área del cilindro.

AVISO No utilice agua para limpiar el motor. El agua puede contaminar el sistema de combustible. Utilice un cepillo o un paño seco para limpiar el motor.

Este es un motor refrigerado por aire. La suciedad o los detritos pueden restringir el flujo de aire y provocar el sobrecalentamiento del motor, reduciendo su rendimiento y acortando su vida útil.

- Utilice un cepillo o un paño seco para eliminar los restos de suciedad de la rejilla de la toma de aire (A, Figura 15).
- Mantenga la conexión, resortes y controles (B, Figura 15, 16) limpios.
- Mantenga el área alrededor del silenciador y detrás de él (C, Figura 15, 16) libre de residuos combustibles.
- Asegúrese de que no haya suciedad ni residuos en las aletas de refrigeración de aceite (D, Figura 15).
- Afloje el o los cierres (E, Figura 16) hasta que se perciba un clic. Saque el panel (F) y limpie la zona eliminando la suciedad y los residuos. Asegúrese de limpiar también la parte inferior del panel.
- Monte el panel (F, Figura 16) y asegúrelo con el o los cierres (E). Apriete el o los cierres hasta que se perciba un clic.

Tras un periodo de tiempo puede acumularse suciedad en las aletas de refrigeración del cilindro y provocar el sobrecalentamiento del motor. Estos restos de suciedad no pueden eliminarse sin desmontar parcialmente el motor. Pida a un concesionario autorizado de Briggs & Stratton que revise y limpie el sistema de refrigeración por aire tal como se recomienda en el **Programa de mantenimiento**.

Almacenaje



ADVERTENCIA

El combustible y sus vapores son extremadamente inflamables y explosivos.

El fuego o las explosiones pueden causar quemaduras graves o incluso la muerte.

Almacenaje de combustible o de equipo con combustible en el tanque

- Almacenar lejos de hornos, estufas, calentadores de agua u otros aparatos que utilicen luces piloto u otras fuentes de encendido ya que estos pueden encender los vapores de gasolina.

Sistema de combustible

Consulte la figura: 17

Almacene el nivel del motor (posición de funcionamiento normal). Llene el tanque de combustible (A, Figura 17) con combustible. Para permitir que el combustible se expanda, no llene el depósito por encima del cuello del tanque de combustible (B).

El combustible puede echarse a perder si se almacena durante más de 30 días. El combustible en mal estado provoca la formación de residuos ácidos y carbonilla en el sistema de combustible y en los componentes básicos del carburador. Para mantener el combustible en buen estado, use **estabilizador y agente de tratamiento de combustible de fórmula avanzada** Briggs & Stratton, disponible en todos los puntos de venta de piezas de repuesto originales Briggs & Stratton.

No es necesario vaciar la gasolina del motor si se añade estabilizador de combustible conforme a las instrucciones. Haga funcionar el motor durante dos (2) minutos para que el estabilizador circule por todo el circuito de combustible antes del almacenamiento.

Si el combustible del motor no se ha tratado con un estabilizador de combustible, debe vaciarse en un contenedor aprobado para tal fin. Haga funcionar el motor hasta que se detenga por falta de combustible. Se recomienda usar un estabilizador de combustible en el recipiente de almacenamiento para mantener el combustible en perfecto estado.

Aceite del motor

Cambie el aceite del motor cuando esté aún caliente. Consulte la sección **Cambio del aceite del motor**.

Solución de problemas

Si necesita ayuda, póngase en contacto con su concesionario local, acceda a VanguardEngines.com o llame al número **1-800-999-9333** (en EE.UU.).

Especificaciones

Modelo: 540000	
Cilindrada	54.68 ci (896 cc)
Diámetro	3.366 in (85,5 mm)
Carrera	3.071 in (78,0 mm)
Capacidad de aceite	78 - 80 oz (2,3 - 2,4 L)
Abertura de la bujía	.030 in (.76 mm)
Torsión de la bujía	180 lb-in (20 Nm)
Entrehierro Inducido	.005 - .008 in (.13 - .20 mm)
Holgura de la válvula de admisión	.004 - .006 in (.10 - .15 mm)
Holgura de la válvula de escape	.007 - .009 in (.18 - .23 mm)

Modelo: 610000, 61E100	
Cilindrada	60.60 ci (993 cc)
Diámetro	3.366 in (85,5 mm)
Carrera	3.406 in (86,5 mm)
Capacidad de aceite	78 - 80 oz (2,3 - 2,4 L)
Abertura de la bujía	.030 in (.76 mm)
Torsión de la bujía	180 lb-in (20 Nm)
Entrehierro inducido - Modelos de carburador	.005 - .008 in (.13 - .20 mm)
Holgura de la válvula de admisión	.004 - .006 in (.10 - .15 mm)
Holgura de la válvula de escape	.007 - .009 in (.18 - .23 mm)

Específicamente, la potencia del motor se reducirá un 3,5% por cada 300 metros (1.000 pies) de altitud sobre el nivel del mar y un 1% por cada 5,6°C (10°F) sobre los 25°C (77°F). El motor funcionará de manera satisfactoria a un ángulo de hasta 15°. Consulte el manual de instrucciones del equipo para ver los límites operativos permisibles y seguros en pendientes.

Piezas de servicio - Modelo: 540000, 610000, 61E100	
Kit de servicio	Número de pieza
Filtro de aire ciclónico (Figura 12)	841497
Filtro de seguridad ciclónico (Figura 12)	821136
Filtro de aire, Bajo perfil (Figura 13)	692519
Pre-filtro, Bajo perfil (Figura 13)	692520
Aceite - SAE 30	100028
Filtro de aceite	842921
Estabilizador de combustible Advanced Formula Fuel Treatment & Stabilizer	100117, 100120
Filtro de combustible	691035
Bujía de resistencia	491055
Bujía de platino de larga duración	5066
Llave para bujías	19374
Supresor de chispas	19368

Se recomienda consultar con un concesionario de servicio autorizado de Briggs & Stratton para realizar todo el mantenimiento y el servicio del motor y de sus piezas.

Potencia nominal: El valor de potencia bruta nominal de cada modelo de motor de gasolina está indicado en una etiqueta conforme al código J1940, Procedimiento de valoración de potencia y par de torsión para motores pequeños, de la Society of Automotive Engineers (Sociedad de Ingenieros de Automoción, SAE) y se ajusta conforme al código SAE J1995. Los valores de par de torsión se obtienen a 2600 RPM para los motores con indicación de "rpm" en la etiqueta y a 3060 RPM para todos los demás; los valores de potencia se obtienen a 3600 RPM. Las curvas de potencia bruta se pueden ver en www.BRIGGSandSTRATTON.COM. Los valores de potencia neta se obtienen con el escape y filtro de aire instalados, mientras que los valores de potencia bruta se obtienen sin estos elementos. La potencia bruta real del motor es superior a la potencia neta del motor y depende, entre otros factores, de las condiciones ambientales de uso y de las variaciones entre distintos motores del mismo modelo. Dada la amplia variedad de productos que utilizan nuestros motores, es posible que el motor de gasolina no desarrolle la potencia bruta nominal en determinados equipos. Esta diferencia se debe a los siguientes factores, entre otros: variedad de componentes del motor (filtro de aire, escape, carga,

refrigeración, carburador, bomba de combustible, etc.), limitaciones de la aplicación, condiciones ambientales de uso (temperatura, humedad, altitud) y variaciones entre distintos motores de un mismo modelo. Debido a limitaciones de fabricación y capacidad, Briggs & Stratton puede sustituir un motor de una potencia nominal mayor por este motor.

Garantía

Garantía de los motores Briggs & Stratton

Desde enero de 2017

GARANTÍA LIMITADA

Briggs & Stratton garantiza que, durante el periodo de garantía especificado a continuación, reparará o reemplazará, sin cargo, cualquier pieza defectuosa en cuanto a materiales, mano de obra o ambos. El comprador será responsable de pagar los cargos de transporte relativos a los productos enviados para reparación o sustitución según esta garantía. Esta garantía se mantiene vigente durante los periodos de tiempo indicados a continuación y está sujeta a dichos periodos y a las condiciones que se indican a continuación. Para recurrir al servicio en garantía, busque el servicio técnico autorizado más cercano en el mapa localizador de distribuidores que hay disponible en BRIGGSandSTRATTON.com. El comprador debe ponerse en contacto con el distribuidor de servicio autorizado y hacerle llegar el producto para que lo inspeccione y lo pruebe.

No existe otra garantía expresa. Las garantías implícitas, incluidas las de comerciabilidad e idoneidad para un propósito en particular, están limitadas al periodo de garantía mencionado a continuación, o en la medida que lo permita la ley. La responsabilidad por daños directos o emergentes está excluida según lo permita la ley. Algunos estados o países no permiten limitaciones sobre la duración de una garantía implícita y algunos estados o países no permiten la exclusión o limitación de daños directos o indirectos, por lo que puede que las limitaciones y exclusiones anteriores no se apliquen en su caso. Esta garantía le otorga derechos legales específicos; también podría tener otros que varían según el estado o el país ⁴.

Términos de la garantía estándar 1, 2, 3

Marca / Nombre del producto	Uso del consumidor	Uso comercial
Vanguard™; Serie comercial	36 meses	36 meses
Motores con camisa de cilindro de fundición Dura-Bore™	24 meses	12 meses
Todos los demás motores	24 meses	3 meses

¹ Estos son los términos de nuestra garantía estándar, pero en algunos casos puede haber cobertura de garantía adicional no determinada en el momento de la publicación. Para ver la lista de términos actuales de la garantía para su motor, acceda a BRIGGSandSTRATTON.com o contacte con su Distribuidor autorizado Briggs & Stratton.

² No están cubiertos por la garantía los motores montados en equipo utilizado para suministrar energía en lugar de un servicio o para generadores de reserva utilizados para fines comerciales. Los motores utilizados en carreras deportivas o pistas profesionales o para el alquiler no están cubiertos por la garantía.

³ Vanguard montado en generadores de reserva: 24 meses de uso por consumidor, no uso comercial en garantía. Vanguard montado en vehículos industriales: 24 meses de uso consumidor, 24 meses de uso comercial. Serie comercial con fecha de fabricación antes de julio de 2017, 24 meses de consumo, 24 meses de uso comercial.

⁴ En Australia, nuestros productos están cubiertos por garantías ineludibles de acuerdo con la legislación sobre consumo de este país. Tiene derecho a una sustitución o un reembolso por una avería importante y a compensación por cualquier otra pérdida o daño razonablemente previsible. También tiene derecho a una reparación o sustitución de productos si estos no son de una calidad aceptable y la avería no asciende a una avería importante. Para el servicio de garantía, busque el distribuidor de servicio autorizado más cercano en el mapa localizador de distribuidores en BRIGGSandSTRATTON.com, o llame al 1300 274 447, o envíe un correo electrónico u ordinario a salesenquires@briggsandstratton.com.au, Briggs & Stratton Australia Pty Ltd, 1 Moorebank Avenue, NSW, Australia, 2170.

El periodo de garantía comienza en la fecha de compra original del primer usuario minorista o comercial. "Uso del consumidor" significa uso doméstico residencial personal por un consumidor minorista. "Uso comercial" significa todos los demás usos, como el uso para fines comerciales, de producción de renta o de alquiler. Una vez que el motor haya sido utilizado para uso profesional, será considerado como motor de uso profesional con respecto a esta garantía.

Guarde su comprobante de compra. Si no aporta la prueba de la fecha de compra inicial en el momento de solicitar el servicio de garantía, se utilizará la fecha de fabricación del producto para determinar el periodo de garantía. No se requiere registrar el producto para obtener el servicio de garantía para los productos Briggs & Stratton.

Sobre su garantía

Esta garantía cubre únicamente motores con material y/o mano de obra defectuosos, y no reemplazará ni reembolsará el equipo en el que esté montado el motor. El mantenimiento rutinario, las puestas a punto, el ajuste o el desgaste normal no están cubiertos por esta

garantía. Del mismo modo, la garantía no es aplicable si el motor ha sido alterado o modificado o si el número de serie del motor ha sido borrado o eliminado. Esta garantía no cubre daños al motor o problemas de rendimiento provocados por:

1. El uso de repuestos no originales de Briggs & Stratton;
2. El funcionamiento del motor con aceite lubricante insuficiente, contaminado o del tipo incorrecto;
3. El uso de combustible contaminado o pasado, o gasolina formulada con más del 10 % de etanol, o el uso de combustibles alternativos como gas de petróleo licuado o gas natural en motores no diseñados o fabricados originalmente por Briggs & Stratton para operar con tales combustibles;
4. Suciedad en el motor acumulada por un mantenimiento o un montaje inadecuados del filtro de aire;
5. El impacto de un objeto contra la cuchilla de una cortadora de césped rotativa, un montaje flojo o incorrecto de adaptadores de la cuchilla, impulsores u otros dispositivos acoplados al cigüeñal, o un apriete excesivo de la correa en V;
6. Piezas o conjuntos asociados tales como embragues, transmisiones, mandos del equipo, etc., no suministrados por Briggs & Stratton;
7. El recalentamiento causado por los recortes de hierba, la suciedad o la presencia de nidos de roedores que taponan u obstruyen las aletas de refrigeración o la zona del volante, o por hacer funcionar el motor sin una ventilación suficiente;
8. Unas vibraciones excesivas debidas a un exceso de velocidad, a un montaje del motor flojo, cuchillas o impulsores desequilibrados o flojos, o el acoplamiento incorrecto de componentes del equipo al cigüeñal;
9. Un uso incorrecto, falta de mantenimiento rutinario, transporte, manipulación o almacenamiento del equipo, o un montaje incorrecto del motor.

El servicio bajo garantía está disponible únicamente en los concesionarios de servicio autorizados Briggs & Stratton. Localice su concesionario de servicio autorizado más cercano en nuestro mapa localizador en BRIGGSandSTRATTON.COM o llame al número 1-800-233-3723 (en EE. UU.).

80004537 (Rev. C)

Not for
Reproduction

Tämän käsikirjan sisältämien turvallisuutta koskevien tietojen tarkoituksena on kertoa moottoriin liittyvistä vaaroista ja riskeistä sekä siitä, miten niitä vältetään. Käsikirja sisältää myös ohjeet moottorin oikeaa käyttöä ja huoltoa varten. Koska Briggs & Stratton ei välttämättä tiedä, minkä laitteen voimanlähteenä tätä moottoria käytetään, on tärkeää, että luet ja ymmärrät sekä nämä ohjeet että sitä laitetta koskevat ohjeet, jota tällä moottorilla käytetään. **Säilytä nämä alkuperäiset ohjeet tulevaa tarvetta varten.**

Huomio: Tämän ohjekirjan kuvat ja kuvitus ovat ainoastaan viitteellisiä. Ne voivat poiketa omasta mallistasi. Ota yhteys paikalliseen jälleenmyyjäsi, jos sinulla on kysymyksiä.

Saadaksesi varaosia tai teknistä apua, kirjoita moottorin malli, tyyppi ja koodinumerot sekä ostopäivä tähän. Nämä numerot löytyvät moottorista (katso kohta **Toiminnot ja hallintalaitteet**).

Ostopäivä	
Moottorin malli - Tyyppi - Varustelutaso	
Moottorin sarjanumero	

Etsi 2D-viivakoodi, joka on kiinnitetty joihinkin moottoreihin. 2D-lukulaitteella luettu koodi johtaa verkkosivullemme, missä voit tutustua tämän tuotteen tukitietoihin. Palvelusta veloitetaan datasiirtomaksu. Tukitietoja ei välttämättä ole saatavilla kaikkien maiden verkkosivuilla.



Kierrätysinformaatio

		Kaikki pakkausmateriaalit, käytetty öljy ja akut tulee kierrättää yleisten kierrätysohjeiden mukaisesti.
--	--	--

Käyttäjän turvallisuus

Varoitusmerkki ja varoitussanat

Hälytysmerkkiä käytetään osoittamaan turvallisuustietoja, joiden noudattamatta jättäminen voi aiheuttaa loukkaantumisen. Huomiosanaa (VAARA, VAROITUS tai HUOMIO) käytetään varoitussymbolin kanssa osoittamaan loukkaantumisen todennäköisyyttä ja vakavuuden astetta. Varoitusmerkkiä voidaan lisäksi käyttää edustamaan vaaran tyyppiä.

VAARA tarkoittaa vaaraa, joka toteutuessaan johtaa kuolemaan tai vakavaan vammaan.

VAROITUS tarkoittaa vaaraa, joka toteutuessaan saattaa johtaa kuolemaan tai vakavaan vammaan.

HUOMIO tarkoittaa vaaraa, joka toteutuessaan saattaa aiheuttaa lievän tai kohtalaisen vamman.

HUOMAUTUS tarkoittaa tilannetta, jossa laite voi vahingoittua.

Varoitusmerkit ja niiden selitykset

Symboli	Merkitys	Symboli	Merkitys
	Turvallisuustietoja vaaroista, jotka voivat johtaa henkilövahinkoihin.		Lue ja ymmärrä Käyttäjän käsikirja ennen laitteen käyttöä tai huoltoa.
	Tulipalon vaara		Räjähdyksivaara

Symboli	Merkitys	Symboli	Merkitys
	Iskun vaara		Myrkyllisten kaasujen vaara
	Kuumien pintojen vaara		Meluvaara - kuulosuojainten käyttö suositeltavaa pitkäaikaisessa käytössä.
	Lentävän esineen vaara - käytä suojalaseja.		Räjähdyksivaara
	Paleltumavaara		Takapotkun vaara
	Amputaatiovaara - liikkuvia osia		Kemiallinen vaara
	Lämpövaara		Syövyttävä

Turvallisuusviestit



VAROITUS

Tietyt laitteen ja sen lisävarusteiden komponentit sisältävät kemikaaleja, jotka Kalifornian osavaltion tietojen mukaan aiheuttavat syöpää, synnynnäisiä vaurioita tai muita lisääntymiseen liittyviä ongelmia. Pese kädet aina niiden käsittelyn jälkeen.



VAROITUS

Moottorin pakokaasu sisältää kemikaaleja, jotka Kalifornian osavaltion tietojen mukaan aiheuttavat syöpää, synnynnäisiä vaurioita tai muita lisääntymiseen liittyviä ongelmia.



VAROITUS

Briggs & Stratton-moottoreita ei ole suunniteltu käytettäväksi eikä niitä saa käyttää kartingautojen, lasten, vapaa-ajan tai urheilukäyttöön tarkoitettujen mönkijöiden, moottoripyörien, ilmatyynyalusten tai ilmailuvälineiden voimanlähteenä tai ajoneuvoissa, joita käytetään kilpailuissa, joita Briggs & Stratton ei ole hyväksynyt. Saat lisätietoja kilpailutuotteistamme osoitteesta www.briggsracing.com. Halutessasi tietoja käytöstä hyötyajoneuvoissa ja mönkijöissä, ota yhteys osoitteella Briggs & Stratton Engine Application Center, 1-866-927-3349. Moottorin epäasianmukainen käyttö saattaa johtaa vakavaan vammautumiseen tai kuolemaan.



VAROITUS



Polttoaine ja polttoainehöyryt ovat erittäin tulenarkoja ja räjähdysherkkiä.

Tulipalo tai räjähdys voi aiheuttaa vakavia palovammoja tai kuoleman.

Kun lisää polttoainetta säiliöön

- Sammuta moottori ja anna sen jäähtyä vähintään 2 minuutin ajan, ennen kuin avaat bensisäiliön korkin.
- Täytä tankki ulkona tai hyvin ilmastoidussa tilassa.
- Älä ylitä polttoainesäiliötä. Jotta polttoaine pääsee laajenemaan, älä täytä polttoainesäiliön kaulan alareunaa korkeammalle.
- Suojaa polttoaine kipinöiltä, avotulelta, sytytysliekiltä, lämmöltä ja muilta sytytyslähteiltä.
- Tarkista polttoaineputket, säiliö, korkki ja liitokset murtumien ja vuotojen varalta. Vaihda tarvittaessa.
- Jos polttoainetta läikkyä koneelle, odota sen haihtumista, ennen kuin käynnistät moottorin.

Moottorin käynnisty

- Varmista, että sytytystulppa, äänenvaimennin, polttoainekorkki ja ilmanpuhdistin (mikäli sellainen on) ovat paikoillaan ja kiinnitettyinä.
- Älä pyöritä moottoria sytytystulppa irrotettuna.
- Jos moottori tulvii, aseta rikastin (mikäli sellainen on) OPEN/RUN-asentoon (auki/käynnissä), siirrä kaasua (mikäli sellainen on) FAST-asentoon (nopea) ja pyöritä moottoria, kunnes se käynnistyy.

Kun käytät laitetta

- Älä kallista moottoria siten, että polttoainetta pääsee vuotamaan.
- Älä sammuta moottoria käyttämällä kuristinta.
- Älä koskaan käynnistä tai käytä moottoria ilmansuodatinelementti (mikäli käytössä) tai ilmansuodatin (mikäli käytössä) poistettuna.

Kun vaihdat öljyä

- Poistaessasi öljyn täyttöputken kautta, on polttoainesäiliön oltava tyhjä. Muussa tapauksessa polttoaine voi aiheuttaa valuessaan tulipalon tai räjähdys.

Laitteen kallistaminen huoltoa varten

- Tehdessäsi huoltotoimenpiteitä, jotka vaativat laitteen kallistamista, polttoainesäiliön on oltava tyhjä; muuten polttoainetta saattaa vuotaa ulos jolloin tuloksena voi olla tulipalo tai räjähdys.

Kun kuljetat laitetta

- Kuljeta tuotetta polttoainesäiliö TYHJENNETTYNÄ tai polttoaineen sulkuventtiili KIINNI-asennossa.

Polttoaineen tai laitteen varastoiminen, kun tankissa on polttoainetta

- Älä varastoi lämmityskattilan, uunin, vedenlämmittimen tai muun kipinän aikaansaavan laitteen läheisyyteen, sillä ne voivat sytyttää polttoaineen höyrystyvät kaasut.



VAROITUS

Moottorin käynnistyksessä syntyy kipinöitä.

Kipinöinti voi sytyttää lähistöllä sijaitsevan palavan kaasun.

Tuloksena voi olla räjähdys ja tulipalo.

- Jos käyttöalueella on maa- tai nestekaasuvuoto, älä käynnistä moottoria.
- Älä käytä paineistettuja käynnistysapuneiteitä, koska niiden höyryt sytyvät herkästi.



VAROITUS

MYRKYLLISEN KAASUN VAARA. Moottorin pakokaasu sisältää hääkää, joka on myrkyllistä ja tappaa ihmisen muutamassa minuutissa. Hääkää EI näy, haise eikä tunnu. Vaikka et haistaisikaan pakokaasun hajua, voit altistua hääkälle. Jos sinua alkaa oksettaa, huimata, tai tunnet olosi heikoksi laitetta käyttäessäsi, hakeudu raittiiseen ilmaan VÄLITTÖMÄSTI. Hakeudu lääkärin hoitoon. Sinulla voi olla hääkämurkytys.

- Tätä laitetta saa käyttää VAIN ulkotiloissa, kaukana ikkunoista, ovista tai tuuletusaukoista. Näin vähennetään hiilimonoksidin kerääntymisen vaaraa ja sen mahdollista joutumista tiloihin, joissa oleskellaan.
- Asenna paristokäyttöiset hääkävaimentimet tai verkkokäyttöiset ja paristovarmenteiset hääkävaimentimet valmistajan ohjeiden mukaan. Savuhälyttimet eivät havaitse hääkää.
- Laitetta EI SAA käyttää kotona sisällä, autotallissa, kellarissa, ryömintätiloissa, vajoissa ja varastoissa tai muissa osittain suljetuissa tiloissa, vaikka niissä olisikin tuulettimia tai avoimia ovia ja ikkunoita ilmanvaihtoa varten. Hääkää saattaa kerääntyä tällaisiin tiloihin nopeasti ja säilyä siellä tuntikausia laitteen sammuttamisen jälkeenkin.
- Laitte tulee AINA asettaa siten, että se on tuulen alapuolella ja että pakoputki osoittaa pois päin tiloista, joissa oleskellaan.



VAROITUS

Väärästä käynnistystavasta johtuva takapotku vetää köyttä takaisin moottoriin päin nopeammin kuin ehdit laskea kahvasta irti.

Seurauksena voi olla luunmurtumia, mustelmia tai venähdyksiä.

- Oikea tapa käynnistää moottori ja välttää takapotku, on vetää köydestä hitaasti, kunnes vastus tuntuu, ja sitten vetää nopeasti.

- Kytke pois kaikki ylimääräinen moottorin tai laitteen kuormitus käynnistyksen ajaksi.
- Kaikki suoraan kytketyt komponentit, kuten esimerkiksi terät, tuulettimet, juoksupyörät, hihnapyörät, ketjupyörät, tms. tulee olla tiukasti kiinnitettyinä.



VAROITUS

Pyörivät osat voivat osua käsiin, jalkoihin, hiuksiin, vaatteisiin tai lisäasusteisiin tai kietoutua niihin.

Tästä voi seurata vakavia silpoutumia tai haavoittumista.

- Käytä laitetta aina kaikki suojukset paikallaan.
- Pidä kädet ja jalat pois pyörivistä osista.
- Sido pitkät hiukset ja riisu korut.
- Älä käytä liian väljiä vaatteita, varo sitomattomia, roikkuvia nauhoja tai muita helposti tarttuvaa vaatekappaleita.



VAROITUS

Moottorin käydessä syntyy lämpöä. Moottorin osat, erityisesti äänenvaimennin, tulevat erittäin kuumiksi.

Niihin koskettaminen voi aiheuttaa vakavia palovammoja.

Palavat jätteet, kuten lehdet, ruoho tai pensaat, voivat syttyä tuleen.

- Anna äänenvaimentimen, moottorin sylinterin ja ripojen jäähtyä ennen niihin koskemista.
- Poista kerääntyneet roskat äänenvaimentimen ja sylinterin läheltä.
- Kalifornian Luonnonvaralain 4442 §:n mukaan on kiellettyä käyttää tai ajaa laitetta metsä-, pensas- tai ruohopeitteisellä maalla tai sellaisen lähellä, ellei pakojärjestelmään ole asennettu 4442 §:n mukaista toimintakuntoista kipinäsuojaa. Muissa osavaltioissa tai liittovaltion alueella voi olla voimassa samanlaisia lakeja. Ota yhteys alkuperäisen laitteen valmistajaan, jälleenmyyjään tai vähittäiskauppiaseen saadaksesi tälle moottorille suunniteltuun pakokaasujärjestelmään sopivan kipinäsammuttimen.



VAROITUS

Tahaton kipinöinti voi sytyttää tulipalon tai aiheuttaa sähköiskun.

Tahaton käynnistyminen voi johtaa jäsenen tarttumiseen, irtoamiseen tai vakavaan vahingoittumiseen.

Tulipalon vaara

Ennen säätöjä tai korjauksia:

- Irrota sytytystulpan johto ja pidä se kaukana sytytystulpasta.
- Irrota akun kaapeli miinusnavasta (-) (vain sähkökäynnisteiset mallit).
- Käytä ainoastaan oikeita työkaluja.
- Älä peukaloi kierroslukurajoittimen joustaa, vivustoa tai muita osia lisätäkseen moottorin käyntinopeutta.
- Varaosien on oltava samanlaisia ja ne on asennettava samaan asentoon kuin alkuperäisetkin osat. Muut osat eivät välttämättä toimi yhtä tehokkaasti ja voivat vahingoittaa laitetta ja aiheuttaa loukkaantumisia.
- Älä lyö vauhtipyörää vasaralla tai kovalla esineellä, koska vauhtipyörä voi hajota pirstaleiksi myöhemmin käytön aikana.

Kun testaat toimivuutta:

- Käytä hyväksyttyä sytytystulpan testeriä.
- Älä tarkista kipinöintiä sytytystulpan ollessa irti.

Toiminnot ja hallintalaitteet

Moottorin hallintalaitteet










Vertaa kuvitusta (kuva: 1, 2, 3, 4) ja omaa moottoriaasi samanaikaisesti tutustuaksesi moottorin eri ominaisuuksiin ja säätimiin.

- Moottorin tunnustenumerot **Malli- Tyyppi- Koodi**
- Sytytystulppa
- Ilmanpuhdistin, sykloninen

- D. Ilmanpuhdistin, matala
- E. Mittatikka
- F. Öljyntäyttöaukko
- G. Öljysuodatin
- H. Öljynpoistoaukon tulppa
- I. Öljynpaineanturi
- J. Sormisuojaus
- K. Sähkökäynnistin
- L. Käynnistinsolenoidi
- M. Säädin/tasasuunnin
- N. Kaasutin - kaasutinmallit
- O. Öljynjäähdytin (mikäli käytössä)
- P. Äänenvaimennin (mikäli käytössä)
- Q. Polttoainepumppu
- R. Käynnistinvipu ¹
- S. Nopeudensäädin ¹
- T. Kuristimen säädin - kaasutinmallit ¹
- U. Polttoainesuodatin (mikäli käytössä)

¹ Joissakin moottoreissa tai laitteissa saattaa olla kauko-ohjaimia. Tarkista kauko-ohjainten sijainti ja toiminta laitteen käsikirjasta.

Moottorin hallintalaitteiden symbolit ja niiden selitykset

Symboli	Merkitys	Symboli	Merkitys
	Moottorin käyntinopeus - NOPEA		Moottorin käyntinopeus - HIDAS
	Moottorin käyntinopeus - SEIS		ON - OFF
	Moottorin käynnistys - rikastin KIINNI		Moottorin käynnistys - rikastin AUKI
	Polttoainesäiliön korkki Polttoaineen sulkuventtiili - AUKI		Polttoaineen sulkuventtiili - KIINNI
	Polttoaineen määrä - maksimi Älä ylitä		

Käyttö

Öljyä koskevat suositukset

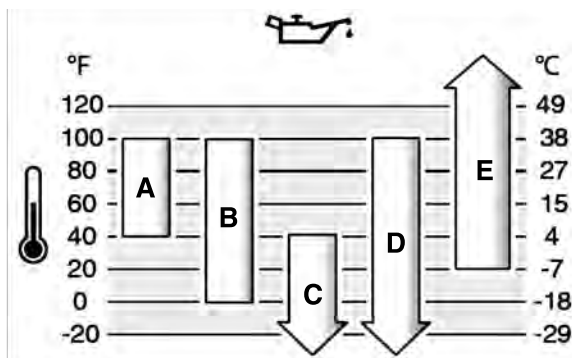
Öljytilavuus: Katso **Tekniset tiedot** -osio.

HUOMAA

Tämä moottori on lähetetty Briggs & Strattonin tehtaalta sisältämättä öljyä. Laittevalmistajat tai -myyjät ovat saattaneet lisätä moottoriin öljyä. Muista tarkistaa öljyn määrä ja lisää öljyä tämän ohjekirjan ohjeiden mukaan ennen kuin käynnistät moottorin ensi kertaa. Jos moottori käynnistetään ilman öljyä, se vaurioituu korjauskelvottomaksi, eikä takuu korvaa sitä.

Suosittellemme käyttämään Briggs & Stratton -takuun sertifioimia öljyjä parhaan suorituskyvyn takaamiseksi. Muita korkealaatuisia, puhdistavia öljyjä voidaan käyttää, jos ne täyttävät SF-, SG-, SH-, SJ- tai korkeammat luokitukset. Älä käytä erikoislisäaineita.

Ulkoilman lämpötila määrittää moottoriöljyn oikean viskositeetin. Hyödynnä taulukkoa valitaksesi parhaan viskositeetin odotetuille ulkoilmalämpötiloille. Useimpien ulkokäyttöön tarkoitettujen laitteiden moottorit toimivat hyvin synteettisellä 5W-30 -viskositeetin öljyllä. Korkeissa lämpötiloissa käytettäviin laitteisiin parhaan suojan tarjoaa synteettinen Vanguard™ 15W-50 -öljy.



A	SAE 30 - Alle 4 °C (40 °F) lämpötiloissa SAE 30 -viskositeetin öljyn käyttäminen johtaa huonoon käynnistyvyuteen.
B	10W-30 - Yli 27 °C (80 °F) lämpötilassa 10W-30 -viskositeetisen öljyn kulutus voi lisääntyä. Tarkista öljyn määrä tavallista useammin.
C	5W-30
D	Synteettinen 5W-30
E	Vanguard™ synteettinen 15W-50

Tarkasta öljytaso

Katso kuva: 5

Ennen öljyn lisäämistä tai tarkistamista

- Varmista, että moottori on vaakasuorassa.
- Puhdista öljyntäyttöaluelta kaikki roskat.

1. Poista mittatikka (A, kuva 5) ja pyyhi se puhtaalla kankaalla.
2. Asenna mittatikka (A, kuva 5) paikalleen.
3. Irrota mittatikka ja tarkasta öljytaso. Öljytaso on oikea, kun öljy ulottuu mittatikun täyttä tasoa osoittavan merkin yläosaan (B, kuva 5).
4. Jos öljytaso on alhainen, lisää öljyä hitaasti moottorin täyttöaukkoon (C, kuva 5). **Älä täytä liikaa.** Odota lisäyksen jälkeen minuutti ja tarkasta öljytaso uudelleen.
5. Asenna mittatikka (A, kuva 5) paikalleen.

Alhaisen öljymäärän ilmoitusjärjestelmä (mikäli sellainen on)

Joissakin moottoreissa on anturi, joka varoittaa alhaisesta öljymäärästä. Jos öljymäärä on alhainen, anturi aktivoi varoitusvalon tai sammuttaa moottorin. Sammuta moottori ja noudata oheisia ohjeita ennen kuin käynnistät moottorin uudelleen.

- Varmista, että moottori on vaakasuorassa.
- Tarkasta öljytaso. Katso kohta **Tarkasta öljytaso**.
- Jos öljytaso on alhainen, lisää sopiva määrä öljyä. Käynnistä moottori ja varmista, että varoitusvalo (mikäli sellainen on) ei pala.
- Jos öljytaso ei ole alhainen, älä käynnistä moottoria. Pyydä Briggs & Strattonin valtuutetulta vähittäismyymälältä lisätietoja öljyongelman ratkaisemiseksi.

Polttoainesuosituksukset

Polttoaineen on täytettävä seuraavat vaatimukset:

- Puhdas, tuore, lyijytön bensiini.
- Vähintään 87-oktaaninen / 87 AKI (91 RON). Korkean ilmanalan käyttö, katso alempana annettavat ohjeet.
- Enintään 10 % etanolia sisältävä bensiini hyväksytään polttoaineeksi.

HUOMAA Älä käytä bensiiniä, joka ei täytä näitä vaatimuksia, esim. E15 tai E85. Älä sekoita öljyä bensiiniin äläkä muuta moottoria muille polttoaineille. Muiden kuin suositusten mukaisten polttoaineiden käyttö vahingoittaa moottorin osia eikä takuu korvaa vahinkoja.

Suojaa polttoainejärjestelmä sakan muodostumiselta sekoittamalla polttoaineeseen stabilointiainetta. Katso **Varastointi**. Kaikki polttoaineet eivät ole samanlaisia. Vaihda

polttoaineen toimittajaa tai merkkiä, jos moottorin käynnistyksessä tai suorituskyvyssä on ongelmia. Tämä moottori on hyväksytty toimimaan bensiinillä. Tämän moottorin pakokaasupäästöjen rajoitusjärjestelmä on EM (Moottorin modifikaatio).

Korkea ilmanala

Yli 1 524 metrin (5 000 jalan) korkeudessa on käytettävä vähintään 85-oktaanista/85 AKI (89 RON) polttoainetta.

Kaasutinmoottoreille on suoritettava korkean ilmanalan säätö suorituskyvyn ylläpitämiseksi. Käyttö ilman korkean ilmanalan säätöä heikentää suorituskykyä, lisää polttoaineen kulutusta sekä päästöjä. Saat Briggs & Strattonin valtuutetulta vähittäismyyjältä lisätietoja korkean paikan säädöistä. Korkean paikan sarjaa ei suositella käytettäväksi, mikäli moottoria käytetään alle 762 metrin (2 500 jalan) korkeudessa.

Elektronisella polttoaineen ruiskutusjärjestelmällä (EFI) varustetuille moottoreille ei tarvitse suorittaa korkean ilmanalan säätöä.

Polttoaineen lisääminen

Katso kuva: 6



Polttoaine ja polttoainehöyryt syttyvät erittäin herkästi ja ovat räjähdysherkkiä.

Tulipalot ja räjähdys saattaa aiheuttaa vakavia palovammoja tai kuoleman.

Kun lisää polttoainetta säiliöön

- Sammuta moottori ja anna sen jäähtyä vähintään 2 minuutin ajan, ennen kuin avaat bensiinisäiliön korkin.
- Täytä tankki ulkona tai hyvin ilmastoidussa tilassa.
- Älä ylitä polttoainesäiliötä. Jotta polttoaine pääsee laajenemaan, älä täytä polttoainesäiliön kaulan alareunaa korkeammalle.
- Suojaa polttoaine kipinöiltä, avotulelta, sytytysliekiltä, lämmöltä ja muilta sytytyslähteilä.
- Tarkista polttoaineputket, säiliö, korkki ja liitokset murtumien ja vuotojen varalta. Vaihda tarvittaessa.
- Jos polttoainetta läikkyä koneelle, odota sen haihtumista, ennen kuin käynnistät moottorin.

1. Puhdista lika ja roskat polttoainesäiliön korkin ympäriltä. Irrota polttoainesäiliön korkki.
2. Täytä polttoainesäiliö (A, kuva 6) polttoaineella. Jotta polttoaine pääsee laajenemaan, älä täytä polttoainesäiliön kaulan alareunaa korkeammalle (B).
3. Kierrä korkki takaisin paikalleen.

Moottorin käynnistäminen ja sammuttaminen

Katso kuva: 7

Moottorin käynnistyminen



Polttoaine ja polttoainehöyryt syttyvät erittäin herkästi ja ovat räjähdysherkkiä.

Tulipalot ja räjähdys saattavat aiheuttaa vakavia palovammoja tai kuoleman.

Kun käynnistät moottoria

- Varmista, että sytytystulppa, äänenvaimennin, polttoainekorkki ja ilmanpuhdistin (mikäli käytössä) ovat paikoillaan ja kiinnitettyinä.
- Älä pyöritä moottoria sytytystulppa irrotettuna.
- Jos moottori tulvi, aseta rikastin (mikäli käytössä) OPEN/RUN-asentoon, siirrä kaasun (mikäli käytössä) FAST-asentoon ja pyöritä moottoria, kunnes se käynnistyy.



MYRKYLLISEN KAASUN VAARA. Moottorin pakokaasut sisältävät hiilimonoksidia, myrkyllistä kaasua, joka voi tappaa muutamassa minuutissa. Sitä EI VOI nähdä, haistaa tai maistaa. Vaikka et tuntisikaan pakokaasun hajua, voit silti altistua hiilimonoksidikaasulle. Jos tunnet olosi huonovointiseksi tai sinua huimaa tai heikottaa käyttäessäsi tätä laitetta, sammuta se välittömästi ja hakeudu VÄLITTÖMÄSTI raikkaaseen ulkoilmaan. Hakeudu lääkärin hoitoon. Olet ehkä saanut hiilidioksidimyrkytyksen.

- Käytä tätä laitetta VAIN ulkotiloissa, kaukana ikkunoista, ovista tai tuuletusaukoista vähentääksesi hiilidioksidin kerääntymisen vaaraa ja mahdollista joutumista tiloihin, joissa oleskellaan.
- Asenna paristokäyttöiset häikärväoittimet tai verkkokäyttöiset ja paristovarmenteiset häikärväoittimet valmistajan ohjeiden mukaan. Savuhälyttimet eivät havaitse häkää.
- ÄLÄ käytä tuotetta kotona sisällä, autotallissa, kellarissa, ryömintätiloissa, vajoissa tai muissa osittain suljetuissa tiloissa, vaikka niissä olisi tuulettimia tai avoimia ovia ja ikkunoita ilmanvaihtoa varten. Häkä voi kerääntyä tällaisiin tiloihin nopeasti ja säilyä siellä tuntikausia tuotteen sammutuksen jälkeenkin.
- Aseta laite AINA siten, että se on tuulen alapuolella ja että pakoputki osoittaa pois päin tiloista, joissa oleskellaan.

HUOMAA Kun tämä moottori lähtee Briggs & Strattonin tehtaalta, siinä ei ole öljyä. Varmista ennen moottorin käynnistämistä, että lisäät öljyä tämän ohjekirjan ohjeiden mukaan. Jos käynnistät moottorin ilman öljyä, se vahingoittuu, eikä sitä voi enää korjata. Takuu ei korvaa sitä.

Käynnistysjärjestelmän selvittäminen

Ennen kuin käynnistät moottorin, sinun tulee ottaa selvää, millainen käynnistysjärjestelmä moottorissa on. Moottorissa on jompi kumpi seuraavista järjestelmistä.

- **Elektroninen polttoaineenruiskutusjärjestelmä (EFI):** Tässä on elektroninen polttoaineenruiskutus. Siinä ei ole manuaalista rikastinta.
- **Primerpumpujärjestelmä:** Sisältää kuristimen, jota käytetään käynnistettäessä moottoria kylmässä lämpötilassa. Joissakin malleissa on erillinen kuristimen säädin kun taas toisissa yhdistetty rikastin ja kaasusäädin. Tässä mallissa ei ole primerpumpua.

Huomio: Laitteessa saattaa olla kauko-ohjaimia. Tarkista kauko-ohjainten sijainti ja toiminta laitteen käsikirjasta.

Elektroninen polttoaineenruiskutusjärjestelmä (EFI)

1. Tarkasta moottoriöljy. Katso kohta **Öljytason tarkastaminen**.
2. Varmista, että laitteen voimansiirron säätölaitteet, mikäli käytössä, ovat vapaalla.
3. Siirrä polttoaineen sulkuventtiili (A, kuva 7), mikäli käytössä, OPEN-asentoon.
4. Siirrä kaasuvipu (B, kuva 7), mikäli käytössä, FAST-asentoon. Käytä moottoria FAST-asennossa.
5. Työnnä pysäytyskytkin (A, kuva 7), mikäli käytössä, ON-asentoon.
6. Käännä sähkökäynnistimen kytkin (E, kuva 7) ON- tai START-asentoon.

HUOMAA Voit pidentää käynnistimen käyttöikää käynnistämällä moottoria vain lyhyitä jaksoja (korkeintaan viisi sekuntia kerralla). Pidä minuutin tauko käynnistysyritysten välillä.

Huomio: Mikäli moottori ei käynnisty useamman yrityksen jälkeen, ota yhteys paikalliseen jälleenmyyjään tai katso ohjeet sivulta **VanguardEngines.com** tai soita numeroon **1-800-999-9333** (Yhdysvalloissa).

Kuristinjärjestelmä

1. Tarkasta moottoriöljy. Katso kohta **Öljytason tarkastaminen**.
2. Varmista, että laitteen voimansiirron säätölaitteet, mikäli käytössä, ovat vapaalla.
3. Siirrä polttoaineen sulkuventtiili (A, kuva 7), mikäli käytössä, OPEN-asentoon.
4. Siirrä kaasuvipu (B, kuva 7), mikäli käytössä, FAST-asentoon. Käytä moottoria FAST-asennossa.
5. Siirrä rikastimen ohjausvipu (C, kuva 7) tai rikastimen/kaasun yhdistelmävipu CLOSED-asentoon.

Huomio: Kun käynnistetään moottoria, jonka polttoainejärjestelmä on kuiva (käynnistys ensimmäisen kerran tai polttoaineen loppumisen jälkeen), tarvitaan pitempi käynnistysaika rikastusasennossa. Näin polttoainepumpulla on aikaa ryyppytää polttoainejärjestelmä.

6. Työnnä pysäytyskytkin (A, kuva 7), mikäli käytössä, ON-asentoon.
7. Käännä virta-avain (E, kuva 7) ON- tai START-asentoon.
8. Jos kone käynnistyy muttei jatka käymistä, käynnistä moottori siirtämällä rikastimen ohjausvipu (C, kuva 7) OPEN-asentoon.

HUOMAA Voit pidentää käynnistimen käyttöikää käynnistämällä moottoria vain lyhyitä jaksoja (korkeintaan viisi sekuntia kerralla). Pidä minuutin tauko käynnistysyritysten välillä.

9. Kun moottori on lämmennyt, siirrä rikastimen ohjausvipu (C, kuva 7) OPEN-asentoon.

Huomio: Mikäli moottori ei käynnisty useamman yrityksen jälkeen, ota yhteys paikalliseen jälleenmyyjään tai katso ohjeet sivulta VanguardEngines.com tai soita numeroon 1-800-999-9333 (Yhdysvalloissa).

Sammuta moottori



VAROITUS

Polttoaine ja polttoainehöyryt syttyvät erittäin herkästi ja ovat räjähdysherkkiä.

Tulipalot ja räjähdys saattavat aiheuttaa vakavia palovammoja tai kuoleman.

- Älä sammuta moottoria käyttämällä kuristinta.
1. **Sammutuskatkaisin, mikäli käytössä:** Työnnä sammutuskatkaisin (D, kuva 7) OFF-asentoon.
Virta-avain, mikäli käytössä: Kun kaasuvipu on SLOW-asennossa, käännä virta-avain (E, kuva 7) OFF-asentoon. Irrota avain ja pidä se turvallisuudessa paikassa poissa lasten ulottuvilta.
 2. Kun moottori on sammunut, työnnä polttoaineen sulkuventtiili (A, kuva 7), mikäli käytössä, CLOSED-asentoon.

Huolto

HUOMAA Jos moottori kallistetaan huollon ajaksi, moottoriin kiinnitetyn polttoainesäiliön on oltava tyhjä ja sytytystulpan puolen on oltava ylöspäin. Jollei polttoainesäiliö ole tyhjä ja moottoria kallistetaan muuhun suuntaan, käynnistys voi vaikeutua, koska öljy tai bensiini voi liata ilmanpuhdistimen ja/tai sytytystulpan.



VAROITUS

Tehdessäsi huoltotoimenpiteitä, jotka vaativat laitteen kallistamista, polttoainesäiliön on oltava tyhjä tai polttoainetta saattaa vuotaa ulos jolloin tuloksena voi olla tulipalo tai räjähdys.

Suosittellemme, että otat yhteyttä mihin tahansa valtuutettuun Briggs & Stratton -huoltoliikkeeseen kaikissa moottoreiden huolto- ja korjausta ja moottoreiden varaosia koskevilla kysymyksissä.

HUOMAA Kaikkien tämän moottorin valmistuksessa käytettyjen osien on oltava paikoillaan, jotta moottori toimisi kunnolla.



VAROITUS

Hallitsematon kipinäointi voi aiheuttaa tulipalon tai sähköiskun.

Tahaton käynnistyminen voi johtaa takertumiseen, traumaattiseen amputaatioon tai haavautumiseen.

Tulipalon vaara

Ennen säätö- tai korjaustoimenpiteitä:

- Irrota sytytystulpan johto ja pidä se kaukana sytytystulpasta.
- Irrota akun negatiivinen kaapeli (vain sähkökäynnistimellä varustetut moottorit).
- Käytä ainoastaan oikeita työkaluja.
- Älä koske keskipakosäätimen jouseen, niveliin tai muihin osiin moottorin nopeuden lisäämiseksi.
- Varaosien on oltava samanlaisia ja ne on asennettava samaan asentoon kuin alkuperäisetkin osat. Muut osat eivät välttämättä toimi yhtä tehokkaasti ja voivat vahingoittaa laitetta ja aiheuttaa loukkaantumisia.
- Älä lyö vauhtipyörää vasaralla tai kovalla esineellä, koska vauhtipyörä voi hajota pirstaleiksi myöhemmin käytön aikana.

Sytytyskipinän testaaminen:

- Käytä hyväksyttyä sytytystulpan testeriä.
- Älä tarkista kipinäointiä sytytystulpan ollessa irti.

Päästöjenrajoitusjärjestelmän huolto

Päästöjenrajoitusjärjestelmän laitteiden ja osien huollon, vaihdon tai korjauksen voi suorittaa mikä tahansa työkonemoottoreiden korjausliike tai yksityinen korjaaja. Pakokaasupäästöjen tarkastus on kuitenkin ilmainen vain, jos työn suorittaa tehtaasta valtuuttama jälleenmyyjä. Katso päästöjen rajoitusta koskevat lauseimat.

Huoltoaikataulu

8 tunnin välein tai päivittäin
<ul style="list-style-type: none">• Tarkista moottorin öljytaso• Puhdista äänenvaimentimen ja säätimien ympäristö
Joka 100. tunti tai vuosittain
<ul style="list-style-type: none">• Vaihda sytytystulppa• Vaihda moottoriöljy• Vaihda öljynsuodatin (mikäli käytössä)• Huolla ilmansuodatin ^{1, 2}• Puhdista esipuhdistin (mikäli käytössä) ¹• Pakojärjestelmän huolto
250 käyttötunnin jälkeen
<ul style="list-style-type: none">• Tarkista venttiilivällys. Säädä tarvittaessa.
Joka 400. tunti tai vuosittain
<ul style="list-style-type: none">• Vaihda ilmansuodatin ²• Vaihda polttoaineensuodatin• Huolla jäähdytysjärjestelmä ¹• Puhdista öljynjäähdytin lamellit ¹
Joka 600. tunti tai vuosittain
<ul style="list-style-type: none">• Vaihda turvasuodatin (mikäli käytössä)

¹ Puhdista useammin pölyisissä tai roskaisissa olosuhteissa.

² Vaihda joka kolmannen ilmansuodattimen vaihdon yhteydessä sisällä oleva turvasuodatin (mikäli sellainen on).

Elektroninen polttoaineenruiskutusjärjestelmä (EFI)

EFI-järjestelmä valvoo moottorin lämpötilaa, moottorin käyntinopeutta ja akkujännitettä moottorin käynnistyksen ja lämpenemisen aikana. Järjestelmää ei voida säätää. Jos käynnistyksessä tai toiminnassa ilmenee ongelmia, ota yhteys valtuutettuun Briggs & Stratton -huoltoliikkeeseen.

HUOMAA Varmista, että noudatat seuraavia ohjeita, jotta EFI-järjestelmä ei vaurioitu.

- Älä koskaan käynnistä moottoria, jos akun kaapelit ovat löysällä.
- Käännä avain OFF-asentoon ennen akun kytkemistä irti, irrottamista ja asennusta.
- Älä koskaan käytä akkulaturia moottorin käynnistämiseen.
- Älä koskaan irrota akun kaapeleita, kun moottori on käynnissä.
- Kun kytket akun kaapeleita, kytke akkuun ensin pluskaapeli (+) ja sitten miinuskaapeli (-).
- Kun lataat akkua, käännä virtalukko OFF- asentoon ja kytke miinuskaapeli (-) irti akusta.
- Älä suihkuta vettä suoraan elektroniselle ohjausyksikölle.

Kaasutin ja moottorin käyntinopeus

Älä koskaan tee säätöjä kaasuttimeen tai moottorin kierroslukuihin. Kaasutin on säädetty tehtaalla toimimaan tehokkaasti yleisimmässä olosuhteissa. Älä peukaloi kierroslukurajoittimen jousta, vivustoa tai muita osia muuttaaksesi moottorin käyntinopeutta. Jos moottoriin on tehtävä mitä tahansa säätöjä, ota yhteys valtuutettuun Briggs & Stratton -huoltoliikkeeseen.

HUOMAA Laittevalmistaja määrittää laitteeseen asennetun moottorin enimmäiskäyntinopeuden. Älä ylitä tätä nopeutta. Jos et tiedä varmasti moottorin enimmäiskäyntinopeutta tai tehdasasetteista käyntinopeutta, ota yhteys valtuutettuun Briggs & Stratton -huoltoliikkeeseen. Laitteen turvallisen ja oikean toiminnan varmistamiseksi moottorin käyntinopeuden saa säätää ainoastaan valtuutettu huoltoteknikko.

Huolla sytytystulpat

Katso kuva . 8

Tarkista rako (A, kuva 8) lankatulkillilla (B). Säädä rako tarvittaessa uudelleen. Asenna ja kiristä sytytystulppa suositeltuun momenttiin. Katso rakoa ja kiristysmomenttia koskevat tiedot kohdasta **Tekniset tiedot**.

Huomio: Eräissä maissa laki vaatii vastussytytystulppien käyttämistä sytytyksestä aiheutuvien häiriöiden vaimentamiseksi. Jos moottorissa on alun perin vastussytytystulppa, käytä samantyyppistä tulppaa myös jatkossa.

Pakokaasujärjestelmän huoltaminen



VAROITUS

Moottorin käydessä syntyy lämpöä. Moottorin osat, erityisesti vaimennin, tulevat erittäin kuumiksi.

Osien koskettaminen saattaa aiheuttaa vakavia palovammoja.

Syttyvät roskat, kuten lehdet, ruoho, jne. saattavat syttyä palamaan.

- Anna vaimentimen, moottorin sylinterin ja jäähdytysripien jäähtyä ennen niihin koskemista.
- Poista kerääntyneet roskat vaimentimen ja sylinterin läheltä.
- Kalifornian luonnonvaralain 4442 §:n mukaan on kiellettyä käyttää tai ajaa laitetta metsä-, pensas- tai ruohopeitteisellä maalla tai sellaisen lähellä, ellei pakojärjestelmään ole asennettu 4442 §:n mukaista toimintakuntoista kipinäsuojaa. Muissa osavaltioissa tai eri liittovaltioiden alueilla voi olla voimassa samanlaisia lakeja. Ota yhteys alkuperäisen laitteen valmistajaan, jälleenmyyjään tai vähittäiskauppiaseen saadaksesi tälle moottorille suunniteltuun pakokaasujärjestelmään sopivan kipinänsammuttimen.

Poista kerääntyneet roskat vaimentimen ja sylinterin läheltä. Tarkasta äänenvaimentimen halkeamat, syöpymsiset tai muut vauriot. Poista kipinäsuojus, jos varusteena, ja tarkasta vaurioiden tai hiilitukoksen varalta. Jos vaurioita löytyy, asenna varaosat ennen käyttöä.



VAROITUS

Varaosien on oltava samanlaisia ja ne on asennettava samaan asentoon kuin alkuperäisetkin osat. Muut osat eivät välttämättä toimi yhtä tehokkaasti ja voivat vahingoittaa laitetta ja aiheuttaa loukkaantumisia.

Vaihda moottoriöljy

Katso kuva: 9, 10, 11

Käytetty öljy on ongelmajätettä, ja se on toimitettava käsiteltäväksi asianmukaisesti. Älä hävitä sitä talousjätteen joukossa. Tarkista paikallisilta jätehuoltoviranomaisilta, huollosta tai jälleenmyyjältä, miten öljy voidaan hävittää/kierrättää turvallisesti.

Öljyn poistaminen

1. Sammuta moottori. Kun moottori on vielä lämmin, irrota sytytystulpan johto (D, kuva 9) ja vie se pois sytytystulpan (E) luota.
2. Poista mittatikku (A, kuva 10).
3. Irrota öljynpoistoaukon tulppa (F, kuva 11). Valuta öljy hyväksytyyn säiliöön.
4. Kun öljysäiliö on tyhjentynyt, asenna öljyntäyttöaukon tulppa (F, kuva 11) paikalleen ja kiristä tiukalle.

Vaihda öljynsuodatin, mikäli käytössä

Joissakin moottoreissa on öljysuodatin. Katso vaihtoväli **Huoltokaaviosta**.

1. Tyhjennä öljy moottorista. Katso luku **Öljyn poisto**.
2. Irrota öljysuodatin (G, kuva 11) ja hävitä se oikein.
3. Ennen kuin asennat uuden öljynsuodattimen, voitele öljynsuodattimen tiiviste kevyesti tuoreella öljyllä.
4. Kiristä öljynsuodatin käsin, kunnes tiiviste ottaa kiinni sovitteeseen, kiristä suodatinta sitten vielä 1/2 - 3/4 kierrosta.
5. Öljyn lisääminen Katso luku **Öljyn lisääminen**.
6. Käynnistä moottori ja pidä se käynnissä. Tarkista, esiintyykö öljyvuotoja, kun moottori lämpenee.
7. Sammuta moottori ja tarkasta öljytaso. Öljytaso on oikea, kun öljy ulottuu mittatikun täyttä tasoa osoittavan merkin yläosaan (B, kuva 10).

Öljyn lisääminen

- Varmista, että moottori on vaakasuorassa.
 - Puhdista öljyntäyttöalueelta kaikki roskat.
 - Katso öljytilavuus luvusta **Tekniset tiedot**.
1. Poista mittatikku (A, kuva 10) ja pyyhi se puhtaalla kankaalla.

2. Valuta öljyä hitaasti moottorin täyttöaukkoon (C, kuva 10). **Älä täytä liikaa.** Odota lisäyksen jälkeen minuutti ja tarkasta öljytaso uudelleen.
3. Asenna ja kiristä mittatikku (A, kuva 10).
4. Irrota mittatikku ja tarkasta öljytaso. Öljytaso on oikea, kun öljy ulottuu mittatikun täyttä tasoa osoittavan merkin yläosaan (B, kuva 10).
5. Asenna ja kiristä mittatikku uudelleen (A, kuva 10).
6. Kytke sytytystulpan johto/johdot (D, kuva 9) sytytystulppaan/-tulppiin (E).

Huolla ilmanpuhdistin

Katso kuva: 12, 13



VAROITUS

Polttoaine ja polttoainehöyryt syttyvät erittäin herkästi ja ovat räjähdysherkkiä.

Tulipalot ja räjähdys saattavat aiheuttaa vakavia palovammoja tai kuoleman.

- Älä koskaan käynnistä tai käytä moottoria, jos ilmanpuhdistin (mikäli käytössä) tai ilmansuodatin (mikäli käytössä) on irrotettu.

HUOMAA Älä käytä suodattimen puhdistamiseen paineilmaa äläkä liuottimia. Paineilma voi vahingoittaa suodatinta ja liuottimet sulattavat sen.

Katso huoltovaatimukset **huoltokaaviosta**.

Eri malleissa on joko vaahtomuovinen tai paperinen suodatin. Joissakin malleissa on lisäksi esipuhdistin, joka voidaan pestä ja käyttää uudelleen. Vertaa tämän käyttöoppaan kuvitusta omaan koneeseesi asennettuun malliin ja huolla se seuraavalla tavalla.

Paperinen ilmansuodatin

1. Avaa kiinnitin/kiinnittimet (A, kuva 12) ja irrota kansi (B).
2. Irrota ilmansuodatin (C, kuva 12).
3. Irrota roskat napauttamalla ilmansuodatinta varovasti kovaa pintaa vasten. Vaihda erityisen likainen suodatin uuteen.
4. Jos järjestelmässä on turvasuodatin (D, kuva 12), se irrotetaan vetämällä se varovasti pois ilmansuodattimen rungosta (E). Varmista, että moottoriin ei pääse epäpuhtauksia.
5. Asenna uusi turvasuodatin (D, kuva 12) ilmansuodattimen runkoon (E).
6. Asenna ilmansuodatin (C, kuva 12) turvasuodattimen (D) yli.
7. Asenna kansi (B, kuva 12) ja kiinnitä kiinnittimillä. (A).

Paperinen ilmansuodatin

1. Irrota kiinnikkeet (A, kuva 13).
2. Irrota kansi (B, kuva 13).
3. Irrota kiinnikkeet (C, kuva 13) ja kiinnitin (D).
4. Irrota ilmansuodatin (E, kuva 13).
5. Irrota esipuhdistin (F, kuva 13), mikäli käytössä, ilmansuodattimesta (E).
6. Irrota roskat napauttamalla varovasti ilmansuodatinta (E, kuva 13) kovaa pintaa vasten. Vaihda erityisen likainen suodatin uuteen.
7. Pese esipuhdistin (F, kuva 13), mikäli käytössä, nestemäisellä pesuaineella ja vedellä. Anna esipuhdistimen kuivua perusteellisesti. **Älä** öljyä esipuhdistinta.
8. Kokoa kuiva esipuhdistin (F, kuva 13), mikäli käytössä, ilmansuodattimeen (E).
9. Asenna ilmansuodatin (E, kuva 13) ja kiinnitä se kiinnittimellä (D) ja kiinnikkeillä (C).
10. Asenna kansi (B, kuva 13) paikalleen ja kiinnitä kiinnittimillä. (A). Varmista, että kiinnittimet ovat tiukalla.

Polttoainejärjestelmän huolto

Katso kuva: 14



VAROITUS

Polttoaine ja polttoainehöyryt ovat erittäin tulenarkoja ja räjähdysherkkiä.

Tulipalo tai räjähdys voi aiheuttaa vakavia palovammoja tai kuoleman.

- Suojaa polttoaine kipinöiltä, avotulelta, sytytysliekiltä, lämmöltä ja muilta sytytyslähteiltä.
- Tarkista polttoaineputket, säiliö, korkki ja liitokset murtumien ja vuotojen varalta. Vaihda tarvittaessa.

- Ennen polttoainesuodattimen puhdistamista tai vaihtamista, tyhjennä polttoainesäiliö tai sulje polttoaineen sulkuventtiili.
- Jos polttoainetta läikkyy koneelle, odota sen haihtumista, ennen kuin käynnistät moottorin.
- Varaosien tulee olla oikean tyyppisiä ja ne on asennettava samaan asentoon kuin alkuperäisosat.

Polttoainesuodatin, mikäli käytössä

1. Ennen polttoainesuodattimen vaihtamista (A, kuva 14), mikäli sellainen on, tyhjennä polttoainesäiliö tai sulje polttoaineen sulkuventtiili. Muussa tapauksessa polttoainetta saattaa vuotaa ulos ja aiheuttaa tulipalon tai räjähdysriskin.
2. Käytä pihtejä puristaaksesi kielekkeitä (B, kuva 14) jotka ovat kiristimissä (C), ja liu'uta sitten kiristimet pois polttoainesuodattimelta (A). Käännä ja vedä polttoaineletkut (D) irti polttoainesuodattimesta.
3. Tarkista polttoaineletkut (D, kuva 14) halkeamien ja vuotojen varalta. Vaihda tarvittaessa.
4. Vaihda polttoainesuodatin (A, kuva 14) uuteen alkuperäissuodattimeen.
5. Varmista polttoaineletkut (D, kuva 14) kiristimillä (C) kuvatusti.

Jäähdytysjärjestelmän huoltaminen

Katso kuva: 15, 16



VAROITUS

Käyvä moottori tuottaa lämpöä. Moottorin osat, erityisesti äänenvaimennin, tulevat erittäin kuumiksi.

Osien koskettaminen saattaa aiheuttaa vakavia palovammoja.

Syttyvät roskat, kuten lehdet, ruoho, jne. saattavat syttyä palamaan.

- Anna äänenvaimentimen, moottorin sylinterin sekä jäähdytysripien jäähtyä ennen niihin koskemista.
- Poista kerääntyneet roskat äänenvaimentimen ja sylinterin läheltä.

HUOMAA Älä puhdistaa moottoria vedellä. Vesi saattaa tunkeutua polttoainejärjestelmään. Puhdistaa moottori harjalla tai kuivalla kankaalla.

Tämä on ilmajäähdytteinen moottori. Lika ja roskat voivat estää ilman virtauksen ja aiheuttaa moottorin ylikuumenemisen, mikä heikentää moottorin tehoa ja lyhentää sen käyttöikää.

1. Poista ilmanottoaukkoon (A, kuva 15) kerääntyneet roskat harjalla tai kuivalla kankaalla.
2. Pidä vivusto, jouset ja säätimet (B, kuva 15, 16) puhtaina.
3. Pidä äänenvaimentimen (C, kuva 15, 16) ympärillä ja takana olevat alueet puhtaina tulenaroista roskista.
4. Varmista, ettei öljynjäähdyttimen lamelleissa (D, kuva 15) ole likaa tai roskia.
5. Löysää kiinnikettä/kiinnikkeitä (E, kuva 16), kunnes kuulet naksahduksen. Irrota paneeli (F) ja puhdistaa alue liasta ja roskista. Varmista, että myös paneelin alapuoli on puhdas.
6. Asenna paneeli (F, kuva 16) ja kiinnitä kiinnikkeellä/kiinnikkeillä (E). Löysää kiinnikettä/kiinnikkeitä, kunnes kuulet naksahduksen.

Ajan mittaan likaa saattaa kertyä sylinterin jäähdytysripiin ja aiheuttaa moottorin ylikuumenemisen. Tätä likaa ei voi poistaa ilman moottorin osittaista purkamista. Pyydy valtuutettua Briggs & Stratton -huoltoilijää tarkastamaan ja puhdistamaan ilmajäähdytysjärjestelmä noudattaen ohjeita, jotka esitetään kohdassa **Kunnossapidon aikataulu**.

Varastointi



VAROITUS

Polttoaine ja polttoainehöyryt ovat erittäin tulenarkoja ja räjähdysherkkiä.

Tulipalo tai räjähdys voi aiheuttaa vakavia palovammoja tai kuoleman.

Polttoaineen tai laitteen varastoiminen, kun tankissa on polttoainetta

- Älä varastoi lämmityskattilan, uunin, vedenlämmittimen tai muun kipinän aikaansaavan laitteen läheisyyteen, sillä ne voivat sytyttää polttoaineen höyrystyvät kaasut.

Polttoainejärjestelmä

Katso kuva: 17

Varastoi moottori vaakasossa (normaalissa käyttöasennossa). Täytä polttoainesäiliö (A, kuva 17) polttoaineella. Älä täytä polttoainesäiliötä yli sen kaulan (B), jotta polttoaineen laajenemiselle jää tilaa.

Polttoaine voi vanhentua, jos sitä säilytetään yli 30 päivää. Vanhentunut polttoaine saattaa aiheuttaa happo- ja hartsimuodostumisen syntyminen polttoainejärjestelmään tai tärkeisiin kaasuttimen osiin. Polttoaineen säilyvyyden vuoksi käytä **Briggs & Stratton Advanced Formula Fuel Treatment & Stabilizer -polttoaineen lisäainetta**, jota on saatavilla myyntipisteistä, joissa on tarjolla Briggs & Stratton -alkuperäisvaraosia.

Polttoainetta ei tarvitse tyhjentää moottorista, jos polttoaineen stabilointiainetta lisätään ohjeiden mukaisesti. Käytä moottoria kahden (2) minuutin ajan, jotta stabilointiaine kulkeutuu kaikkialle polttoainejärjestelmään ennen varastointia.

Jos polttoainetta ei ole käsitelty stabilointiaineella, se on tyhjennettävä sopivaan astiaan. Anna moottorin käydä, kunnes se pysähtyy polttoaineen loppumisen vuoksi. On suositeltavaa lisätä polttoaineen lisäainetta varastointiaikaa, jotta polttoaine säilyy tuoreena.

Moottoriöljy

Vaihda moottoriöljy kun moottori on vielä lämmin. Katso kohta **Vaihda moottoriöljy**.

Vianmääritys

Ota yhteyttä paikalliseen jälleenmyyjään tai katso ohjeet sivulta **VanguardEngines.com** tai soita numeroon **1-800-999-9333** (Yhdysvalloissa).

Tekniset tiedot

Malli: 540000	
Iskutilavuus	54.68 ci (896 cc)
Sylinterin halkaisija	3.366 in (85,5 mm)
Iskun pituus	3.071 in (78,0 mm)
Öljytilavuus	78 - 80 oz (2,3 - 2,4 L)
Tulpan kärkiväli	.030 in (.76 mm)
Sytytystulpan kiristysarvo	180 lb-in (20 Nm)
Sytytyspuolan ilmaväli	.005 - .008 in (.13 - .20 mm)
Imuventtiilin välily	.004 - .006 in (.10 - .15 mm)
Pakovenntiilin välily	.007 - .009 in (.18 - .23 mm)

Malli: 610000, 61E100	
Iskutilavuus	60.60 ci (993 cc)
Sylinterin halkaisija	3.366 in (85,5 mm)
Iskun pituus	3.406 in (86,5 mm)
Öljytilavuus	78 - 80 oz (2,3 - 2,4 L)
Tulpan kärkiväli	.030 in (.76 mm)
Sytytystulpan kiristysarvo	180 lb-in (20 Nm)
Sytytyspuolan ilmaväli - kaasutinmallit	.005 - .008 in (.13 - .20 mm)
Imuventtiilin välily	.004 - .006 in (.10 - .15 mm)
Pakovenntiilin välily	.007 - .009 in (.18 - .23 mm)

Moottorin teho laskee 3,5 % jokaista 300 metriä (1 000 jalkaa) kohti merenpinnan yläpuolella ja 1 %:n jokaista 5,6 °C (10 °F) kohti lämpötilan ollessa yli 25 °C (77 °F). Moottori toimii moitteettomasti aina 15° kulmaan saakka. Katso käyttöohjekirjasta turvalliset käyttörajat kaltevilla alueilla.

Huolto-osat - Malli: 540000, 610000, 61E100	
Huolto-osa	Varaosanumero
Sykloninen ilmansuodatin (kuva 12)	841497
Sykloninen turvasuodatin (kuva 12)	821136
Ilmansuodatin, matala (kuva 13)	692519
Esipuhdistin, matala (kuva 13)	692520
Öljy - SAE 30	100028

Huolto-osat - Malli: 540000, 610000, 61E100	
Öljysuodatin	842921
Advanced Formula Fuel Treatment and Stabilizer -polttoaineen lisäaine	100117, 100120
Polttoaineensuodatin	691035
Vastussytytystulppa	491055
Platinakärkitulppa	5066
Sytytystulppa-avain	19374
Kipinätesteri	19368

Suosittellemme, että otat yhteyttä valtuutettuun Briggs & Stratton -huoltoilikeeseen kaikissa moottoreiden huoltoja ja korjausta ja moottoreiden varaosia koskevissa kysymyksissä.

Nimellisteho: Erillisten kaasumootorimallien nimellisteho on merkitty SAE-koodilla (Society of Automotive Engineers) J1940 Pienten moottorien teho- ja momenttiluokitusmenetelmä, ja luokiteltu SAE J1995 -standardin mukaisesti. Momenttiarvot johdetaan 2600 RPM:n nopeudella moottoreille, joiden etiketissä on "rpm" ja 3060 RPM:n nopeudella kaikille muille. Hevosvoiman arvot johdetaan nopeudella 3600 RPM. Bruttotehokäyrät ovat nähtävissä osoitteessa www.BRIGGSandSTRATTON.COM Nettotehoarvot on mitattu pakoputki ja ilmanpuhdistin asennettuina, mutta bruttotehoarvot kerätään ilman näitä oheislaitteita. Moottorin todellinen bruttoteho on nettotehoa suurempi, koska siihen vaikuttavat mm. ympäristön käyttöolosuhteet ja moottorikohtaiset vaihtelut. Koska moottoreita asennetaan hyvin erilaisiin laitteisiin, bensiinimoottori ei ehkä kehitä sille ilmoitettua bruttotehoa yksittäisessä moottoroidussa laitteessa. Ero johtuu monista tekijöistä, joita voivat olla esimerkiksi moottorin eri komponentit (ilmanpuhdistin, pakosarja, laturi, jäähdytyn, kaasutin, polttoainepumppu jne.), käyttörajoitukset, ympäristön käyttöolosuhteet (lämpötila, kosteus, korkeus merenpinnasta) sekä moottorikohtainen vaihtelu. Luettelo ei ole rajoittava. Valmistus- ja kapasiteettirajoitusten vuoksi Briggs&Stratton voi vaihtaa moottorin saman sarjan tehokkaampaan versioon.

Takuu

Briggs & Stratton -moottorin takuu

Voimassa tammikuusta 2017 alkaen

Rajoitettu takuu

Briggs & Stratton takaa, että alla määritettyinä takuuajoina se korjaa tai vaihtaa veloituksetta osan tai osat, joissa on materiaali- ja/tai valmistusvika. Takuukorjattavan tai takuuvaihdettavan tuotteen kuljetuskustannukset on ostajan maksettava. Tämä takuu on voimassa alla esitetyn ajan ja alla esitetyillä ehdoilla. Etsi lähin valtuutettu huoltoilike takuuhuoltoa varten jälleenmyyjäkartaltamme osoitteesta BRIGGSandSTRATTON.COM. Ostajan täytyy olla yhteydessä valtuutettuun huoltomyyjään ja toimittaa tuote valtuutetulle huoltomyyjälle tarkistusta ja testausta varten.

Muuta nimenomaista takuuta ei myönnetä. Epäsuorat takuut, mukaan lukien takuut myyntikelpoisuudesta ja soveltuvuudesta johonkin tiettyyn tarkoitukseen, rajoittuvat takuuajanaan, joka on listattu alapuolella, tai lain sallimien rajojen mukaan. Vastuu tahattomista tai välillisistä vahingoista ei kuulu tämän takuun piiriin, jos laki sallii tällaisen takuurajoituksen. Jotkin osavaltiot tai maat eivät salli rajoituksia sen suhteen, kuinka pitkään epäsuora takuu kestää, ja jotkin osavaltiot tai maat eivät salli satunnaisten tai välillisten vahinkojen poissulkemista tai rajoittamista, joten yläpuolella mainittu rajoitus ja poissulkeminen ei välttämättä koske sinua. Tämä takuu antaa Teille nimenomaiset lailliset oikeudet ja Teillä voi olla myös muita Suomen lain mukaisia oikeuksia⁴.

Normaalit takuehdot 1, 2, 3

Merkki / Tuotenimi	Kuluttajakäyttö	Kaupallinen käyttö
Vanguard™; Commercial Series	36 kuukautta	36 kuukautta
Valurautaisella Dura-Bore™-valurautaputkella varustetut moottorit	24 kuukautta	12 kuukautta
Kaikki muut moottorit	24 kuukautta	3 kuukautta

¹Nämä ovat tavanomaiset takuehtomme; takuu saattaa toisinaan kattaa myös muita alueita, joita ei ole määritetty julkaisuhetkellä. Katso moottoriasi koskevat tämänhetkiset takuehdot osoitteesta BRIGGSandSTRATTON.com tai ota yhteyttä lähimpään Briggs & Stratton -huoltoilikeeseen.

²Takuu ei koske moottoreita, joita käytetään kaupallisissa tarkoituksissa ensisijaisena voimanlähteenä tai varageneraattorina. Kilpa-ajoissa tai kaupallisilla tai vuokraraidoilla käytettäviä moottoreita takuu ei koske.

³Vanguard asennettuna varageneraattoreihin: 24 kuukautta yksityiskäytössä, takuu ei koske kaupallista käyttöä. Vanguard asennettuna hyötäjoneuvoihin: 24 kuukautta yksityiskäytössä, 24 kuukautta kaupallisessa käytössä. Commercial Series, joiden valmistuspäivä on ennen heinäkuuta 2017, 24 kuukautta yksityiskäytössä, 24 kuukautta kaupallisessa käytössä.

⁴Australiassa - Tuotteissamme on takuu, jota ei Australian kuluttajansuojalain mukaisesti voi sivuuttaa. Olet oikeutettu vaihtoon tai hyvitykseen merkittävästä viasta

ja korvaukseen muusta kohtuullisessa määrin ennakoitavasta tappiosta tai vahingosta. Olet myös oikeutettu tuotteiden korjaukseen tai vaihtoon, jos niiden laatu ei ole hyväksyttävä, vaikka vikaa ei katsottaisi merkittäväksi viaksi. Ota takuuhuoltoon liittyvissä asioissa yhteyttä lähimpään valtuutettuun Briggs & Stratton -huoltoilikeeseen, jonka löydät jälleenmyyjien kartaltamme osoitteesta BRIGGSandSTRATTON.COM. Voit myös soittaa numeroon 1300 274 447 tai lähettää sähköpostia tai postia osoitteeseen salesenquires@briggsandstratton.com.au, Briggs & Stratton Australia Pty Ltd, 1 Moorebank Avenue, Moorebank, NSW, Australia, 2170.

Takuuaika alkaa sitä päivästä, kun tuote hankitaan ensimmäisen kerran kuluttaja- tai kaupalliseen käyttöön. "Kuluttajakäytöllä" tarkoitetaan vähittäisasiakkaan henkilökohtaista kotilouskäyttöä. "Kaupallisella käytöllä" tarkoitetaan kaikkea muuta käyttöä, kuten käyttöä kaupalliseen toimintaan, tulonhankintaan tai vuokraukseen. Jos moottori on ollut kaupallisessa käytössä, sitä pidetään sen jälkeen kaupalliseen käyttöön tarkoitettuna moottorina tämän takuun osalta.

Säilytä kuitenkin kuitti ostotodistuksena. Jollet pysty osoittamaan laitteen alkuperäistä ostopäivää takuuhuollon yhteydessä, tuotteen valmistuspäivä katsotaan takuunajan alkupäiväksi. Tuotteen rekisteröinti ei ole pakollista takuuhuollon saamiseksi Briggs & Stratton -tuotteille.

Takuehdot

Tämä takuu kattaa vain moottoriin liittyvät vialliset materiaalit ja/tai työvirheet eikä mitään vaihto-osia eikä korvausta laitteesta, johon moottori on kiinnitetty. Tämä takuu ei kata säännöllisesti suoritettavia huoltotoimenpiteitä, virityksiä, säätöjä tai tavallista kulumista. Takuu ei myöskään ole voimassa siinä tapauksessa, että moottoria on muunneltu tai moottorin sarjanumero on sotkettu tai poistettu. Tämä takuu ei kata moottorivaurioita tai suorituskykyyn liittyviä ongelmia, jotka ovat aiheutuneet seuraavista syistä:

- Muiden kuin alkuperäisten Briggs & Stratton -osien käyttö;
- Moottorin käyttäminen riittämättömän öljymäärän, liikaantuneen öljyn tai väärän öljyalaadun kanssa;
- Likaantuneen tai vanhan polttoaineen käyttö, etanolilla käsitellyn bensiinin, jonka etanolipitoisuus on yli 10 % tai vaihtoehtoisten polttoaineiden, kuten nestekaasun tai maakaasun käyttö moottoreissa, joita Briggs & Stratton ei ole alun perin suunnitellut/valmistanut toimimaan sellaisilla polttoaineilla;
- Lika, joka on päässyt moottoriin, koska ilmanpuhdistin on huollettu tai koottu väärin;
- Pyörivän ruohonleikkurin leikkausterän iskeytyminen johonkin esineeseen, löysät tai väärin asennetut teränkiinnikkeet, tuulettimet tai muut kampiakseliin kytketyt laitteet tai kiilahihnan liiallinen kireys;
- Moottoriin liittyvät osat tai kokoonpanot, kuten kytkimet, voimansiirto, laitteiston ohjaimet jne., jotka eivät ole Briggs & Strattonin toimittamia;
- Ylikuumentuminen, joka johtuu leikkujätteistä, liasta ja roskista tai jyräjoiden pesistä, jotka tukkivat jäähdytysripien tai juoksupyörän alueen, tai moottorin käyttämisestä ilman riittävää ilmanvaihtoa;
- Liiallinen tärinä, joka johtuu ylikerroksista, moottorin löysästä kiinnityksestä, löysistä tai epätasapainossa olevista tuulettimista tai laitteen osien vääränlaisesta kiinnityksestä kampiakseliin;
- Laitteiston väärinkäyttö, säännöllisen kunnossapidon laiminlyönti, kuljetus, käsittely tai varastointi tai moottorin väärä asennus.

Takuuhuoltoa on saatavilla ainoastaan Briggs & Stratton valtuuttamissa huoltopisteissä. Lähimmän valtuutetun huoltoilikeen löydät verkkosivulla BRIGGSandSTRATTON.COM löytyvän jälleenmyyjäkartan avulla tai soittamalla numeroon 1-800-233-3723 (USA:ssa).

80004537 (versio C)

Ce manuel contient des informations relatives à la sécurité afin que vous connaissiez les dangers et risques qui sont liés aux souffleuses à neige et la façon de les éviter. Il contient également des directives sur la bonne utilisation et le bon entretien du moteur. Dans la mesure où Briggs & Stratton Corporation ne connaît pas nécessairement quel équipement ce moteur alimentera, il est important que vous lisiez et compreniez ces directives ainsi que celles se rapportant à l'équipement. **Conserver ces instructions d'origine pour référence future.**

Remarque : Les données et illustrations de ce manuel sont fournies pour votre référence uniquement et peuvent différer en fonction du modèle. Contacter votre revendeur si vous avez des questions.

Pour obtenir des pièces de rechange ou une assistance technique, enregistrez le modèle, le type, les numéros de code ainsi que la date d'acquisition du moteur. Ces numéros sont situés sur le moteur (voir la section **Fonctions et commandes**).

Date d'achat	
Modèle – Type – Coupe du moteur	
Numéro de série du moteur	

Recherche le code à barre 2D se trouvant sur certains moteurs. Lorsque le code est lu avec un appareil 2D, il vous amènera sur notre site Web où vous pourrez trouver une assistance pour ce produit. Les taux de données s'appliquent. Certains pays n'ont peut-être pas une assistance en ligne.



Symbole	Signification	Symbole	Signification
	Risque d'incendie		Risque d'explosion
	Risque de décharge électrique		Danger de fumées toxiques
	Risque de surface chaude		Risque lié au bruit - protection auditive recommandée pour une utilisation prolongée.
	Risque de projection d'objets - porter des lunettes de protection.		Risque d'explosion
	Risque de gelure		Risque d'effet de recul
	Risque d'amputation - pièces mobiles		Risque chimique
	Risque thermique		Corrosif

Recyclage



Tous les emballages, l'huile usagée et les batteries doivent être recyclés conformément aux réglementations publiques applicables.

Sécurité de l'opérateur

Symbole de sécurité et termes indicateurs

Le symbole de sécurité permet d'identifier les informations de sécurité sur les dangers pouvant blesser quelqu'un. Un mot-indicateur (DANGER, AVERTISSEMENT ou ATTENTION) est utilisé avec le symbole d'alerte pour indiquer la probabilité et la gravité potentielle de la blessure. Par ailleurs, un symbole de sécurité peut être utilisé pour représenter le type de danger.

DANGER indique un danger qui, si non évité, **causera la mort ou des blessures graves.**

AVERTISSEMENT indique un danger qui, si non évité, **pourrait causer la mort ou des blessures graves.**

ATTENTION indique un danger qui, si non évité, **pourrait causer des blessures mineures ou modérées.**

AVIS indique une situation qui **pourrait causer des dommages au produit.**

Symboles de risque et leurs significations

Symbole	Signification	Symbole	Signification
	Informations de sécurité sur les dangers pouvant provoquer des dommages corporels.		Lire attentivement le contenu du manuel d'utilisation avant de faire fonctionner l'appareil ou d'intervenir dessus.

Messages de sécurité



AVERTISSEMENT

Certains composants de ce produit et de ses accessoires contiennent des produits chimiques reconnus dans l'État de Californie comme étant cause de cancer, d'anomalies congénitales ou d'autres effets néfastes sur la fonction de reproduction. Se laver les mains après la manipulation.



AVERTISSEMENT

Les gaz d'échappement du moteur de ce produit contiennent des produits chimiques reconnus par l'État de Californie comme étant cause de cancer, d'anomalies congénitales ou d'autres effets néfastes sur la fonction de reproduction.



AVERTISSEMENT

Les moteurs Briggs & Stratton ne sont pas conçus pour les équipements suivants et ne doivent pas être utilisés pour les alimenter : karts de loisir ; karts de course ; véhicules de loisir pour les enfants et de sport tous-terrains (ATV) ; cyclomoteurs ; aéroglisseurs ; engins aériens ; ou véhicules utilisés lors de compétitions non approuvées par Briggs & Stratton. Pour plus d'informations concernant les produits destinés à la compétition, consulter www.briggsracing.com. Pour une utilisation avec des quads utilitaires et côte-à-côte, veuillez contacter le Centre d'application des moteurs Briggs & Stratton, au 1-866-927-3349. Une application inadaptée au moteur risque d'entraîner des blessures graves, voire mortelles.



AVERTISSEMENT



L'essence et ses vapeurs sont hautement inflammables et explosives.

Un incendie ou une explosion peuvent provoquer de graves brûlures ou la mort.

Lors de l'ajout de carburant

- Arrêter le moteur et le laisser refroidir au moins 2 minutes avant de retirer le bouchon du réservoir.
- Remplir le réservoir de carburant à l'extérieur ou dans un endroit bien ventilé.

- Ne jamais trop remplir le réservoir de carburant. Pour permettre l'expansion du carburant, ne pas dépasser le bas du col de remplissage du réservoir en effectuant le plein.
- Garder le carburant loin des étincelles, des flammes nues, des lampes témoins, de chaleur et d'autres sources d'allumage.
- Vérifier régulièrement que les canalisations, le réservoir, le bouchon et les raccords de carburant ne présentent ni fissures ni fuites. Remplacer si nécessaire.
- Si du carburant se répand, attendre jusqu'à ce qu'il s'évapore avant de démarrer le moteur.

Démarrage du moteur

- S'assurer que la bougie, le silencieux, le bouchon du réservoir de carburant et le filtre à air (le cas échéant) sont montés et solidement fixés.
- Ne pas démarrer le moteur sans la bougie.
- Si le moteur se noie, mettre le starter (le cas échéant) en position OUVERT/MARCHE, amener la manette des gaz (le cas échéant) en position RAPIDE et lancer le moteur jusqu'à ce qu'il démarre.

Pendant l'utilisation de l'équipement

- Ne pas pencher le moteur ou l'équipement à un angle qui risquerait de faire couler de l'essence.
- Ne pas actionner le starter pour arrêter le moteur.
- Ne jamais démarrer ou faire fonctionner le moteur sans l'épurateur d'air (le cas échéant) ou le filtre à air (le cas échéant).

Lors du changement de l'huile

- Si vous vidangez l'huile par le bouchon de remplissage supérieur, le réservoir de carburant doit être vide, car une fuite éventuelle pourrait provoquer un incendie, voire une explosion.

Lorsque l'entretien requiert de basculer la machine

- S'il est nécessaire de basculer la machine au cours de l'entretien, le réservoir de carburant, s'il est monté sur le moteur, doit être vide, sinon le carburant risque de couler et d'entraîner un incendie ou une explosion.

Lors du transport de la machine

- Transporter avec le réservoir de carburant VIDE ou le robinet d'essence en position CLOSED (FERMÉE).

Entreposage de carburant ou d'équipements dont le réservoir contient du carburant

- Entreposez-les à l'écart des chaudières, poêles, chauffe-eaux ou autres appareils ménagers comportant une veilleuse ou une autre source d'inflammation pouvant enflammer les vapeurs d'essence.



AVERTISSEMENT

Le démarrage du moteur produit des étincelles.

Une étincelle peut mettre le feu aux gaz inflammables à proximité.

Elle pourrait provoquer une explosion ou un incendie.

- Si une fuite de gaz de pétrole liquéfié (GPL) ou de gaz naturel est présente à l'endroit où vous vous trouvez, ne pas tenter de mettre le moteur en marche.
- Ne pas utiliser de fluides de démarrage sous pression, car les vapeurs sont inflammables.



AVERTISSEMENT

RISQUE LIÉ AUX GAZ TOXIQUES. Les gaz d'échappement du moteur contiennent du monoxyde de carbone, un gaz toxique qui pourrait vous tuer en quelques minutes à peine. Vous NE POUVEZ NI le voir, NI le sentir, NI le goûter. Même si vous ne sentez pas l'odeur des gaz d'échappement, vous courrez toujours le risque de respirer du monoxyde de carbone. Si vous commencez à vous sentir malade, pris de vertiges ou faible quand vous utilisez ce produit, coupez le moteur IMMÉDIATEMENT et allez respirer de l'air frais. Consultez un médecin. Il se peut que vous soyez victime d'un empoisonnement au monoxyde de carbone.

- Utilisez cet équipement UNIQUEMENT à l'extérieur et en vous tenant éloigné des fenêtres, portes et ouvertures d'aération pour réduire le risque que du monoxyde de carbone ne s'accumule et ne soit éventuellement aspiré dans des espaces où vivent des personnes ou des animaux.
- Conformément aux instructions du fabricant, installez des alarmes monoxyde de carbone fonctionnant à piles ou alimentées par câble avec batterie de secours. Les détecteurs de fumée ne peuvent pas déceler la présence de monoxyde de carbone.

- NE PAS faire fonctionner cet équipement dans des maisons, garages, sous-sols, vides sanitaires, remises de jardin ou d'autres espaces partiellement confinés, même si des ventilateurs, des portes ou des fenêtres ouvertes facilitent la ventilation. Le monoxyde de carbone peut s'accumuler rapidement dans ces espaces et subsister pendant des heures, même après l'arrêt de l'équipement.
- Disposer TOUJOURS cet équipement dans le sens du vent et orienter l'échappement du moteur dans la direction opposée aux espaces occupés par des personnes ou des animaux.



AVERTISSEMENT

La rétraction rapide du cordon de lanceur (effet de recul) aura pour effet de tirer la main et le bras vers le moteur en moins de temps qu'on ne l'imagine.

Des os cassés, des fractures, des blessures, ou des foulures peuvent en résulter.

- Pour démarrer le moteur, tirer lentement le cordon du lanceur jusqu'à percevoir une résistance et tirer ensuite rapidement pour éviter tout effet de recul.
- Retirer toute charge extérieure à l'équipement ou au moteur avant de le démarrer.
- Les éléments directement couplés à l'équipement, notamment les lames, turbines, poulies, engrenages, etc., devront être fermement arrimés.



AVERTISSEMENT

Les pièces rotatives peuvent toucher ou happer les mains, les pieds, les cheveux, les vêtements ou tout autre accessoire.

Une amputation traumatique ou de graves lacérations peuvent en résulter.

- Utiliser l'équipement avec les protections en place.
- Tenir les mains et les pieds éloignés des pièces en rotation.
- Attacher les cheveux longs et retirer les bijoux.
- Ne pas porter de vêtements amples, de ceintures larges pendantes ou tout vêtement pouvant être saisi.



AVERTISSEMENT

Les moteurs en marche produisent de la chaleur. Les pièces du moteur, en particulier le silencieux, deviennent extrêmement chaudes.

Des brûlures thermiques graves peuvent se produire par contact.

Les débris combustibles tels que les feuilles, l'herbe, les broussailles, etc., peuvent prendre feu.

- Laisser refroidir le pot d'échappement, le cylindre et les ailettes du moteur avant de les toucher.
- Retirer les débris qui se sont accumulés autour de la zone du pot d'échappement et du cylindre.
- L'utilisation ou le fonctionnement du moteur sur des terrains forestiers, broussailleux ou herbeux constitue une violation de la Section 4442 du Code des ressources publiques de Californie, à moins que le système d'échappement ne soit équipé d'un pare-étincelles, comme le stipule cette Section 4442, maintenu en bon état de marche. D'autres états ou juridictions fédérales peuvent avoir des lois similaires. Contacter le constructeur d'origine, le détaillant ou le revendeur de l'équipement pour obtenir un pare-étincelles conçu pour le système d'échappement installé sur ce moteur.



AVERTISSEMENT

Des étincelles involontaires peuvent provoquer un incendie ou un choc électrique.

Un démarrage accidentel peut causer un étranglement, une amputation traumatique ou une lacération.

Risque d'incendie

Avant de procéder à des réglages ou des réparations :

- Débrancher le fil de la bougie d'allumage et le tenir à l'écart de la bougie.
- Débrancher la batterie en retirant le câble de la borne négative de la batterie (uniquement pour les moteurs à démarreur électrique).
- Utiliser uniquement des outils appropriés.
- Ne pas intervenir sur le ressort du régulateur de vitesse, les tringles ou d'autres pièces, pour augmenter le régime du moteur.

- Les pièces de rechange doivent être les mêmes et installées dans la même position que celles d'origine. D'autres pièces peuvent ne pas être aussi performantes, endommager l'équipement et provoquer des blessures.
- Ne pas taper sur le volant moteur avec un marteau ou un objet dur, ce qui risquerait d'entraîner une rupture ultérieure du volant lors du fonctionnement du moteur.

Contrôle de l'étincelle :

- Utiliser un vérificateur de bougie d'allumage approuvé.
- Ne pas contrôler la production d'étincelles sans la bougie.

Fonctions et commandes





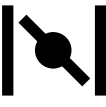



Commandes du moteur


Comparer l'illustration (Figure : 1, 2, 3, 4) avec votre moteur afin de vous familiariser avec l'emplacement des diverses fonctions et commandes.

- A. Numéros d'identification du moteur **Modèle - Type - Code**
- B. Bougie
- C. Épurateur d'air, cyclonique
- D. Épurateur d'air, surbaissé
- E. Jauge
- F. Orifice de remplissage d'huile
- G. Filtre à huile
- H. Bouchon de vidange
- I. Capteur de pression d'huile
- J. Protège-doigts
- K. Démarreur électrique
- L. Solénoïde du starter
- M. Régulateur/Redresseur
- N. Carburateur - Modèles de carburateurs
- O. Radiateur d'huile (si présent)
- P. Silencieux (si présent)
- Q. Pompe à carburant
- R. Commutateur de démarrage ¹
- S. Commande des gaz ¹
- T. Commande de starter - Modèles de carburateurs ¹
- U. Filtre à carburant (si présent)

¹ Certains moteurs et équipements disposent de commandes distantes. Se reporter au manuel de l'équipement pour connaître l'emplacement et l'utilisation des commandes à distance.

Symboles des commandes du moteur et significations

Symbole	Signification	Symbole	Signification
	Régime moteur - FAST (RAPIDE)		Régime moteur - SLOW (LENT)
	Régime moteur - STOP (ARRÊT)		ON - OFF (MARCHE - ARRÊT)
	Démarrage du moteur - Starter CLOSED (FERMÉ)		Démarrage du moteur - Starter OPEN (OUVERT)
	Bouchon de carburant Robinet d'essence - OPEN (OUVERT)		Robinet d'essence - CLOSED (FERMÉ)

Symbole	Signification	Symbole	Signification
	Niveau d'essence - Maximum Ne pas trop remplir le réservoir		

Fonctionnement

Huiles recommandées

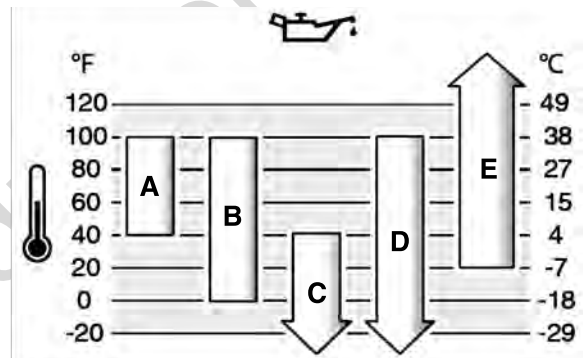
Capacité d'huile : Se reporter aux *Caractéristiques* techniques.

AVIS

Ce moteur est livré sans huile par Briggs & Stratton. Les fabricants d'équipements ou les concessionnaires sont susceptibles d'avoir ajouté de l'huile au moteur. Avant de démarrer le moteur pour la première fois, veiller à vérifier le niveau d'huile et à faire l'appoint en suivant les instructions de ce manuel. Si un moteur sans huile est mis en marche, il sera endommagé de manière irrémédiable et ne sera pas couvert par la garantie.

Nous recommandons l'utilisation d'huiles garanties et certifiées Briggs & Stratton pour obtenir les meilleures performances. D'autres huiles détergentes de haute qualité sont acceptables si elles sont de catégorie SF, SG SH, SJ ou supérieure. Ne pas utiliser d'additifs spéciaux.

Les températures extérieures déterminent le choix de la viscosité de l'huile convenant au moteur. Utilisez le tableau pour sélectionner la meilleure viscosité en fonction de la plage de températures extérieures prévue. Les moteurs de la plupart des équipements extérieurs se comportent bien avec de l'huile synthétique 5W-30. Pour les équipements utilisés par grandes chaleurs, l'huile synthétique Vanguard™ 15W-50 offre la meilleure protection.



A	SAE 30 - En-dessous de 4 °C, l'utilisation de l'huile SAE 30 rendra le démarrage difficile.
B	10W-30 - Au-dessus de 27 °C, l'utilisation de l'huile 10W-30 peut augmenter la consommation d'huile. Vérifiez le niveau d'huile plus fréquemment.
C	5W-30
D	5W-30 synthétique
E	Vanguard™ synthétique 15W-50

Vérification du niveau d'huile

Voir Figure : 5

Avant d'ajouter de l'huile ou de vérifier le niveau

- Mettre le moteur de niveau.
- Nettoyer le pourtour de l'orifice de remplissage de tout débris.

1. Retirer la jauge (A, Figure 5) et la nettoyer avec un chiffon propre.
2. Engager entièrement la jauge (A, Figure 5).
3. Sortir la jauge et vérifier le niveau d'huile. Il doit être au ras de l'indicateur de niveau maximum (B, Figure 5) sur la jauge.
4. Si le niveau est insuffisant, ajouter de l'huile en l'incorporant par l'orifice de remplissage du moteur (C, Figure 5). **Ne pas trop remplir.** Après avoir ajouté de l'huile, attendre une minute, puis vérifier à nouveau le niveau d'huile.
5. Engager entièrement la jauge (A, Figure 5).

Systeme de detection de niveau d'huile bas (le cas échéant)

Certains moteurs sont équipés d'une sonde de détection de niveau d'huile bas. Si le niveau d'huile est insuffisant, la sonde active un voyant d'alerte ou arrête le moteur. Arrêter le moteur et procéder comme décrit ci-dessous avant de remettre en marche le moteur.

- Mettre le moteur de niveau.
- Contrôler le niveau d'huile. Se reporter à la section **Vérifier le niveau d'huile**.
- Si le niveau est insuffisant, faire l'appoint avec la quantité appropriée d'huile. Mettre le moteur en marche et s'assurer que le voyant d'alerte (si prévu) n'est pas allumé.
- Si le niveau d'huile est correct, ne pas faire démarrer le moteur. Contacter un Réparateur agréé Briggs & Stratton pour corriger un problème d'huile.

Recommandations de carburant

Le carburant doit répondre aux critères suivants :

- Essence sans plomb, propre et fraîche.
- Au minimum 87 octanes/87 AKI (91 RON). Utilisation en haute altitude, voir ci-dessous.
- De l'essence contenant jusqu'à 10 % d'éthanol (carburol) est acceptable.

AVIS Ne pas utiliser d'essence non approuvée telle que l'E15 ou l'E85. Ne pas mélanger de l'huile avec l'essence ou modifier le moteur afin qu'ils puissent utiliser des carburants alternatifs. L'utilisation de carburants non approuvés peut endommager les composants, ce qui n'est pas couvert par la garantie.

Pour empêcher que de la gomme ne se forme dans le circuit d'alimentation, mélanger un stabilisateur de carburant à l'essence. Voir **Entreposage**. Tous les carburants ne sont pas identiques. Si des problèmes de démarrage ou de performance se produisent, changer de fournisseur de carburant ou changer de marque. Ce moteur est certifié pour fonctionner à l'essence. Le système de contrôle des émissions pour ce moteur est de type EM (Engine Modifications).

Haute altitude

À des altitudes supérieures à 1 524 mètres (5 000 pieds), de l'essence d'au minimum 85 octane/85 AKI (89 RON) est acceptable.

Pour conserver les caractéristiques d'émission, un réglage spécial haute altitude est nécessaire. Faire fonctionner le moteur sans ce réglage fait baisser ses performances, augmenter la consommation de carburant et les émissions. Contacter un Réparateur agréé Briggs & Stratton pour davantage d'informations sur le réglage haute altitude. Le fonctionnement du moteur à une altitude inférieure à 762 mètres (2 500 pieds) avec le kit haute altitude n'est pas recommandé.

Pour les moteurs à injection électronique (EFI), le réglage haute altitude est inutile.

Faire le plein

Voir Figure : 6



L'essence et ses vapeurs sont extrêmement inflammables et explosifs.

Un incendie ou une explosion peuvent provoquer de très graves blessures ou être mortelles.

Pour faire le plein

- Arrêter le moteur et le laisser refroidir au moins 2 minutes avant de retirer le bouchon du réservoir.
 - Remplir le réservoir de carburant à l'extérieur ou dans un local extrêmement bien ventilé.
 - Ne pas trop remplir le réservoir de carburant. Pour permettre la dilatation de l'essence, ne pas remplir au-delà du bas du col de remplissage.
 - Veiller à tenir l'essence à l'écart des étincelles, des flammes nues, des veilleuses, de la chaleur et de toute autre source d'ignition.
 - Contrôler régulièrement que les durites, le réservoir, le bouchon et les raccords de réservoir ne présentent ni fissures, ni fuites. Remplacer si nécessaire.
 - Si du carburant a été renversé, attendre son évaporation complète avant de démarrer le moteur.
1. Nettoyer le pourtour du bouchon d'essence de la poussière et des débris. Enlever le bouchon d'essence.
 2. Remplir le réservoir (A, Figure 6) d'essence. Pour permettre la dilatation du carburant, ne pas remplir au-delà du bas du la base du col de remplissage. (B).
 3. Remettre le bouchon du réservoir en place.

Démarrage et arrêt du moteur

Voir Figure : 7

Démarrage du moteur



Le carburant et ses vapeurs sont extrêmement inflammables et explosifs.

Un incendie ou une explosion peuvent provoquer des blessures très graves, voire mortelles.

Démarrage du moteur

- S'assurer que la bougie, le silencieux, le bouchon du réservoir de carburant et le filtre à air (si présent) sont montés et solidement fixés.
- Ne pas faire tourner le moteur sans la bougie.
- Si le moteur est noyé, placer le starter (si présent) en position OPEN / RUN (OUVERT/MARCHE), amener l'accélérateur (si présent) en position FAST (RAPIDE) et lancer le moteur jusqu'à ce qu'il démarre.



RISQUE LIÉ AUX GAZ TOXIQUES. Les gaz d'échappement du moteur contiennent du monoxyde de carbone, gaz toxique qui pourrait vous tuer en l'espace de quelques minutes. Il est INVISIBLE et INODORE. Même si vous n'inhalez pas de gaz d'échappement, vous courez toujours le risque de respirer du monoxyde de carbone. Si vous commencez à vous sentir malade, pris de vertiges ou faible quand vous utilisez cette machine, couper le moteur et sortir IMMÉDIATEMENT respirer de l'air frais. Consulter un médecin. Il se peut que vous soyez victime d'un empoisonnement au monoxyde de carbone.

- Utiliser cet équipement UNIQUEMENT à l'extérieur et à l'écart des fenêtres, portes et aérations pour réduire le risque d'accumulation de monoxyde de carbone et son éventuelle propagation à des espaces occupés.
- Installer des avertisseurs de monoxyde de carbone fonctionnant à piles ou alimentés par câble avec batterie de secours selon les directives du fabricant. Les détecteurs de fumée ne peuvent pas déceler la présence de monoxyde de carbone.
- NE PAS faire fonctionner ce produit dans des maisons, garages, sous-sols, vides sanitaires, remises de jardin ou d'autres espaces partiellement confinés, même si des ventilateurs, des portes ou des fenêtres ouvertes facilitent la ventilation. Le monoxyde de carbone peut s'accumuler rapidement dans ces espaces et subsister pendant des heures, même après l'arrêt de l'équipement.
- TOUJOURS positionner cet équipement dans le sens du vent et orienter l'échappement du moteur dans la direction opposée aux espaces occupés.

AVIS Ce moteur est livré sans huile par Briggs & Stratton. Avant de démarrer le moteur, s'assurer d'ajouter de l'huile en suivant les instructions de ce manuel. Si un moteur sans huile est mis en marche, il sera endommagé de manière irréversible et ne sera pas couvert par la garantie.

Déterminer le type de système de démarrage

Avant de mettre le moteur en marche, vous devez déterminer le type du système de démarrage dont il est équipé. Votre moteur peut être pourvu des systèmes suivants :

- **Système d'injection électronique (EFI)** : ce système comprend l'injection électronique. Il n'a ni starter ni amorceur.
- **Système de starter** : Ce moteur comprend un starter utilisé pour le démarrage à basse température. Certains modèles sont équipés d'une commande de starter séparée alors que d'autres sont équipés d'une commande combinée starter et gaz. Ce type de moteur ne comporte pas de poire d'amorçage.

Remarque : L'équipement peut être doté de commandes à distance. Se reporter au manuel de l'équipement pour connaître l'emplacement et l'utilisation des commandes à distance.

Systeme d'injection électronique (EFI)

1. Vérifier l'huile moteur. Se reporter à la section **Vérifier le niveau d'huile**.
2. S'assurer que les commandes d'entraînement de l'équipement, si présentes, sont débrayées.
3. Amener le robinet d'essence (A, Figure 7) éventuellement présent en position OPEN (OUVERT).
4. Amener la commande des gaz éventuellement présente (B, Figure 7) en position FAST (RAPIDE). Faire fonctionner le moteur en position FAST (RAPIDE).
5. Appuyer sur le commutateur d'arrêt éventuellement prévu (D, Figure 7) pour l'amener à la position ON (MARCHE).

6. Tourner le commutateur de démarrage électrique (E, Figure 7) en position ON ou START (MARCHE ou DÉMARRER).

AVIS Pour prolonger la durée de vie du démarreur, ne l'utiliser que pendant des cycles courts (cinq secondes maximum). Attendre une minute avant de recommencer.

Remarque : Si le moteur ne démarre pas malgré plusieurs tentatives, prendre contact avec le Réparateur le plus proche, consulter la page VanguardEngines.com ou appeler le 1-800-999-9333 (aux États-Unis).

Système de starter

1. Vérifier l'huile moteur. Se reporter à la section **Vérifier le niveau d'huile**.
2. S'assurer que les commandes d'entraînement de l'équipement, si présentes, sont débrayées.
3. Amener le robinet d'essence (A, Figure 7) éventuellement présent en position OPEN (OUVERT).
4. Amener la commande des gaz éventuellement présente (B, Figure 7) en position FAST (RAPIDE). Faire fonctionner le moteur en position FAST (RAPIDE).
5. Amener la commande de starter (C, Figure 7) ou la commande combinée starter/gaz en position CLOSED (FERMÉ).

Remarque : Pour démarrer le moteur avec un système à carburant sec (premier démarrage ou après une panne de carburant), une plus longue durée de lancement en position starter sera nécessaire. La pompe à carburant aura ainsi le temps d'amorcer le système de carburant.

6. Appuyer sur le commutateur d'arrêt éventuellement prévu (D, Figure 7) pour l'amener à la position ON (MARCHE).
7. Tourner le contacteur à clé (E, Figure 7) vers la position ON ou START (MARCHE ou DÉMARRER).
8. Si le moteur tourne puis qu'il s'arrête, amener la commande de starter (C, Figure 7) en position OPEN (OUVERT) pour démarrer le moteur.

AVIS Pour prolonger la durée de vie du démarreur, ne l'utiliser que pendant des cycles courts (cinq secondes maximum). Attendre une minute avant de recommencer.

9. À mesure que le moteur se réchauffe, déplacer la commande de starter (C, Figure 7) en position OPEN (OUVERT).

Remarque : Si le moteur ne démarre pas malgré plusieurs tentatives, prendre contact avec le Réparateur le plus proche, consulter la page VanguardEngines.com ou appeler le 1-800-999-9333 (aux États-Unis).

Arrêt du moteur



Le carburant et ses vapeurs sont extrêmement inflammables et explosifs.

Un incendie ou une explosion peuvent provoquer des blessures très graves, voire mortelles.

- Ne pas étrangler le carburateur pour arrêter le moteur.
1. **Commutateur d'arrêt, si présent** : Déplacer le commutateur d'arrêt (D, Figure 7) en position OFF (ARRÊT).
Contacteur à clé, si présent : Commande des gaz en position SLOW (RALENTI), tourner le contacteur à clé (E, Figure 7) en position OFF (ARRÊT). Retirer la clé et la garder dans un endroit sûr hors de portée des enfants.
 2. Après l'arrêt du moteur, amener le robinet d'essence éventuellement présent (A, Figure 7) en position CLOSED (FERMÉ).

Entretien

AVIS Si le moteur est basculé pendant l'entretien, le réservoir de carburant doit être vidé et le côté où se trouve la bougie doit être en haut. Si le réservoir de carburant n'est pas vide et si le moteur est basculé dans toute autre direction, il sera peut-être difficile de le faire démarrer par suite d'huile ou de carburant contaminant le filtre à air et/ou la bougie.



AVERTISSEMENT

S'il est nécessaire de basculer l'équipement au cours de l'entretien, le réservoir de carburant, s'il est monté sur le moteur, doit être vidé, sinon le carburant risque de couler et d'entraîner un incendie ou une explosion.

Nous vous recommandons de confier à un Réparateur Briggs & Stratton agréé tout l'entretien de votre moteur et de ses pièces.

AVIS Tous les composants de ce moteur doivent rester à leur place d'origine pour que le moteur fonctionne correctement.



AVERTISSEMENT



Une étincelle accidentelle peut provoquer un incendie ou une décharge électrique.

Un démarrage accidentel peut causer un étranglement, l'amputation ou la lacération d'un membre.

Risque d'incendie

Avant d'effectuer des réglages ou des réparations :

- Débrancher le fil de bougie et l'attacher à bonne distance de la bougie.
- Débrancher le câble Négatif de la batterie (uniquement pour les moteurs à démarrage électrique).
- N'utiliser que les outils corrects.
- Ne pas modifier le ressort du régulateur, les tringles ou autres pièces pour augmenter le régime du moteur.
- Les pièces de rechange doivent être d'origine et installées de la même façon que les pièces remplacées. D'autres pièces peuvent ne pas fonctionner aussi bien, peuvent endommager la machine et peuvent provoquer des blessures.
- Ne pas taper sur le volant moteur avec un marteau ou un objet dur ; cela pourrait entraîner une rupture ultérieure du volant pendant que le moteur fonctionne.

Contrôle de l'étincelle :

- Utiliser un contrôleur homologué.
- Ne pas contrôler l'étincelle avec la bougie retirée.

Service du Contrôle des émissions

L'entretien, le remplacement ou la réparation des dispositifs et systèmes de contrôle des émissions peuvent être effectués par tout établissement de réparation de moteurs hors route ou par une personne qualifiée. Cependant, pour obtenir un service après-vente « gratuit » du contrôle des émissions, le travail doit être effectué par un revendeur agréé de l'usine. Voir la déclaration sur le contrôle des émissions.

Calendrier d'entretien

Toutes les 8 heures ou chaque jour
<ul style="list-style-type: none"> • Vérification du niveau d'huile moteur • Nettoyage autour du silencieux et des commandes
Toutes les 100 heures ou une fois par an
<ul style="list-style-type: none"> • Remplacer les bougies d'allumage • Changement de l'huile moteur • Remplacer le filtre à huile (si présent) • Entretien du filtre à air ^{1,2} • Nettoyer le pré-filtre (si présent) ¹ • Entretien du système d'échappement
Toutes les 250 heures
<ul style="list-style-type: none"> • Contrôler le jeu des soupapes. Régler si nécessaire.
Toutes les 400 heures ou une fois par an
<ul style="list-style-type: none"> • Remplacer le filtre à air ² • Remplacement du filtre à carburant • Entretien du circuit de refroidissement ¹ • Nettoyer les ailettes du radiateur d'huile ¹
Toutes les 600 heures ou une fois par an
<ul style="list-style-type: none"> • Remplacer le filtre de sécurité (si présent)

- ¹ À nettoyer plus fréquemment dans des conditions d'utilisation en atmosphère poussiéreuse ou chargée de débris en suspension.
- ² Tous les trois changements de filtre à air, remplacer le filtre de sécurité interne (si présent).

Système d'injection électronique (EFI)

Le système EFI surveille la température, la vitesse du moteur et la tension de la batterie pour le démarrage et le réchauffage du moteur. Il n'y a aucun réglage sur le système. En cas de problème de démarrage ou de fonctionnement, contacter un réparateur technique agréé Briggs & Stratton.

AVIS Veiller à respecter les étapes ci-dessous sous peine d'endommager le système EFI.

- Ne jamais démarrer le moteur si les câbles de la batterie sont desserrés.
- Mettre la clé en position OFF (ARRÊT) avant de débrancher, retirer et/ou installer la batterie.
- Ne jamais utiliser de chargeur de batterie pour démarrer le moteur.
- Ne jamais débrancher les câbles de la batterie pendant que le moteur tourne.
- Pour brancher les câbles de la batterie, connecter d'abord le câble positif (+), puis le câble négatif (-) à la batterie.
- Lorsque la batterie est en charge, mettre le contacteur en position OFF (ARRÊT) et débrancher le câble négatif (-) de la batterie.
- Ne pas vaporiser de l'eau directement sur le module de commande électronique.

Carburateur et régime moteur

Ne jamais procéder à des réglages du carburateur ou du régime moteur. Le carburateur a été réglé à l'usine pour fonctionner de manière efficace dans la plupart des conditions. Ne pas altérer le ressort du régulateur, la tringlerie ou toute autre pièce pour augmenter le régime du moteur. Si un réglage s'impose, s'adresser à une Station Service Briggs & Stratton agréée.

AVIS Le constructeur de l'équipement spécifie le régime maximal du moteur tel qu'installé sur l'équipement. **Ne pas dépasser** ce régime. En cas de doute quant au régime maximal pour l'équipement ou au régime moteur configuré en sortie d'usine, s'adresser à une Station Service Briggs & Stratton agréée. Pour garantir la sécurité et le bon fonctionnement de l'équipement, le régime moteur ne doit être réglé que par un technicien de service qualifié.

Entretien de la bougie

Voir Figure : 8

Vérifier l'écartement des électrodes (A, Figure 8) avec une jauge à fil (B). Régler l'écartement des électrodes au besoin. Remettre la bougie et la serrer au couple recommandé. Pour régler l'écartement et trouver le couple de serrage, voir la section **Spécifications**.

Remarque : Dans certains pays, la législation impose l'emploi de bougies à résistance pour supprimer les parasites à l'allumage. Si ce moteur était équipé d'une bougie avec résistance, utiliser le même type de bougie lors de son remplacement.

Entretien du système d'échappement



AVERTISSEMENT

Un moteur en marche produit de la chaleur. Les pièces du moteur, et plus particulièrement le silencieux, deviennent extrêmement chaudes.

Les toucher peut provoquer de graves brûlures.

Les débris combustibles comme les feuilles, l'herbe, les broussailles peuvent s'enflammer.

- Laisser le silencieux, le cylindre du moteur et les ailettes refroidir avant de les toucher.
- Retirer les débris accumulés autour du silencieux et du cylindre.
- L'utilisation ou le fonctionnement du moteur sur des terrains forestiers, broussailloux ou herbeux constituent une violation de la Section 4442 du California Public Resource Code, sauf si le système d'échappement est équipé d'un pare-étincelles, tel que défini dans la Section 4442, en bon état de fonctionnement. D'autres états ou juridictions fédérales peuvent appliquer des lois similaires. Contacter le fabricant, le distributeur ou le fournisseur d'origine de la machine pour obtenir un pare-étincelles conçu pour le système d'échappement installé sur ce moteur.

Retirer les débris accumulés autour du silencieux et du cylindre. Inspecter le silencieux à la recherche de fissures, de corrosion ou autre dommage. Retirer le déflecteur ou le pare-

étincelles, le cas échéant, et inspecter s'ils sont endommagés ou obstrués par des dépôts de carbone. En cas de défaut constaté, remplacer les pièces défectueuses avant de réutiliser l'équipement.



AVERTISSEMENT

Les pièces de rechange doivent être d'origine et installées de la même façon que les pièces remplacées. D'autres pièces peuvent ne pas fonctionner aussi bien, peuvent endommager la machine et peuvent provoquer des blessures.

Changement de l'huile moteur

Voir Figure : 9, 10, 11

L'huile usagée constitue un déchet dangereux qui doit être éliminé de façon appropriée. Ne pas la jeter avec les déchets ménagers. Se renseigner sur les lieux de collecte ou de recyclage auprès des autorités locales, du centre de services ou du concessionnaire.

Vidange de l'huile

1. Pendant que le moteur est arrêté mais encore chaud, déconnecter le ou les câbles de bougie (D, Figure 9) et les tenir à l'écart des bougies (E).
2. Retirer la jauge (A, Figure 10).
3. Retirer le bouchon de vidange (F, Figure 11). Vidanger l'huile dans un récipient homologué.
4. Quand l'huile a été vidangée, remettre et resserrer le bouchon de vidange (F, Figure 11).

Remplacement du filtre à huile, si présent

Certains moteurs sont équipés d'un filtre à huile. Pour la fréquence de remplacement, se reporter au **Calendrier d'entretien**.

1. Vidanger l'huile du moteur. Se reporter à la rubrique **Vidange de l'huile**.
2. Déposer le filtre à huile (G, Figure 11) et le jeter de manière adéquate.
3. Avant d'installer le nouveau filtre à huile, lubrifier légèrement le joint du filtre avec de l'huile fraîche et propre.
4. Installer le filtre à huile à la main jusqu'à ce que le joint soit au contact de l'adaptateur du filtre puis visser le filtre de 1/2 à 3/4 de tours.
5. Ajouter de l'huile. Voir la rubrique **Ajout d'huile**.
6. Démarrer et faire tourner le moteur. À mesure que le moteur chauffe, détecter les éventuelles fuites d'huile.
7. Arrêter le moteur et vérifier le niveau d'huile. Il doit être au ras de l'indicateur de niveau maximum (B, Figure 10) sur la jauge.

Ajout d'huile

- Mettre le moteur de niveau.
- Nettoyer le pourtour de l'orifice de remplissage de tout débris.
- Voir la section **Spécifications** pour connaître la capacité d'huile.

1. Retirer la jauge (A, Figure 10) et la nettoyer avec un chiffon propre.
2. Verser lentement l'huile par l'orifice de remplissage du moteur (C, Figure 10). **Ne pas trop remplir**. Après avoir ajouté de l'huile, attendre une minute puis vérifier le niveau d'huile.
3. Remettre la jauge en place et la resserrer (A, Figure 10).
4. Sortir la jauge et vérifier le niveau d'huile. Il doit être au ras de l'indicateur de niveau maximum (B, Figure 10) sur la jauge.
5. Remettre et resserrer la jauge (A, Figure 10).
6. Rebrancher le ou les fils de bougie (D, Figure 9) sur la ou les bougies (E).

Entretien du filtre à air

Voir Figure : 12, 13



AVERTISSEMENT



Le carburant et ses vapeurs sont extrêmement inflammables et explosifs.

Un incendie ou une explosion peuvent provoquer des blessures très graves, voire mortelles.

- Ne jamais démarrer ou faire fonctionner le moteur sans l'ensemble de filtre à air (si présent) ou sans le filtre à air (si présent).

AVIS Ne pas utiliser d'air comprimé ou de solvant pour nettoyer le filtre. L'air comprimé peut endommager le filtre et les solvants le dissoudre.

Se reporter au **Calendrier d'entretien** pour connaître les prescriptions d'entretien.

Selon les modèles, le filtre peut être en mousse ou en papier. Certains modèles sont également équipés d'un préfiltre en option qui peut être lavé et réutilisé. Comparer les illustrations de ce manuel avec le type de filtre monté sur votre moteur et procéder comme suit pour l'entretien.

Filtre à air en papier

1. Ouvrir la ou les attaches (A, Figure 12) et déposer le couvercle (B).
2. Retirer le filtre à air (C, Figure 12).
3. Pour faire tomber les débris, tapoter doucement le filtre à air sur une surface dure. Si le filtre à air est trop sale, le remplacer par un filtre à air neuf.
4. Pour retirer le filtre de sécurité (D, Figure 12), si présent, l'enlever délicatement du corps de l'épurateur d'air (E). S'assurer qu'aucune saleté ou qu'aucun débris n'entre dans le moteur.
5. Monter le nouveau filtre de sécurité (D, Figure 12) dans le corps de l'épurateur d'air (E).
6. Monter le filtre (C, Figure 12) sur le filtre de sécurité (D).
7. Remonter le couvercle (B, Figure 12) et refermer la ou les attaches (A).

Filtre à air en papier

1. Retirer la ou les attaches (A, Figure 13).
2. Déposer le couvercle (B, Figure 13).
3. Retirer la ou les attaches (C, Figure 13) et l'arrêt (D).
4. Retirer le filtre à air (E, Figure 13).
5. Retirer le préfiltre (F, Figure 13), si présent, du filtre à air (E).
6. Pour faire tomber les débris, tapoter doucement le filtre à air (E, Figure 13) sur une surface dure. Si le filtre à air est trop sale, le remplacer par un filtre à air neuf.
7. Laver le préfiltre (F, Figure 13), si présent, avec un liquide détergent et de l'eau. Bien laisser sécher le préfiltre à l'air libre. **Ne pas** huiler le préfiltre.
8. Monter le préfiltre sec (F, Figure 13), si présent, sur le filtre à air (E).
9. Monter le filtre à air (E, Figure 13) et le bloquer à l'aide d'un arrêt (D) et d'une ou de plusieurs attaches (C).
10. Monter le couvercle (B, Figure 13) et le bloquer avec la ou les attaches (A). S'assurer que la ou les attaches soient bien serrées.

Entretien du circuit de carburant

Voir l'illustration : 14



AVERTISSEMENT L'essence et ses vapeurs sont hautement inflammables et explosives.

Un incendie ou une explosion peuvent entraîner de graves brûlures, voire même la mort.

- Garder le carburant loin des étincelles, des flammes nues, des lampes témoins, de chaleur et d'autres sources d'allumage.
- Vérifier régulièrement que les canalisations, le réservoir, le bouchon et les raccords de carburant ne présentent ni fissures ni fuites. Remplacer si nécessaire.
- Avant de nettoyer ou de remplacer le filtre à carburant, vidanger le réservoir d'essence ou fermer le robinet d'essence.
- Si du carburant se répand, attendre jusqu'à ce qu'il s'évapore avant de démarrer le moteur.
- Les pièces de rechange doivent être d'origine et installées de la même façon que les pièces remplacées.

Filtre à carburant, si équipé

1. Avant de remplacer le filtre à carburant (A, Figure 14), si équipé, vidanger le réservoir ou fermer le robinet d'essence. Sinon, une fuite de carburant peut se produire et provoquer un incendie ou une explosion.
2. Utiliser des pinces pour serrer les languettes (B, Figure 14) sur les colliers (C), puis faire glisser les colliers loin du filtre à carburant (A). Tourner et débrancher les durites (D) du filtre à carburant.
3. Vérifier que les durites (D, Figure 14) ne présentent ni fissures ni fuites. Remplacer si nécessaire.

4. Remplacer le filtre à carburant (A, Figure 14) par un filtre d'origine.
5. Fixer les durites (D, Figure 14) avec les colliers (C) comme indiqué.

Entretien du système de refroidissement

Voir Figure : 15, 16



AVERTISSEMENT Les moteurs en marche produisent de la chaleur. Les pièces du moteur, et plus particulièrement le silencieux, deviennent extrêmement chaudes.

En cas de contact, de graves brûlures peuvent se produire.

Les débris combustibles comme les feuilles, l'herbe, les broussailles, entre autres, peuvent s'enflammer.

- Laisser refroidir le silencieux, le cylindre du moteur et les ailettes avant de les toucher.
- Retirer les débris accumulés autour du silencieux et du cylindre.

AVIS Ne pas utiliser d'eau pour nettoyer le moteur. L'eau peut contaminer le circuit de carburant. Utiliser une brosse ou un chiffon sec pour nettoyer le moteur.

Ce moteur est refroidi par air. De la poussière ou des débris peuvent affecter le débit d'air et faire chauffer le moteur, ce qui réduit ses performances et sa durée de vie.

1. Utiliser une brosse ou un chiffon sec pour enlever les débris de la zone d'admission d'air (A, Figure 15).
2. La tringlerie, les ressorts et les commandes (B, Figure 15, 16) doivent rester propres.
3. Aucun débris combustible ne doit se trouver dans la zone autour et à l'arrière du silencieux (C, Figure 15, 16).
4. S'assurer que les ailettes de refroidissement d'huile (D, Figure 15) sont exemptes de saletés et de poussière.
5. Desserrer la ou les attaches (E, Figure 16) jusqu'à ce qu'un clic se fasse entendre. Retirer le panneau (F) et nettoyer les saletés et la poussière. S'assurer de nettoyer également le dessous du panneau.
6. Monter le panneau (B, Figure 16) et le bloquer avec la ou les attaches (E). Serrer la ou les attaches jusqu'à ce qu'un clic se fasse entendre.

Avec le temps, des débris peuvent s'accumuler dans les ailettes de refroidissement du cylindre et entraîner une surchauffe de celui-ci. Ces débris ne sont pas visibles sans un démontage partiel du moteur. Un réparateur agréé Briggs & Stratton doit procéder à une inspection et à un nettoyage du système de refroidissement d'air selon les prescriptions du **Calendrier d'entretien**.

Entreposage



AVERTISSEMENT L'essence et ses vapeurs sont hautement inflammables et explosives.

Un incendie ou une explosion peuvent entraîner de graves brûlures, voire même la mort.

Entreposage de carburant ou d'équipements dont le réservoir contient du carburant

- Entreposez-les à l'écart des chaudières, cuisinières, chauffe-eaux ou autres appareils ménagers comportant une veilleuse ou une autre source d'inflammation pouvant enflammer les vapeurs d'essence.

Circuit d'alimentation

Voir l'illustration : 17

Ranger le levier du moteur (en position normale de fonctionnement). Remplissage du réservoir (A, Figure 17) avec du carburant. Pour permettre l'expansion du carburant, ne pas dépasser le col de remplissage du réservoir en faisant le plein (B).

Le carburant peut s'éventer quand il est stocké plus de 30 jours. Un carburant éventé peut occasionner la formation de dépôts acides et de gomme dans le système d'alimentation ou sur les pièces essentielles du carburateur. Pour que le carburant conserve toutes ses propriétés, utilisez le **stabilisateur et agent de traitement de carburant à formule avancée Briggs & Stratton**, disponible dans tous les points de vente de pièces d'entretien d'origine Briggs & Stratton.

Il n'est pas nécessaire de purger l'essence du moteur si un stabilisateur de carburant a été ajouté selon les instructions. Avant son entreposage, faire tourner le moteur pendant deux (2) minutes pour faire circuler le stabilisateur dans le circuit d'alimentation.

Si le carburant dans le moteur n'a pas été traité avec un stabilisateur de carburant, il doit être purgé dans un récipient approuvé. Faire fonctionner le moteur jusqu'à ce qu'il s'arrête,

faute de carburant. L'utilisation d'un stabilisateur de carburant dans le récipient d'entreposage est recommandée pour que le carburant conserve toutes ses propriétés.

Huile moteur

Pendant que le moteur est encore chaud, changer l'huile du moteur. Voir la section **Changer l'huile moteur**.

Dépannage

Pour obtenir de l'aide, prendre contact avec le Réparateur le plus proche, consulter la page **VanguardEngines.com** ou appeler le **1-800-999-9333** (aux États-Unis).

Spécifications

Modèle : 540000	
Cylindrée	54.68 ci (896 cc)
Alésage	3.366 in (85,5 mm)
Course	3.071 in (78,0 mm)
Capacité d'huile	78 - 80 oz (2,3 - 2,4 L)
Écartement des électrodes de bougie	.030 in (,76 mm)
Couple de serrage de bougie	180 lb-in (20 Nm)
Entrefer volant/bobine	.005 - .008 in (,13 - ,20 mm)
Jeu de soupape d'admission	.004 - .006 in (,10 - ,15 mm)
Jeu de soupape d'échappement	.007 - .009 in (,18 - ,23 mm)

Modèle : 610000, 61E100	
Cylindrée	60.60 ci (993 cc)
Alésage	3.366 in (85,5 mm)
Course	3.406 in (86,5 mm)
Capacité d'huile	78 - 80 oz (2,3 - 2,4 L)
Écartement des électrodes de bougie	.030 in (,76 mm)
Couple de serrage de bougie	180 lb-in (20 Nm)
Entrefer volant/bobine - Modèles de carburateurs	.005 - .008 in (,13 - ,20 mm)
Jeu de soupape d'admission	.004 - .006 in (,10 - ,15 mm)
Jeu de soupape d'échappement	.007 - .009 in (,18 - ,23 mm)

La puissance du moteur diminuera de 3,5 % à chaque palier d'altitude de 300 mètres (par rapport au niveau de la mer) et de 1 % tous les 5,6 °C à partir de 25 °C. Le moteur fonctionne de façon satisfaisante à un angle allant jusqu'à 15°. Voir les limites acceptables des pentes dans le manuel de fonctionnement de l'équipement.

Pièces de rechange - Modèle : 540000, 610000, 61E100	
Pièce de rechange	Référence de pièce
Filtre à air cyclonique (Figure 12)	841497
Filtre de sécurité cyclonique (Figure 12)	821136
Filtre à air, surbaissé (Figure 13)	692519
Préfiltre, surbaissé (Figure 13)	692520
Huile - SAE 30	100028
Filtre à huile	842921
Stabilisateur et agent de traitement de carburant à formule avancée	100117, 100120
Filtre à carburant	691035
Bougie à résistance	491055
Bougie en platine longue durée	5066
Clé à bougie	19374
Contrôleur	19368

Nous vous recommandons de confier à un Réparateur Briggs & Stratton agréé tout l'entretien de votre moteur et de ses pièces.

Puissances nominales : La puissance brute de chaque modèle de moteur à essence est indiquée conformément au Code J1940 (procédure de calcul de la puissance et du couple

des petits moteurs) de la norme SAE (Society of Automotive Engineers), et elle a été obtenue conformément à la norme SAE J1995. Les valeurs de couple sont calculées à 2 600 tr/min pour les moteurs dont l'étiquette porte la mention « RPM » et à 3 060 tr/min pour tous les autres. Les valeurs en CV sont dérivées à 3 600 tr/min. Les courbes de puissance brute peuvent être consultées sur le site www.BRIGGSandSTRATTON.COM. Les valeurs données pour la puissance nette sont mesurées avec l'échappement ou le filtre à air installé tandis que les valeurs données pour la puissance brute sont recueillies sans ces accessoires. La puissance brute réelle du moteur sera plus élevée que la puissance nette du moteur et est affectée, entre autres, par les conditions atmosphériques de fonctionnement et les variations d'un moteur à l'autre. Compte tenu de la grande variété de machines sur lesquelles nos moteurs sont utilisés, il se peut que le moteur à essence ne développe pas la puissance nominale brute une fois qu'il est monté sur une machine particulière. Cette différence s'explique par un grand nombre de facteurs, y compris, sans toutefois s'y limiter, la diversité des composants du moteur (filtre à air, échappement, admission, refroidissement, carburateur, pompe à essence, etc.), limites d'utilisation, conditions ambiantes d'utilisation (température, humidité, altitude) et variations d'un moteur à l'autre. Pour des raisons de fabrication et de capacité limitées, Briggs & Stratton est susceptible de remplacer ce modèle par un moteur plus puissant.

Garantie

Garantie sur le moteur Briggs & Stratton

En vigueur à partir de janvier 2017

Garantie limitée

Briggs & Stratton garantit la réparation ou le remplacement gratuit, pendant la période de garantie spécifiée ci-dessous, de toute pièce présentant des défauts matériels ou de fabrication. Les frais de transport du produit à réparer ou remplacer seront, dans le cadre de cette garantie, à la charge de l'acheteur. Cette garantie court sur les périodes énoncées ci-dessous et est assujettie aux conditions énoncées ci-dessous. Pour le service de garantie, vous trouverez le centre de réparations agréé le plus proche dans notre carte des points de vente à l'adresse BRIGGSandSTRATTON.COM. L'acheteur doit contacter le distributeur agréé puis lui confier le produit à des fins d'inspection et de test.

Il n'existe aucune autre garantie expresse. Les garanties implicites, y compris celles de qualité marchande et d'adéquation à un usage particulier sont limitées à la période de garantie indiquée ci-dessous, ou dans la mesure permise par la loi. Les responsabilités relatives aux dommages consécutifs ou indirects sont exclues dès lors que cette exclusion est autorisée par la loi. Certains États ou pays ne permettent pas les limitations de durée de la garantie implicite. Certains États ou pays n'autorisent pas l'exclusion ou la limitation des dommages consécutifs ou indirects. Dans ce cas, l'exclusion et la limitation ci-dessus ne s'appliquent pas à votre cas. La présente garantie vous accorde certains droits légaux spécifiques et vous pourriez également en avoir d'autres, lesquels peuvent varier d'un État ou d'une province à l'autre et d'un pays à l'autre ⁴.

Conditions standards de la garantie 1, 2, 3

Marque / Type de produit	Utilisation par le consommateur	Usage professionnel
Vanguard™ ; série commerciale	36 mois	36 mois
Moteurs à chemise en fonte à alésage Dura-Bore™	24 mois	12 mois
Tous les autres moteurs	24 mois	3 mois

¹Ce sont nos conditions standards de garantie, mais il peut y avoir, de temps à autre, une garantie supplémentaire qui n'a pas été définie à la date de la publication. Pour connaître les modalités actuelles de garantie s'appliquant à votre moteur, visitez le site www.BRIGGSandSTRATTON.com ou contactez votre revendeur Briggs & Stratton agréé.

² Il n'y a aucune garantie sur les moteurs utilisés pour l'alimentation de base à la place des services publics ou des générateurs de secours utilisés à des fins commerciales. Les moteurs utilisés en course automobile ou avec un but d'exploitation commerciale ou de location ne sont pas garantis.

³ Vanguard installé sur des générateurs de secours : 24 mois en usage privé, aucune garantie pour une utilisation commerciale. Vanguard installé sur des véhicules utilitaires : 24 mois en usage privé, 24 mois pour une utilisation commerciale. La série commerciale dont la date de fabrication est antérieure à juillet 2017, 24 mois en usage privé, 24 mois pour une utilisation commerciale.

⁴ En Australie – Nos produits sont accompagnés de garanties qui ne peuvent être exclues en vertu de la loi australienne de protection du consommateur (Australian Consumer Law). Vous pouvez obtenir un remplacement ou un remboursement en cas de défaillance majeure ou en compensation de toute perte ou de tout dommage survenus dans le cadre des conditions raisonnablement prévisibles d'utilisation du produit. Vous pouvez également bénéficier de la réparation ou du remplacement des produits si la qualité de ces derniers n'est pas acceptable et si le défaut n'entraîne pas de défaillance majeure. Pour les réparations couvertes par la garantie, trouvez le réparateur agréé le plus proche de chez vous au moyen de la carte localisatrice de nos revendeurs sur le site BRIGGSandSTRATTON.COM, ou en composant le 1-300-274-447, ou en envoyant un courrier électronique à salesenquires@briggsandstratton.com.au, ou en écrivant à Briggs & Stratton Australia Pty Ltd, 1 Moorebank Avenue, Moorebank, NSW, Australie, 2170.

La période de garantie débute à la date d'achat par le premier acheteur au détail ou par le premier utilisateur commercial final. L'utilisation en « usage privé » signifie que le produit sera utilisé par un consommateur au détail dans un but privé. L'« utilisation commerciale » indique toutes les autres utilisations possibles, y compris commerciales, créatrices de revenus ou locatives. Dès qu'un moteur a servi à des fins commerciales, il sera considéré comme un moteur pour une utilisation commerciale dans le cadre de la présente garantie.

Conservez le reçu de votre achat. Si vous ne fournissez pas la preuve de la date d'achat initiale au moment de la demande du service de garantie, la date de fabrication du produit sera retenue pour déterminer la période de garantie. L'enregistrement du produit n'est pas nécessaire pour bénéficier de la garantie sur les produits Briggs & Stratton.

Au sujet de votre garantie

Cette garantie limitée couvre le matériel relatif au moteur et/ou les problèmes de fabrication uniquement, et non le remplacement ou le remboursement de la machine sur lequel le moteur était installé. Les mises au point de routine, les réglages, les ajustements et l'usure normale ne sont pas couvertes par cette garantie. De même, la garantie ne s'applique pas si le moteur a été altéré ou modifié, ou si le numéro de série du moteur a été dégradé ou effacé. Cette garantie ne couvre pas les dommages du moteur ou les problèmes de performance dus à :

1. L'usage de pièces qui ne sont pas des pièces d'origine Briggs & Stratton ;
2. L'utilisation du moteur avec de l'huile en quantité insuffisante, contaminée ou d'un grade de lubrification inadéquat ;
3. L'usage de carburant contaminé ou éventé, d'essence contenant plus de 10 % d'éthanol ou de carburants de remplacement tels que le pétrole liquéfié ou le gaz naturel sur des moteurs non conçus/fabriqués par Briggs & Stratton pour de tels carburants ;
4. Les saletés qui pénètrent dans le moteur du fait d'un entretien inadéquat du filtre à air ou de son remontage ;
5. Heurter un objet avec le couteau d'une tondeuse à gazon rotative, des adaptateurs de lames desserrés ou mal montés, des turbines ou tout autre dispositif couplé à un vilebrequin, ou un serrage excessif de la courroie en V ;
6. Les pièces associées ou ensembles tels que les embrayages, les transmissions, les commandes du matériel, etc. qui ne sont pas fournis par Briggs & Stratton ;
7. Surchauffe provoquée par l'herbe coupée, les saletés et les débris, ou les nids de rongeurs qui obstruent ou bouchent les ailettes de refroidissement ou la zone du volant moteur ou par le fonctionnement du moteur sans une aération suffisante ;
8. Des vibrations excessives provoquées par un surrégime, un montage mal serré du moteur, des lames ou turbines desserrées ou mal équilibrées, ou un mauvais couplage des composants du matériel au vilebrequin ;
9. Un abus, un manque d'entretien courant, l'expédition, la manutention ou l'entreposage de l'équipement ou une mauvaise installation du moteur.

Les services couverts par la garantie sont assurés par les distributeurs Briggs & Stratton agréés uniquement. Trouvez votre centre de services autorisé le plus proche en utilisant la carte localisatrice de nos revendeurs sur le site BRIGGSandSTRATTON.COM ou en appelant le 1-800-233-3723 (aux États-Unis).

80004537 (Rév. C)

Questo manuale contiene norme di sicurezza importanti per prevenire ogni rischio associato al motore. Contiene inoltre istruzioni sull'uso e la manutenzione corretta del motore. Poiché Briggs & Stratton non conosce necessariamente l'applicazione sulla quale verrà installato questo motore, è molto importante leggere e capire l'intero contenuto del manuale d'istruzioni dell'attrezzatura sulla quale è installato il motore. **Conservare l'originale delle presenti istruzioni per potervi fare riferimento in futuro.**

Nota: Le figure e le illustrazioni di questo manuale sono solo per riferimento e possono differire dallo specifico modello acquistato. Contattare il rivenditore se si hanno domande.

Per ordinare i ricambi o inviare eventuali richieste di assistenza, annotare qui i numeri di Modello, Tipo e Codice del motore insieme alla data di acquisto. Questi numeri si trovano sul motore (vedere la sezione **Caratteristiche e controlli**).

Data dell'acquisto:	
Modello del motore - Tipo - Trim	
Numero di serie del motore	

Cercare il codice a barre 2D riportato su alcuni motori. Quando viene visualizzato con un dispositivo abilitato al 2D, il codice rimanda al nostro sito web, dove è possibile accedere alle informazioni di supporto per questo prodotto. Si applicano gli indici di trasferimento dati. Alcuni Paesi potrebbero non disporre delle informazioni di supporto.



Informazioni sul riciclaggio

		Tutti gli imballaggi, l'olio esausto e le batterie dovrebbero essere smaltiti in conformità con le normative applicabili.
--	--	---

Sicurezza dell'operatore

Simbolo di avvertenza per la sicurezza e termini di segnalazione

Il simbolo di avvertenza per la sicurezza è utilizzato per segnalare le informazioni di sicurezza su rischi che possono portare a lesioni personali. Si usa un termine di segnalazione (PERICOLO, AVVERTENZA o ATTENZIONE) per indicare la probabilità o la gravità del rischio. Inoltre, per indicare il tipo di pericolo può essere utilizzato un simbolo di sicurezza.

PERICOLO indica un rischio che, se non evitato, **provocherà gravi lesioni o morte.**

AVVERTENZA indica un rischio che, se non evitato, **potrebbe avere come conseguenza morte o lesioni gravi.**

ATTENZIONE indica un rischio che, se non evitato, **potrebbe provocare lesioni minori o moderate.**

AVVISO indica un'azione che **potrebbe causare danni al prodotto.**

Simboli indicanti rischio e relativi significati

Simbolo	Significato	Simbolo	Significato
	Informazioni di sicurezza relative ai rischi che possono causare lesioni personali.		Prima di usare o riparare la macchina, leggere e comprendere il manuale per l'operatore.

Simbolo	Significato	Simbolo	Significato
	Pericolo di incendio		Pericolo di esplosione.
	Pericolo di scossa elettrica.		Pericolo di fumi tossici.
	Pericolo superfici estremamente calde		Pericolo acustico - Protezione auricolare raccomandata in caso di uso prolungato.
	Pericolo di lancio di oggetti - Indossare una protezione per gli occhi.		Pericolo di esplosione.
	Pericolo di congelamento.		Pericolo di contraccolpo
	Pericolo di amputazione - Parti in movimento		Pericolo chimico
	Pericolo di riscaldamento termico		Corrosivo

Messaggi sulla sicurezza

AVVERTENZA

Certi componenti di questo prodotto e i relativi accessori contengono sostanze chimiche che lo Stato della California ritiene essere causa di cancro, malformazioni alla nascita e altri problemi relativi all'apparato riproduttivo. Dopo averli maneggiati, lavarsi le mani.

AVVERTENZA

Gli scarichi emessi da questo prodotto contengono sostanze chimiche che lo Stato della California ritiene suscettibili di generare malattie quali cancro, malformazioni alla nascita e altri problemi relativi all'apparato riproduttivo.

AVVERTENZA

I motori Briggs & Stratton non sono progettati per essere usati su: fun-kart; go-kart; veicoli per bambini, ricreativi o fuori strada; motociclette, prodotti a camera ad aria, velivoli o veicoli impiegati in eventi competitivi non approvati da Briggs & Stratton. Per informazioni su prodotti da competizione, visitare il sito www.briggsracing.com. Per l'impiego su quad e motoslitte, contattare Briggs & Stratton Engine Application Center, 1-866-927-3349. L'uso scorretto del motore può provocare lesioni gravi o la morte.

AVVERTENZA

Il carburante e i suoi vapori sono estremamente infiammabili ed esplosivi.

Incendi ed esplosioni possono provocare gravi ustioni o morte.

Quando si rabbocca il carburante

- Spegnerne il motore e lasciarlo raffreddare per almeno 2 minuti prima di rimuovere il tappo del carburante.
- Rifornire il serbatoio del carburante all'esterno e in un'area ben ventilata.
- Non mettere troppo carburante nel serbatoio. Per consentire l'espansione del carburante, non riempire al di sopra del fondo del collo del serbatoio.
- Tenere il carburante lontano da scintille, fiamme libere, fiamme pilota e altre fonti di ignizione.

- Controllare spesso linee del carburante, serbatoio, tappo e accessori per eventuali lesioni o perdite. Sostituire se necessario.
- Se il carburante si versa, attendere che sia evaporato prima di avviare il motore.

Quando si avvia il motore

- Assicurarsi che candela, marmitta, tappo del carburante e filtro dell'aria (se in dotazione) siano al loro posto e fissati.
- Non far girare il motore senza candela.
- Se il motore si ingolfia, impostare la valvola dell'aria (se presente) in posizione OPEN/RUN, spostare l'acceleratore (se presente) in posizione FAST e tentare l'avviamento fino a che il motore si avvia.

Quando si utilizza lo spazzaneve

- Non inclinare il motore o l'attrezzatura al punto da provocare la fuoriuscita del carburante.
- Non aprire la valvola dell'aria del carburatore per arrestare il motore.
- Non avviare o mettere in funzione il motore senza gruppo filtro dell'aria (se presente) o filtro dell'aria (se presente).

Quando si cambia l'olio

- Se si spurga l'olio dalla parte superiore del tubo di rifornimento, il serbatoio del carburante deve essere vuoto altrimenti il carburante stesso può versarsi con rischio di incendio o esplosione.

Quando si inclina l'unità per la manutenzione

- Quando si eseguono interventi di manutenzione che richiedono l'inclinazione dell'unità, il serbatoio del carburante, se montato sul motore, deve essere vuoto, altrimenti il carburante potrebbe fuoriuscire, causando incendi o esplosioni.

Quando si trasporta lo spazzaneve

- Trasportare con il serbatoio del carburante VUOTO o con la valvola di intercettazione del carburante in posizione CHIUSA.

Immagazzinaggio del dispositivo con il combustibile nel serbatoio

- Conservare lontano da forni, stufe, caldaie o altri dispositivi con fiamme pilota o altre fonti di accensione in grado di infiammare i vapori del carburante.



AVVERTENZA

L'avvio del motore produce scintille.

Le scintille possono accendere gas infiammabili presenti nelle vicinanze.

Le conseguenze potrebbero essere esplosione o incendio.

- In caso di perdita di metano o GLP nell'area, non avviare il motore.
- Non usare fluidi di avvio pressurizzati perché i vapori sono infiammabili.



AVVERTENZA

PERICOLO GAS VELENOSO. Lo scarico del motore contiene monossido di carbonio, un gas velenoso che può uccidere in pochi minuti. **NON si vede, non ha gusto o odore.** Anche se non si respirano i fumi di scarico, è possibile comunque essere esposti al monossido di carbonio. In caso di malessere, sensazione di malessere o debolezza durante l'utilizzo del prodotto, arrestare il motore e dirigersi **IMMEDIATAMENTE** verso l'aria fresca. Consultare un medico. Potrebbe essersi verificato un avvelenamento da monossido di carbonio.

- Utilizzare questo prodotto SOLO all'aperto, lontano da finestre, porte o condotti di aerazione per ridurre il rischio che il monossido di carbonio possa accumularsi e spinto all'interno di spazi chiusi occupati.
- Installare gli allarmi monossido di carbonio a batteria o inserire allarmi monossido di carbonio con riserva a batteria seguendo le istruzioni del fabbricante. Gli allarmi per il fumo non possono rilevare il monossido di carbonio.
- **NON** utilizzare il prodotto all'interno di abitazioni, garage, cantine, locali interrati, capanni o altri spazi parzialmente chiusi, anche se dotati di ventole oppure porte e finestre aperte per la ventilazione. Il monossido di carbonio può accumularsi velocemente in tali spazi e ristagnare per ore, anche quando la macchina è stata spenta.
- Usare **SEMPRE** questo prodotto sottovento e puntare lo scarico del motore lontano da spazi occupati.



AVVERTENZA

Il ritorno rapido del cavo di avviamento (contraccolpo) strapperà la mano e il braccio verso il motore prima che si possa lasciare andare della manovella.

Ciò può causare rotture ossee, fratture, contusioni o distorsioni.

- Per avviare il motore, tirare lentamente l'impugnatura della fune finché non si sente una certa resistenza, quindi tirarla con forza per evitare il contraccolpo.
- Prima di avviare il motore, disinserire tutte le attrezzature esterne e gli eventuali carichi dal motore.
- I componenti ad accoppiamento diretto come lame, giranti, pulegge, pignoni, ecc. debbono essere saldamente bloccati alla PTO.



AVVERTENZA

Le parti rotanti possono toccare o intrappolare mani, piedi, capelli, indumenti o accessori.

Pericolo di amputazione o gravi lacerazioni.

- Utilizzare sempre l'attrezzatura con i carter protettivi in posizione.
- Tenere lontani mani e piedi dalle parti rotanti.
- Legare i capelli lunghi e togliere i gioielli.
- Non indossare indumenti larghi, stringhe lunghe o altri oggetti che potrebbero rimanere impigliati.



AVVERTENZA

I motori accesi generano calore. Alcune parti del motore, specialmente la marmitta, diventano estremamente calde.

In caso di contatto sussiste il rischio di gravi ustioni.

Detriti infiammabili come foglie, erba, arbusti, ecc. possono prendere fuoco.

- Prima di toccare, lasciare che marmitta, cilindro del motore e alette si raffreddino.
- Rimuovere i detriti accumulati dalla zona di marmitta e cilindro.
- La sezione 4442 del codice sulle risorse pubbliche della California vieta l'uso o l'operazione della macchina in zone forestali, zone cespugliose o zone erbose a meno che il sistema di scarico non sia dotato di parascintille, come definito nella sezione 4442, conservati in perfetta funzionalità. Esistono leggi simili anche in altri stati o zone federali. Contattare il costruttore originale o un rivenditore autorizzato per avere un apposito parascintille per il sistema di scarico installato su questo motore.



AVVERTENZA

Una scintilla accidentale può provocare un incendio oppure una scossa elettrica.

L'avvio accidentale può provocare schiacciamento, amputazione o lacerazione degli arti.

Pericolo d'incendio

Prima di eventuali regolazioni o riparazioni:

- Scollegare il cavo della candela e tenerlo lontano dalla stessa.
- Scollegare il terminale negativo della batteria (solamente sui motori ad avviamento elettrico).
- Usare solo attrezzi corretti.
- Non manomettere le molle del regolatore, i collegamenti o altre parti per aumentare la velocità del motore.
- I ricambi devono essere uguali e installati nella stessa posizione dei componenti originali. Ricambi diversi potrebbero non funzionare altrettanto bene, danneggiare l'unità e causare lesioni alle persone.
- Non battere il volano con un martello o un oggetto metallico in quanto si potrebbe lesionare ed esplodere durante il funzionamento.

In caso di verifica della scintilla:

- Usare un tester approvato per candele.
- Non controllare le scintille con la candela rimossa.

Caratteristiche e comandi

Comandi del motore

Confrontare l'illustrazione (Figura: 1, 2, 3, 4) con il motore in modo da prendere familiarità con la posizione dei vari comandi e funzioni.

- A. Numeri di identificazione del motore **Modello - Tipo - Codice**
- B. Candela
- C. Filtro dell'aria, a ciclone
- D. Filtro dell'aria, basso profilo
- E. Asta di livello
- F. Rabbocco olio
- G. Filtro olio
- H. Tappo di scarico dell'olio
- I. Sensore di pressione dell'olio
- J. Protezione per le dita
- K. Starter elettrico
- L. Solenoide di avviamento
- M. Regolatore/raddrizzatore
- N. Carburatore - Modelli di carburatore
- O. Radiatore dell'olio (se presente)
- P. Silenziatore (se presente)
- Q. Pompa del carburante
- R. Interruttore dello starter ¹
- S. Comando della farfalla ¹
- T. Controllo dell'acceleratore - Modelli di carburatore ¹
- U. Filtro del carburante (se presente)

¹ Alcuni motori e attrezzature sono dotati di comandi a distanza. Consultare il manuale della specifica attrezzatura per la posizione e il funzionamento dei comandi a distanza.

Simboli dei comandi del motore e relativi significati

Simbolo	Significato	Simbolo	Significato
	Velocità motore - VELOCE		Velocità motore - LENTO
	Velocità motore - STOP		ON - OFF
	Avvio motore - Comando dell'aria CHIUSO		Avvio motore - Comando dell'aria APERTO
	Tappo del carburante Rubinetto del carburante - APERTO		Rubinetto del carburante - CHIUSO
	Livello di carburante - massimo Non riempire troppo		

Funzionamento

Suggerimenti per l'olio

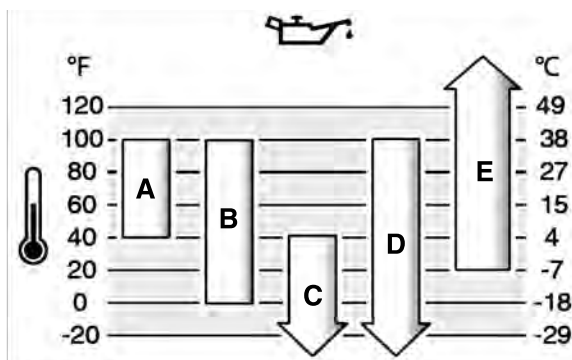
Capacità d'olio: Consultare il *Specifiche*.

NOTA

Il motore viene fornito dalla Briggs & Stratton senza olio. Costruttori o rivenditori potrebbero aver aggiunto dell'olio al motore. Prima di avviare il motore per la prima volta, assicurarsi di verificare il livello dell'olio e di aggiungerne se del caso secondo le istruzioni di questo manuale. Se si avvia il motore senza olio, i danni non potranno essere riparati e non saranno coperti dalla garanzia.

Per le migliori prestazioni, si consiglia l'uso di oli con certificato di garanzia Briggs & Stratton. Altri oli detergenti di alta qualità sono accettabili se classificati per servizio SF, SG, SH, SJ o superiore. Non utilizzare additivi speciali.

Le temperature esterne determinano la corretta viscosità dell'olio per il motore. Utilizzare lo schema per selezionare la migliore viscosità in base all'intervallo di temperature esterne previste. I motori di numerose attrezzature per esterni funzionano bene con olio sintetico 5W-30. Per attrezzature operate a temperature elevate, l'olio sintetico Vanguard™ 15W-50 fornisce la migliore protezione.



A	SAE 30 - Al di sotto di 40 °F (4 °C) l'uso di SAE 30 avrà come conseguenza un avvio difficile.
B	10W-30 - Al di sopra di 80 °F (27 °C) l'uso di 10W-30 può causare maggiore consumo di olio. Controllare il livello dell'olio più di frequente.
C	5W-30
D	Synthetic 5W-30
E	Vanguard™ Synthetic 15W-50

Controllare il livello dell'olio

Vedere Figura: 5

Prima di rabboccare o controllare il livello dell'olio

- Accertarsi che il motore sia a livello.
- Eliminare tutti i detriti dalla zona di riempimento dell'olio.

1. Togliere l'astina di livello (A, Figura 5) e pulire con un panno pulito.
2. Installare completamente l'astina (A, Figura 5).
3. Estrarre l'astina e controllare il livello dell'olio. Il livello dell'olio corretto è nella parte superiore dell'indicatore di pieno (B, Figura 5) sull'asta.
4. Se il livello dell'olio è basso, rabboccarlo lentamente nel motore (C, Figura 5). **Non riempire troppo.** Dopo aver aggiunto l'olio, attendere un minuto prima di verificarne nuovamente il livello.
5. Installare completamente l'astina (A, Figura 5).

Sistema di protezione olio basso (se presente)

Alcuni motori sono provvisti di un sensore di olio basso. Se il livello dell'olio è basso, il sensore attiverà una spia di allarme o arresterà il motore. Arrestare il motore e seguire la seguente procedura prima di riavviarlo.

- Accertarsi che il motore sia a livello.
- Controllare il livello dell'olio. Consultare la sezione *Controllare il livello dell'olio*.
- Se il livello dell'olio è basso, rabboccare con la quantità d'olio necessaria. Avviare il motore e accertarsi che la spia di allarme (se presente) non si accenda.

- Se il livello dell'olio non è basso, non avviare il motore. Contattare un Centro di Assistenza Autorizzato Briggs & Stratton per risolvere il problema dell'olio.

Raccomandazioni relative al carburante

È necessario che la benzina sia conforme a questi requisiti:

- Benzina pulita, nuova, senza piombo.
- Minimo 87 ottani/87 AKI (91 RON). Per uso ad altitudini elevate vedere in seguito.
- È ritenuta accettabile la benzina con un contenuto di etanolo (miscela benzina-alcol) fino al 10%.

NOTA non usare benzine non approvate, come E15 ed E85. Non aggiungere olio alla benzina né modificare il motore affinché possa operare con carburanti alternativi. L'uso di carburanti non approvati provoca danni ai componenti del motore, che non sono coperti da garanzia.

Per proteggere l'impianto del carburante da formazioni gommose, miscelare al carburante uno stabilizzante. Vedere **Stoccaggio**. Non tutti i carburanti sono uguali. Se si verificano problemi di avviamento o le prestazioni dell'unità non sono soddisfacenti, cambiare il fornitore o la marca del carburante. Questo motore è certificato per funzionare a benzina. Sistema di controllo delle emissioni di scarico: EM (Engine Modifications).

Altitudine elevata

Ad altitudini superiori a 1524 metri (5.000 piedi), è accettabile benzina con numero minimo di ottani 85/85 AKI (89 RON).

Per i motori carburati, è richiesta la regolazione per altitudine elevata per mantenere le performance. Il funzionamento senza regolazione causa degrado delle prestazioni, maggiore consumo di carburante e maggiori emissioni. Per informazioni sulla regolazione ad altitudini elevate, rivolgersi a un rivenditore autorizzato Briggs & Stratton. Se è impostata la regolazione per altitudini elevate, si consiglia di far funzionare del motore ad altitudini inferiori a 762 metri circa (2.500 piedi).

Per i motori a Iniezione elettronica (EFI), non occorrono regolazioni per altitudine elevata.

Rifornimento di carburante

Vedere figura: 6



AVVERTENZA Il carburante e i suoi vapori sono estremamente infiammabili ed esplosivi.

Un incendio oppure un'esplosione possono provocare gravi ustioni o morte.

Durante il rifornimento di carburante

- Spegner il motore e lasciarlo raffreddare per almeno 2 minuti prima di togliere il tappo del serbatoio del carburante.
 - Rifornire il serbatoio del carburante all'esterno e in un'area ben ventilata.
 - Non mettere troppo carburante nel serbatoio. Per consentire l'espansione del carburante, non riempire al di sopra del fondo del collo del serbatoio.
 - Tenere il carburante lontano da scintille, fiamme libere, fiamme pilota e altre fonti di ignizione.
 - Controllare spesso linee del carburante, serbatoio, tappo e accessori per eventuali lesioni o perdite. Sostituire se necessario.
 - Se il carburante si versa, attendere che sia evaporato prima di avviare il motore.
1. Liberare la zona intorno al tappo del carburante da sporco e detriti. Togliere il tappo del carburante.
 2. Rifornire il serbatoio (A, Figura 6) con il carburante. Per consentire l'espansione del carburante, non riempire al di sopra del fondo del collo del serbatoio (B).
 3. Rimontare il tappo del carburante.

Avviare e arrestare il motore

Vedere Figura: 7

Avviamento del motore



AVVERTENZA Il carburante e i suoi vapori sono estremamente infiammabili ed esplosivi.

Un incendio oppure un'esplosione possono provocare gravi ustioni o morte.

Quando si avvia il motore

- Assicurarsi che candela, marmitta, tappo del carburante e filtro dell'aria (se in dotazione) siano al loro posto e fissati.

- Non far girare il motore senza candela.
- Se il motore si ingolfia, impostare la ventola dell'aria (se presente) in posizione APRI/MARCIA, spostare l'acceleratore (se presente) in posizione VELOCE e far girare fino a che il motore si avvia.



PERICOLO GAS VELENOSO. Lo scarico del motore contiene monossido di carbonio, un gas velenoso che può uccidere in pochi minuti. **NON** si vede, non ha gusto o odore. Anche se non si respirano i fumi di scarico, è possibile comunque essere esposti al monossido di carbonio. Se ci si sente male, con una sensazione di malessere o debolezza utilizzando il prodotto, arrestare il motore ed uscire SUBITO all'aria fresca. Rivolgersi ad un medico. Potrebbe essersi verificato un avvelenamento da monossido di carbonio.

- Utilizzare questo prodotto SOLO all'aperto, lontano da finestre, porte e ventole per ridurre il rischio che il monossido di carbonio si accumuli e possa incanalarsi in spazi non occupati.
- Montare allarmi monossido di carbonio a batteria o inserire allarmi monossido di carbonio con riserva a batteria seguendo le istruzioni del fabbricante. Gli allarmi per il fumo non possono rilevare il monossido di carbonio.
- NON utilizzare la macchina dentro casa, all'interno di garage, piani interrati, intercapedini, capanni o altri spazi parzialmente chiusi anche se si utilizzassero ventole o lasciassero aperte porte e finestre per garantire la ventilazione. Il monossido di carbonio può accumularsi velocemente in tali spazi e ristagnare per ore, anche quando la macchina è stata spenta.
- Usare SEMPRE questo prodotto sottovento e puntare lo scarico del motore lontano da spazi occupati.

NOTA Questo motore viene fornito da Briggs & Stratton senza olio. Prima di avviare il motore, assicurarsi di aggiungere olio secondo le istruzioni di questo manuale. Se si avvia il motore senza olio i danni non potranno essere riparati e non saranno coperti dalla garanzia.

Determinare il sistema di avviamento

Prima di avviare il motore, determinare quale tipo di sistema di avviamento è presente. Può essere uno dei seguenti tipi.

- **Sistema Electronic Fuel Injection (EFI):** È presente l'Iniezione elettronica del carburante. Non prevede il comando manuale.
- **Sistema starter:** Prevede un comando dell'aria da utilizzare per l'accensione a basse temperature. Alcuni modelli prevedono un comando separato dello starter, mentre altri modelli sono dotati di un comando combinato dello starter e dell'acceleratore. Questo tipo non è dotato di primer.

Nota: L'attrezzatura può essere dotata di comandi a distanza. Consultare il manuale della specifica attrezzatura per la posizione e il funzionamento dei comandi a distanza.

Sistema Electronic Fuel Injection (EFI)

1. Controllare l'olio del motore. Consultare la sezione **Controllare il livello dell'olio**.
2. Verificare che i comandi delle attrezzature, se presenti, siano disinnestati.
3. Spostare la valvola di chiusura del carburante (A, Figura 7), se presente, in posizione OPEN.
4. Portare la leva di comando dell'acceleratore (B, Figura 7), se presente, in posizione FAST. Far funzionare il motore nella posizione veloce.
5. Spingere l'interruttore di arresto (D, Figura 7), se presente, in posizione ON.
6. Portare l'interruttore del motorino di avviamento elettrico (E, Figura 7) sulla posizione ON o START.

NOTA Per prolungare la durata dello starter, usare cicli di avviamento brevi (al massimo, cinque secondi). Attendere un minuto prima di ripetere il tentativo di avviamento.

Nota: Se il motore non parte dopo ripetuti tentativi, contattare il rivenditore locale o visitare VanguardEngines.com o chiamare 1-800-999-9333 (negli USA).

Sistema starter

1. Controllare l'olio del motore. Consultare la sezione **Controllare il livello dell'olio**.
2. Verificare che i comandi delle attrezzature, se presenti, siano disinnestati.
3. Spostare la valvola di chiusura del carburante (A, Figura 7), se presente, in posizione OPEN.

- Portare la leva di comando dell'acceleratore (B, Figura 7), se presente, in posizione FAST. Far funzionare il motore nella posizione veloce.
- Spostare il comando dell'aria (C, Figura 7), o la combinazione comando dell'aria/valvola a farfalla, in posizione CLOSED.

Nota: Per avviare il motore con un impianto di alimentazione a secco (primo avviamento o in caso di esaurimento del carburante), è necessario tenere per più tempo il comando dell'aria in posizione di avviamento, per consentire alla pompa di alimentazione di adescare l'impianto di alimentazione.

- Spingere l'interruttore di arresto (D, Figura 7), se presente, in posizione ON.
- Portare l'interruttore a chiave (E, Figura 7) sulla posizione ON o START.
- Se il motore gira ma si spegne, spostare il comando dell'aria (C, Figura 7) in posizione OPEN per avviare il motore.

NOTA Per prolungare la durata dello starter, usare cicli di avviamento brevi (al massimo, cinque secondi). Attendere un minuto prima di ripetere il tentativo di avviamento.

- Appena il motore si è riscaldato, spostare il comando dell'aria (C, Figura 7) in posizione OPEN.

Nota: Se il motore non parte dopo ripetuti tentativi, contattare il rivenditore locale o visitare VanguardEngines.com o chiamare 1-800-999-9333 (negli USA).

Arrestare il motore



Il carburante e i suoi vapori sono estremamente infiammabili ed esplosivi.

Un incendio oppure un'esplosione possono provocare gravi ustioni o morte.

- Non aprire il comando dell'aria del carburatore per arrestare il motore.
- Interruttore d'arresto, se previsto:** Spostare l'interruttore di arresto (D, Figura 7) in posizione OFF.
Interruttore d'arresto, se previsto: Con il comando dell'acceleratore in posizione SLOW, portare l'interruttore a chiave (E, Figura 7) in posizione OFF. Rimuovere la chiave e conservarla in un luogo sicuro fuori dalla portata dei bambini.
 - Appena il motore si ferma, spostare la valvola di chiusura del carburante (A, Figura 7), se presente, in posizione CLOSED.

Manutenzione

NOTA Se durante la manutenzione il motore viene capovolto, il serbatoio del carburante, se montato sul motore, deve essere vuoto e il lato della candela deve essere verso l'alto. Se il serbatoio del carburante non è vuoto e il motore viene capovolto in qualunque altra direzione, può essere difficile l'avviamento a causa di contaminazione di olio o carburante nel filtro dell'aria e/o nella candela.



Quando si eseguono interventi di manutenzione che richiedono l'inclinazione dell'unità, il serbatoio del carburante deve essere vuoto, altrimenti si può verificare una perdita di carburante, causando incendi o esplosioni.

Si consiglia di contattare un rivenditore autorizzato Briggs & Stratton per tutte le operazioni di assistenza e manutenzione del motore e dei relativi componenti.

NOTA Tutti i componenti che compongono il motore in origine debbono rimanere montati nelle proprie sedi per un funzionamento corretto.



Una scintilla accidentale può provocare un incendio oppure una scossa elettrica.

L'avvio accidentale può provocare schiacciamento, amputazione o lacerazione degli arti.

Rischio di incendio

Prima di eventuali regolazioni o riparazioni

- Scollegare il cavo della candela e tenerlo lontano dalla stessa.
- Staccare il terminale negativo della batteria (solamente sui motori ad avviamento elettrico).

- Usare solo attrezzi corretti.
- NON manomettere le molle del regolatore, i leverismi o altre parti per aumentare la velocità del motore.
- I ricambi devono essere uguali e installati nella stessa posizione dei componenti originali. Ricambi diversi potrebbero non funzionare altrettanto bene, danneggiare l'unità e causare lesioni alle persone.
- Non battere il volano con un martello o un oggetto metallico in quanto si potrebbe lesionare ed esplodere durante il funzionamento.

In caso di verifica della scintilla

- Usare un tester approvato per candele.
- Non controllare le scintille con la candela rimossa.

Dichiarazione controllo emissioni

Solo personale o azienda che si occupa delle riparazioni dei motori in officina potranno procedere alla manutenzione, sostituzione o riparazione dei dispositivi e impianti di controllo delle emissioni. Per ottenere un servizio di controllo delle emissioni "gratuito", è necessario che il controllo stesso sia effettuato da un concessionario debitamente autorizzato dall'azienda. Consultare la Dichiarazione controllo emissioni.

Programma di manutenzione

Ogni 8 ore o giornalmente
<ul style="list-style-type: none"> Controllare il livello dell'olio motore Pulire l'area intorno al silenziatore e ai comandi
Ogni 100 ore oppure una volta l'anno
<ul style="list-style-type: none"> Sostituire le candele Cambiare l'olio motore Cambiare il filtro dell'olio (se presente) Eseguire la manutenzione sul filtro dell'aria ^{1,2} Pulire il prefiltro (se presente) ¹ Smontaggio del sistema di scarico
Ogni 250 ore
<ul style="list-style-type: none"> Controllare il gioco della punteria. Regolare se necessario.
Ogni 400 ore oppure una volta l'anno
<ul style="list-style-type: none"> Sostituire il filtro dell'aria ² Sostituire il filtro del carburante Smontaggio del sistema di raffreddamento ¹ Pulire le alette del radiatore dell'olio ¹
Ogni 600 ore oppure una volta l'anno
<ul style="list-style-type: none"> Sostituire il filtro di sicurezza (se presente)

¹ Pulire più frequentemente in condizioni di lavoro particolarmente gravose o nel caso in cui siano presenti detriti nell'aria.

² Ogni terzo cambio del filtro dell'aria, sostituire il filtro interno di sicurezza (se presente).

Sistema Electronic Fuel Injection (EFI)

Il sistema EFI sottopone a monitoraggio la temperatura e il regime del motore e la tensione della batteria per l'avviamento e il riscaldamento del motore. Il sistema non necessita di regolazioni. In caso di problemi di avviamento o funzionamento, contattare un Centro di Assistenza Autorizzato Briggs & Stratton.

NOTA Per evitare danni al sistema EFI, osservare sempre le seguenti avvertenze.

- Non avviare mai il motore se i cavi della batteria sono allentati.
- Portare la chiave in posizione OFF prima di scollegare, rimuovere e/o installare la batteria.
- Non usare mai un caricabatterie per avviare il motore.
- Non scollegare mai i cavi della batteria quando il motore è acceso.
- In sede di collegamento dei cavi della batteria, collegare sempre il cavo positivo (+) per primo, quindi il cavo negativo (-) alla batteria.
- Durante la ricarica della batteria, portare l'interruttore di avviamento in posizione OFF, quindi scollegare il cavo negativo (-) della batteria.
- Non spruzzare acqua direttamente sulla centralina elettronica.

Carburatore e velocità del motore

Non apportare mai modifiche al carburatore o alla velocità del motore. Il carburatore è impostato in fabbrica in modo da operare il modo efficiente nella maggior parte delle condizioni. Non manomettere le molle del regolatore, i collegamenti o altre parti per aumentare la velocità del motore. In caso siano necessarie delle regolazioni, rivolgersi a un Centro di assistenza autorizzato Briggs & Stratton.

NOTA Il produttore dell'attrezzatura specifica la velocità massima per il motore quando viene installato sull'attrezzatura. **Non superare** tale velocità. Se non si è sicuri della velocità massima dell'attrezzatura o quale velocità del motore sia stata impostata in fabbrica, contattare il Centro di assistenza autorizzato Briggs & Stratton per assistenza. Per un funzionamento sicuro e corretto dell'attrezzatura, la velocità del motore deve essere regolata solo da un tecnico dell'assistenza qualificato.

Manutenzione della candela

Vedere figura: 8

Controllare la distanza (A, Figura 8) con uno spessore (B). Se necessario, ripristinare la distanza. Montare e serrare la candela al valore di coppia prescritto. Per i valori della coppia di serraggio o della distanza, consultare la sezione **Specifiche**.

Nota: **In alcuni paesi per legge è obbligatorio l'uso di candele con resistore per la soppressione dei segnali di accensione. Se il motore, in origine, era dotato di una candela con resistore, sostituirla con una dello stesso tipo.

Smontaggio del sistema di scarico



I motori accesi generano calore. Alcune parti del motore, specialmente la marmitta, diventano estremamente calde.

In caso di contatto sussiste il rischio di gravi ustioni.

I detriti infiammabili, ad esempio foglie, erba, paglia, ecc. possono incendiarsi.

- Prima di toccare, lasciare che marmitta, cilindro del motore e alette si raffreddino.
- Rimuovere i detriti accumulati dalla zona di marmitta e cilindro.
- La sezione 4442 del codice sulle risorse pubbliche della California vieta l'uso o l'operazione della macchina in zone forestali, zone cespugliose o zone erbose a meno che l'unità non sia dotata di parascintille, come definito nella sezione 4442, conservati in perfetta funzionalità. Esistono leggi simili anche in altri stati o zone federali. Contattare un rivenditore autorizzato per avere un apposito parascintille per il sistema di scarico installato su questo motore.

Rimuovere i detriti accumulati dalla zona di marmitta e cilindro. Controllare il silenziatore per verificare l'eventuale presenza di incrinature, corrosione o altri danni. Rimuovere il parascintille, se in dotazione, e ispezionarlo per verificare se è danneggiato o se è presente un'occlusione provocata dal carbonio. Se si riscontrano danni, installare i pezzi di ricambio prima di mettere in funzione.



I ricambi devono essere uguali e installati nella stessa posizione dei componenti originali. Ricambi diversi potrebbero non funzionare altrettanto bene, danneggiare l'unità e causare lesioni alle persone.

Cambiare l'olio motore

Vedere Figura: 9, 10, 11

L'olio esausto è un rifiuto pericoloso e deve essere smaltito correttamente. Non smaltire con i rifiuti domestici. Rivolgersi alle autorità locali, al centro assistenza o al rivenditore per le strutture di smaltimento/riciclo.

Rimuovere l'olio

1. Con il motore spento ma ancora caldo, scollegare i fili della candela (D, Figura 9) e tenerli lontani dalla candela (E).
2. Togliere l'astina (A, Figura 10).
3. Rimuovere il tappo di drenaggio dell'olio (F, Figura 11). Spurgare l'olio in un contenitore approvato.
4. Dopo aver scaricato l'olio, rimontare il tappo di drenaggio dell'olio e serrare (F, Figura 11).

Cambiare il filtro dell'olio, se presente

Alcuni motori sono provvisti di un filtro dell'olio. Per gli intervalli di sostituzione, consultare la **Tabella di manutenzione**.

1. Scaricare l'olio dal motore. Consultare la sezione **Rimuovere l'olio**.
2. Togliere il filtro dell'olio (G, Figura 11) e smaltirlo secondo le normative.
3. Prima di installare il nuovo filtro dell'olio, lubrificare la guarnizione del filtro dell'olio con un velo di olio fresco e pulito.
4. Installare il filtro dell'olio e serrare manualmente finché la guarnizione con tocca l'adattatore del filtro dell'olio, quindi serrare il filtro dell'olio di altri 1/2 - 3/4 di giro.
5. Rifornire di olio. Consultare la sezione **Rifornire di olio**.
6. Avviare e far girare il motore. Quando il motore si è riscaldato, controllare che non siano presenti perdite d'olio.
7. Fermare il motore e controllare il livello dell'olio. Il livello dell'olio corretto è nella parte superiore dell'indicatore di pieno (B, Figura 10) sull'asta.

Rifornire di olio

- Accertarsi che il motore sia a livello.
- Eliminare tutti i detriti dalla zona di riempimento dell'olio.
- Per la capacità dell'olio, vedere la sezione **Specifiche**.

1. Togliere l'astina di livello (A, Figura 10) e pulire con un panno pulito.
2. Rabboccare lentamente l'olio nel motore (C, Figura 10). **Non riempire troppo.** Dopo aver aggiunto l'olio, attendere un minuto prima di verificarne nuovamente il livello.
3. Installare e serrare l'astina (A, Figura 10).
4. Estrarre l'astina e controllare il livello dell'olio. Il livello dell'olio corretto è nella parte superiore dell'indicatore di pieno (B, Figura 10) sull'asta.
5. Reinstallare e serrare l'astina di livello (A, Figura 10).
6. Collegare il/i filo/i della candela (D, Figura 9) alla candela stessa (E).

Manutenzione del filtro dell'aria

Vedere Figura: 12, 13



Il carburante e i suoi vapori sono estremamente infiammabili ed esplosivi.

Un incendio oppure un'esplosione possono provocare gravi ustioni o morte.

- Mai avviare né far funzionare il motore con il gruppo di filtraggio dell'aria (se presente) o il filtro dell'aria (se presente) rimosso.

NOTA Non usare aria pressurizzata né solventi per pulire il filtro. L'aria compressa può danneggiare il filtro, mentre i solventi possono corrodere.

Consultare la **Tabella di manutenzione** per i requisiti di assistenza.

Diversi modelli usano un filtro in schiuma o in carta. Alcuni modelli sono anche dotati di un prefiltro che può essere lavato e riutilizzato. Confrontare le illustrazioni in questo manuale con il tipo installato sul motore ed eseguire la manutenzione come segue.

Filtro aria in carta

1. Aprire i fermi (A, Figura 12) e rimuovere il coperchio (B).
2. Rimuovere il filtro dell'aria (C, Figura 12).
3. Per togliere i detriti, battere delicatamente il filtro dell'aria su una superficie dura. Se il filtro dell'aria è troppo sporco, sostituirlo con uno nuovo.
4. Per rimuovere il filtro di sicurezza (D, Figura 12), se presente, estrarlo con cautela dal corpo del filtro dell'aria (E). Prestare attenzione affinché non penetrino sporcizia o detriti nel motore.
5. Installare il nuovo filtro di sicurezza (D, Figura 12) nel corpo del filtro dell'aria (E).
6. Installare il filtro dell'aria (C, Figura 12) sul filtro di sicurezza (D).
7. Installare il coperchio (B, Figura 12) e chiudere i fissanti (A).

Filtro aria in schiuma

1. Rimuovere i fermi (A, Figura 13).
2. Rimuovere il coperchio (B, Figura 13).
3. Rimuovere i fermi (C, Figura 13) e lo scodellino (D).
4. Rimuovere il filtro dell'aria (E, Figura 13).
5. Rimuovere il prefiltro (F, Figura 13), se presente, dal filtro dell'aria (E).

- Per togliere i detriti, battere delicatamente il filtro dell'aria (E, Figura 13) su una superficie dura. Se il filtro dell'aria è troppo sporco, sostituirlo con uno nuovo.
- Lavare il prefiltro (F, Figura 13), se presente, con detergente liquido e acqua. Farlo asciugare completamente. **Non** ungere il prefiltro.
- Montare il prefiltro a secco (F, Figura 13), se presente, sul filtro dell'aria (E).
- Installare il filtro dell'aria (E, Figura 13) e fissarlo con lo scodellino (D) e i fermi (C).
- Installare il coperchio (B, Figura 13) e fissarlo con i fissanti (A). Assicurarsi che i fissanti siano stretti.

Manutenzione dell'impianto carburante

Vedere Figura: 14



Il carburante e i suoi vapori sono estremamente infiammabili ed esplosivi.

Incendi ed esplosioni possono provocare gravi ustioni o morte.

- Tenere il carburante lontano da scintille, fiamme libere, fiamme pilota e altre fonti di ignizione.
- Controllare spesso linee del carburante, serbatoio, tappo e accessori per eventuali lesioni o perdite. Sostituire se necessario.
- Prima di pulire o sostituire il filtro del carburante, scaricare il serbatoio o chiudere la valvola di intercettazione del carburante.
- Se il carburante si versa, attendere che sia evaporato prima di avviare il motore.
- I ricambi devono essere uguali e installati nella stessa posizione dei componenti originali.

Filtro del carburante, se previsto

- Prima di sostituire il filtro del carburante (A, Figura 14), se presente, svuotare il serbatoio del carburante o chiudere la valvola di intercettazione del carburante. In caso contrario, il carburante potrebbe fuoriuscire e causare incendi o esplosioni.
- Utilizzare delle pinze per stringere le alette (B, Figura 14) sulle fascette (C), quindi far scorrere le fascette lontano dal filtro del carburante (A). Ruotare e sfilare i tubi di alimentazione del carburante (D) dal filtro del carburante.
- Controllare che i tubi di alimentazione del carburante (D, Figura 14) non presentino crepe o perdite. Sostituire se necessario.
- Sostituzione del filtro del carburante (A, Figura 14) con un filtro di ricambio originale.
- Fissare i tubi di alimentazione del carburante (D, Figura 14) con le fascette (C) come illustrato.

Smontaggio del sistema di raffreddamento

Vedere Figura: 15, 16



I motori accesi generano calore. Alcune parti del motore, specialmente la marmitta, diventano estremamente calde.

In caso di contatto sussiste il rischio di gravi ustioni.

I detriti infiammabili, ad esempio foglie, erba, paglia, ecc. possono incendiarsi.

- Prima di toccare, lasciare che marmitta, cilindro del motore e alette si raffreddino.
- Rimuovere i detriti accumulati dalla zona di marmitta e cilindro.

NOTA Non utilizzare acqua per pulire il motore. L'acqua potrebbe contaminare il sistema di carburante. Utilizzare un pennello o un panno asciutto per pulire il motore.

Questo motore è raffreddato ad aria. La presenza o detriti può restringere il flusso dell'aria e causare il surriscaldamento del motore, e ridurre le prestazioni e la durata del motore.

- Utilizzando una spazzola o un panno asciutto, rimuovere i detriti dalla griglia di aspirazione dell'aria (A, Figura 15).
- Tenere sempre puliti la tiranteria, le molle ed i comandi (B, Figura 15, 16).
- Tenere pulita anche l'area attorno e dietro la marmitta (C, Figura 15, 16) da materiali infiammabili.
- Accertarsi che le alette del radiatore dell'olio (D, Figura 15) siano prive di sporcizia e detriti.
- Allentare i fermi (E, Figura 16) fino a sentire un clic. Togliere il pannello (F) ed eliminare sporco e detriti dall'area. Assicurarsi di pulire anche il lato inferiore del pannello.

- Installare il pannello (F, Figura 16) e fissarlo con i fermi (E). Serrare i fermi fino a sentire un clic.

Nel tempo, è possibile che si accumulino dei detriti nelle alette di raffreddamento del cilindro e causano il surriscaldamento del motore. Questi detriti possono essere osservati senza smontare parzialmente il motore. Per l'ispezione e la pulizia del sistema di raffreddamento ad aria, contattare un Centro di assistenza autorizzato Briggs & Stratton conformemente alle raccomandazioni della Tabella di manutenzione.

Rimessaggio



Il carburante e i suoi vapori sono estremamente infiammabili ed esplosivi.

Incendi ed esplosioni possono provocare gravi ustioni o morte.

Immagazzinaggio del dispositivo con il combustibile nel serbatoio

- Conservare lontano da forni, stufe, caldaie o altri dispositivi con fiamme pilota o altre fonti di accensione in grado di infiammare i vapori del carburante.

Impianto carburante

Vedere Figura: 17

Mettere in rimessaggio il motore a livello (posizione operativa normale). Riempimento del serbatoio del carburante (A, Figura 17) con carburante. Per consentire l'espansione del carburante, non riempire oltre la base del collo del serbatoio (B).

Se conservato per oltre 30 giorni, il carburante può scadere. La benzina vecchia causa la formazione di acido e depositi gommosi nell'impianto carburante o in componenti essenziali del carburatore. Per mantenere il carburante fresco usare **Stabilizzatore per carburante Advanced Formula Fuel Treatment & Stabilizer Briggs & Stratton**, disponibile nei punti vendita di ricambi originali Briggs & Stratton.

Non è necessario scaricare il carburante dal motore se viene aggiunto uno stabilizzante secondo le istruzioni. Prima del rimessaggio, far girare il motore per due (2) minuti per far circolare lo stabilizzante in tutto l'impianto carburante.

Se la benzina contenuta nel motore non è stata trattata con uno stabilizzante, deve essere scaricata in un contenitore approvato. Far funzionare il motore finché non si arresta per mancanza di carburante. Si consiglia l'uso di uno stabilizzante nel contenitore per mantenere la freschezza.

Olio motore

Con il motore ancora caldo, sostituire l'olio motore. Consultare la sezione **Cambiare l'olio motore**.

Individuazione e correzione dei problemi

Per assistenza, contattare il rivenditore locale o visitare VanguardEngines.com o chiamare **1-800-999-9333** (negli USA).

Specifiche

Modello: 540000	
Cilindrata	54.68 ci (896 cc)
Alesaggio	3.366 in (85,5 mm)
Corsa	3.071 in (78,0 mm)
Capacità olio	78 - 80 oz (2,3 - 2,4 L)
Distanza elettrodo candele	.030 in (.76 mm)
Coppia di serraggio candela	180 lb-in (20 Nm)
Intraferro indotto	.005 - .008 in (.13 - .20 mm)
Gioco punteria valvola di aspirazione	.004 - .006 in (.10 - .15 mm)
Gioco punteria valvola di scarico	.007 - .009 in (.18 - .23 mm)

Modello: 610000, 61E100	
Cilindrata	60.60 ci (993 cc)
Alesaggio	3.366 in (85,5 mm)

Modello: 610000, 61E100	
Corsa	3.406 in (86,5 mm)
Capacità olio	78 - 80 oz (2,3 - 2,4 L)
Distanza elettrodo candele	.030 in (.76 mm)
Coppia di serraggio candela	180 lb-in (20 Nm)
Intraferro indotto - Modelli di carburatore	.005 - .008 in (.13 - .20 mm)
Gioco punteria valvola di aspirazione	.004 - .006 in (.10 - .15 mm)
Gioco punteria valvola di scarico	.007 - .009 in (.18 - .23 mm)

La potenza del motore diminuisce del 3,5% ogni 300 metri (1.000 piedi) sul livello del mare e dell'1% ogni 5,6 °C (10 °F) al di sopra di 25 °C (77 °F). Il motore funzionerà in modo soddisfacente ad un'angolazione massima di 15°. Fare riferimento al Manuale dell'operatore dell'attrezzatura per i limiti di funzionamento in sicurezza sui tratti in pendenza.

Pezzi di ricambio - Modello: 540000, 610000, 61E100	
Ricambio	Codice
Filtro aria a ciclone (Figura 12)	841497
Filtro di sicurezza a ciclone (Figura 12)	821136
Filtro dell'aria, basso profilo (Figura 13)	692519
Prefiltro, basso profilo (Figura 13)	692520
Olio - SAE 30	100028
Filtro olio	842921
Stabilizzatore per carburante Advanced Formula Fuel Treatment & Stabilizer	100117, 100120
Filtro del carburante	691035
Candela con resistore	491055
Candela al platino di lunga durata	5066
Chiave per candele	19374
Tester di scintilla	19368

Si consiglia di contattare un rivenditore autorizzato Briggs & Stratton per tutte le operazioni di assistenza e manutenzione del motore e dei relativi componenti.

Potenza nominale: La potenza nominale lorda per i singoli modelli di motore a benzina è etichettata in conformità con lo standard Small Engine Power & Torque Rating Procedure codice J1940 di SAE (Society of Automotive Engineers) ed è classificata conformemente a SAE J1995. I valori di coppia sono calcolati a 2600 RPM per i motori con la dicitura "rpm" in etichetta e a 3060 RPM per tutti gli altri motori; i valori di potenza in cavalli sono calcolati a 3600 RPM. Le curve di potenza lorda possono essere visualizzate sul sito www.BRIGGSandSTRATTON.COM. I valori di potenza netti sono ricavati con marmitta e filtro dell'aria installati mentre i valori di potenza lordi sono ricavati senza questi accessori. La potenza lorda reale del motore sarà superiore a quella netta ed è influenzata, fra altri fattori, da condizioni operative ambientali e variabilità da motore a motore. Data la vasta gamma di prodotti su cui sono installati i motori, il motore a benzina potrebbe non sviluppare la potenza lorda nominale quando usato su una data apparecchiatura. La differenza è dovuta a diversi fattori compreso, ma non esclusivamente, a varietà dei componenti del motore (filtro dell'aria, marmitta, carica, raffreddamento, carburatore, pompa del carburante, ecc.), restrizioni applicative, condizioni operative ambientali (temperatura, umidità, altitudine) e variabilità da motore a motore. A causa di limitazioni alla produzione e di capacità, Briggs & Stratton potrà sostituire questo motore di serie con un motore di potenza nominale superiore.

Garanzia

Garanzia per il motore Briggs & Stratton

Valida a partire da gennaio 2017

Garanzia limitata

Briggs & Stratton garantisce che, durante il periodo di garanzia specificato di seguito, provvederà alla riparazione o alla sostituzione gratuita di parti che presentino difetti di materiale o di lavorazione o entrambi. Le spese di trasporto del prodotto di cui si richiede la sostituzione o riparazione in garanzia sono a carico dell'acquirente. La presente garanzia risulta valida per il periodo di tempo indicato nel presente documento ed è soggetta alle condizioni indicate di seguito. Per l'assistenza in garanzia, trovare il più vicino Centro di Assistenza Autorizzato nel nostro localizzatore dei rivenditori all'indirizzo BRIGGSandSTRATTON.COM. L'acquirente dovrà contattare il Centro di assistenza autorizzato e mettere a disposizione di quest'ultimo il prodotto per l'ispezione e la verifica.

Non vi è alcun'altra garanzia esplicita. Le garanzie implicite, comprese quelle di commerciabilità e idoneità ad uno scopo particolare, sono limitate al periodo di

garanzia indicato di seguito o a quanto consentito dalla legge. La responsabilità per danni incidentali o consequenziali è esclusa nella misura prevista dalla legge. Alcuni Stati o Paesi non permettono limitazioni al periodo di validità di una garanzia implicita e alcuni stati o paesi non permettono l'esclusione o la limitazione della responsabilità per danni incidentali o indiretti, per cui le limitazioni sopra riportate potrebbero non applicarsi al vostro caso. La presente garanzia concede all'utente specifici diritti legali e lo stesso potrebbe avere altri diritti che variano da stato a stato o da Paese a Paese ⁴.

Termini standard di garanzia 1, 2, 3

Marca / Tipo di prodotto	Uso privato	Utente commerciale
Vanguard™; Serie commerciale	36 mesi	36 mesi
Motori con manicotti in ghisa Dura-Boret™	24 mesi	12 mesi
Tutti gli altri motori	24 mesi	3 mesi

¹I presenti costituiscono i termini standard di garanzia, ma occasionalmente può essere prevista un'ulteriore copertura della garanzia, non determinata al momento della pubblicazione. Per un elenco completo dei termini di garanzia attuali applicati al proprio motore, visitare il sito Web.BRIGGSandSTRATTON.com, oppure contattare il centro di assistenza autorizzato Briggs & Stratton.

²La garanzia non è applicabile ai motori o ai dispositivi utilizzati per fornire potenza e non come accessorio o ai generatori di standby usati a fini commerciali. I motori utilizzati per corse sportive o su veicoli commerciali o per noleggio non sono coperti dalla garanzia.

³Vanguard installato sui generatori in standby: 24 mesi per uso privato, nessuna garanzia per uso commerciale. Vanguard installato su veicoli utilitari: 24 mesi per uso privato, 24 mesi per uso commerciale. Serie commerciale con data di produzione precedente a luglio 2017, 24 mesi per uso privato, 24 mesi per uso commerciale.

⁴In Australia - I nostri prodotti hanno garanzie che non possono essere escluse ai sensi della Australian Consumer Law. L'utente ha diritto alla sostituzione o al rimborso in caso di guasto grave e a un indennizzo per ogni altra perdita o danno ragionevolmente prevedibile. L'utente ha pertanto diritto alla riparazione o alla sostituzione della merce qualora questa non sia di qualità accettabile e il guasto non sia equiparabile a un guasto grave. Per l'assistenza in garanzia, trovare il centro di assistenza autorizzato più vicino usando il nostro strumento di ricerca concessionari sul sito web.BRIGGSandSTRATTON.com, chiamando il numero 1300 274 447, inviando una e-mail a salesenquiries@briggsandstratton.com.au o scrivendo a Briggs & Stratton Australia Pty Ltd, 1 Moorebank Avenue, Moorebank, NSW, Australia, 2170.

Il periodo di garanzia decorre dalla data di acquisto originale del primo acquirente, sia esso un utente consumatore o professionale. Per "uso privato" si intende l'utilizzo effettuato da un acquirente al dettaglio presso la propria residenza. Per "uso commerciale" si intendono tutti gli altri usi, compresi gli usi commerciali, che generano reddito o il noleggio. Dopo che un motore è stato utilizzato ad uso professionale, sarà sempre classificato come motore per uso professionale ai fini di questa polizza di garanzia.

Conservare lo scontrino di ricevuta dell'acquisto. Qualora l'acquirente non sia in grado di fornire la prova della data dell'acquisto iniziale nel momento della richiesta di assistenza, il periodo di garanzia verrà determinato utilizzando la data di produzione. Ai fini dell'applicazione della garanzia, non è necessaria la registrazione del prodotto Briggs & Stratton.

Informazioni sulla garanzia

La presente garanzia copre esclusivamente i difetti del motore dovuti a difetti di materiale e/o lavorazione e non la sostituzione o il rimborso dell'attrezzatura sulla quale il motore può essere installato. La presente garanzia non copre la manutenzione di routine, le regolazioni, le correzioni o la normale usura. Inoltre, la presente garanzia non si applica in caso di alterazioni o modifiche del motore o in caso di rimozione o manomissione del numero di serie. La presente garanzia non copre danni al motore o problemi di performance causati da:

1. L'uso di pezzi non originali Briggs & Stratton;
2. Azionamento del motore con un olio lubrificante insufficiente, impuro o di grado scorretto;
3. L'uso di carburante impuro o vecchio, benzine formulate con un contenuto di etanolo superiore al 10% o l'uso di carburanti alternativi, come GPL o gas naturale su motori che non erano originariamente progettati/fabbricati da Briggs & Stratton per lavorare con simili carburanti;
4. Sporizia penetrata all'interno del motore a causa di manutenzione e rimontaggio non corretti del filtro dell'aria;
5. L'urto contro un oggetto solido da parte della lama di taglio di una falciatrice rotativa, adattatori delle lame, giranti o altri dispositivi accoppiati all'albero motore allentati o installati scorrettamente oppure a causa di un'eccessiva tensione della cinghia trapezoidale;
6. Parti combinate o gruppi quali frizioni, trasmissioni, attrezzature di controllo, ecc., non forniti da Briggs & Stratton;
7. Surriscaldamento causato da residui d'erba, sporizia e detriti o nidi di roditori che tappano o intasano le alette di raffreddamento o l'area del volano o dall'azionamento del motore senza ventilazione sufficiente;

8. Vibrazioni eccessive causate da velocità eccessiva, montaggio del motore allentato, lame di taglio o giranti allentate o sbilanciate o accoppiamento improprio dei componenti dell'attrezzatura sull'albero motore;
9. Uso improprio, assenza di manutenzione di routine, spedizione, manipolazione o magazzinaggio dell'attrezzatura o installazione scorretta del motore.

L'assistenza in garanzia è disponibile esclusivamente presso i rivenditori Briggs & Stratton autorizzati. Trovate il Centro di assistenza autorizzato più vicino sulla mappa all'indirizzo BRIGGSandSTRATTON.COM o chiamate il 1-800-233-3723 (negli USA).

80004537 (Rev. C)

Not for
Reproduction

Deze handleiding bevat veiligheidsinformatie om u bewust te maken van de gevaren en risico's die verband houden met motoren, evenals hoe deze te voorkomen. Daarnaast leest u in deze handleiding hoe u de motor op de juiste manier gebruikt en onderhoudt. Omdat Briggs & Stratton niet noodzakelijkerwijs weet welke machine deze motor aandrijft, is het belangrijk dat u deze instructies en die van de machine die deze motor aandrijft leest en begrijpt. **Bewaar deze originele instructies voor toekomstig gebruik.**

Opmerking: De afbeeldingen en illustraties in deze handleiding zijn uitsluitend bedoeld als referentie en kunnen afwijken van uw eigen model. Neem bij vragen contact op met uw dealer.

Noteer ten behoeve van vervangingsonderdelen of technische ondersteuning hieronder het motormodel, het type en de codenummers, evenals de aanschafdatum. Deze nummers staan op uw motor (zie het deel **Kenmerken en bedieningsfuncties**).

Aankoopdatum	
Motormodel - Type - Uitrusting	
Serienummer motor	

Zoek de 2D-streepjescode die op sommige motoren staat. Wanneer u deze code met een voor 2D geschikt apparaat scant, wordt de website geopend waar u ondersteuningsinformatie voor dit product vindt. Daarbij kunnen er kosten voor data worden aangerekend. In sommige landen kan de online ondersteuningsinformatie niet beschikbaar zijn.



Symbol	Betekenis	Symbol	Betekenis
	Brandgevaar		Explosiegevaar.
	Brandgevaar		Gevaar voor giftige dampen
	Gevaar voor hete oppervlakken		Gevaar voor geluid - Oorbescherming aanbevolen bij langdurige blootstelling.
	Gevaar voor weggeworpen onderwerpen - Draag oogbescherming.		Explosiegevaar.
	Gevaar voor bevriezing		Gevaar voor terugslag
	Gevaar voor amputatie - bewegende onderdelen		Gevaar voor chemicaliën
	Gevaar voor thermische warmte		Corrosief

Recyclingsinformatie

		Alle verpakkingen, gebruikte olie en batterijen moeten worden gerecycled conform de geldende overheidsvoorschriften.
--	--	--

Veiligheid van de gebruiker

Veiligheidssymbool en signaalwoorden

Het veiligheidssymbool wordt gebruikt om veiligheidsinformatie aan te duiden over gevaren die kunnen leiden tot lichamelijk letsel. Een signaalwoord (GEVAAR, WAARSCHUWING of VOORZICHTIG) wordt samen met het veiligheidssymbool gebruikt om te wijzen op de waarschijnlijkheid en de mogelijke ernst van het letsel. Ook kan een gevarensymbool worden gebruikt om het soort gevaar aan te duiden.

GEVAAR duidt op een gevaar dat, indien het niet wordt voorkomen, **zal resulteren in de dood of ernstig letsel.**

WAARSCHUWING duidt op een gevaar dat, indien het niet wordt voorkomen, **kan resulteren in de dood of ernstig letsel.**

VOORZICHTIG duidt op een gevaar dat, indien het niet wordt voorkomen, **kan resulteren in licht of matig letsel.**

OPGEPAST duidt op een situatie die **kan resulteren in schade aan het product.**

Gevarensymbolen en hun betekenis

Symbol	Betekenis	Symbol	Betekenis
	Veiligheidsinformatie over gevaren die kunnen leiden tot letsel.		Zorg dat u de gebruiksaanwijzing hebt gelezen en begrepen voordat u de eenheid bedient of onderhoud aan de eenheid uitvoert.

Veiligheidsmededelingen



WAARSCHUWING

Bepaalde onderdelen van dit product en de bijbehorende accessoires bevatten chemische stoffen waarvan bekend is in de staat Californië dat ze kanker, geboortefwijkingen en andere voortplantingsrisico's veroorzaken. Was uw handen na werken met de accu.



WAARSCHUWING

De motoruitlaatgassen van dit toestel bevatten chemische stoffen waarvan bekend is in de staat Californië dat ze kanker of geboortefwijkingen veroorzaken of andere voortplantingsrisico's inhouden.



WAARSCHUWING

De motoren van Briggs & Stratton zijn niet bedoeld voor en mogen niet worden gebruikt met: funkarts, go-karts, kinder-, vrijetijds- of terreinvoertuigen (ATV's), motorfietsen, hovercrafts, luchtvaartproducten of voertuigen die worden gebruikt bij wedstrijden die niet zijn goedgekeurd door Briggs & Stratton. Ga voor meer informatie over producten voor racewedstrijden naar www.briggsracing.com. Neem bij gebruik met voertuigen voor openbare voorzieningen en buggy's contact op met Briggs & Stratton Engine Application Center, 1-866-927-3349. Verkeerd gebruik van motoren kan leiden tot ernstig of zelfs fataal letsel.



WAARSCHUWING



Brandstof en brandstofdampen zijn uiterst ontvlambaar en explosief.

Brand of explosie kan ernstige brandwonden of dodelijk letsel veroorzaken.

Bij het toevoegen van brandstof

- Schakel de motor uit en laat de motor ten minste gedurende 2 minuten afkoelen voordat u de benzinedop verwijdt.
- Vul de brandstoftank buiten of in een goed geventileerde ruimte.
- Vul de brandstoftank niet te veel. Vul de brandstoftank niet tot boven de onderkant van de nek zodat de brandstof kan uitzetten.

- Houd de brandstof uit de buurt van vonken, open vlammen, waakvlammen, hitte en andere ontstekingsbronnen.
- Controleer brandstofleidingen, tank, vuldop en koppelingen regelmatig op barsten of lekken. Vervang deze, indien noodzakelijk.
- Indien brandstof wordt gemorst, dient u te wachten tot deze verdampt is voordat u de motor start.

Bij het starten van motor

- Zorg dat de bougie, de geluiddemper, de benzinedop en het luchtfilter (indien aanwezig) aanwezig zijn en goed vastzitten.
- Probeer de motor niet te starten als de bougie verwijderd is.
- Als de motor verzuipt, zet de choke (indien aanwezig) in de stand OPEN/DRAAIEN, zet de gashendel (indien aanwezig) in de stand SNEL en start de motor totdat deze aanslaat.

Tijdens het bedienen van de machine

- De motor of machine NIET kantelen tot een hoek die veroorzaakt dat brandstof gemorst wordt.
- Choke de carburateur niet om de motor te stoppen.
- Start of laat de motor niet draaien als de lucht filtereenheid (indien aanwezig) of het luchtfilter (indien aanwezig) is verwijderd.

Olie verversen

- Als u de olie aftapt uit de olievul buis boven, dan moet de brandstoftank leeg zijn, anders kan er brandstof uitlekken wat kan leiden tot brand en explosie.

Wanneer de unit gekanteld wordt voor onderhoud

- Wanneer er onderhoud wordt uitgevoerd waarvoor de eenheid moet worden gekanteld, dient de brandstoftank leeg te zijn. Anders kan er brandstof uit lekken, wat kan leiden tot brand en explosie.

Transporteren van de machine

- Vervoeren met brandstoftank LEEG of met brandstofafsluitklep in de GESLOTEN stand.

Bij het opslaan van brandstof of machines met brandstof in de tank

- Opslaan uit de buurt van fornuizen, kachels, geisers of boilers of andere apparaten die een waakvlam bevatten of andere ontstekingsbronnen, omdat deze brandstofdampen kunnen doen ontbranden.



WAARSCHUWING

Starten van motor gaat gepaard met vonkvorming.

Vonkvorming kan ontvlambare gasen in de buurt doen ontsteken.

Dit kan leiden tot een explosie of brand.

- Indien zich aardgas of LPG lekkage in de buurt bevindt, de motor niet starten.
- Gebruik geen onder druk staande startvloeistoffen omdat de dampen brandbaar zijn.



WAARSCHUWING

GEVAAR VAN GIFTIG GAS. Motoruitlaatgassen bevatten koolmonoxide, een giftig gas dat u binnen enkele minuten kan doden. U kunt het NIET zien, ruiken of proeven. Ook al ruikt u de uitlaatgassen niet, u kunt toch zijn blootgesteld aan koolmonoxide. Als u zich tijdens het gebruik van dit apparaat misselijk, duizelig of zwak begint te voelen, schakel het dan uit, en ga **METEEN** de frisse lucht in. Raadpleeg een arts. Het kan zijn dat u koolmonoxidevergiftiging heeft.

- Gebruik dit product ALLEEN buiten en ver weg van ramen, deuren en ventilatieopeningen om te voorkomen dat koolmonoxidegas zich kan verzamelen en in deze bewoonde ruimten terecht kan komen.
- Plaats koolmonoxidemelders op batterijen of melders op netvoeding met reservebatterij volgens de instructies van de fabrikant. Rookmelders kunnen geen koolmonoxide detecteren.
- Gebruik dit product NIET in huizen, garages, kelders, kruipruimten, schuurtjes of andere gedeeltelijk afgesloten ruimten, ook niet met gebruik van ventilatoren of met geopende deuren en of ramen als ventilatie. In deze ruimten kan snel koolmonoxide worden gevormd en dit kan uren blijven hangen, zelfs als het product al is uitgeschakeld.
- Plaats dit product ALTIJD met de wind mee en richt de motoruitlaat altijd van gebruikte ruimtes weg.



WAARSCHUWING

Wanneer het startkoord zich snel terugtrekt (terugslag), worden uw hand en arm sneller naar de motor getrokken dan u kunt loslaten.

Gebroken botten, kneuzingen of verstuikingen kunnen het resultaat zijn.

- Trek bij het starten van de motor het startkoord langzaam uit tot er weerstand gevoeld wordt en trek dan snel om terugslag te voorkomen.
- Verwijder alle externe machine-/motorbelastingen voordat de motor gestart wordt.
- Direct verbonden machinecomponenten zoals, maar niet beperkt tot, messen, aandrijvingen, poelies, tandwielen enz., moeten stevig bevestigd zijn.



WAARSCHUWING

Handen, voeten, haren, kleding of accessoires kunnen tegen ronddraaiende onderdelen aan komen of er tussen beklemd raken.

Traumatische amputatie of ernstige verscheuring kan het resultaat zijn.

- De machine gebruiken met afschermingen op hun plaats.
- Houd handen en voeten weg van draaiende onderdelen.
- Bind lang haar bij elkaar en doe uw sieraden af.
- Draag geen loszittende kleding, hangende koorden of zaken die verstrikt kunnen raken.



WAARSCHUWING

Draaiende motoren produceren warmte. Motoronderdelen, vooral geluiddempers, worden uiterst heet.

Dit kan, bij aanraking, leiden tot ernstige brandwonden.

Brandbare resten, zoals bladeren, gras, snoeihout enz. kunnen vlam vatten.

- Laat de geluiddemper, motorcilinder en vinnen afkoelen voor u ze aanraakt.
- Verwijder opgehoopt vuil uit de gebieden rondom de geluiddemper en de cilinder.
- Overeenkomstig de California Public Resource Code Section 4442 is het verboden de motor te gebruiken in de buurt van een bos-, kreupelhout- of grasgebied tenzij het uitlaatsysteem is uitgerust met een vonkenvanger, zoals gedefinieerd in Section 4442, die in goede staat wordt gehouden. Andere staten en federale jurisdicties kunnen soortgelijke wetgeving hebben. Neem contact op met de fabrikant, verkoper of dealer om een vonkenvanger te verkrijgen die geschikt is voor het op deze motor gemonteerde uitlaatsysteem.



WAARSCHUWING

Onbedoelde vonken kunnen resulteren in brand of een elektrische schok.

Ongewild starten kan leiden tot bekneling, traumatische amputatie of scheurwonden.

Brandgevaar

Vóór het uitvoeren van instellingen of reparaties:

- Maak de bougie kabel los en houd de kabel op veilige afstand van de ontstekingsbougie.
- Koppel de minkabel van de accu los (alleen bij maaiers met elektrisch starten).
- Gebruik alleen correct gereedschap.
- Verander niets aan de reguleur, koppelingen of andere onderdelen om het motortoerental te verhogen.
- Vervangende onderdelen moeten identiek zijn aan en op dezelfde positie worden geïnstalleerd als de originele onderdelen. Andere onderdelen zullen minder goed werken, kunnen de maaier beschadigen en kunnen letsel veroorzaken.
- Sla niet met een hamer of hard voorwerp tegen het vliegwiel omdat het vliegwiel anders later uit elkaar kan vliegen tijdens gebruik.

Bij het testen op vonkvorming:

- Gebruik een goedgekeurde bougie tester.
- Controleer niet op vonkvorming wanneer de bougie verwijderd is.

Kenmerken en bedieningselementen

Bedieningselementen van de motor

Vergelijk de illustratie (Afbeelding: 1, 2, 3, 4) met uw motor om uzelf vertrouwd te maken met de plaats van de diverse functies en bedieningselementen.

- A. Motoridentificatienummers **Model - Type - Code**
- B. Bougie
- C. Luchtfilter, cycloon
- D. Luchtfilter, laag profiel
- E. Peilstok
- F. Olievulopening
- G. Oliefilter
- H. Olieaftapplug
- I. Oliehuksensor
- J. Vingerbescherming
- K. Elektrische starter
- L. Starterspoel
- M. Regelaar/gelijkrichter
- N. Carburateur - Carburateurmodellen
- O. Oliekoeler (waar aanwezig)
- P. Geluiddemper (indien aanwezig)
- Q. Brandstofpomp
- R. Starterschakelaar ¹
- S. Gashendel ¹
- T. Chokeregeling - Carburateurmodellen ¹
- U. Brandstoffilter (indien aanwezig)

¹ Sommige motoren en apparatuur hebben afstandsbedieningen. Kijk in de betreffende handleiding voor de locatie en de bediening van de afstandsbediening.

Machinebedieningssymbolen en hun betekenis

Symbool	Betekenis	Symbool	Betekenis
	Motortoerental - SNEL		Motortoerental - LANGZAAM
	Motortoerental - STOP		AAN - UIT
	Motor starten - choke GESLOTEN		Motor starten - choke OPEN
	Brandstofvuldop Brandstofkraan - OPEN		Brandstofkraan - GESLOTEN
	Brandstofniveau - Maximum Voeg niet te veel brandstof toe		

Bediening

Aanbevolen olie

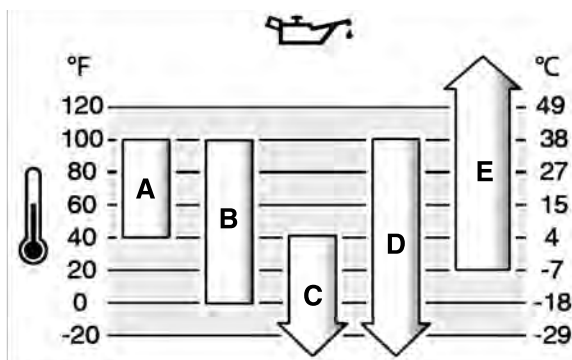
Oliecapaciteit: Bekijk de *Specificaties*.

OPGEPAST

Deze motor werd door Briggs & Stratton zonder olie op transport gezet. Machinefabrikanten of dealers hebben mogelijk olie aan de motor toegevoegd. Voordat u de motor voor de eerste keer start, moet u het olieniveau controleren en de motor met olie vullen volgens de instructies in deze handleiding. Als u de motor zonder olie start, zal deze onherstelbaar worden beschadigd. Dit valt niet onder de garantie.

Voor de beste prestaties raden wij het gebruik van Briggs & Stratton Warranty Certified oliesoorten aan. U kunt ook andere hoogwaardige soorten reinigingsolie gebruiken, als deze geschikt zijn voor SF, SG, SH, SJ of hoger. Gebruik geen speciale additieven.

De buitentemperaturen bepalen de juiste olie viscositeit voor de motor. Bepaal met behulp van de tabel de beste viscositeit voor het verwachte buitentemperatuurbereik. Motoren op tuinmachines opereren goed met 5W-30 Synthetische olie. Voor apparatuur die wordt gebruikt onder hoge temperaturen biedt Vanguard™ 15W-50 Synthetische olie de beste bescherming.



A	SAE 30 - Onder 4°C (40°F) zal het gebruik van SAE 30 leiden tot problemen bij het starten.
B	10W-30 - Boven 27°C (80°F) kan het gebruik van 10W-30 leiden tot een hoger oliegebruik. Controleer het oliepeil vaker.
C	5W-30
D	Synthetisch 5W-30
E	Vanguard™ Synthetisch 15W-50

Oliepeil controleren

Zie Afbeelding: 5

Voor dat de olie bijgevuld of gecontroleerd wordt

- Zorg ervoor dat de motor waterpas staat.
- Verwijder eventueel vuil uit het olievluggebied.

1. Verwijder de peilstok (A, Afbeelding 5) en veeg deze met een schone doek af.
2. Steek de peilstok volledig naar binnen (A, Afbeelding 5).
3. Verwijder de peilstok en controleer het oliepeil. Het oliepeil is juist als het bovenaan bij de indicator voor vol (B, Afbeelding 5) op de peilstok staat.
4. Als het oliepeil laag is, voeg dan langzaam olie toe via de olievulopening (C, Afbeelding 5). **Niet te veel bijvullen.** Wacht na het bijvullen één minuut en controleer het oliepeil dan nogmaals.
5. Steek de peilstok volledig naar binnen (A, Afbeelding 5).

Oliepeilcontrolesysteem (indien aanwezig)

Sommige motoren zijn voorzien van een oliepeilsensor. Als het oliepeil laag is, activeert de sensor een waarschuwingslampje of wordt de motor uitgeschakeld. Schakel de motor uit en voer deze stappen uit voordat u de motor weer start.

- Zorg ervoor dat de motor waterpas staat.
- Controleer het oliepeil. Zie het deel **Oliepeil controleren**.
- Als het oliepeil laag is, moet u de juiste hoeveelheid olie toevoegen. Start de motor en controleer of het waarschuwingslampje (indien aanwezig) niet is geactiveerd.
- Als het oliepeil niet laag is, start de motor niet. Raadpleeg een erkende Briggs & Stratton-dealer voor instructies over de afstelling voor grote hoogtes.

Aanbevolen brandstof

De brandstof moet aan deze eisen voldoen:

- Schone, verse, loodvrije benzine.
- Minimaal 87 octaan/87 AKI (91 RON). Zie hieronder voor gebruik op grote hoogtes.
- Benzine met tot 10% ethanol (gasahol) is toegestaan.

OPGEPAST Gebruik geen benzine die niet is goedgekeurd zoals E15 en E85. Meng geen olie in de benzine en pas de motor niet aan voor alternatieve brandstoffen. Het gebruik van niet-goedgekeurde brandstoffen zal schade veroorzaken aan onderdelen van de motor. Dit wordt niet gedekt door de garantie.

Voeg een brandstofstabilisator aan de brandstof toe om het brandstofsysteem tegen gromvorming te beschermen. Zie **Opslag**. Niet alle brandstoffen zijn gelijk. Verander bij start- of prestatieproblemen van tankstation of merk. Deze motor is gecertificeerd om op benzine te lopen. Het emissieregelsysteem voor deze motor is EM (Engine Modifications).

Grote hoogte

Op hoogtes van meer dan 1.524 meter (5.000 voet) is benzine met minimaal 85 octaan/85 AKI (89 RON) toegestaan.

Motoren met carburateur moeten worden afgesteld om hun prestaties te behouden. Gebruik zonder deze afstelling veroorzaakt slechtere prestaties, een hoger brandstofverbruik en toegenomen emissies. Raadpleeg een erkende Briggs & Stratton-dealer voor instructies over de afstelling voor grote hoogtes. Het gebruik van de motor op hoogtes van minder dan 762 meter met de set voor grote hoogtes wordt niet aanbevolen.

Motoren met elektronische brandstofinjectie (EFI) hoeven niet voor grote hoogtes te worden afgesteld.

Brandstof bijvullen

Zie Afbeelding 6



Brandstof en brandstofdampen zijn uiterst brandbaar en explosief.

Brand of explosie kan ernstige brandwonden of de dood veroorzaken.

Bij het bijvullen van brandstof

- Schakel de motor uit en laat de motor ten minste gedurende 2 minuten afkoelen voordat u de benzinedop verwijderd.
 - Vul de brandstoftank buiten of in een goed geventileerde ruimte.
 - Vul de brandstoftank niet te veel. Vul de brandstoftank niet tot boven de onderkant van de hals, zodat de brandstof kan uitzetten
 - Houd de brandstof uit de buurt van vonken, open vlammen, waakvlammen, hitte en andere ontstekingsbronnen.
 - Controleer brandstofleidingen, tank, vuldop en koppelingen regelmatig op barsten of lekken. Vervang deze, indien noodzakelijk
 - Indien brandstof wordt gemorst, dient u te wachten tot deze verdamp is voordat u de motor start.
1. Reinig het gebied rond de tankdop. Verwijder de tankdop.
 2. Vul de brandstoftank (A, Afbeelding 6) met brandstof. Vul de brandstoftank niet tot boven de onderkant van de nek zodat de brandstof kan uitzetten.
 3. Draai de tankdop weer vast.

De motor starten en stoppen

Zie Afbeelding: 7

De motor starten



Brandstof en brandstofdampen zijn uiterst brandbaar en explosief.

Brand of explosie kunnen ernstige brandwonden of de dood veroorzaken.

Bij het starten van motor

- Zorg dat de bougie, de geluiddemper, de benzinedop en het luchtfilter (indien aanwezig) op hun plaats zijn en goed vastzitten.
- Probeer de motor niet te starten terwijl de bougie verwijderd is.
- Als de motor verzuipt, zet de choke (indien aanwezig) in de stand OPEN/DRAAIEN, zet de gashendel (indien aanwezig) in de stand SNEL en start de motor totdat deze aanslaat.



GEVAAR VAN GIFTIG GAS. Motoruitlaatgassen bevatten koolmonoxide, een giftig gas dat u binnen enkele minuten doodt. U kunt het NIET zien, ruiken of proeven. Ook al ruikt u de uitlaatgassen niet, u kunt toch zijn blootgesteld aan koolmonoxide. Als u zich tijdens het gebruik van dit product misselijk, duizelig of zwak begint te voelen, schakel het product dan uit en ga ONMIDDELIJK de frisse lucht in. Raadpleeg een arts. Het kan zijn dat u koolmonoxidevergiftiging heeft.

- Gebruik dit product ALLEEN buiten, ver uit de buurt van vensters, deuren en ventilatieopeningen om te voorkomen dat zich koolmonoxidegas verzamelt en naar gebruikte ruimten wordt gezogen.
- Plaats koolmonoxidemelders met batterijen of melders op netvoeding met reservebatterij volgens de instructies van de fabrikant. Rookmelders kunnen geen koolmonoxide detecteren.
- Gebruik dit product NIET in huizen, garages, kelders, kruipruimten, schuurtjes of andere gedeeltelijk afgesloten ruimten, ook niet met gebruik van ventilatoren of met geopende deuren en of ramen als ventilatie. In deze ruimten kan snel koolmonoxide worden gevormd en dit kan uren blijven hangen, zelfs als het product al is uitgeschakeld
- Plaats dit product ALTIJD met de wind mee en richt de motoruitlaat altijd weg van gebruikte ruimtes.

OPGEPAST Deze motor werd door Briggs & Stratton zonder olie verzonden. Voordat u de motor start, moet u de motor met olie vullen volgens de instructies in deze handleiding. Als u de motor zonder olie start, raakt deze onherstelbaar beschadigd. Dit valt niet onder de garantie.

Het startsysteem bepalen

Voordat u de motor start, moet u eerst het type startsysteem op uw motor bepalen. Uw motor heeft een van de volgende typen.

- **Systeem voor elektronische brandstofinjectie (Electronic Fuel Injection - EFI):** Dit systeem bevat Electronic Fuel Injection. Het heeft geen choke of voorinspuiting (primer).
- **Chokesysteem:** Dit systeem heeft een choke voor het starten bij lage temperaturen. Sommige modellen hebben een aparte chokeregeling, andere modellen hebben een gecombineerde choke-/gasregeling. Dit type heeft geen voorinspuitingssysteem.

Opmerking: Sommige apparaten hebben een afstandsbediening. Kijk in de betreffende handleiding voor de locatie en de bediening van de afstandsbediening.

Systeem voor elektronische brandstofinjectie (Electronic Fuel Injection - EFI)

1. Controleer de motorolie. Zie het deel **Het oliepeil controleren**.
2. Zorg ervoor dat aandrijvingsbedieningen, indien aanwezig, zijn ontkoppeld.
3. Zet de brandstofkraan (A, Afbeelding 7) (indien aanwezig) in de stand OPEN.
4. Zet de gashendel (B, Afbeelding 7) (indien aanwezig) in de stand SNEL. Bedien de motor in de stand SNEL.
5. Druk de stopschakelaar (D, Afbeelding 7) (indien aanwezig) in de stand AAN.
6. Zet de elektrische contactschakelaar (E, Afbeelding 7) in de stand AAN of START.

OPGEPAST Start altijd kort (maximaal vijf seconden) om de levensduur van de startmotor te verlengen. Wacht één minuut tussen startcycli.

Opmerking: Indien de motor na herhaalde pogingen niet start, neem dan contact op met uw dealer of ga naar **VanguardEngines.com** of bel **1-800-999-9333** (in de VS).

Chokesysteem

1. Controleer de motorolie. Zie het deel **Het oliepeil controleren**.
2. Zorg ervoor dat aandrijvingsbedieningen, indien aanwezig, zijn ontkoppeld.
3. Zet de brandstofkraan (A, Afbeelding 7) (indien aanwezig) in de stand OPEN.
4. Zet de gashendel (B, Afbeelding 7) (indien aanwezig) in de stand SNEL. Bedien de motor in de stand SNEL.
5. Zet de chokeregeling (C, Afbeelding 7), of de gecombineerde choke/gaslepel, in de stand GESLOTEN.

Opmerking: Om de motor te starten met een droog brandstofsysteem (eerste keer starten of na het opraken van de brandstof), zal extra starttijd in de choke-positie vereist zijn om te starten. Dit zal de brandstofpomp de tijd geven om het brandstofsysteem aan te zuigen.

- Druk de stopschakelaar (D, Afbeelding 7) (indien aanwezig) in de stand AAN.
- Draai de startsleutel (E, Afbeelding 7) naar de stand AAN of START.
- Als de motor aanslaat, maar niet blijft draaien, zet de chokeregeling (C, Afbeelding 7) dan in de stand OPEN om de motor te starten.

OPGEPAST Start altijd kort (maximaal vijf seconden) om de levensduur van de startmotor te verlengen. Wacht één minuut tussen startcycli.

- Zet de chokeregeling (C, Afbeelding 7) in de stand OPEN terwijl de motor opwarmt.

Opmerking: Indien de motor na herhaalde pogingen niet start, neem dan contact op met uw dealer of ga naar VanguardEngines.com of bel **1-800-999-9333** (in de VS).

De motor stoppen



WAARSCHUWING

Brandstof en brandstofdampen zijn uiterst brandbaar en explosief.

Brand of explosie kunnen ernstige brandwonden of de dood veroorzaken.

- De carburateur niet choken om de motor te stoppen.
- Stopschakelaar (indien aanwezig):** Zet de stopschakelaar (D, Afbeelding 7) in de stand UIT.
Contactschakelaar (waar aanwezig): Draai de startsleutel (E, Afbeelding 7) naar de stand UIT terwijl de gashendel in de stand LANGZAAM staat. Verwijder de sleutel en bewaar deze op een veilige plaats buiten bereik van kinderen.
 - Nadat de motor stopt, moet de brandstofkraan (A, Afbeelding 7), indien aanwezig, in de stand GESLOTEN worden gezet.

Onderhoud

OPGEPAST Als de motor tijdens het onderhoud wordt gekanteld, moet de brandstoftank leeg zijn en moet de bougiekant omhoog wijzen. Als de benzinetank niet leeg is of als de motor een andere kant op wordt gekanteld, kan starten lastig worden omdat het luchtfilter en/of de bougie dan vervuild kan zijn door olie of benzine.



WAARSCHUWING

Wanneer er onderhoud wordt uitgevoerd waarvoor de unit gekanteld moet worden, dient de brandstoftank leeg te zijn, anders kan er brandstof uitlekken, wat kan leiden tot brand en explosie.

Wij adviseren dat u voor al het onderhoud en alle service aan de motor en de motoronderdelen een geautoriseerde Briggs & Stratton-dealer raadpleegt.

OPGEPAST Alle componenten die zijn gebruikt om deze motor te bouwen moeten op hun plaats blijven voor een juiste werking.



WAARSCHUWING

Onbedoelde vonkvorming kan resulteren in brand of een elektrische schok.

Onbedoeld starten kan leiden tot beknelling, amputatie of rijtwonden.

Brandgevaar

Vóór het uitvoeren van afstellingen of reparaties:

- Maak de bougiekabel los en houd de kabel op veilige afstand van de ontstekingsbougie.
- Ontkoppel de accu bij de negatieve aansluiting (alleen motoren met elektrostart).
- Gebruik alleen correct gereedschap.
- Verander niets aan reguleerveren, verbindingstangen of andere onderdelen om het motortoerental te verhogen.
- Vervangende onderdelen moeten identiek zijn aan en op dezelfde positie worden geïnstalleerd als de originele onderdelen. Andere onderdelen zullen minder goed werken, kunnen de eenheid beschadigen en kunnen letsel veroorzaken
- Sla niet met een hamer of hard voorwerp tegen het vliegwiel omdat het vliegwiel anders later tijdens bedrijf kan barsten.

Bij het testen op vonkvorming:

- Gebruik een goedgekeurde bougie tester.
- Controleer niet op vonkvorming wanneer de bougie verwijderd is.

Onderhoud aan de emissieregeling

Onderhoud, vervanging en reparatie van de apparatuur en systemen voor de emissieregeling mogen worden uitgevoerd door een persoon of bedrijf gespecialiseerd in de reparatie van niet op de weg gebruikte motoren. Het onderhoud van de emissieregeling kan zonder kosten worden uitgevoerd door een erkende dealer. Zie de verklaringen voor emissieregeling.

Onderhoudsschema

Iedere 8 uur of dagelijks
<ul style="list-style-type: none"> Oliepeil motor controleren Reinigen rond geluiddemper en bedieningselementen
Iedere 100 uur of jaarlijks
<ul style="list-style-type: none"> Bougies vervangen Motorolie verversen Oliefilter vervangen (waar aanwezig) Onderhoud luchtfilter ^{1,2} Voorfilter reinigen (indien aanwezig) ¹ Onderhoud uitlaatsysteem
Iedere 250 uur
<ul style="list-style-type: none"> Klepspelings controleren. Indien noodzakelijk afstellen.
Iedere 400 uur of jaarlijks
<ul style="list-style-type: none"> Luchtfilter vervangen ² Brandstoffilter vervangen Koelsysteem onderhouden ¹ Ribben oliekoeler reinigen ¹
Iedere 600 uur of jaarlijks
<ul style="list-style-type: none"> Veiligheidsfilter vervangen (waar aanwezig)

¹ Vaker reinigen onder stoffige omstandigheden of wanneer zich veel zwevend vuil in de omgeving bevindt.

² Elke derde luchtfilter vervangen, vervang de binnenste veiligheidsfilter (indien aanwezig).

Systeem voor elektronische brandstofinjectie (Electronic Fuel Injection - EFI)

Het EFI-systeem bewaakt de motortemperatuur, motorsnelheid en accuspanning voor het starten van de motor en het opwarmen. Er zijn geen afstellingen op het systeem. Als er problemen optreden met de start of de werking, neem dan contact op met een erkende dealer van Briggs & Stratton.

OPGEPAST Zorg ervoor dat de stappen hieronder worden uitgevoerd. Het EFI-systeem kan anders beschadigd raken.

- Start de motor nooit als de accukabels loszitten.
- Draai de sleutel naar de stand UIT voordat de accu wordt losgekoppeld, verwijderd of geïnstalleerd.
- Gebruik nooit een acculader om de motor te starten.
- Koppel de accukabels nooit los terwijl de motor loopt.
- Bij aansluiting van de accukabels moet altijd eerst de positieve (+) kabel en daarna de negatieve (-) kabel op de accu worden aangesloten.
- Voordat de accu wordt opgeladen moet de contactsleutel naar de stand UIT worden gedraaid en de negatieve (-) accukabel van de accu worden losgekoppeld.
- Spuut water niet rechtstreeks op de Electronic Control Module.

Carburateur en motortoerental

Stel de carburateur of het motortoerental nooit af. De carburateur is in de fabriek afgesteld voor een efficiënte werking onder de meest gangbare omstandigheden. Verander niets aan de reguleerder, koppelingen of andere onderdelen om het motortoerental te verhogen. Als er afstellingen moeten worden uitgevoerd, neem contact op met een erkende Briggs & Stratton-servicedealer.

OPGEPAST De fabrikant van de apparatuur heeft het maximale toerental voor de motor zoals geïnstalleerd in de apparatuur gespecificeerd. **Overschrijd dit toerental niet.** Als u niet weet wat het maximale toerental van de apparatuur is of waarop het motortoerental in de fabriek is ingesteld, neem contact op met een erkende Briggs & Stratton-servicedealer. Voor een veilige en juiste bediening van de apparatuur mag het motortoerental uitsluitend worden afgesteld door een gekwalificeerde servicemonteur.

Voer onderhoud uit aan de bougie.

Zie Afbeelding 8

Controleer de elektrodeafstand (A, Afbeelding 8) met een draadkaliber (B). Stel zonodig de afstand bij. Installeer de bougie en draai deze vast met het aanbevolen aanhaalkoppel. Zie voor afstelling van de elektrodeafstand en het aanhaalkoppel het deel **Specificaties**.

Opmerking: *In sommige gebieden schrijven plaatselijke wetten het gebruik voor van weerstandsbougies om ontstekingsignalen te onderdrukken. Indien deze motor origineel was uitgerust met een weerstandsbougie, gebruik dan voor vervanging hetzelfde type bougie.

Onderhoud aan het uitlaatsysteem



WAARSCHUWING

Draaiende motoren produceren warmte. Motoronderdelen, vooral geluiddempers, worden zeer heet.

Ernstige brandwonden kunnen optreden bij contact.

Brandbaar vuil, zoals bladeren, gras en hout, kan in brand vliegen.

- Laat geluiddemper, motorcilinder en koelvinnen afkoelen voordat u ze aanraakt.
- Verwijder brandbare stoffen die zich in en rondom de geluiddemper en cilinder hebben opgehoopt.
- Overeenkomstig de California Public Resource Code Section 4442 is het verboden de motor te gebruiken in of in de buurt van bos-, kreupelhout- of grasgebied tenzij het uitlaatsysteem is uitgerust met een vonkenvanger, zoals gedefinieerd in Section 4442, die in goede staat wordt gehouden. In andere deelstaten of landen gelden mogelijk vergelijkbare wetten. Neem contact op met de oorspronkelijke fabrikant, detailhandelaar of dealer voor een vonkenvanger die ontworpen is voor het uitlaatsysteem dat op uw machine is geïnstalleerd.

Verwijder brandbare stoffen die zich in en rondom de geluiddemper en cilinder hebben opgehoopt. Inspecteer de uitlaat op barsten, corrosie of andere beschadiging. Verwijder de vonkenvanger, als de machine hiermee is uitgerust en inspecteer deze op beschadiging of koolverstopping. Als u beschadigingen aantreft, installeer dan vervangingsonderdelen voordat u het apparaat weer gebruikt.



WAARSCHUWING

Vervangende onderdelen moeten identiek zijn aan en op dezelfde positie worden geïnstalleerd als de originele onderdelen. Andere onderdelen zullen minder goed werken, kunnen de maaier beschadigen en kunnen letsel veroorzaken.

Motorolie verversen

Zie Afbeelding: 9, 10, 11

Gebruikte olie is een gevaarlijk afvalproduct en moet op de juiste manier worden afgedankt. Voer het niet met het huishoudelijk afval af. Raadpleeg de plaatselijke autoriteiten, het servicecentrum of uw dealer voor veilige afvoer-/recyclingbedrijven.

Olief verwijderen

1. Maak bij een uitgeschakelde, maar nog steeds warme motor de bougiekabel(s) (D, Afbeelding 9) los en houd deze kabels uit de buurt van de bougie(s) (E).
2. Verwijder de peilstok (A, Afbeelding 10).
3. Verwijder de olie-aftapplug (F, Afbeelding 11). Laat de olie in een goedgekeurde bak stromen.
4. Als de olie is afgetapt, plaats de olie-aftapplug (F, Afbeelding 11) en deze draai vast.

Het oliefilter vervangen, waar aanwezig

Sommige motoren zijn voorzien van een oliefilter. Zie voor de vervangingsintervallen het **Onderhoudsschema**.

1. Tap de olie af uit de motor. Zie het deel **Olief afdalen**.

2. Verwijder het oliefilter (G, afbeelding 11) en gooi dit op de juiste manier weg.
3. Smeer voordat u een nieuw oliefilter monteert de pakking van het oliefilter lichtjes in met verse, schone olie.
4. Installeer het oliefilter met de hand totdat de pakking de houder van het oliefilter raakt en draai het oliefilter dan nog 1/2 tot 3/4 slagen aan.
5. Vul olie bij. Zie het deel **Olief bijvullen**.
6. Start de motor en laat deze draaien. Controleer op olie lekkage terwijl de motor opwarmt.
7. Schakel de motor uit en controleer het oliepeil. Het oliepeil is juist als het bovenaan bij de indicator voor vol (B, Afbeelding 10) op de peilstok staat.

Olief bijvullen

- Zorg ervoor dat de motor waterpas staat.
- Verwijder eventueel vuil uit het olievluggebied.
- Zie het deel **Specificaties** voor de oliecapaciteit.

1. Verwijder de peilstok (A, Afbeelding 10) en veeg deze met een schone doek af.
2. Giet langzaam olie in de vulopening voor motorolie (C, Afbeelding 10). **Niet te veel bijvullen.** Wacht na het bijvullen één minuut en controleer dan het oliepeil.
3. Plaats de peilstok en draai deze vast (A, afbeelding 10).
4. Verwijder de peilstok en controleer het oliepeil. Het oliepeil is juist als het bovenaan bij de indicator voor vol (B, Afbeelding 10) op de peilstok staat.
5. Plaats de peilstok (A, Afbeelding 10) terug en draai deze vast.
6. Sluit de bedrading van de bougie(s) (D, Afbeelding 9) aan op de bougie(s) (E).

Onderhoud aan het luchtfilter

Zie Afbeelding: 12, 13



WAARSCHUWING

Brandstof en brandstofdampen zijn uiterst brandbaar en explosief.

Brand of explosie kunnen ernstige brandwonden of de dood veroorzaken.

- De motor mag nooit worden gestart of draaien als de luchtfiltereenheid (indien aanwezig) of het luchtfilter (indien aanwezig) is verwijderd.

OPGEPAST Reinig het filter niet met perslucht of oplosmiddelen. Perslucht kan het filter beschadigen en oplosmiddelen kunnen het filter oplossen.

Zie het **Onderhoudsschema** voor het benodigde onderhoud.

De verschillende modellen hebben een filter van schuim of papier. Sommige modellen zijn ook uitgerust met een optioneel voorfilter dat kan worden uitgewassen en hergebruikt. Vergelijk de illustraties in deze handleiding met het type dat op uw motor is gemonteerd en voer onderhoud op basis daarvan uit.

Papieren luchtfilter

1. Open de bevestiging(en) (A, Afbeelding 12) en verwijder het deksel (B).
2. Verwijder het luchtfilter (C, Afbeelding 12).
3. Tik het filter voorzichtig op een hard oppervlak om het vuil los te maken. Vervang het luchtfilter door een nieuw luchtfilter als het luchtfilter zeer vuil is.
4. Om het veiligheidsfilter te verwijderen (D, Afbeelding 12), indien aanwezig, er voorzichtig aan trekken van de luchtfilter weg (E). Zorg ervoor dat stof of vuil niet in de motor geraakt.
5. Installeer de nieuwe veiligheidsfilter (D, Afbeelding 12) in het luchtfilterlichaam (E).
6. Installeer het luchtfilter (C, Afbeelding 12) over het veiligheidsfilter (D).
7. Plaats het deksel (B, afbeelding 12) en sluit de bevestiging(en) (A).

Papieren luchtfilter

1. Maak de bevestiging(en) (A, Afbeelding 13) los.
2. Verwijder het deksel (B, Afbeelding 13).
3. Verwijder de bevestiging(en) (C, Afbeelding 13) en houder (D).
4. Verwijder het luchtfilter (E, afbeelding 13).
5. Verwijder het voorfilter (F, afbeelding 13), indien aanwezig, uit het luchtfilter (E).
6. Tik het luchtfilter (E, Afbeelding 13) voorzichtig op een hard oppervlak om het vuil los te maken. Vervang het luchtfilter door een nieuw luchtfilter als het luchtfilter zeer vuil is.

- Was het voorfilter (F, afbeelding 13), indien aanwezig, in water met een vloeibaar reinigingsmiddel. Laat het voorfilter grondig aan de lucht drogen. **Breng geen olie aan op het voorfilter.**
- Monteer het droge voorfilter (F, afbeelding 13), indien aanwezig, op het luchtfilter (E).
- Monteer het luchtfilter (E, afbeelding 13) en zet het vast met houder (D) en bevestiging(en) (C).
- Plaats het deksel (B, Afbeelding 13) en zet het goed vast met de bevestiging(en) (A). Zorg dat de bevestiging(en) goed vast zit(ten).

- Maak bevestiging(en) (E, Afbeelding 16) los totdat u een klik hoort. Verwijder paneel (F). en verwijder vuil en gruis uit de zone. Zorg ervoor dat de onderzijde van het paneel ook schoon is.
- Plaats het paneel (E, Afbeelding 16) en zet het goed vast met de bevestiging(en) (E). Maak bevestiging(en) vast totdat u een klik hoort.

Na verloop van tijd kan zich vuil ophopen in de koelvinnen van de cilinder en ervoor zorgen dat de motor oververhit raakt. Dit vuil kan niet verwijderd worden zonder de motor deels te demonteren. Laat een geautoriseerde Briggs & Stratton dealer het koelsysteem inspecteren en reinigen zoals aanbevolen op de **Onderhoudskaart**.

Onderhoud brandstofsysteem

Zie afbeelding: 14



WAARSCHUWING

brandstof en brandstofdampen zijn uiterst brandbaar en explosief.

Brand of explosie kan ernstige brandwonden of dodelijk letsel veroorzaken.

- Houd de brandstof uit de buurt van vonken, open vlammen, waakvlammen, hitte en andere ontstekingsbronnen.
- Controleer brandstofleidingen, tank, vuldop en koppelingen regelmatig op barsten of lekken. Vervang deze, indien noodzakelijk.
- Wanneer u het brandstoffilter gaat reinigen of vervangen, moet u eerst de brandstoftank aftappen of de brandstofafsluitklep dichtdraaien.
- Indien er brandstof wordt gemorst, dient u te wachten tot deze verdampt is voordat u de motor start.
- Vervangingsonderdelen moeten hetzelfde zijn en op dezelfde manier worden geïnstalleerd als de originele onderdelen.

Brandstoffilter, indien aanwezig

- Voordat u het brandstoffilter vervangt (A, afbeelding 14), indien aanwezig, moet u eerst de brandstoftank aftappen of de brandstofafsluitklep dichtdraaien. Anders kan er brandstof lekken en dit kan brand of ontploffing veroorzaken.
- Druk met een tang de lipjes (B, afbeelding 14) op de klemmen (C) samen, en schuif de klemmen weg van het brandstoffilter (A). Draai en trek de brandstofleidingen (D) van het brandstoffilter af.
- Controleer de brandstofleidingen (D, afbeelding 14) op scheurtjes of lekkages. Vervang deze indien nodig.
- Vervang het brandstoffilter (A, Afb. 14) door een origineel vervangingsfilter.
- Zet de brandstofleidingen vast (D, afb. 14) met klemmen (C) zoals weergegeven.

Onderhoud aan het koelsysteem

Zie Afbeelding: 15, 16



WAARSCHUWING

Draaiende motoren produceren warmte. Motoronderdelen, vooral geluiddempers, worden zeer heet.

Ernstige brandwonden kunnen optreden bij contact.

Brandbaar vuil, zoals bladeren, gras en hout, kan in brand vliegen.

- Laat geluiddemper, motorcilinder en koelvinnen afkoelen voordat u ze aanraakt.
- Verwijder brandbare stoffen die zich in en rondom de geluiddemper en cilinder hebben opgehoopt.

OPGEPAST Gebruik geen water om de motor te reinigen. Water kan het brandstofsysteem verontreinigen. Gebruik een borstel en droge doek om de motor te reinigen.

Dit is een luchtgekoelde motor. Vuil kan de luchtstroom belemmeren en ervoor zorgen dat de motor oververhit raakt, wat resulteert in slechte prestaties en een verminderde levensduur van de motor.

- Verwijder vuil uit het luchtinlaatrooster met behulp van een borstel of droge doek (A, Afbeelding 15).
- Houd verbindingen, veren en bedieningen schoon (B, Afbeelding 15, 16).
- Zorg dat het gebied rond en achter de geluiddemper (C, Afbeelding 15, 16) vrij blijft van brandbaar vuil.
- Zorg dat er geen vuil of rommel op de koelvinnen van de spoel (D, Afbeelding 15) zit.

Opslag



WAARSCHUWING

Brandstof en brandstofdampen zijn uiterst ontvlambaar en explosief.

Brand of explosie kan ernstige brandwonden of dodelijk letsel veroorzaken.

Bij het opslaan van brandstof of machines met brandstof in de tank

- Opslaan uit de buurt van fornuizen, ovens, waterkokers of andere apparaten die een waakvlam bevatten of andere ontstekingsbronnen, omdat deze brandstofdampen kunnen doen ontbranden.

Brandstofsysteem

Zie afbeelding: 17

Berg de motor waterpas op (normale bedrijfsstand). Vul brandstoftank (A, Afbeelding 17) met brandstof. Vul de brandstoftank niet tot boven de onderkant van de nek (B) zodat de brandstof kan uitzetten.

Brandstof kan verschalen als het langer dan 30 dagen wordt bewaard. Verschaalde brandstof kan leiden tot zuur- en gomafzettingen in het brandstofsysteem of op essentiële carburateuronderdelen. Om brandstof vers te houden, kunt u **Briggs & Stratton Behandeling met een geavanceerde brandstofformule en -stabilisator gebruiken**, beschikbaar op locaties waar originele Briggs & Stratton -onderdelen worden verkocht.

U hoeft de benzine niet uit de motor af te tappen als een brandstofstabilisator volgens de instructies wordt toegevoegd. Laat voor het opbergen van de machine de motor twee (2) minuten lopen zodat de stabilisator door het brandstofsysteem kan circuleren.

Als de benzine in de motor niet met een brandstofstabilisator is behandeld, moet het in een goedgekeurde bak worden afgetapt. Laat de motor lopen totdat deze door gebrek aan brandstof stopt. Het gebruik van een brandstofstabilisator in de opslag container wordt aanbevolen om de brandstof vers te houden.

Motorolie

Ververs de motorolie als de motor nog warm is. Zie het deel **Motorolie verversen**.

Problemen oplossen

Als u hulp nodig hebt, neem dan contact op met uw dealer of ga naar **VanguardEngines.com** of bel **1-800-999-9333** (in de VS).

Specificaties

Model: 540000	
Cilinderinhoud	54.68 ci (896 cc)
Boring	3.366 in (85,5 mm)
Slag	3.071 in (78,0 mm)
Oliecapaciteit	78 - 80 oz (2,3 - 2,4 L)
Elektrodeafstand van bougie	.030 in (.76 mm)
Aanhaalkoppel bougie	180 lb-in (20 Nm)
Luchtspriet van ontstekingsspoel	.005 - .008 in (.13 - .20 mm)
Inlaatklepspel	.004 - .006 in (.10 - .15 mm)
Uitlaatklepspel	.007 - .009 in (.18 - .23 mm)

Model: 610000, 61E100	
Cilinderinhoud	60.60 ci (993 cc)
Boring	3.366 in (85,5 mm)

Model: 610000, 61E100

Slag	3.406 in (86,5 mm)
Oliecapaciteit	78 - 80 oz (2,3 - 2,4 L)
Elektrodeafstand van bougie	.030 in (.76 mm)
Aanhaalkoppel bougie	180 lb-in (20 Nm)
Luchtspleet ontstekingsspoel - Carburateurmodellen	.005 - .008 in (.13 - .20 mm)
Inlaatklepspeling	.004 - .006 in (.10 - .15 mm)
Uitlaatklepspeling	.007 - .009 in (.18 - .23 mm)

Het motorvermogen neemt met 3,5 % af voor elke 300 meter (1.000 voet) boven zeeniveau en 1 % voor elke 5,6 °C (10 °F) boven 25 °C (77 °F). De motor werkt goed tot een hellingshoek van 15°. Raadpleeg de gebruikershandleiding van de machine voor de maximaal toegestane veilige hellingshoeken.

Serviceonderdelen - Model: 540000, 610000, 61E100

Serviceonderdeel	Onderdeelnummer
Cycloonluchtfiler, Afbeelding 12)	841497
Cycloonveiligheidsfilter, Afbeelding 12)	821136
Luchtfiler, laag profiel (Afbeelding 13)	692519
Voorfilter, laag profiel (Afbeelding 13)	692520
Olie - SAE 30	100028
Oliefilter	842921
Advanced Formula Fuel Treatment & Stabilizer	100117, 100120
Brandstoffiler	691035
Resistorbougie	491055
Long Life Platinum-bougie	5066
Bougiesleutel	19374
Vonktester	19368

Wij adviseren dat u voor al het onderhoud en alle service aan de motor en de motoronderdelen een erkende Briggs & Stratton-dealer raadpleegt.

Vermogenklasseringen: De classificatie van het brutovermogen voor individuele benzinemotormodellen is ingedeeld conform code J1940 Vermogens- en torsieklasseringsprocedure voor kleine motoren van de SAE (Society of Automotive Engineers) en is geklasseerd conform SAE J1995. Torsiewaarden zijn voor een toerental van 2.600 omw/min voor motoren waarbij "rpm" wordt aangegeven op het label en 3060 RPM voor alle andere motoren; de paardenkrachtwwaarden worden gegeven bij 3.600 RPM. De curves voor het brutovermogen kunt u bekijken op www.BRIGGSandSTRATTON.COM. Het nettovermogen wordt gemeten met gemonteerde uitlaat en luchtfiler, maar het brutovermogen wordt gemeten zonder deze onderdelen. Het werkelijke brutomotorvermogen ligt hoger dan het nettomotorvermogen en wordt onder meer beïnvloed door omgevingsfactoren en verschillen tussen de motoren. Gezien de vele verschillende producten waarvoor onze motoren worden gebruikt, zal de benzinemotor mogelijk niet het nominale brutovermogen ontwikkelen wanneer de motor wordt gebruikt in een door een motor aangedreven machine. Dit verschil wordt veroorzaakt door diverse factoren waaronder, maar niet uitsluitend, de verscheidenheid aan motoronderdelen (luchtfiler, uitlaat, turbo, koelen, carburateur, brandstofpomp etc.), toepassingsbeperkingen, omgevingsfactoren (temperatuur, vochtigheid, hoogte) en verschillen tussen motoren. Vanwege productie- en capaciteitsbeperkingen kan het zijn dat Briggs & Stratton een motor met een hoger nominaal vermogen gebruikt in plaats van de standaardmotor voor deze serie.

Garantie

Garantie op de motor van Briggs & Stratton

Per januari 2017

Beperkte garantie

Briggs & Stratton garandeert dat tijdens de hieronder gespecificeerde garantieperiode elk onderdeel van een product dat materiaal- en/of productiefouten vertoont, gratis hersteld of vervangen zal worden. Transportkosten voor producten die worden teruggestuurd ter reparatie of vervanging onder deze garantie komen voor rekening van de koper. Deze garantie is geldig voor- en onderhavig aan de onderstaande periodes en voorwaarden. Voor garantieservice kunt u de dichtstbijzijnde erkende servicedealer vinden met behulp van de dealerzoekfunctie op BRIGGSandSTRATTON.COM. De koper moet contact

opnemen met de Erkende Service Dealer en het product dan beschikbaar maken voor de Erkende Service Dealer voor inspectie en tests.

Er wordt geen andere expliciete garantie afgegeven. Impliciete garanties, inclusief voor verkoopbaarheid en geschiktheid voor een bepaald doel, zijn beperkt tot de hieronder gespecificeerde garantieperiode of in de wettelijke toegestane mate.

Aansprakelijkheid voor incidentele of gevolgschade wordt uitgesloten voor zover dit wettelijk toegestaan is. Sommige staten of landen staan geen beperkingen toe over de periode waarin een impliciete garantie geldig is, en sommige staten of landen staan geen uitsluiting of beperking van incidentele of gevolgschade toe, zodat de bovenstaande beperkingen en uitsluitingen mogelijk niet op u van toepassing zijn. Deze garantie geeft u bepaalde specifieke wettelijke rechten en u kunt mogelijk andere rechten hebben die van rechtsgebied tot rechtsgebied variëren.⁴

Standaard garantievoorwaarden 1, 2, 3

Merk / productnaam	Particulier gebruik	Commercieel gebruik
Vanguard™; Commercial Series	36 maanden	36 maanden
Motoren met de Dura-Bore™ gietijzeren voering	24 maanden	12 maanden
Alle overige motoren	24 maanden	3 maanden

¹Dit zijn onze standaardvoorwaarden voor garantie, maar er kunnen aanvullende garantiebepalingen zijn die op het moment van publicatie nog niet waren bepaald. Ga voor alle actuele garantievoorwaarden voor uw motor naar BRIGGSandSTRATTON.com of neem contact op met uw erkende Briggs & Stratton servicedealer.

²Er is geen garantie voor motoren op apparatuur die wordt gebruikt voor primaire voeding in plaats van openbare voorzieningen of voor noodaggregaten voor commerciële doeleinden. Er geldt geen garantie voor motoren die gebruikt worden voor competitief racen en op commerciële- of verhuurcircuits.

³Vanguard geïnstalleerd op stand-by generators: 24 maanden voor particulier gebruik, geen garantie bij commercieel gebruik. Vanguard geïnstalleerd op utiliteitsvoertuigen: 24 maanden voor particulier gebruik, 24 maanden garantie bij commercieel gebruik. Commercial Series met fabricagedatum vóór juli 2017, 24 maanden particulier gebruik, 24 maanden commercieel gebruik.

⁴In Australië - onze artikelen worden geleverd met garanties die onder de Australische consumentenwetgeving niet kunnen worden uitgesloten. U hebt recht op een vervanging of een vergoeding in geval van een groot defect en op compensatie voor andere redelijkerwijs te voorzien vormen van verlies en schade. U hebt ook recht op het repareren of vervangen van de artikelen als deze niet van acceptabele kwaliteit zijn en als het defect geen groot defect is. Zoek voor garantieservice de dichtstbijzijnde Erkende Service Dealer op met onze dealerkaart op BRIGGSandSTRATTON.com, of bel 1300 274 447, of mail of schrijf naar salesenquires@briggsandstratton.com.au, Briggs & Stratton Australia Pty Ltd, 1 Moorebank Avenue, Moorebank, NSW, Australië, 2170.

De garantieperiode begint op de datum van aankoop door de eerste consument of commerciële klant. "Particulier gebruik" betekent persoonlijk residentieel gezinsgebruik door een detailhandelsconsument. "Commercieel gebruik" betekent ieder ander gebruik, inclusief het gebruik voor commerciële huurdoeleinden of voor het genereren van inkomsten. Als een motor eenmaal commercieel gebruikt is, dan zal deze daarna voor deze garantie als commercieel gebruikt worden beschouwd.

Bewaar uw kwitantie als aankoopbewijs. Indien u geen bewijs kunt leveren van de oorspronkelijke aankoopdatum op het ogenblik waarop om garantieservice wordt verzocht, zal de productiedatum van het product worden gebruikt om de garantieperiode te bepalen. Productregistratie is niet noodzakelijk voor het verkrijgen van garantie op producten van Briggs & Stratton.

Over uw garantie

Deze garantie dekt uitsluitend aan de motor gerelateerde defecte materialen en/of bewerkingen, en niet vervanging of vergoeding van de machine waarop de motor gemonteerd kan zijn. Routineonderhoud, afstellingen, aanpassingen of normale slijtage vallen niet onder deze garantie. De garantie is ook niet van toepassing als de machine is gewijzigd of aangepast, of als het serienummer van de motor is beschadigd of verwijderd. Deze garantie geldt niet voor schade aan de motor of prestatieproblemen door:

1. Het gebruik van niet- originele Briggs & Stratton-onderdelen;
2. Het laten draaien van de motor met onvoldoende, vervuilde of de onjuiste soort smeerolie;
3. Het gebruik van vervuilde of niet-verse brandstof, benzine verrijkt met meer dan 10% ethanol of het gebruik van alternatieve brandstoffen zoals vloeibare petroleum of aardgas bij motoren die oorspronkelijk niet zijn ontwikkeld/gefabriceerd door Briggs & Stratton om op dergelijke brandstoffen te draaien;
4. Vuil dat in de motor terecht is gekomen vanwege een onjuist onderhoud of een onjuiste hermontage van de luchtfiler;
5. Het raken van een object met een snijblad van een roterende grasmaaier, losjes of onjuist geïnstalleerde bladtussenstukken, waaiers of andere aan de krukas gekoppelde onderdelen, of excessieve strakheid van de v-snaar;

6. Bijbehorende onderdelen en eenheden zoals koppelingen, aandrijvingen en afstandsbedieningen van apparatuur die niet door Briggs & Stratton zijn geleverd;
7. Oververhitting als gevolg van grasmaaisel, vuil en rommel of nesten van knaagdieren die de koelvinnen of het vliegwielgebied verstopen of erin zitten, of door de motor te laten draaien zonder voldoende ventilatie;
8. Excessieve trillingen als gevolg van een te hoge snelheid, een te losjes gemonteerde motor, losse of niet-uitgebalanceerde snijbladen of waaiers of onjuiste koppeling van onderdelen van de apparatuur aan de krukas;
9. Verkeerd gebruik, gebrek aan routineonderhoud, verzending, omgang met of opslag van apparatuur, of onjuiste installatie van de motor.

De garantieservice is uitsluitend beschikbaar via erkende servicedealers van Briggs & Stratton. U vindt uw dichtstbijzijnde Geautoriseerde Service Dealer in onze "dealer locator" kaart op BRIGGSandSTRATTON.com of kijk in de 'Gouden Gids'.

80004537 (Rev. C)

Not for
Reproduction

Denne håndboken inneholder sikkerhetsinformasjon som gjør deg oppmerksom på farer og risiko forbundet med motorer, og hvordan du unngår dem. Den inneholder også instruksjoner for riktig bruk og vedlikehold av motoren. Fordi Briggs & Stratton ikke nødvendigvis vet hvilket utstyr motoren driver, er det viktig at du leser og forstår disse instruksjonene og instruksjonene for utstyret som motoren driver. **Ta vare på disse originalinstruksjonene for framtidig referanse.**

Merk: Tallene og illustrasjonene i denne håndboken er kun oppgitt som referanse og kan avvike fra din modell. Kontakt forhandleren hvis du har spørsmål.

For å skaffe reservedeler eller teknisk assistanse, må du notere motorens modell-, type- og kodenummer sammen med kjøpedato her. Disse numrene sitter på motoren (se avsnittet om **Tekniske egenskaper og kontroller**).

Kjøpedato:	
Modell - Type - Trim	
Motorens serienumre	

Se etter 2D strekkoden som finnes på enkelte motorer. Når koden leses med en 2D-avleser, vil den vise vår nettside der du kan få tilgang til støtteinformasjon for dette produktet. Internetpriser gjelder. Det kan hende at online støtte ikke er tilgjengelig i enkelte land.



Informasjon om gjenvinning

		Alt pakningsmateriale, brukt olje og batterier skal gjenvinnes i henhold til avfallsforskriften.
--	--	--

Brukerens sikkerhet

Advarselsymbol og signalord

Symbolet for sikkerhetsadvarsel er brukt til å identifiserer sikkerhetsinformasjon angående farer som kan medføre personskade. Et signalord (FARE, ADVARSEL, eller FORSIKTIG) er brukt i tillegg til advarselsymbolet for å angi risikograden og det potensielle omfanget av skaden. Det kan i tillegg benyttes et faresymbol som angir hvilken type fare det gjelder.

FARE viser til en fare som vil føre til død eller alvorlige personskader hvis den ikke unngås.

ADVARSEL viser til en fare som kan føre til død eller alvorlige personskader hvis den ikke unngås.

FORSIKTIG viser til en fare som kan føre til mindre eller moderate personskader hvis den ikke unngås.

OBS viser til en handling som kan føre til skade på produktet.

Faresymboler og deres betydning

Symbol	Betydning	Symbol	Betydning
	Sikkerhetsinformasjon om farer som kan føre til personlige skader.		Les og forstå brukerhåndboken før du bruker eller vedlikeholder enheten.
	Brannfare		Fare for eksplosjon

Symbol	Betydning	Symbol	Betydning
	Fare for støt.		Fare for giftige gasser
	Fare for varm overflate		Støyfare - Hørselsvern anbefales ved langvarig bruk.
	Fare for at gjenstander kan slynges ut - Bruk vernebriller.		Fare for eksplosjon
	Fare for frostskafer		Fare for tilbakeslag
	Fare for amputasjon - bevegelige deler		Kjemikaliefare
	Termisk fare (varme)		Etsende

Meldinger vedr. sikkerhet



ADVARSEL

Visse komponenter i dette produktet og tilhørende tilbehør inneholder kjemikalier som staten California vet kan forårsake kreft, fødselsskader eller skader på forplantningsevnen. Vask hendene etter håndtering.



ADVARSEL

Eksosen fra dette produktet inneholder kjemikalier som i delstaten California er kjent for å forårsake kreft, fosterskader eller skade reproduksjonsevnen.



ADVARSEL

Briggs & Stratton motorene er ikke konstruert for å drive følgende kjøretøy og må heller ikke brukes til disse: rallykarter, gokarter, barns kjøretøy, fritidskjøretøy eller terrengkjøretøy (ATV), motorsykler, hoverbåter, flyprodukter eller kjøretøy som brukes i konkurranser som ikke er godkjent av Briggs & Stratton. For informasjon om produkter til konkurransekjøring, se www.briggsracing.com. For bruk på nyttekjøretøy og ATV'er med to seter ved siden av hverandre (side-by-side), vennligst ta kontakt med Briggs & Stratton Engine Application Center, 1-866-927-3349. Feil bruk av motorer kan resultere i alvorlige skader eller død.



ADVARSEL



Drivstoff og drivstoffdamper er ekstremt lett antenkelige og eksplosive.

Brann eller eksplosjon kan forårsake alvorlige brannskader eller død.

Når du fyller på drivstoff

- Slå motoren av og la motoren avkjøles i minst to minutter før du tar av bensinlokket.
- Fyll drivstofftanken utendørs eller i godt ventilert område.
- Ikke overfyll en drivstofftanken. For å kunne gi plass til å la drivstoffet utvide seg, ikke fyll til over bunnen av drivstofftankhalsen.
- Hold drivstoff unna gnister, åpen flamme, sporebluss, varme og andre tennkilder.
- Kontroller drivstoffslanger, tank, lokk og fester ofte for sprekker og lekkasjer. Skift ut om nødvendig.
- Hvis du har sølt bensin, må du vente til den har fordampet, før du starter opp motoren.

Når du starter motoren

- Sjekket tennpluggen, eksospotten, lokket på drivstofftanken og luftfilteret (hvis montert) sitter godt på plass.
- Motoren må ikke dreies rundt hvis tennpluggen er fjernet.
- Hvis motoren drukner, sett choken (hvis montert) i stillingen OPEN / RUN (åpen/kjør), sett gassspjeld (hvis montert) i stillingen FAST (hurtig) og drei motoren rundt til den starter.

Når du betjener enheten

- Motoren eller maskinen må IKKE veltes i en vinkel der drivstoff kan renne ut.
- Motoren må ikke stanses ved å kvele forgasseren.
- Motoren må aldri startes eller kjøres uten at luftfilterenheten (hvis montert) eller luftfilteret (hvis montert) sitter på plass.

Når du skifter olje

- Hvis du taper av olje fra toppen av oljepåfyllingsrøret, må drivstofftanken være tom. Ellers kan drivstoffet lekke ut og føre til brann eller eksplosjon.

Når maskinen veltes for å utføre vedlikehold

- Når det er nødvendig å velte maskinen for å utføre vedlikehold, må drivstofftanken hvis en er montert på motoren, være tom, ellers kan drivstoff renne ut og forårsake brann eller eksplosjon.

Når du frakter utstyr

- Transporteres med TOM drivstofftank eller med drivstoffkranen i STENGT stilling.

Ved oppbevaring av drivstoff eller utstyr med drivstoff i tank

- Må ikke oppbevares i nærheten av fyringsanlegg, ovner, varmtvannsbereidere eller annet utstyr med sparebluss eller andre antenningskilder, da de kan antenne drivstoffdamp.



ADVARSEL

Ved start av motoren oppstår det gnister.

Gnister kan antennes i nærheten av brennbare gasser.

Dette kan føre til eksplosjon og brann.

- Hvis det finnes naturgass- eller flytgasslekkasje i området, skal du ikke starte motoren.
- Bruk ikke startvæsker under trykk, da dampen er antennelig.



ADVARSEL

FARE FOR GIFTIG GASS. Eksosen fra motoren inneholder karbonmonoksid (kullos), en giftig gass som kan ta livet av deg i løpet av få minutter. Du KAN IKKE se, lukte eller kjenne smaken av den. Selv om du ikke lukter eksos, kan du likevel bli utsatt for karbonmonoksid-gass. Hvis du begynner å føle deg kvalm, svimmel eller svak mens du bruker dette produktet, trekk litt frisk luft MED EN GANG. Oppsøk en lege. Det er mulig du er forgiftet av karbonmonoksid (kullos).

- Bruk produktet UTELUKKENDE utendørs, langt unna vinduer, dører og ventilert for å redusere risikoen for at karbonmonoksidgass hopper seg opp og potensielt trekkes mot områder der personer oppholder seg.
- Monter batteridrevne karbonmonoksid-alarmer eller innpluggbare karbonmonoksid-alarmer med batterireserve i henhold til produsentens veiledning. Røykvarslerer registrerer ikke karbonmonoksid gass.
- Kjør IKKE dette produktet inne i boliger, garasjer, kjellere, rom med begrenset høyde under gulv og tak, under skur eller andre delvis lukkede rom, selv om du bruker vifter eller åpne dører og vinduer til å ventilere. Karbonmonoksid kan raskt bygge seg opp i slike rom, og kan bli værende på samme sted i flere timer, selv etter at dette produktet er slått av.
- Plasser ALLTID produktet med vinden og la eksosen peke bort fra områder der det oppholder seg mennesker.



ADVARSEL

Hurtig tilbakespoling av startsnoren (tilbakeslag) vil trekke hånden og armen din raskere mot motoren enn du klarer å slippe taket.

Dette kan føre til benbrudd, frakturer, blåmerker eller forstuing.

- Når du starter motoren, trekk startsnoren sakte til du begynner å kjenne motstand, trekk deretter hardt til for å unngå tilbakeslag.

- Ta av alt påmontert utstyr / motorbelastning før motoren startes.
- Maskinkomponenter som er montert direkte, slik som, men ikke begrenset til, kniver, viftehjul, remskiver, kjedehjul osv., må sitte godt fast.



ADVARSEL

Roterende deler kan komme i kontakt eller vikle seg inn i hender, føtter, klær eller tilbehør.

Dette kan føre til traumatisk amputasjon av lemsdeler eller store sårskader.

- Dekslene må alltid sitte på plass når maskinen er i bruk.
- Hold hender og føtter borte fra roterende deler.
- Sett opp langt hår og ta av smykker.
- Du må ikke ha på deg løstsittende klær, snører som henger løst eller noe annet som kan sette seg fast i maskinen.



ADVARSEL

Motorer som er i gang utvikler varme. Motordeler, spesielt eksospotte, blir ekstremt varme.

Alvorlige forbrenninger kan oppstå ved kontakt.

Lettantennelig avfall, som blader, gress, kratt, osv., kan ta fyr.

- La eksospotte, motorsylinder og ribber få avkjøle seg før de berøres.
- Ta bort oppsamlet rusk fra området rundt eksospotten og sylinderen.
- Det er et brudd på Californias lov om offentlige ressurser, §4442, å bruke eller ha motoren i gang på et skogkledd, kratt-dekket, eller gresskledd stykke land med mindre eksossystemet er utstyrt med en gnistfanger som er holdt i fullgod stand, slik som definert i § 4442. Andre stater eller nasjonale jurisdiksjoner vil kunne ha lignende lover. Kontakte den opprinnelige utstyrsprodusenten, detaljisten eller forhandleren for å få en gnistfanger satt på det eksosanlegget som er installert på denne motoren.



ADVARSEL

Utsiktet gnisting kan resultere i brann eller elektrisk sjokk.

Tilfeldig start kan resultere i forviklinger, traumatisk amputasjon eller sårskader.

Fare for brann

Før du utfører justeringer eller reparasjoner:

- Koble fra tennpluggledningen og fest den på avstand fra tennpluggen.
- Frakoble batteriet ved den negative terminalen (kun motorer med elektrisk start.)
- Bruk kun riktige verktøy.
- Ikke tukle med regulatorfjæren, lenker eller andre deler for å øke motorhastighet.
- Reservedeler må alltid være av samme type og monteres i samme posisjon som de originale delene. Andre deler kan muligens ikke yte like bra, kan skade enheten og kan resultere i personskade.
- Slå aldri på svinghjulet med en hammer eller en annen hard gjenstand da svinghjulet kan sprekk senere under drift.

Ved testing av gnist:

- Bruk godkjent tennpluggtester.
- Ikke se etter gnist med tennpluggen fjernet.

Funksjoner og kontroller

Motorkontroller

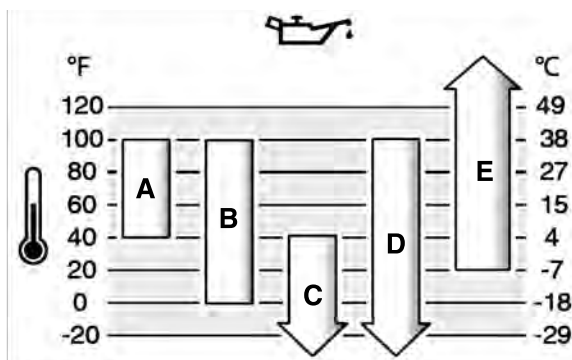
Sammenligne illustrasjonen (Figur: 1, 2, 3, 4) med motoren for å bli kjent med hvor de forskjellige funksjonene og kontrollene er plassert.

- Motoridentifikasjonsnummer **Modell - Type - Kode**
- Tennplugg
- Luftfilter, syklonisk
- Luftfilter, lav profil
- Peilepinne

- F. Oljepåfylling
- G. Oljefilter
- H. Oljeteppeplugg
- I. Oljetrykksensor
- J. Fingerbeskyttelse
- K. Elektrisk start
- L. Starter relé
- M. Regulator/likeretter
- N. Forbrenner - Forbrennermodeller
- O. Oljekjøler (hvis montert)
- P. Eksospotte (hvis montert)
- Q. Drivstoffpumpe
- R. Startbryter ¹
- S. Gasspak ¹
- T. Choke - forbrennermodeller ¹
- U. Drivstofffilter (hvis montert)

¹ Noen motorer og noe utstyr har fjernkontroller. Se håndboken som tilhører maskinen for plassering og bruk av fjernkontroller.

fleste utendørsutstyr opererer godt med 5W-30 syntetisk olje. For utstyr som opererer i varme temperaturer, gir Vanguard™ 15W-50 syntetisk olje den beste beskyttelsen.



A	SAE 30 - Under 4°C vil bruk av SAE 30 resultere i vanskelig start.
B	10W-30 - Over 27 °C vil bruk av 10W-30 kunne forårsake økt oljeforbruk. Sjekk oljenivået oftere.
C	5W-30
D	Syntetisk 5W-30
E	Vanguard™ syntetisk 15W-50

Symboler for motorkontroller og deres betydning

Symbol	Betydning	Symbol	Betydning
	Motorhastighet - HURTIG		Motorhastighet - SAKTE
	Motorhastighet - STOPP		PÅ - AV
	Start av motor - Choke STENGT		Start av motor - Choke ÅPEN
	Lokk til drivstofftank Drivstoffsperr - ÅPEN		Drivstoffsperr - STENGT
	Drivstoffnivå - Maksimum Ikke overfyll		

Bruk

Anbefalinger når det gjelder olje

Oljekapasitet: Se *Spesifikasjoner* delen.

OBS

Denne motoren ble sendt fra Briggs & Stratton uten olje. Utstørsproduzentene eller forhandlerne kan ha fylt olje på motoren. Før motoren startes første gang, må du sørge for å kontrollere oljenivået og fylle på olje i henhold til anvisningene i denne håndboken. Hvis motoren startes uten olje, vil den skades slik at den ikke kan repareres, og skaden vil ikke dekkes av garanti.

Vi anbefaler bruk av Briggs & Strattons garantisertifiserte oljer for optimal ytelse. Andre høykvalitets renseoljer er akseptable hvis de er klassifisert for service SF, SG, SH, SJ, eller høyere. Ikke bruk spesielle tilsetningsstoffer.

Utetemperaturer avgjør riktig oljeviskositet for motoren. Bruk tabellen til å velge den optimale viskositeten for det forventede temperaturspektret utendørs. Motorer på de

Sjeking av oljenivået

Se Figur: 5

Før oljen fylles på og sjekkes

- Sjekk at motoren står vannrett.
- Rengjør området rundt oljepåfyllingen for å fjerne alt rusk.

1. Ta ut peilepinnen (A, Figur 5) og tørk av den med en ren klut.
2. Sett peilepinnen helt inn (A, Figur 5).
3. Ta ut peilepinnen og sjekk oljenivået. Riktig oljenivå er øverst på full-indikatoren (B, Figur 5) på peilepinnen.
4. Hvis oljenivået er lavt, fyller oljen sakte i motoroljepåfyllingen (C, Figur 5). **Ikke overfyll.** Etter å ha tilsatt olje, vent ett minutt og sjekk oljenivået på nytt.
5. Sett peilepinnen helt inn (A, Figur 5).

Varselsystem for lavt oljenivå (hvis montert)

Noen motorer er utstyrt med en sensor for lavt oljenivå. Hvis oljenivået er lavt, vil sensoren enten tenne en varselampe eller stanse motoren. Stans motoren og utfør følgende trinn før motoren startes igjen.

- Sjekk at motoren står vannrett.
- Sjekk oljenivået. Se avsnittet om **SJEKING AV OLJENIVÅ**.
- Hvis oljenivået er lavt, fyll på riktig mengde olje. Start motoren og sjekk at varselampen (hvis montert) ikke lyser.
- Ikke start motoren hvis oljenivået er for lavt. Ta kontakt med et autorisert Briggs & Stratton forhandlerverksted for å få oljeproblemet reparert.

Anbefalt drivstoff

Drivstoff må oppfylle disse kravene:

- Ren, ny, blyfri bensin.
- Minimum 87 oktan/87 AKI (91 RON). For bruk i store høyder, se nedenfor.
- Bensin med opptil 10% etanol (gasohol) kan brukes.

OBS Bruk aldri ikke-godkjent bensin, slik som E15 og E85. Ikke bland olje i bensinen eller endre motoren til å kjøre på alternative drivstoff. Bruk av drivstoff som ikke er godkjent vil forårsake at deler i motoren påføres skader som ikke er dekket av garantien.

Beskytt drivstoffsystemet mot gummidannelse ved å blande en drivstoffstabilisator i drivstoffet. Se **Lagring** Alt drivstoff er ikke det samme. Hvis det oppstår problemer med start eller ytelse, bytt drivstoff-leverandører eller skift merke. Denne motoren er sertifisert for bruk med bensin. Utslippskontrollsystemet for denne motoren er EM (Engine Modifications - Modifiseringer av motoren).

Store høyder

I høyder på over 1524 meter (5000 fot) må det brukes minimum 85-oktan/85 AKI (89 RON) bensin.

Det er nødvendig å justere forgassermotorer for bruk i store høyder for å opprettholde ytelsen. Drift uten denne justeringen vil føre til redusert ytelse, økt drivstofforbruk, og økte utslipp. Kontakt en Briggs & Stratton-autorisert forhandler for informasjon ang. tilpasning til store høyder. Bruk av motoren i høyder under 762 meter (2500 fot) hvis den er justert for bruk i store høyder anbefales ikke.

Det er ikke nødvendig å justere motorer med elektronisk drivstoffinjeksjon (EFI) for bruk i store høyder.

Tilfør drivstoff

Se figur: 6



ADVARSEL

Drivstoffer og deres gasser er meget brannfarlige og eksplosive.

En brann eller eksplosjon kan føre til alvorlige brannskader eller dødsulykker.

Når drivstoff tilføres

- Slå av motoren og la den avkjøles i minst 2 minutter før du tar av tanklokket.
 - Fyll drivstofftanken utendørs eller i godt ventilert område.
 - Overfyll ikke drivstofftanken. For å gjøre plass til utvidelse av drivstoffet, ikke fyll opp til over bunnen på tankens hals.
 - Hold drivstoff unna gnister, åpen flamme, sporebluss, varme og andre antenneskilder.
 - Sjekk drivstoffslanger, tank, lokk og fester ofte for sprekker og lekkasjer. Skift ut om nødvendig.
 - Hvis du har sølt drivstoff, må du vente til det har fordampet, før du starter opp motoren.
1. Rengjør tanklokk-området for smuss og rusk. Ta av tanklokket
 2. fyll drivstofftanken (A, Figur 6) med drivstoff. For å gjøre plass til utvidelse av drivstoffet, ikke fyll opp til over bunnen på tankens hals. (B).
 3. Sett lokket på drivstofftanken.

Start og stans av motoren

Se Figur: 7

Start av motoren



ADVARSEL

Drivstoff og drivstoffdamp er meget brannfarlig og eksplosiv.

En brann eller eksplosjon kan føre til alvorlige brannskader eller dødsfall.

Når du starter motoren

- Sjekk at tennpluggen, eksospotten, lokket på drivstofftanken og luftfilteret (hvis montert) sitter godt på plass.
- Motoren må ikke dreies rundt hvis tennpluggen er fjernet.
- Hvis motoren drukner, sett choken (hvis montert) i stillingen OPEN / RUN (åpen/kjør), sett gassen (hvis montert) i stillingen FAST (hurtig) og drei motoren rundt til den starter.



ADVARSEL

FARE FOR GIFTIG GASS Eksosen fra motoren inneholder karbonmonoksid, en giftig gass som kan ta livet av deg i løpet av få minutter. Du KAN IKKE se, lukte eller smake den. Selv om du ikke lukter eksos, kan du likevel bli utsatt for karbonmonoksid-gass. Hvis du begynner å føle deg kvalm, svimmel eller svak mens du bruker dette produktet, må du ØYEBLICKELIG stanse det og gå ut i frisk luft. Oppsøk lege. Det er mulig du er blitt forgiftet av karbonmonoksid.

- Dette produktet må KUN brukes utendørs, og langt unna vinduer, dører og ventiler for å redusere risikoen for at karbonmonoksid gass kan samle seg opp og muligens trenge inn i bebodde arealer.
- Montere batteridrevne karbonmonoksid-alarmer eller innpluggbare karbonmonoksid-alarmer med batterireserve i henhold til produsentens veiledning. Røykvarslere registrerer ikke karbonmonoksid gass.
- Dette produktet må IKKE brukes inne i boliger, garasjer, kjellere, bodere eller i andre delvis lukkede rom, selv om det brukes vifter eller åpne dører og vinduer som

ventilasjon. Karbonmonoksid kan raskt bygge seg opp i slike rom, og kan bli værende på samme sted i flere timer, selv etter at dette produktet er slått av.

- Dette produktet må ALLTID plasseres i medvind og med eksosutslippet vendt bort fra bebodde arealer.

OBS Denne motoren ble sendt fra Briggs & Stratton uten olje. Før motoren startes, må du sørge for å fylle på olje i henhold til anvisningene i denne håndboken. Hvis motoren startes uten olje, vil den skades slik at den ikke kan repareres, og den vil ikke være dekket av garantien.

Finn hvilket startsystem motoren har

Du må finne ut hvilken type startsystem motoren har før den startes. Motoren din vil ha en av de følgende typene.

- **Elektronisk drivstoffinnspøyningssystem (EFI):** Dette har elektronisk drivstoffinnspøyning. Det har ikke en choke eller en primer.
- **Chokesystemet:** Denne typen har en choke som skal brukes for å starte når det er kaldt ute. Noen modeller har en separat choke mens andre har en kombinert choke- og gasspak. Denne typen har ikke en primer.

Merk: Det kan hende at maskinen har fjernkontroller. Se håndboken som tilhører maskinen for plassering og bruk av fjernkontroller.

Elektronisk drivstoffinnspøyningssystem (EFI)

1. Sjekk motoroljen. Se under **Sjekking av oljenivå**.
2. Sjekk at maskinens drivkontroller, hvis montert, er koblet ut.
3. Sett drivstoffkranen (A, Figur 7), hvis montert, i stillingen OPEN (åpen).
4. Sett gasspaken (B, Figur 7), hvis montert, i stillingen FAST (hurtig). Motoren skal kjøres i stillingen FAST (hurtig).
5. Press stoppebryteren (D, Figur 7), hvis montert, i stillingen ON (på).
6. Vri den elektriske startbryteren (E, Figur 7) til stillingen ON (på) eller START (start).

OBS Bruk korte startsykluser for å forlenge starterens levetid (maks. fem sekunder). Vent ett minutt mellom startsyklusene.

Merk: Hvis ikke motoren starter etter gjentatte forsøk, ta kontakt med din lokale forhandler eller gå inn på VanguardEngines.com eller ring **1-800-999-9333** (i USA).

Chokesystemet

1. Sjekk motoroljen. Se under **Sjekking av oljenivå**.
2. Sjekk at maskinens drivkontroller, hvis montert, er koblet ut.
3. Sett drivstoffkranen (A, Figur 7), hvis montert, i stillingen OPEN (åpen).
4. Sett gasspaken (B, Figur 7), hvis montert, i stillingen FAST (hurtig). Motoren skal kjøres i stillingen FAST (hurtig).
5. Sett choken (C, Figur 7), eller den kombinerte choken og gassen i stillingen CLOSED (lukket).

Merk: Hvis motoren skal startes med et tørt drivstoffsystem (startes for første gang eller etter at den er gått tom for drivstoff), vil det være nødvendig å dreie den rundt lengre enn vanlig i chokestilling. Dette vil gi drivstoffpumpen nok tid til å fylle opp drivstoffsystemet.

6. Press stoppebryteren (D, Figur 7), hvis montert, i stillingen ON (på).
7. Vri nøkkelbryteren (E, Figur 7) til stillingen ON (på) eller START (start).
8. Hvis motoren starter, men stopper igjen umiddelbart, flyttes choken (C, Figur 7) i stillingen OPEN (åpen) for å starte motoren.

OBS Bruk korte startsykluser for å forlenge starterens levetid (maks. fem sekunder). Vent ett minutt mellom startsyklusene.

9. Flytt choken (C, Figur 7) mot stillingen OPEN (åpen) ettersom motoren varmes opp.

Merk: Hvis ikke motoren starter etter gjentatte forsøk, ta kontakt med din lokale forhandler eller gå inn på VanguardEngines.com eller ring **1-800-999-9333** (i USA).

Stans motoren



ADVARSEL

Drivstoff og drivstoffdamp er meget brannfarlig og eksplosiv.

En brann eller eksplosjon kan føre til alvorlige brannskader eller dødsfall.

- Motoren må ikke stanses ved å kvele forgasseren.

- Stoppebryter, hvis montert** Sett stoppebryteren (D, Figur 7) i stillingen OFF (av). **Nøkkelbryter, hvis montert:** La gasspaken stå i stillingen SLOW (sakte) og vri nøkkelbryteren (E, Figur 7) til stillingen OFF (av). Ta ut nøkkelen og legg den på et trygt sted som er utilgjengelig for barn.
- Sett drivstoffkranen (A, Figur 7), hvis montert, i stillingen CLOSED (stengt) etter at motoren er stanset.

Vedlikehold

OBS Hvis maskinen veltes under vedlikeholdsarbeidet, må drivstofftanken, hvis montert på motoren, være tom og siden der tennpluggen sitter må vende opp. Hvis drivstofftanken ikke er tom og hvis maskinen veltes i en annen retning, kan det bli vanskelig å starte den på grunn av olje- eller bensinsmitte til luffilter og/eller tennplugg.



ADVARSEL

Når det er nødvendig å velte maskinen for å utføre vedlikehold, må drivstofftanken være tom, ellers kan drivstoff renne ut og forårsake brann eller eksplosjon.

Vi anbefaler at du tar kontakt med et Briggs & Stratton autorisert forhandlerverksted for å få utført alt vedlikeholdsarbeid og service av motoren og de tilhørende delene.

OBS Alle komponenter som er brukt i denne motoren må være montert for at den skal fungerer riktig.



ADVARSEL



En tilfeldig gnist kan forårsake brann eller elektrisk støt.

Utilsiktet oppstart kan resultere i inntilfiring, traumatisk amputasjon eller sårskader.

Brannfare

Før justeringer eller reparasjoner utføres:

- Koble fra tennpluggledningen og fest den på avstand fra tennpluggen.
- Koble fra den negative batteripolen (gjelder kun motorer med elektrisk start).
- Bruk kun riktige verktøy.
- Ikke kluss med regulatorfjærene, forbindelsesleddene eller andre deler for å øke motorturtallet.
- Reservedeler må alltid være av samme type og monteres i samme posisjon som de originale delene. Andre deler kan muligens ikke yte like bra, kan skade enheten og kan resultere i skade.
- Slå aldri på svinghjulet med en hammer eller en annen hard gjenstand da svinghjulet kan spreke senere under drift.

Testing av gnist:

- Bruk godkjent tennpluggtester.
- Ikke sjekk om det er gnist hvis tennpluggen er fjernet.

Avgasskontrollservice

Vedlikehold, utskifting eller reparasjon av avgasskontroll-enheter og systemer kan utføres av ethvert verksted eller av enkeltindivider. Men for å oppnå "gratis" avgasskontroll-service, må arbeidet utføres av en fabrikkautorisert forhandler. Se erklæringene som gjelder avgasskontroll.

Vedlikeholdsplan

Hver 8. time eller daglig
<ul style="list-style-type: none"> Sjekk motorens oljenivå Rengjør området rundt eksospotten og kontrollene
Hver 100. time eller en gang i året
<ul style="list-style-type: none"> Skift ut tennpluggene Skift motorolje Skift ut oljefilteret (hvis montert) Utfør vedlikehold av luffilteret ^{1, 2} Rens forfilteret (hvis montert) ¹ Utfør vedlikehold av eksossystemet
Hver 250. time

- Sjekk ventilklaringen. Justeres hvis nødvendig.

Hver 400. time eller en gang i året

- Skift ut luffilteret ²
- Skift ut drivstoffilteret
- Utfør vedlikehold av kjølesystemet ¹
- Rengjør ribbene på oljekjøleren ¹

Hver 600. time eller en gang i året

- Skift ut sikkerhetsfilteret (hvis montert)

¹ Rengjør oftere hvis arbeidsforholdene er veldig støvete eller hvis mye rusk virvles opp i luften.

² Det indre sikkerhetsfilteret (hvis montert) skal skiftes ut hver tredje gang luffilteret skiftes ut.

Elektronisk drivstoffinnspøyningssystem (EFI)

EFI-systemet overvåker motortemperatur, motorhastighet og batterispenning for motoroppstart og oppvarming. Det finnes ingen justeringer på systemet. Hvis det forekommer start- eller driftsproblemer, ta kontakt med en autorisert Briggs & Stratton serviceforhandler.

OBS Se til at du følger trinnene nedenfor, ellers kan EFI-systemet bli skadet.

- Start aldri motoren hvis batterikablene er løse.
- Drei nøkkelen til av-stilling før du kobler fra, fjerner eller installerer batteriet.
- Bruk aldri en batterilader til å starte motoren.
- Koble aldri fra batterikablene mens motoren er i gang.
- Ved tilkobling av batterikablene koble først til den positive (+) kabelen og koble deretter til den negative (-) kabelen til batteriet.
- Ved lading av batteriet still tenningsbryteren på av-stilling og koble fra den negative (-) batterikabelen fra batteriet.
- Ikke sprut vann direkte på den elektroniske kontrollmodulen.

Forgasser og motorhastighet

Forgasseren eller motorhastigheten må aldri endres. Forgasseren ble innstilt i fabrikk slik at den fungerer effektivt under de fleste forhold. Ikke kluss med regulatorfjæren, forbindelsesledd eller andre deler for å endre motorhastigheten. Hvis det er nødvendig å foreta justeringer, ta kontakt med et autorisert Briggs & Stratton forhandlerverksted for å få arbeidet utført.

OBS Maskinprodusenten spesifiserer maksimal hastighet for motoren som er montert på maskinen. Denne hastigheten må **ikke overskrides**. Hvis du er usikker på hva den maksimale hastigheten til maskinen er, eller hva slags motorhastighet som ble innstilt på fabrikk, ta kontakt med et autorisert Briggs & Stratton forhandlerverksted for å få hjelp. For at maskinen skal fungere på en trygg og riktig måte, må motorhastigheten kun justeres av en kvalifisert mekaniker.

Vedlikehold av tennpluggen.

Se figur: 8

Sjekk elektrodeavstanden (A, Figur 8) med en trådlære (B). Juster elektrodeavstanden hvis det er nødvendig. Sett inn tennpluggen og stram den med anbefalt tiltrekningsmoment. For innstilling av elektrodeavstand eller tiltrekningsmoment, se under **Spesifikasjoner**.

Merk: På enkelte steder må man i henhold til lokale forskrifter bruke en tennplugg av resistortypen for å dempe tennings signaler. Hvis denne motoren opprinnelig hadde en resistortennplugg, må samme type benyttes ved utskifting.

Vedlikehold av eksosystemet



ADVARSEL



Motorer som er i gang utvikler varme. Motordeler, spesielt eksospotter, blir meget varme.

Berøring av slike deler kan forårsake alvorlige brannskader.

Brennbart materiale, slik som løv, gress, småkratt osv., kan antennes.

- La eksospotte, motorsylinder og ribber avkjøles før de berøres.
- Ta bort oppsamlet rusk fra området rundt eksospotten og sylindere.
- Det er et brudd på Californias Lov om offentlige ressurser, seksjon 4442, å bruke eller ha motoren i gang på et skogkledd, kratt-dekket, eller gresskledd stykke land med mindre eksossystemet er utstyrt med en gnistfanger, slik dette er definert i seksjon 4442, og holdt i fullgod stand. Andre stater eller føderale jurisdiksjoner kan ha liknende lover. Kontakt maskinprodusenten, detaljisten eller forhandleren for å få en gnistfanger som er laget til eksossystemet installert på denne motoren.

Ta bort oppsamlet rusk fra området rundt eksospotten og sylindere. Sjekk om eksospotten har sprekker, korrosjon eller annen skade. Fjern ledeplaten eller gnistfangeren, hvis montert, og se etter skader eller karbonblokkering. Hvis det finnes skader, må delene skiftes ut før maskinen brukes.



ADVARSEL

Reservedelene må alltid være av samme type og monteres i samme posisjon som de originale delene. Andre deler kan muligens ikke yte like bra, kan skade enheten og kan resultere i personlige skader.

Skift motorolje

Se Figur: 9, 10, 11

Brukt olje er et farlig avfallsprodukt og må behandles som spesialavfall. Må ikke kastes sammen med husholdningsavfall. Sjekk med lokale myndigheter, servicesenter eller forhandler angående offentlige kasserings-/gjenvinningsanlegg.

Tømming av olje

1. Koble fra tennpluggledningen(e) (D, Figur 9) mens motoren er slått av men fortsatt varm, og hold ledningen(e) unna tennpluggen(e) (E).
2. Ta ut peilepinnen (A, Figur 10).
3. Ta ut oljetappepluggen (F, Figur 11). Tapp av oljen på en godkjent beholder.
4. Sett inn og stram oljetappepluggen (F, Figur 11) etter at oljen er tømt ut.

Skifte av oljefilter, hvis montert

Noen modeller er utstyrt med et oljefilter. Se intervallene for utskifting i **Vedlikeholdsplanen**.

1. Tøm oljen ut av motoren. Se under **Tømming av olje**.
2. Fjern oljefilteret (G, Figur 11) og kast det i henhold til forskriftene.
3. Før du monterer det nye oljefilteret, skal oljefilterpakningen smøres med litt ny, ren olje.
4. Skru inn det nye oljefilteret for hånd helt til pakningen kommer i kontakt med oljefilteradapteren, og stram det deretter 1/2 til 3/4 omdreining.
5. Påfylling av olje Se under **Påfylling av olje**.
6. Start og kjør motoren. Sjekk om det er oljelekkasjer ettersom motoren varmes opp.
7. Ta ut peilepinnen og sjekk oljenivået. Riktig oljenivå er øverst på full-indikatoren (B, Figur 10) på peilepinnen.

Påfylling av olje

- Sjekk at motoren står vannrett.
 - Rengjør området rundt oljepåfyllingen for å fjerne alt rusk.
 - Se under **Spesifikasjoner** for oljekapasiteten.
1. Ta ut peilepinnen (A, Figur 10) og tørk av den med en ren klut.
 2. Hell oljen sakte i motoroljepåfyllingen (C, Figur 10). **Ikke overfyll**. Etter å ha fylt på olje, vent ett minutt og sjekk deretter oljenivået.
 3. Sett inn og stram peilepinnen (A, Figur 10).
 4. Ta ut peilepinnen og sjekk oljenivået. Riktig oljenivå er øverst på full-indikatoren (B, Figur 10) på peilepinnen.
 5. Sett inn og stram peilepinnen (A, Figur 10).
 6. Koble tennpluggledningen(e) (D, Figur 9) til tennpluggen(e) (E).

Utfør vedlikehold på luftfilteret

Se Figur: 12, 13



ADVARSEL

Drivstoff og drivstoffdamp er meget brannfarlig og eksplosiv.

En brann eller eksplosjon kan føre til alvorlige brannskader eller dødsfall.

- Motoren må aldri startes og kjøres hvis luftfilterenheten (hvis montert) eller luftfilteret (hvis montert) er tatt av.

OBS Bruk ikke trykkluft eller løsemidler til å rengjøre filteret. Trykkluft kan skade filteret og løsemidler vil gjøre at filteret går i oppløsning.

Se **Vedlikeholdsplanen** for informasjon om service.

Motoren har enten et skumfilter eller et papirfilter, avhengig av modell. Enkelte modeller er også utstyrt med et forfilter som kan vaskes og brukes om igjen. Sammenligne illustrasjonene i denne håndboken med typen som er montert på din motor og utfør vedlikeholdet i henhold til dette.

Papirluftfilter

1. Løsne festet (festene) (A, Figur 12) og ta av dekslet (B).
2. Fjern luftfilteret (C, Figur 12).
3. Bank luftfilteret forsiktig mot en hard flate for å løsne smuss. Hvis luftfilteret er veldig skittent, bytt det ut med et nytt luftfilter.
4. Sikkerhetsfilteret (D, Figur 12), hvis montert, fjernes ved å trekke det forsiktig bort fra luftfilterhuset (E). Pass på at det ikke kommer smuss eller rusk inn i motoren.
5. Sett det nye sikkerhetsfilteret (D, Figur 12) i luftfilterhuset (E).
6. Sett luftfilteret (C, Figur 12) over sikkerhetsfilteret (D).
7. Sett på dekslet (B, Figur 12) og lukk med festet (festene) (A).

Papirluftfilter

1. Fjern festet (festene) (A, Figur 13).
2. Fjern dekslet (B, Figur 13).
3. Fjern festet (festene) (C, Figur 13) og holderen (D).
4. Fjern luftfilteret (E, Figur 13).
5. Ta forfilteret (F, Figur 13), hvis montert, av luftfilteret (E).
6. Bank luftfilteret (E, Figur 13) forsiktig mot en hard flate for å løsne smuss. Hvis luftfilteret er veldig skittent, bytt det ut med et nytt luftfilter.
7. Vask forfilteret (F, Figur 13), hvis montert, i flytende vaskemiddel og vann. La forfilteret lufttørkes slik at det er helt tørt. **Forfilteret skal ikke oljes**.
8. Sett det tørre forfilteret (F, Figur 13), hvis montert, på luftfilteret (E).
9. Sett inn luftfilteret (E, Figur 13) og fest det med holderen (D) og festet (festene) (C).
10. Sett på dekslet (B, Figur 13) og fest det med festet (festene) (A). Sjekk at festet (festene) sitter stramt.

Utfør vedlikehold av drivstoffsystemet

Se Figur: 14



ADVARSEL

Drivstoff og drivstoffdamp er meget brannfarlig og eksplosiv.

Brann eller eksplosjon kan forårsake alvorlige brannskader eller død.

- Hold drivstoff unna gnister, åpen flamme, tennflammer, varme og andre tennkilder.
- Kontroller drivstoffslanger, tank, lokk og fester ofte for sprekker og lekkasjer. Skift ut om nødvendig.
- Tøm drivstofftanken eller steng drivstoffkranen før du renser eller bytter drivstofffilteret.
- Hvis du har sølt bensin, må du vente til den har fordampet før du starter opp motoren.
- Reservedelene må være av samme type og installeres i samme posisjon som originaldelene.

Drivstofffilter, hvis montert

1. Før du skifter ut drivstofffilter (A, Figur 14), hvis montert, tøm drivstofftanken eller steng drivstoffkranen. Hvis ikke kan drivstoff lekke ut og forårsake brann eller eksplosjon.
2. Bruk en tang til å klemme ned tappene (B, Figur 14) på klemmene (C), og skyv deretter klemmene bort fra drivstofffilteret (A). Vri og trekk drivstoff-ledningene (D) av drivstofffilteret.

- Sjekk drivstofflinjene (D, Figur 14) for sprekker eller lekkasjer. Skift ut om nødvendig.
- Skift ut drivstofffilteret - (A, Figur 14) med et originalt erstatningsfilter.
- Fest drivstofflinjene (D, Figur 14) med klemmer (C) som vist.

Vedlikehold av kjølesystemet

Se Figur: 15, 16



ADVARSEL

Motorer som er i gang utvikler varme. Motordeler, spesielt eksospotter, blir veldig varme.

Berøring av slike deler kan forårsake alvorlige brannskader.

Brennbart materiale, slik som løv, gress, småkratt osv., kan antennes.

- La eksospotten, motorsylinderen og ribbene avkjøles før de berøres.
- Ta bort oppsamlet rusk fra området rundt eksospotten og sylinderen.

OBS Motoren må aldri rengjøres med vann. Vann kan forurense drivstoffsystemet. Bruk en børste eller en tørr klut til å rengjøre motoren.

Dette er en luftkjølt motor. Skitt eller rust kan hemme luftstrømmen og føre til at motoren overopphetes slik at den gir dårlig ytelse og får kortere levetid.

2. Bruk en børste eller en tørr klut til å fjerne rusk fra luftinntaksområdet (A, Figur 15).
- Hold forbindelsesledd, fjærer og kontroller (B, Figur 15, 16) rene.
- Hold området rundt og bak eksospotten (C, Figur 15, 16) fritt for brennbart materiale.
- Sjekk at oljekjølerribbene (D, Figur 15) er frie for smuss og rusk.
- Løsne festet (festene) (E, Figur 16) helt til du hører et klikk. Ta av panelet (F) og fjern smuss og rusk fra området. Sørg for at panelets underside også er rent.
- Sett på panelet (F, Figur 16) og fest det med festet (festene) (E). Stram festet (festene) til du hører et klikk.

Rusk kan samle seg over tid i sylinderens kjøleribber og føre til at motoren overopphetes. Rusk kan ikke fjernes uten at motoren delvis demonteres. Be et autorisert Briggs & Stratton forhandlerverksted om å inspisere og rengjøre luftkjølesystemet slik som anbefalt i Vedlikeholdsplanen.

Oppbevaring



ADVARSEL

Drivstoff og drivstoffdamp er ekstremt lett antenkelige og eksplosive.

Brann eller eksplosjon kan forårsake alvorlige brannskader eller død.

Ved oppbevaring av drivstoff eller utstyr med drivstoff i tank

- må det ikke oppbevares i nærheten av fyringsanlegg, ovner, varmtvannsberedere eller annet utstyr med tennflamme eller andre antenningskilder, da de kan antenne drivstoffdamp.

Drivstoffsystemet

Se Figur: 17

Motoren skal stå vannrett (i normal driftsposisjon) under lagringen. Fyll drivstofftank (A, Figur 17) med drivstoff. For å gi plass til å la drivstoffet utvide seg, fyll ikke til over drivstofftankens hals (B).

Drivstoff kan bli ødelagt når det oppbevares lenger enn over 30 dager. Gammelt drivstoff forårsaker dannelse av syre og gummiavløring i drivstoffsystemet eller på vesentlige forgasserdelene. For å holde drivstoffet friskt, bruk **Briggs & Stratton Advanced Formula drivstofftilsetning og stabilisator**, tilgjengelig overalt hvor Briggs & Strattons ekte servicedeler selges.

Det er ikke nødvendig å tappe bensin fra motoren hvis en drivstoff-stabilisator tilsettes i samsvar med instruksjonene. Kjør motoren i to (2) minutter for å la stabilisatoren få sirkulere i hele drivstoffsystemet før lagring.

Hvis bensinen i motoren ikke har vært behandlet med en drivstoffstabilisator, bør den tappes ut og opp i en godkjent beholder. Kjør motoren til den stopper pga. mangel på drivstoff. Bruken av en drivstoffstabilisator i lagringstanken anbefales for å opprettholde ferskhet.

Motorolje

Skift olje mens motoren ennå er varm. Se avsnittet om **Oljeskift**.

Problemløsning

Hvis du trenger hjelp, ta kontakt med din lokale forhandler eller gå inn på VanguardEngines.com eller ring **1-800-999-9333** (i USA).

Spesifikasjoner

Modell: 540000	
Sylindervolum	54.68 ci (896 cc)
Bor	3.366 in (85,5 mm)
Slaglengde	3.071 in (78,0 mm)
Oljekapasitet	78 - 80 oz (2,3 - 2,4 L)
Tennpluggens elektrodeavstand	.030 in (.76 mm)
Tennpluggens tiltrekningsmoment	180 lb-in (20 Nm)
Tennspolens luftspalte	.005 - .008 in (.13 - .20 mm)
Klaring for inntaksventil	.004 - .006 in (.10 - .15 mm)
Eksosventil Klaring	.007 - .009 in (.18 - .23 mm)

Modell: 610000, 61E100	
Sylindervolum	60.60 ci (993 cc)
Bor	3.366 in (85,5 mm)
Slaglengde	3.406 in (86,5 mm)
Oljekapasitet	78 - 80 oz (2,3 - 2,4 L)
Tennpluggens elektrodeavstand	.030 in (.76 mm)
Tennpluggens tiltrekningsmoment	180 lb-in (20 Nm)
Tennspolens luftspalte - Forgassermodellene	.005 - .008 in (.13 - .20 mm)
Klaring for inntaksventil	.004 - .006 in (.10 - .15 mm)
Eksosventil Klaring	.007 - .009 in (.18 - .23 mm)

Motorens ytelse vil reduseres med 3,5 % for hver 300 meter (1000 fot) over havet, og med 1 % for hver 5,6 °C (10 °F) over 25 °C (77 °F). Motoren vil fungere tilfredsstillende ved en vinkel på opp til 15°. Se maskinens brukerhåndbok for tillatt trygg arbeidsvinkel i bakker.

Reservedeler - Modell: 540000, 610000, 61E100	
Reservedel	Delenummer
Syklonisk luftfilter (Figur 12)	841497
Syklonisk sikkerhetsfilter (Figur 12)	821136
Luftfilter, lav profil (Figur 13)	692519
Forfilter, lav profil (Figur 13)	692520
Olje - SAE 30	100028
Oljefilter	842921
Advanced Formula drivstofftilsetning og stabilisator	100117, 100120
Drivstofffilter	691035
Resistor Tennplugg	491055
Long Life Platinum-tennplugg	5066
Tennpluggnøkkel	19374
Gnistester	19368

Vi anbefaler at du tar kontakt med et autorisert Briggs & Stratton forhandlerverksted for å få utført all vedlikeholdsarbeid og service av motoren og de tilhørende delene.

Effektberegning: Brutto effektberegning for individuelle bensinmotorer er merket i henhold til SAE-kode (Society of Automotive Engineers) J1940 Small Engine Power & Torque Rating Procedure, og er klassifisert i henhold til SAE J1995. Dreiemomentverdiene hentes ut ved 2600 RPM for motorer der "rpm" er nevnt på merket, og 3060 RPM for alle andre. Verdiene for hestekrefter hentes ut ved 3600 RPM. Bruttoeffektkurver kan sees på www.BRIGGSandSTRATTON.COM. Nettoeffektverdiene er målt med eksos- og luftfilter installert, mens bruttoeffektverdier er målt uten at disse er monteret. Reell brutto motoreffekt vil være høyere enn netto motoreffekt og påvirkes av blant annet forhold i omgivelsene og variasjoner fra motor til motor. På grunn av det brede spektret av produkter som motorene er monteret på, kan det hende at en bensinmotor ikke vil oppnå nominell bruttoeffekt når den brukes i et bestemt stykke motordrevet utstyr. Denne forskjellen skyldes en rekke

faktorer, inkludert, men ikke begrenset til, variasjonen i motordeler (luftfilter, eksos, lader, kjøleanlegg, forgasser, drivstoffpumpe osv.), begrensninger i bruk, forhold i omgivelsene (temperatur, fuktighet, høyde), og variasjoner fra motor til motor. Grunnet begrensninger i produksjon og kapasitet, kan Briggs & Stratton erstatte en motor med høyere nominell effekt for denne motoren.

Garanti

Briggs & Stratton motorgaranti

Gyldig fra januar 2017

Begrenset garanti

Briggs & Stratton garanterer at i løpet av garantiperioden slik som angitt nedenfor, vil foretaket sørge for å gratis reparere eller skifte ut alle deler som er defekt pga. svikt i materiale, evt. utførelse eller begge deler. Transportkostnader for et produkt som sendes inn for reparasjon eller utskifting av deler som faller inn under denne garantien, må dekkes av kjøperen. Denne garantien er kun gyldig for og er underlagt den tidsperioden og de vilkårene som er nevnt nedenfor. Finn nærmeste autoriserte servicesenter ved hjelp av forhandlerkartet på BRIGGSandSTRATTON.COM. Kjøperen må kontakte autorisert serviceforhandler og deretter gjøre produktet tilgjengelig for den autoriserte forhandleren for inspeksjon og testing.

Det finnes ingen andre eksplisitte garantier. Underforståtte garantier, herunder om salgbarhet og egnethet for et bestemt formål er begrenset til garantitiden oppgitt nedenfor, eller til det som loven tillater. Ansvar for tilfældige skader eller følgeskader er utelukkert i den grad utelukkelse er tillatt ved lov. Noen stater eller land tillater ikke begrensninger på hvor lang tid en implisitt garanti gjelder og noen stater eller land tillater ikke utelukkelse eller begrensning av tilfældige skader eller følgeskader, slik at det er ikke sikkert at begrensningen eller utelukkelsen over gjelder for deg. Denne garantien gir deg spesifikk lovmessige og andre rettigheter som kan variere fra land til land ⁴.

Standard garantivilkår 1, 2, 3

Merke / Produktnavn	Til bruk for forbrukere	Profesjonell bruk
Vanguard™; Kommersiell serie	36 måneder	36 måneder
Motorer med Dura-Bore™ støpejernsforing	24 måneder	12 måneder
Alle andre motorer	24 måneder	3 måneder

¹Det er våre standard garantivilkår, men noen ganger kan det være ekstra garantidekning som ikke var bestemt på det tidspunktet dokumentasjonen gikk i trykken. For å se en liste over aktuelle garantivilkår for din maskin, gå inn på BRIGGSandSTRATTON.com eller henvend deg til ditt autoriserte Briggs & Stratton forhandlerverksted.

²Det er ingen garanti på motorer på utstyr som brukes til hoveddrivkraft istedet for hjelpedrivkraft eller til reservegeneratorer som brukes kommersielt. Motorer som er brukt til konkurransekjøring eller på kommersielle eller utleide baner er ikke dekket av garantien.

³Vanguard montert på reservegeneratorer: 24 måneder for privat bruk, ingen garanti for forretningsmessig bruk. Vanguard montert på nyttekjøretøy: 24 måneder for privat bruk, 24 måneder for forretningsmessig bruk. Kommersiell serie med produksjonsdato før juli 2017, 24 måneders forbrukerbruk, 24 måneders forretningsmessig bruk.

⁴I Australia har våre varer garantier som ikke kan ekskluderes etter den australske forbrukerloven. Du har krav på erstatning eller refusjon for større svikt og kompensasjon for alt annet rimelig forutsigbart tap eller skade. Du har også rett til å få varene reparert eller skiftet ut dersom varene viser seg å ikke være av akseptabel kvalitet og svikten ikke er en stor svikt. For service under garantien, finn nærmeste autoriserte forhandlerverksted på kartet over forhandlere på BRIGGSandSTRATTON.com, eller ved å ringe 1300 274 447, eller ved å sende e-post eller skrive til salesenquiries@briggsandstratton.com.au, Briggs & Stratton Australia Pty Ltd, 1 Moorebank Avenue, Moorebank, NSW, Australia, 2170.

Garantiperioden begynner på den originale salgsdatoen til første forbruker eller kommersielle kunde. Med "privat bruk" menes personlig bruk av en forbruker i tilknytning til en husholdning som har skaffet seg varen fra en detaljhandler. "Forretningsmessig bruk" betyr all annen bruk, inkludert bruk for kommersielt, forretningsmessig eller utleieførmål. Så snart en motor er blitt anvendt til profesjonelt bruk, vil den deretter bli betraktet som en kommersiell motor med hensyn til garantien.

Ta vare på kvitteringen som bevis på kjøp. Hvis du ikke skaffer til veie bevis på den opprinnelige kjøpsdatoen på det tidspunktet du gjør garantien gjeldende, vil produksjonsdatoen på produktet brukes til å fastsette garantiperioden.

Produktregistrering er ikke nødvendig for å gjøre garantien gjeldende for Briggs & Stratton-produkter.

Om din garanti

Denne begrensede garantien dekker kun defekter på materialer og/eller utførelse av arbeid på motoren, og ikke erstatning eller tilbakebetaling for utstyret som motoren eventuelt er montert på. Rutinemessig vedlikehold, trimming, justeringer eller normal slitasje dekkes ikke av denne garantien. Garantien er heller ikke gyldig hvis motoren er blitt endret eller modifisert eller hvis motorens serienummer er ødelagt eller fjernet. Denne garantien dekker ikke skader på motor eller problemer med tyelse forårsaket av:

1. Bruk av deler som ikke er originale Briggs & Stratton-deler;
2. Bruk av motoren med for lite olje, forurenset olje eller feil type olje;
3. Bruk av forurenset eller gammelt drivstoff, bensin som inneholder mer enn 10 % etanol, eller bruk av alternativt drivstoff slik som forskjellige typer flytende petroleum eller naturgass i motorer som ikke opprinnelig var konstruert/produert av Briggs & Stratton til å bruke slike drivstofftyper;
4. Smuss som har kommet inn i motoren som resultat av feil vedlikehold eller feil montering av luftfilteret;
5. At kniven på en roterende gressklipper har truffet en gjenstand, løse eller feil monterte knivadapere, viftehjul eller andre deler som er koblet til veivakselen, eller at v-remmen er for stram;
6. Tilhørende deler eller enheter slik som kløtsjer, transmisjoner, kontroller for utstyr osv. som ikke er levert av Briggs & Stratton;
7. Overoppheting som resultat av at gressrester, rusk og partikler eller musereir blokkerer eller tetter igjen kjøleribbene eller svinghjulet, eller skader forårsaket av at motoren er blitt brukt på steder uten tilstrekkelig ventilasjon;
8. Sterk vibrasjon forårsaket av for høyt turtall, at motoren sitter løst, løstsittende eller ubalanserte kniver eller viftehjul, eller at utstyr er feil montert på veivakselen;
9. Feil bruk, manglende rutinemessig vedlikehold, transport, håndtering eller lagring av utstyr, eller feil montering av motoren.

Garantiservice er kun tilgjengelig gjennom Briggs & Strattons autoriserte servicesentre. Finn ditt nærmeste autoriserte forhandlerverksted på vårt kart over forhandlere på BRIGGSandSTRATTON.COM eller ved å ringe 1-800-233-3723 (in USA).

80004537 (Rev. C)

Este manual contém informações de segurança para o informar dos perigos e riscos associados à máquina e de como evitá-los. Contém igualmente instruções para usar e cuidar adequadamente do motor. Dado que a Briggs & Stratton Corporation não conhece necessariamente que equipamento este motor vai accionar, é importante que leia e compreenda estas instruções e as instruções relativas ao equipamento. **Guarde estas instruções originais para consulta futura.**

Nota: As figuras, ilustrações e imagens neste manual são apenas para referência, e podem diferir do seu modelo específico. Contacte o seu concessionário se tiver alguma dúvida.

Para solicitar peças de substituição ou assistência técnica, registre o modelo do motor, o tipo e os códigos numéricos bem como a data de aquisição. Estes números encontram-se no seu motor (consulte a secção **Características e Controlos**).

Data de aquisição	
Modelo do Motor - Tipo - Guarnição	
Número de Série do Motor	

Procure o código de barras 2D que se encontra em alguns motores. Quando visualizado com um dispositivo 2D adequado, o código revela o nosso website onde pode aceder a informações de apoio para este produto. Aos dados aplicam-se taxas. Em alguns países podem não estar disponíveis informações de apoio on-line.



Informação de Reciclagem



Os materiais de embalagem, óleos usados e baterias devem ser reciclados em conformidade com as regulamentações oficiais aplicáveis.

Segurança do utilizador

Símbolo de Alerta de Segurança e Palavras-sinal

O símbolo de alerta de segurança é usado para identificar informação de segurança sobre perigos que possam provocar ferimentos pessoais. É utilizada, com o sinal, uma palavra (PERIGO, ATENÇÃO ou CUIDADO) para identificar a probabilidade e a potencial gravidade dos ferimentos. Para além disso, pode ser utilizado um símbolo de perigo para representar o tipo de perigo.

PERIGO indica um perigo que, caso não seja evitado, **irá resultar em morte ou ferimentos graves.**

ATENÇÃO indica um perigo que, caso não seja evitado, **pode resultar em morte ou ferimentos graves.**

CUIDADO indica um perigo que, caso não seja evitado, **pode resultar em ferimentos ligeiros ou moderados.**

AVISO indica uma situação que **pode resultar em danos para o produto.**

Símbolos de Segurança e Respectivos Significados

Símbolo	Significado	Símbolo	Significado
	Informação de segurança sobre perigos que possam provocar ferimentos pessoais.		Deve ler e compreender o Manual do Utilizador antes de trabalhar ou intervir na unidade.
	Perigo de incêndio		Perigo de explosão.
	Perigo de choque		Perigo de fumos tóxicos
	Perigo de superfície quente		Perigo de ruído - Recomendável colocar protecção auricular em usos prolongados.
	Perigo de projecção de objectos - Colocar protecção ocular.		Perigo de explosão.
	Perigo de queimadura pelo frio		Perigo de contragolpe (coice)
	Perigo de amputação - peças móveis		Perigo químico
	Perigo térmico		Corrosivo

Mensagens de Segurança



ADVERTÊNCIA

Certos componentes neste produto e os seus acessórios relacionados contêm produtos químicos conhecidos pelo Estado da Califórnia por provocar cancro, malformações congénitas, ou outros danos reprodutivos. Lave as mãos após manuseamento.



ADVERTÊNCIA

O escape do motor deste produto contêm produtos químicos conhecidos pelo Estado da Califórnia por provocar cancro, malformações congénitas, ou outros danos reprodutivos.



ADVERTÊNCIA

Os motores da Briggs & Stratton não foram concebidos nem devem ser usados para accionar: karts de diversão; karts reais; veículos todo-terreno desportivos, para crianças, ou recreativos (ATV); motos; hovercraft; produtos aeronáuticos; ou veículos usados em provas de competição não aprovadas pela Briggs & Stratton. Para obter informações sobre produtos de competição, consulte www.briggsracing.com. Se pretender usar com ATV utilitários e "side-by-side", deve contactar o Briggs & Stratton Engine Application Center, 1-866-927-3349. A aplicação inadequada de motores pode provocar a morte ou ferimentos graves.



ADVERTÊNCIA



O combustível e os seus vapores são extremamente inflamáveis e explosivos.

Um incêndio ou explosão podem causar queimaduras graves ou a morte.

Quando Adicionar Combustível

- Desligue o motor e deixe-o arrefecer durante pelo menos 2 minutos antes de remover o tampão do combustível.
- Encha o depósito de combustível ao ar livre ou numa área bem ventilada.
- Não encha demais o depósito de combustível. Para permitir a expansão do combustível, não encha acima do fundo do pescoço do depósito de combustível.
- Mantenha o combustível afastado de faíscas, chamas abertas, chamas piloto, calor, e outras fontes de ignição.
- Verifique se existem rachas ou fugas nas linhas do combustível, depósito, tampão e acessórios. Substitua se necessário.
- Se derramar combustível, aguarde até que este evapore antes de colocar o motor em funcionamento.

Quando colocar o Motor em funcionamento

- Assegure que a vela de ignição, silenciador, tampão do combustível e purificador do ar (se instalado) estão em posição e fixos.
- Não acione o motor com a vela de ignição removida.
- Se o motor estiver imerso em óleo, defina o estrangulador (se instalado) para a posição OPEN/RUN (ABERTO/FUNIONAMENTO), desloque a válvula reguladora (se instalada) para a posição FAST (RÁPIDO) e acione até que o motor arranque.

Quando Operar o Equipamento

- Não incline o motor ou o equipamento ao ponto de derramar combustível.
- Não estrangule o carburador para parar o motor.
- Nunca coloque em funcionamento ou opere o motor com o conjunto do purificador do ar (se instalado) ou o filtro do ar (se instalado) removidos.

Quando Mudar o Óleo

- Se drenar o óleo a partir do tubo de enchimento de óleo superior, o depósito de combustível deve estar vazio ou o combustível pode vaziar e resultar num incêndio ou explosão.

Ao inclinar a unidade para manutenção

- Ao executar uma intervenção de manutenção que exija inclinar a unidade, o depósito de combustível, se estiver montado no motor, deve estar vazio ou o combustível pode vaziar e provocar um incêndio ou uma explosão.

Quando Transportar o Equipamento

- Transportar com o depósito de combustível VAZIO ou com a válvula de corte de combustível na posição CLOSED (FECHADA).

Quando Armazenar Combustível Ou Equipamento com Combustível No Depósito

- Armazene afastado de fomalhas, fogões, aquecedores de água ou outros aparelhos que tenham chamas piloto ou outras fontes de ignição porque estas podem incendiar os vapores do combustível.



AVERTÊNCIA

A ligação do motor provoca faísca.

A faísca pode inflamar os gases inflamáveis próximos.

Pode resultar em explosão e incêndio.

- Se houver fuga de gás natural ou GPL na área, não ligue o motor.
- Não utilize fluidos de arranque pressurizados porque os vapores são inflamáveis.



AVERTÊNCIA

PERIGO DE GÁS VENENOSO O escape do motor contém monóxido de carbono, um gás venenoso que pode ser fatal em poucos minutos. NÃO é visível, NÃO tem cheiro, NÃO tem sabor. Mesmo que não sinta o cheiro dos gases de escape, não deixa de estar exposto ao gás monóxido de carbono. Se começar a sentir-se doente, com tonturas ou fraqueza ao usar este produto, dirija-se DE IMEDIATO para um local bem ventilado. Consulte um médico. Pode estar com envenenamento por monóxido de carbono.

- Opere este produto APENAS no exterior, afastado das janelas, portas e aberturas, para reduzir o risco de acumulação de gás de monóxido de carbono e potencialmente ser atraído para espaços ocupados.
- Instale alarmes de monóxido de carbono alimentados a bateria ou de ligação à corrente com bateria de emergência em conformidade com as instruções do fabricante. Os detetores de fumos não detetam o monóxido de carbono gasoso.
- NÃO use este produto no interior de habitações, garagens, caves, espaços com pouca altura, estábulos, ou outros espaços parcialmente fechados ainda que possam existir ventiladores ou portas e janelas abertas para ventilação. O monóxido

de carbono pode acumular-se rapidamente nesses espaços e aí permanecer durante horas, mesmo depois de desligar este produto.

- Coloque SEMPRE este produto num local a favor do vento e aponte o escape do motor afastando-o de espaços ocupados.



AVERTÊNCIA

A retracção rápida do cabo de arranque (coice) irá puxar as mãos e os braços na direcção do motor mais rapidamente do que consegue evitar.

Tal pode provocar ossos partidos, fracturas, hematomas ou entorses.

- Ao colocar o motor em funcionamento, puxe o cabo de arranque lentamente até sentir resistência, e depois puxe rapidamente para evitar o coice.
- Retire todo o equipamento exterior/cargas do motor antes de ligar o motor.
- Componentes de equipamento de ligação directa tais como, entre outros, lâminas, rotores, polias, rodas dentadas, etc., têm de estar bem fixados.



AVERTÊNCIA

As peças rotativas podem tocar ou prender as mãos, pés, cabeça, roupa ou acessórios.

Daqui pode resultar uma amputação traumática ou laceração grave.

- Opere o equipamento com as proteções colocadas.
- Mantenha as mãos e os pés afastados de peças em rotação.
- Prenda o cabelo longo e remova as jóias.
- Não utilize vestuário solto, cordões pendentes ou outros itens que possam ficar presos.



AVERTÊNCIA

O funcionamento dos motores produz calor. As peças do motor, em particular o silenciador, ficam extremamente quentes.

Queimaduras térmicas graves podem ocorrer por contacto.

Entulhos combustíveis, tal como folhas, relva, mato, etc. podem incendiar-se.

- Deixe que o silenciador, o cilindro do motor e palhetas arrefeçam antes de tocar neles.
- Remova o entulho acumulado da área do silenciador e da área do cilindro.
- É uma violação do Código de Recursos Públicos da Califórnia, Secção 4442, usar ou operar o motor em ou perto de qualquer terreno de cobertura florestal, cobertura de arbustos, ou cobertura de relva, a menos que o sistema de escape esteja equipado com um para-chispas que cumpra com todas as leis locais ou estatais aplicáveis. Outras jurisdições estatais ou federais podem ter leis semelhantes. Contacte o fabricante de equipamento original, revendedor ou concessionário, para obter um detentor de faíscas concebido para o sistema de escape instalado neste motor.



AVERTÊNCIA

A ignição involuntária pode resultar num incêndio ou choque eléctrico.

O arranque involuntário pode provocar emaranhamento, amputação traumática, ou laceração.

Perigo de Incêndio

Antes de realizar ajustes ou reparos:

- Desligue o fio da vela de ignição e mantenha-o afastado da vela de ignição.
- Desligue a bateria no terminal negativo (apenas motores com arranque eléctrico).
- Utilize apenas as ferramentas correctas.
- Não tente alterar a mola do regulador do motor, ligações ou outras peças para aumentar a velocidade do motor.
- As peças de substituição devem ter o mesmo desenho e ser instaladas na mesma posição que as peças originais. Outras peças podem não funcionar tão bem, podem danificar a unidade, e podem resultar em lesões.
- Não golpeie o volante do motor com um martelo ou outro objeto duro porque o volante pode mais tarde quebrar durante o funcionamento.

Quanto testar a faísca:

- Use o dispositivo de teste de vela de ignição aprovado.
- Não teste a existência de faíscas com a vela de ignição removida.

Características e Controlos










Controlos do Motor

Compare a imagem (Figura: 1, 2, 3, 4) com o seu motor para se familiarizar com a localização das diferentes características e controlos.

- A. Números de Identificação do Motor **Modelo - Tipo - Código**
- B. Vela de Ignição
- C. Purificador do ar, ciclónico
- D. Purificador do ar, baixo perfil
- E. Vareta
- F. Tubo de enchimento de óleo
- G. Filtro do Óleo
- H. Bujão de Drenagem de Óleo
- I. Sensor da pressão do óleo
- J. Protecção de dedos
- K. Motor de arranque eléctrico
- L. Solenóide do motor de arranque
- M. Regulador/Rectificador
- N. Carburador - Modelos com Carburador
- O. Radiador do óleo (se instalado)
- P. Silenciador (se instalado)
- Q. Bomba do combustível
- R. Interruptor de arranque ¹
- S. Controlo da válvula reguladora ¹
- T. Controlo do Estrangulador - Modelos com Carburador ¹
- U. Filtro de combustível (se instalado)

¹ Alguns motores e equipamentos possuem controlos à distância. Consulte no manual do equipamento a localização e o funcionamento dos controlos à distância.

Símbolos de Segurança do Motor e Respetivos Significados

Símbolo	Significado	Símbolo	Significado
	Velocidade do motor - FAST (RÁPIDA)		Velocidade do motor - SLOW (LENTA)
	Velocidade do motor - STOP (PARADO)		ON - OFF (LIGAR - DESLIGAR)
	Arranque do motor - Estrangulador CLOSED (FECHADO)		Arranque do motor - Estrangulador OPEN (ABERTO)
	Tampão do combustível Válvula de corte de combustível - OPEN (ABERTA)		Válvula de corte de combustível - CLOSED (FECHADA)
	Nível de combustível - Máximo Não encher demais.		

Funcionamento

Recomendações de Óleo

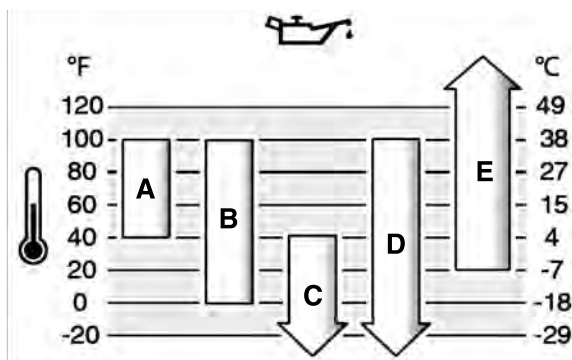
Capacidade de óleo: Veja a *secção de Especificações*.

AVISO

Este motor foi enviado da Briggs & Stratton sem óleo. Os fabricantes ou revendedores de equipamentos podem ter adicionado óleo ao motor. Antes de colocar o motor em funcionamento pela primeira vez, certifique-se de verificar o nível de óleo e adicionar óleo de acordo com as instruções neste manual. Se colocar o motor em funcionamento sem óleo, este ficará danificado sem reparação e não será coberto pela garantia.

Recomendamos o uso de óleos Certificados com Garantia da Briggs & Stratton para um melhor desempenho. Outros óleos detergentes de elevada qualidade são aceitáveis se classificados para o serviço SF, SG, SH, SJ ou superior. Não use aditivos especiais.

As temperaturas exteriores determinam a viscosidade de óleo adequada para o motor. Utilize a tabela para seleccionar a melhor viscosidade para o intervalo de temperatura exterior esperado. Os motores na maioria dos equipamentos de energia ao ar livre funcionam bem com óleo sintético 5W-30. Para equipamentos utilizados em temperaturas quentes, o óleo sintético Vanguard™ 15W-50 fornece a melhor protecção.



A	SAE 30 - Abaixo de 4 °C (40 °F) a utilização de SAE 30 irá resultar num arranque complicado.
B	10W-30 - Acima de 27 °C (80 °F) a utilização de 10W-30 pode causar o aumento do consumo de óleo. Verifique o nível de óleo mais frequentemente.
C	5W-30
D	Sintético 5W-30
E	Vanguard™ Synthetic 15W-50

Verifique o nível do óleo

Ver Figura: 5

Antes de adicionar ou verificar o óleo

- Certifique-se de que a unidade está nivelada.
- Limpe a área de enchimento do óleo de quaisquer resíduos.

1. Remova a vareta (A, Figura 5) e limpe com um pano limpo.
2. Insira completamente a vareta (A, Figura 5).
3. Remova a vareta e verifique o nível do óleo. O nível do óleo correcto é no topo do indicador de cheio (B, Figura 5) da vareta.
4. Se o nível de óleo estiver baixo, adicione óleo lentamente no depósito de óleo do motor (C, Figura 5). **Não encher demais.** Depois de adicionar o óleo, aguarde um minuto e depois volte a verificar o nível do óleo.
5. Insira completamente a vareta (A, Figura 5).

Sistema de protecção de baixo nível de óleo (caso exista)

Alguns motores estão equipados com um sensor de baixo nível de óleo. Se o nível de óleo estiver baixo, o sensor pode activar um dispositivo de aviso ou desligar o motor. Desligue o motor e siga os passos indicados antes de ligar de novo o motor.

- Certifique-se de que a unidade está nivelada.
- Verifique o nível do óleo. Consulte a *secção Verificar nível de óleo*.
- Se o nível de óleo estiver baixo, acrescente a quantidade de óleo adequada. Ligue o motor e verifique se o dispositivo de aviso (caso exista) não está activado.

- Se o nível de óleo não estiver baixo, não ligue o motor. Contacte um Concessionário de Assistência Autorizado Briggs & Stratton para corrigir o problema do óleo.

Recomendações de Combustível

O combustível deve cumprir com estes requisitos:

- Gasolina limpa, fresca e sem chumbo.
- Um mínimo de 87 octanas/87 AKI (91 RON). Uso em altitude elevada, ver em baixo.
- Gasolina com até 10% de etanol (gasool) é aceitável.

AVISO Não use gasolinas não aprovadas, tal como a E15 e a E85. Não misture óleo na gasolina nem modifique o motor para funcionar com combustíveis alternativos. O uso de combustíveis não aprovados provocará danos nos componentes do motor e anulará a garantia do motor.

Para proteger o sistema de combustível da formação de goma, misture um estabilizador de combustível no combustível. Ver **Armazenagem**. Os combustíveis não são todos iguais. Se ocorrerem problemas de arranque ou de desempenho, troque de fornecedores de combustível ou troque de marcas. Este motor está certificado para funcionar com gasolina. O sistema de controlo de emissões para este motor é EM (Modificações do Motor).

Altitude Elevada

A altitudes acima dos 1524 metros (5000 pés), é aceitável uma gasolina com um mínimo de 85 octanas/85 AKI (89 RON).

Para motores com carburador, o ajuste de altitude elevada é necessário para manter o desempenho. A operação sem este ajuste irá causar uma diminuição de desempenho, o aumento do consumo de combustível e o aumento das emissões. Consulte um Concessionário Autorizado da Briggs & Stratton para informações sobre o ajuste para grande altitude. A operação do motor a altitudes abaixo dos 762 metros (2.500 pés) com o kit de altitude elevada não é recomendada.

Para motores com Injecção Electrónica de Combustível (EFI), não é necessário qualquer ajuste de altitude elevada.

Adicionar combustível

Ver Figura: 6



O combustível e os seus vapores são extremamente inflamáveis e explosivos.

Um incêndio ou explosão podem causar queimaduras graves ou a morte.

Quando Adicionar Combustível

- Desligue o motor e deixe-o arrefecer durante pelo menos 2 minutos antes de remover o tampão do combustível.
 - Encha o depósito de combustível ao ar livre ou numa área bem ventilada.
 - Não encha demais o depósito de combustível. Para permitir a expansão do combustível, não encha acima do fundo do pescoço do depósito de combustível.
 - Mantenha o combustível afastado de faíscas, chamas abertas, chamas piloto, calor, e outras fontes de ignição.
 - Verifique se existem rachas ou fugas nas linhas do combustível, depósito, tampão e acessórios. Substitua se necessário.
 - Se derramar combustível, aguarde até que este evapore antes de colocar o motor em funcionamento.
1. Limpe a área do tampão de combustível de sujidade e entulho. Remova o tampão do combustível.
 2. Encha o depósito de combustível (A, Figura 6) com combustível. Para permitir a expansão do combustível, não encha acima do fundo do pescoço do depósito de combustível (C).
 3. Instale de novo o tampão do combustível.

Ligar e Desligar o motor

Ver Figura: 7

Ligar o Motor



O combustível e os seus vapores são extremamente inflamáveis e explosivos.

Um incêndio ou explosão podem causar queimaduras graves ou a morte.

Quando Colocar o Motor em Funcionamento

- Assegure que a vela de ignição, silenciador, tampão do combustível e purificador do ar (se instalado) estão em posição e fixos.
- Não accione o motor com a vela de ignição removida.
- Se o motor estiver imerso em óleo, defina o estrangulador (se instalado) para a posição OPEN/RUN (ABERTO/FUNCIONAMENTO), desloque a válvula reguladora (se instalada) para a posição FAST (RÁPIDO) e accione até que o motor arranque.



PERIGO DE GÁS VENENOSO O escape do motor contém monóxido de carbono, um gás venenoso que pode ser fatal em poucos minutos. NÃO é visível, NÃO tem cheiro, NÃO tem sabor. Mesmo que não sinta o cheiro dos gases de escape, não deixa de estar exposto ao gás monóxido de carbono. Se começar a sentir-se doente, com tonturas ou fraqueza ao usar este produto, desligue-o e dirija-se DE IMEDIATO para um local bem ventilado. Consulte o médico. Pode estar com envenenamento por monóxido de carbono.

- Trabalhe com este produto UNICAMENTE no exterior, longe de janelas, portas e entradas de ventilação para reduzir o risco de acumulação de monóxido de carbono gasoso e do possível arrastamento para espaços frequentados.
- Instale alarmes de monóxido de carbono alimentados a bateria ou de ligação à corrente com bateria de emergência em conformidade com as instruções do fabricante. Os detectores de fumos não detectam o monóxido de carbono gasoso.
- NÃO use este produto no interior de habitações, garagens, caves, espaços com pouca altura, estábulos, ou outros espaços parcialmente fechados ainda que possam existir ventiladores ou portas e janelas abertas para ventilação. O monóxido de carbono pode acumular-se rapidamente nesses espaços e aí permanecer durante horas, mesmo depois de desligar este produto.
- Coloque SEMPRE este produto num local a favor do vento e aponte o escape do motor afastando-o de espaços ocupados.

AVISO Este motor foi enviado da Briggs & Stratton sem óleo. Antes de colocar o motor em funcionamento, assegure-se que adiciona óleo de acordo com as instruções neste manual. Se colocar o motor em funcionamento sem óleo, este ficará danificado sem reparação e não será coberto pela garantia.

Determinar o Sistema de Arranque

Antes de ligar o motor, tem de determinar o tipo de sistema de arranque que está no seu motor. O seu motor dispõe de um dos seguintes tipos.

- **Sistema de Injecção Electrónica de Combustível (EFI):** Possui Injecção Electrónica de Combustível. Não possui estrangulador nem bomba auxiliar de arranque.
- **Sistema do Estrangulador:** Apresenta um estrangulador para utilizar quando se arranca com temperaturas frias. Alguns modelos apresentam um controlo do estrangulador separado enquanto outros combinam o controlo estrangulador e válvula reguladora. Este tipo não dispõe de bomba auxiliar de arranque.

Nota: O equipamento pode ter controlos à distância. Consulte no manual do equipamento a localização e o funcionamento dos controlos à distância.

Sistema de Injecção Electrónica de Combustível (EFI)

1. Verifique o óleo do motor. Consulte a secção **Verificar nível de óleo**.
2. Assegure-se que os controlos de direcção do equipamento estão desengatados.
3. Rode a válvula de corte de combustível (A, Figura 7), se instalada, para a posição OPEN (ABERTA).
4. Desloque o controlo da válvula reguladora (B, Figura 7), se instalado, para a posição FAST (rápido). Opere o motor na posição de rápido.
5. Empurre o interruptor de paragem (D, Figura 7), se instalado, para a posição ON (LIGADO).
6. Rode o arrancador eléctrico (E, Figura 7) para a posição ON (LIGADO) ou START (ARRANQUE).

AVISO Para aumentar a vida do motor de arranque, use ciclos de arranque curtos (máximo de cinco segundos). Aguarde um minuto entre ciclos de arranque.

Nota: Se o motor não arrancar após várias tentativas, contacte o seu concessionário local ou vá a VanguardEngines.com ou ligue para 1-800-999-9333 (nos EUA).

Sistema do Estrangulador

1. Verifique o óleo do motor. Consulte a secção **Verificar nível de óleo**.
2. Assegure-se que os controlos de direcção do equipamento estão desengatados.

- Rode a válvula de corte de combustível (A, Figura 7), se instalada, para a posição OPEN (ABERTA).
- Desloque o controlo da válvula reguladora (B, Figura 7), se instalado, para a posição FAST (rápido). Opere o motor na posição de rápido.
- Desloque o controlo do estrangulador (C, Figura 7), ou a combinação de estrangulador e acelerador para a posição CLOSED (FECHADO).

Nota: Para ligar o motor com o sistema de combustível seco (a primeira vez que arranca ou após ficar sem combustível), será necessário mais tempo de accionamento na posição de estrangulamento. Assim a bomba do combustível terá tempo para iniciar o sistema de combustível.

- Empurre o interruptor de paragem (D, Figura 7), se instalado, para a posição ON (LIGADO).
- Rode o interruptor de chave (E, Figura 7) para a posição ON (LIGADO) ou START (ARRANQUE).
- Se o motor arrancar mas não continuar a funcionar, desloque o controlo do estrangulador (C, Figura 7) para a posição OPEN (ABERTO) para ligar o motor.

AVISO Para aumentar a vida do motor de arranque, use ciclos de arranque curtos (máximo de cinco segundos). Aguarde um minuto entre ciclos de arranque.

- À medida que o motor aquece, desloque o controlo do estrangulador (C, Figura 7) para a posição OPEN (aberto).

Nota: Se o motor não arrancar após várias tentativas, contacte o seu concessionário local ou vá a VanguardEngines.com ou ligue para **1-800-999-9333** (nos EUA).

Desligar o motor



O combustível e os seus vapores são extremamente inflamáveis e explosivos.

Um incêndio ou explosão podem causar queimaduras graves ou a morte.

- Não estrangule o carburador para parar o motor.

- Interruptor de paragem, se instalado:** Desloque o interruptor de paragem (D, Figura 7) para a posição OFF (DESLIGADO).
Interruptor de chave, se instalado: Com o controlo da válvula reguladora na posição SLOW (LENTA), rode o interruptor de chave (E, Figura 7) para a posição OFF (DESLIGADO). Remova a chave e guarde-a num local seguro fora do alcance de crianças.
- Depois do motor parar, rode a válvula de corte de combustível (A, Figura 7), se instalada, para a posição CLOSED (FECHADA).

Manutenção

AVISO Se o motor estiver inclinado durante a manutenção, o depósito de combustível, se estiver montado no motor, deve estar vazio e o lado da vela de ignição deve estar para cima. Se o depósito de combustível não estiver vazio e se o motor for inclinado em qualquer outra direcção, pode ser difícil de arrancar devido a óleo ou gasolina a contaminar o filtro do ar e/ou a vela de ignição.



AVISO Ao executar uma intervenção de manutenção que exija inclinar a unidade, o depósito de combustível, se estiver montado no motor, deve estar vazio ou o combustível pode vaziar e provocar um incêndio ou uma explosão.

Recomendamos que visite um Concessionário de Assistência Autorizado Briggs & Stratton para qualquer intervenção de manutenção e assistência do motor e peças do motor.

AVISO Todos os componentes usados na construção deste motor devem permanecer montados para um funcionamento adequado.



Qualquer ignição involuntária pode originar um incêndio ou choque eléctrico.

Qualquer arranque involuntário pode originar emaranhamento, amputação traumática, ou laceração.

Perigo de incêndio

Antes de executar qualquer ajuste ou reparação:

- Desligue o fio da vela de ignição e mantenha-o afastado da vela de ignição.
- Desligue a bateria e o terminal negativo (só em motores com arranque eléctrico).
- Use apenas as ferramentas adequadas.
- NÃO** modifique a mola de controlo, as ligações ou outras peças para aumentar a velocidade do motor.
- As peças de substituição têm de ser iguais às peças originais e devem ser instaladas nas mesmas posições. Outras peças podem não ter o mesmo bom desempenho, podem danificar a unidade e podem provocar ferimentos.
- Não golpeie o volante do motor com um martelo ou outro objecto duro porque o volante pode mais tarde quebrar durante o funcionamento.

Ao testar a ignição:

- Utilize um verificador de velas de ignição aprovado.
- Não teste a existência de faíscas com a vela de ignição removida.

Manutenção do Controlo de Emissões

A manutenção, substituição, ou reparação dos dispositivos e sistema de controlo de emissões podem ser levadas a cabo por qualquer entidade individual ou colectiva de reparação de motores todo-terreno Todavia, para obter a manutenção de controlo de emissões "isenta de custos", o trabalho tem de ser executado por um concessionário autorizado de fábrica. Ver as Declarações de Controlo de Emissões.

Plano de Manutenção

A cada 8 Horas ou Diariamente
<ul style="list-style-type: none"> Verifique o nível do óleo do motor Limpe a área à volta do silenciador e dos controlos
A cada 100 horas ou Anualmente
<ul style="list-style-type: none"> Substitua as velas de ignição Mudar o óleo do motor Substitua o filtro de óleo (se instalado) Fazer a manutenção do filtro do ar ^{1, 2} Limpe o pré-purificador (se instalado) ¹ Manutenção do sistema de escape
A cada 250 horas
<ul style="list-style-type: none"> Verifique a folga da válvula. Substitua se for necessário.
A cada 400 horas ou Anualmente
<ul style="list-style-type: none"> Substituir o filtro do ar ² Substitua o filtro do combustível Manutenção do sistema de arrefecimento ¹ Limpe as aletas do arrefecedor de óleo ¹
A cada 600 horas ou Anualmente
<ul style="list-style-type: none"> Substituir o filtro de segurança (se instalado)

¹ Se houver muito pó ou resíduos transportados por via aérea, a limpeza deve ser mais frequente.

² A cada três mudanças do filtro de ar, substitua o filtro de segurança interno (se instalado).

Sistema de Injecção Electrónica de Combustível (EFI)

O Sistema EFI monitoriza a temperatura do motor, a rotação do motor e a tensão da bateria para o arranque e aquecimento do motor. Este sistema não requer ajustes. Se ocorrer algum problema de arranque ou de funcionamento, contacte um Concessionário de Assistência Autorizado Briggs & Stratton.

AVISO Para não danificar o Sistema EFI deve seguir os passos abaixo.

- Nunca ligue o motor se os cabos da bateria estiverem soltos.
- Rode a chave para a posição off (desligada) antes de desligar, retirar e ou instalar a bateria.
- Nunca use um carregador de bateria para ligar o motor.
- Nunca desligue os cabos da bateria com o motor em funcionamento.
- Quando ligar os cabos da bateria, ligue primeiro o cabo positivo (+) e depois o cabo negativo (-) à bateria.

- Durante o carregamento da bateria, rode o interruptor de ignição para a posição off (desligado) e desligue o cabo negativo (-) da bateria.
- Não pulverize água directamente sobre o Módulo de Comando Electrónico.

Carburador e Velocidade do Motor

Nunca faça ajustes ao carburador ou à velocidade do motor. O carburador foi configurado na fábrica para funcionar eficientemente na maioria das condições. NÃO modifique a mola de controlo, as ligações ou outras peças para aumentar a velocidade do motor. Se necessitar de algum ajuste, deve contactar um Concessionário de Assistência Autorizado Briggs & Stratton para a intervenção.

AVISO O fabricante do equipamento especifica a velocidade máxima do motor uma vez montado no equipamento. **Não exceda** esta velocidade. Se tiver dúvidas quanto à velocidade máxima do equipamento, ou sobre a regulação de fábrica da velocidade do motor, deve contactar um Concessionário de Assistência Autorizado Briggs & Stratton para esclarecimento. Para que o equipamento funcione bem e em segurança, a velocidade do motor só deve ser ajustada por um técnico de assistência habilitado.

Manutenção da vela de ignição

Ver Figura: 8

Verifique a folga (A, Figura 8) com um calibrador (B). Se necessário, redefina a folga. Coloque e aperte a vela de ignição com o binário recomendado. Para obter a configuração da folga ou o binário, consulte a secção **Especificações**.

Nota: Em algumas regiões, a legislação local exige que se use uma vela de ignição com resistência para suprimir sinais da ignição. Se este motor estiver originalmente equipado com uma vela de ignição com resistência, faça a substituição por outra do mesmo tipo.

Manutenção do sistema de escape



ADVERTÊNCIA

O funcionamento dos motores produz calor. As peças do motor, especialmente o silenciador, ficam extremamente quentes.

Queimaduras térmicas graves podem ocorrer por contacto.

Entulhos combustíveis, tal como folhas, relva, mato, etc. podem incendiar-se.

- Deixe que o silenciador, o cilindro do motor e palhetas arrefeçam antes de tocar neles.
- Retire os resíduos que se acumulem na zona do silenciador e na do cilindro.
- É uma violação do Código de Recursos Públicos da Califórnia, Secção 4442, usar ou operar o motor em ou perto de qualquer terreno de cobertura florestal, cobertura de arbustos, ou cobertura de relva, a menos que o sistema de escape esteja equipado com um pára-chispas que cumpra com todas as leis locais ou estatais aplicáveis. Outras áreas estatais ou federais podem ter leis semelhantes. Para obter um pára-chispas concebido para o sistema de escape instalado neste motor, contacte o fabricante original do equipamento.

Retire os resíduos que se acumulem na zona do silenciador e na do cilindro. Examine o silenciador em busca de fendas, corrosão ou outros danos. Remova o pára-chispas, se instalado, e verifique se apresenta danos ou obstruções de carbono. Se detectar danos, monte peças de substituição antes de operar o equipamento.



ADVERTÊNCIA

As peças de substituição têm de ser iguais às peças originais e devem ser instaladas nas mesmas posições. Outras peças podem não ter o mesmo bom desempenho, podem danificar a unidade e podem provocar ferimentos.

Mudar o óleo do motor

Ver Figura: 9, 10, 11

O óleo usado é um resíduo perigoso e deve ser eliminado de forma adequada. Não deitar fora com o lixo normal. Verifique com as suas autoridades locais, centro de assistência ou concessionário a existência de instalações de eliminação/reciclagem seguras.

Remover Óleo

1. Com o motor desligado mas ainda quente, desligue o fio da vela de ignição (D, Figura 9) e mantenha-o afastado da vela de ignição (E).
2. Remova a vareta (A, Figura 10).

3. Remova o bujão de drenagem de óleo (F, Figura 11). Drene o óleo para um recipiente aprovado.
4. Depois de drenado o óleo, coloque e aperte o bujão de drenagem de óleo (F, Figura 11).

Mudar o filtro do óleo, se instalado

Alguns modelos estão equipados com um filtro de óleo. Para saber os intervalos de substituição, consulte o Plano de Manutenção .

1. Drene o óleo do motor. Consulte a secção **Remover Óleo** .
2. Remova o filtro do óleo (G, Figura 11) e elimine-o devidamente.
3. Antes de instalar o novo filtro de óleo, lubrifique ligeiramente o vedante do filtro de óleo com óleo fresco e limpo.
4. Instale o filtro do óleo manualmente até o vedante encostar ao adaptador do filtro do óleo e, depois, aperte o filtro entre 1/2 a 3/4 voltas.
5. Adicione óleo Consulte a secção **Adicionar Óleo** .
6. Ligue o motor e deixe a funcionar. Enquanto o motor aquece, verifique se há fugas de óleo.
7. Desligue o motor e verifique o nível do óleo. O nível do óleo correcto é no topo do indicador de cheio (B, Figura 10) da vareta.

Adicionar Óleo

- Certifique-se de que a unidade está nivelada.
- Limpe a área de enchimento do óleo de quaisquer resíduos.
- Consulte na secção **Especificações** a capacidade de óleo.

1. Remova a vareta (A, Figura 10) e limpe com um pano limpo.
2. Adicione óleo lentamente pelo tubo de enchimento de óleo (C, Figura 10). **Não encher demais.** Depois de adicionar o óleo, aguarde um minuto e depois verifique o nível do óleo.
3. Coloque e aperte a vareta (A, Figura 10).
4. Remova a vareta e verifique o nível do óleo. O nível do óleo correcto é no topo do indicador de cheio (B, Figura 10) da vareta.
5. Recoloque e aperte a vareta (A, Figura 10).
6. Ligue o fio da vela de ignição (D, Figura 9) à vela de ignição (E).

Manutenção do Filtro do ar

Ver Figura: 12, 13



ADVERTÊNCIA

O combustível e os seus vapores são extremamente inflamáveis e explosivos.

Um incêndio ou explosão podem causar queimaduras graves ou a morte.

- Nunca coloque em funcionamento ou opere o motor com o conjunto do purificador do ar (se instalado) ou o filtro do ar (se instalado) removidos.

AVISO Não use ar pressurizado ou solventes para limpar o filtro. O ar pressurizado pode danificar o filtro e os solventes podem dissolver o filtro.

Consulte no **Plano de Manutenção** os requisitos de assistência.

Diferentes modelos usam filtro de espuma ou de papel. Alguns modelos podem ainda dispor de um pré-purificador opcional que pode ser lavado e reutilizado. Compare as ilustrações no presente manual com o tipo instalado no seu motor e faça a assistência do seguinte modo.

Filtro do ar de papel

1. Abra o(s) fixador(es) (A, Figura 12) e retire a tampa (B).
2. Remova o filtro do ar (C, Figura 12).
3. Para libertar os detritos, bata levemente com o filtro do ar numa superfície dura. Se o filtro do ar estiver excessivamente sujo, substitua por um novo filtro do ar.
4. Para remover o filtro de segurança (D, Figura 12), se instalado, puxe-o cuidadosamente do corpo do purificador do ar (E). Assegure que não entra sujidade nem detritos no motor.
5. Instale o novo filtro de segurança (D, Figura 12) no corpo do purificador do ar (E).
6. Instale o filtro do ar (C, Figura 12) sobre o filtro de segurança (D).
7. Instale a tampa (B, Figura 12) e feche o(s) fixador(es) (A).

Filtro do ar de papel

1. Remova o(s) fixador(es) (A, Figura 13).
2. Remova a tampa (B, Figura 13).
3. Remova o(s) fixador(es) (C, Figura 13) e o retentor (D).
4. Remova o filtro do ar (E, Figura 13).
5. Remova o pré-purificador (F, Figura 13), se instalado, do filtro do ar (E).
6. Para libertar os resíduos, bata levemente com o filtro do ar (E, Figura 13) numa superfície dura. Se o filtro do ar estiver excessivamente sujo, substitua por um novo filtro do ar.
7. Lave o pré-purificador (F, Figura 13), se instalado, com detergente líquido e água. Deixe o pré-purificador secar bem ao ar. **Não** oleie o pré-purificador.
8. Monte o pré-purificador seco (F, Figura 13), se instalado, no filtro do ar (E).
9. Instale o filtro do ar (E, Figura 13) e fixe com o retentor (D) e o(s) fixador(es) (C).
10. Instale a tampa (B, Figura 13) e prenda com o(s) fixador(es) (A). Certifique-se de que o(s) fixador(es) está(ão) apertado(s).

Manutenção do sistema de combustível

Ver Figura: 14



O combustível e os seus vapores são extremamente inflamáveis e explosivos.

Um incêndio ou explosão podem causar queimaduras graves ou a morte.

- Mantenha o combustível afastado de faíscas, chamas abertas, chamas piloto, calor e outras fontes de ignição.
- Verifique se existem rachaduras ou fugas nas linhas e no tanque de combustível, no tampão do tanque ou nas suas conexões. Substitua a peça rachada, se necessário.
- Antes de limpar ou substituir o filtro de combustível, drene o depósito de combustível ou feche a válvula de corte de combustível.
- Se derramar combustível, aguarde até que este evapore antes de colocar o motor em funcionamento.
- As peças de substituição têm de ser iguais às peças originais e devem ser instaladas nas mesmas posições.

Filtro de combustível, se instalado

1. Antes de substituir o filtro de combustível (A, Figura 14), se instalado, drene o tanque de combustível ou feche a válvula de corte de combustível. Caso contrário, pode ocorrer uma fuga de combustível e provocar um incêndio ou uma explosão.
2. Use um alicate para comprimir as patilhas (B, Figura 14) nos grampos (C), e depois retire os grampos do filtro de combustível (A). Torça e puxe os tubos de combustível (D) para fora do filtro de combustível.
3. Verifique se existem nos tubos de combustível (D, Figura 14) rachaduras ou fugas. Substitua se necessário.
4. Substitua o filtro do combustível (A, Figura 14) por um filtro de substituição original.
5. Fixe os tubos de combustível (D, Figura 14) com grampos (C) tal como mostrado.

Manutenção do sistema de arrefecimento

Ver Figura: 15, 16



O funcionamento dos motores produz calor. As peças do motor, especialmente o silenciador, ficam extremamente quentes.

Queimaduras térmicas graves podem ocorrer por contacto.

Detritos combustíveis, tais como folhas, relva, mato, etc. podem incendiar-se.

- Deixe que o silenciador, o cilindro do motor e palhetas arrefeçam antes de tocar neles.
- Retire os resíduos que se acumulem na zona do silenciador e na do cilindro.

AVISO Não use água para limpar o motor. A água pode contaminar o sistema de combustível. Limpe o motor com uma escova ou um pano seco.

Este motor é arrefecido a ar. O fluxo de ar pode sofrer restrições devido a sujidade ou resíduos, provocando o sobreaquecimento do motor, um fraco desempenho do mesmo e menor durabilidade.

1. Use uma escova ou um pano limpo para remover os resíduos da área da grelha de admissão de ar (A, Figura 15).
2. Mantenha as ligações, molas e controlos (B, Figura 15, 16) limpos.
3. Mantenha a área à volta e por detrás do silenciador (C, Figura 15, 16) livre de quaisquer resíduos combustíveis.
4. Verifique se as aletas do arrefecedor de óleo (D, Figura 15) estão livres de sujidade e resíduos.
5. Desaperte o(s) fixador(es) (E, Figura 16) até ouvir um estalido. Remova o painel (F) e limpe a sujidade e os resíduos dessa área. Verifique se a parte inferior do painel também fica limpa.
6. Instale o painel (F, Figura 16) e fixe com o(s) fixador(es) (E). Aperte o(s) fixador(es) até ouvir um estalido.

Ao fim de algum tempo, os resíduos podem acumular-se nas aletas de arrefecimento do cilindro e provocar o sobreaquecimento do motor. Estes resíduos não se podem remover sem a desmontagem parcial do motor. Solicite a um Concessionário Autorizado Briggs & Stratton que inspecione e limpe o sistema de arrefecimento de ar conforme recomendado no **Plano de Manutenção**.

Armazenamento



O combustível e os seus vapores são extremamente inflamáveis e explosivos.

Um incêndio ou explosão podem causar queimaduras graves ou a morte.

Quando Armazenar Combustível Ou Equipamento com Combustível no Depósito

- Armazene afastado de fomalhas, fogões, aquecedores de água ou outros aparelhos que tenham chamas piloto ou outras fontes de ignição porque estas podem incendiar os vapores do combustível.

Sistema de combustível

Ver Figura: 17

Armazene o motor nivelado (posição de funcionamento normal). Encha o tanque de combustível (A, Figura 17) com combustível. Para permitir a expansão do combustível, não encha acima do pescoço do depósito de combustível (B).

O combustível pode ficar fora do prazo quando for armazenado por mais de 30 dias. O combustível fora do prazo faz com que depósitos ácidos e gomas se formem no sistema de combustível ou em partes essenciais do carburador. Para manter o combustível fresco, use **Fórmula Avançada de Tratamento do Combustível e Estabilizador Briggs & Stratton**, disponível onde se vendem peças de reposição genuínas da Briggs & Stratton.

Não há necessidade de drenar gasolina do motor se um estabilizador de combustível for adicionado, de acordo com as instruções. Faça funcionar o motor durante dois (2) minutos, para circular o estabilizador ao longo do sistema de combustível antes do armazenamento.

Se a gasolina no motor não for tratada com um estabilizador de combustível, deve ser drenada para um recipiente aprovado. Faça funcionar o motor até este parar por falta de combustível. A utilização de um estabilizador de combustível no recipiente de armazenamento é recomendada para manter a frescura.

Óleo do Motor

Enquanto o motor está quente, troque o óleo do motor. Consulte a secção **Mudar o óleo do motor**.

Resolução de Problemas

Para obter assistência, contacte o seu concessionário local ou vá a VanguardEngines.com ou ligue para **1-800-999-9333** (nos USA).

Especificações

Modelo: 540000	
Cilindrada	54.68 ci (896 cc)
Diâmetro	3.366 in (85,5 mm)
Curso	3.071 in (78,0 mm)
Capacidade de Óleo	78 - 80 oz (2,3 - 2,4 L)
Folga da Vela de Ignição	.030 in (.76 mm)

Modelo: 540000	
Binário da Vela de Ignição	180 lb-in (20 Nm)
Folga de Ar da Armação	.005 - .008 in (,13 - ,20 mm)
Folga da Válvula de Admissão	.004 - .006 in (,10 - ,15 mm)
Folga da Válvula de Escape	.007 - .009 in (,18 - ,23 mm)

Modelo: 610000, 61E100	
Cilindrada	60.60 ci (993 cc)
Diâmetro	3.366 in (85,5 mm)
Curso	3.406 in (86,5 mm)
Capacidade de Óleo	78 - 80 oz (2,3 - 2,4 L)
Folga da Vela de Ignição	.030 in (,76 mm)
Binário da Vela de Ignição	180 lb-in (20 Nm)
Estrutura da Caixa de Ar - Modelos de carburador	.005 - .008 in (,13 - ,20 mm)
Folga da Válvula de Admissão	.004 - .006 in (,10 - ,15 mm)
Folga da Válvula de Escape	.007 - .009 in (,18 - ,23 mm)

A potência do motor diminui 3,5% por cada 300 metros (1000 pés) acima do nível do mar e 1% por cada 5,6 °C (10 °F) acima dos 25° C (77 °F). O motor irá funcionar de forma satisfatória a um ângulo de até 15°. Consulte no manual do utilizador do equipamento os limites de autorizados para um funcionamento seguro em declives.

Peças de Assistência - Modelo: 540000, 610000, 61E100	
Peças de Assistência	Número da peça
Filtro de Ar Ciclónico (Figura 12)	841497
Filtro de Segurança Ciclónico (Figura 12)	821136
Filtro do ar, baixo perfil (Figura 13)	692519
Pré-purificador, baixo perfil (Figura 13)	692520
Óleo - SAE 30	100028
Filtro do Óleo	842921
Fórmula Avançada de Tratamento do Combustível e Estabilizador	100117, 100120
Filtro do Combustível	691035
Vela de Ignição com Resistência	491055
Vela de ignição de platina de longa duração	5066
Chave de velas de ignição	19374
Verificador de velas	19368

Recomendamos que visite um Concessionário Autorizado Briggs & Stratton para qualquer intervenção de manutenção e assistência do motor e peças do motor.

Potência nominal: A potência total nominal para os modelos de motores a gasolina individuais está rotulada em conformidade com a SAE (Sociedade de Engenheiros Automobilísticos), Procedimento de Potência de Motor Pequeno e Binário Nominal, código J1940, e está classificada de acordo com a SAE J1995. Os valores de binário são obtidos a 2600 RPM para os motores com a indicação "rpm" na etiqueta e 3060 RPM para todos os outros; os valores de potência são obtidos a 3600 RPM. As curvas de potência total podem ser visualizadas em www.BRIGGSandSTRATTON.COM. Os valores de potência útil são retirados com o purificador de escape e de ar instalados, enquanto os valores de potência total são recolhidos sem estes acessórios. A potência total do motor será superior à potência útil do motor e é influenciada por, entre outras coisas, condições ambientais de funcionamento e a variabilidade de motor para motor. Devido à vasta gama de produtos em que os motores são colocados, o motor a gasolina pode não desenvolver a potência total classificada quando utilizado num determinado equipamento eléctrico. Esta diferença deve-se a uma variedade de factores incluindo, mas não se limitando à, variedade dos componentes do motor (purificador do ar, escape, carregador, arrefecimento, carburador, bomba do combustível, etc.), limitações de aplicação, condições ambientais de funcionamento (temperatura, humidade, altitude) e a variabilidade de motor para motor. Devido às limitações de fabrico e de capacidade, a Briggs & Stratton pode substituir o motor desta série por um motor de classificação de potência superior.

Garantia

Garantia do Motor Briggs & Stratton

Em vigor a partir de Janeiro de 2017

Garantia limitada

A Briggs & Stratton garante que, durante o período de garantia especificado em baixo, irá reparar ou substituir, gratuitamente, qualquer peça defeituosa em materiais relacionados com o produto e/ou mão-de-obra. Os encargos com o transporte do produto submetido para reparação ou substituição, ao abrigo desta garantia, devem ser suportados pelo comprador. Esta garantia é efectiva e está sujeita aos períodos de tempo e às condições abaixo referidas. Para obter assistência ao abrigo da garantia, procure o Concessionário de Assistência Autorizado mais próximo, usando o nosso mapa localizador em BRIGGSandSTRATTON.COM. O comprador deve contactar o Representante de Serviço Autorizado, e então disponibilizar o produto para o Representante de Serviço Autorizado fazer a inspeção e testes.

Não existe qualquer outra garantia expressa. Garantias implícitas, incluindo as referentes à comercialização e adequação a um objetivo em particular, estão limitadas ao período de garantia listado em baixo, ou ao que é permitido por lei. Exclui-se a responsabilidade por danos incidentais ou consequenciais de acordo com o permitido por lei. Alguns estados ou países não permitem limitações quanto à duração de uma garantia implícita e alguns estados e países não permitem a exclusão ou limitação de danos incidentais ou consequenciais, por isso a limitação e exclusão acima podem não se aplicar ao seu caso. Esta garantia concede-lhe direitos legais específicos. Pode também ter outros direitos que variam de Estado para Estado ou de país para país ⁴.

Condições Normais da Garantia 1, 2, 3

Nome da Marca/Produto	Utilização privada	Utilização comercial
Vanguard™; Série Comercial	36 meses	36 meses
Motores com camisa de ferro fundido Dura-Bore™	24 meses	12 meses
Todos os outros motores	24 meses	3 meses

¹ Estas são as nossas condições normais de garantia, mas ocasionalmente pode aplicar-se uma cobertura adicional da garantia não definida à data da publicação. Para obter uma relação das actuais condições da garantia para o seu motor, consulte BRIGGSandSTRATTON.com ou contacte o seu Concessionário de Assistência Autorizado Briggs & Stratton.

² Não há qualquer garantia para motores em equipamento utilizado para potência primária em vez de uma utilidade ou para geradores de reserva utilizados para fins comerciais. Os motores utilizados em competições ou em veículos comerciais ou de aluguer não estão abrangidos pela garantia.

³ Vanguard instalado em geradores de reserva: 24 meses para utilização pelo consumidor, sem garantia para utilização comercial. Vanguard instalado em veículos utilitários: 24 meses para utilização pelo consumidor, 24 meses para utilização comercial. Série Comercial com data de fabrico anterior a julho de 2017, 24 meses para utilização pelo consumidor, 24 meses para utilização comercial.

⁴ Na Austrália - Os nossos produtos possuem garantias que não podem ser excluídas ao abrigo da lei australiana relativa aos direitos do consumidor. Tem direito a uma substituição ou reembolso por uma falha grave e a uma compensação por qualquer outra perda ou dano razoavelmente previsível. Também tem direito a ter os bens reparados ou substituídos se os bens não forem de qualidade aceitável e a falha não equivale a uma falha grave. Para aceder ao serviço de garantia, contacte o revendedor autorizado mais próximo indicado no nosso mapa de localização de revendedores em BRIGGSandSTRATTON.COM, efectue um telefonema para o número 1300 274 447, envie um e-mail para salesenquires@briggsandstratton.com.au ou escreva para Briggs & Stratton Australia Pty Ltd, 1 Moorebank Avenue, NSW, Austrália, 2170.

O período da garantia começa a partir da data da aquisição original efectuada pelo primeiro revendedor ou consumidor final. "Utilização pelo Consumidor" significa a utilização doméstica e pessoal do agregado familiar por um consumidor de revenda. "Utilização comercial" refere-se a todas as outras utilizações, incluindo as utilizações com objectivos, comerciais, de produzir rendimento ou de aluguer. No âmbito desta garantia, após a utilização de um produto para fins comerciais, este será considerado um produto para utilização comercial.

Guarde o recibo da compra como comprovativo. Se não fornecer o comprovativo da data de aquisição inicial no momento em que é pedida a assistência de garantia, será utilizada a data de fabrico do produto para determinar o período de garantia. O registo do produto não é necessário para obter o serviço de garantia em produtos de marca Briggs & Stratton.

Sobre a sua garantia

Esta garantia limitada abrange exclusivamente materiais relativos ao motor e/ou mão-de-obra, e não a substituição ou o reembolso do equipamento no qual o motor está montado. As intervenções de manutenção de rotina, as afinações, os ajustes, ou normal desgaste e ruptura não estão abrangidos por esta garantia. De igual modo, a garantia não se aplica se o motor tiver sido alterado ou modificado ou se o número de série do motor tiver sido adulterado ou removido. Esta garantia não abrange danos do motor ou problemas de desempenho causados por:

1. utilização de peças que não originais da Briggs & Stratton;
2. funcionamento do motor com óleo lubrificante insuficiente, contaminado ou de qualidade inadequada;

3. uso de combustível contaminado ou fora do prazo, gasolina formulada com mais de 10% de etanol, ou recurso a combustíveis alternativos como gás de petróleo liquefeito ou gás natural em motores não concebidos/fabricados de origem pela Briggs & Stratton para trabalhar com estes combustíveis;
4. sujidade que tenha penetrado no motor devido a deficiências na manutenção ou montagem do purificador de ar;
5. golpe num objecto provocado pela lâmina de corte de um cortador de relva rotativo, adaptadores de lâminas soltos ou mal montados, rotores, ou outros dispositivos acoplados à cambota, ou aperto excessivo da correia em V;
6. peças ou montagens associadas como embraiagens, transmissões, controlos do equipamento, etc., não fornecidos pela Briggs & Stratton;
7. sobreaquecimento devido a pedaços de erva, sujidade e resíduos, ou ninhos de roedores que entopem ou colmatam as aletas de arrefecimento ou a área do volante do motor, ou por operação do motor sem ventilação suficiente;
8. demasiada vibração devida a velocidade excessiva, montagem do motor mal apertada, lâminas de corte ou rotores soltos ou desequilibrados, ou acoplagem deficiente de componentes do equipamento à cambota;
9. má utilização, falta de manutenção de rotina, transporte, manuseamento, ou armazenagem do equipamento, ou montagem inadequada do motor.

O serviço de garantia apenas se encontra disponível através dos revendedores autorizados Briggs & Stratton. Localize o seu Concessionário de Assistência Autorizado mais próximo no nosso mapa de concessionários em BRIGGSandSTRATTON.COM ou ligando para 1-800-233-3723 (nos EUA).

80004537 (Rev. C)

Not for
Reproduction

Denna handbok innehåller säkerhetsinformation som gör dig uppmärksam på de faror och risker som är förknippade med motorer och hur man undviker dem. Den kan även innehålla instruktioner för en korrekt användning och skötsel av motor. Då Briggs & Stratton inte nödvändigtvis känner till vilken maskin denna motor driver, är det viktigt att du läser och förstår dessa anvisningar och anvisningarna för den maskin som motorn driver. **Spara instruktionerna för framtida referens.**

Anm.: Siffrorna och illustrationerna i handboken är enbart för referens, och kan skilja sig från just din modell. Kontakta din återförsäljare om du har frågor.

För reservdelar eller teknisk hjälp i framtiden, skriver du motorns modell-, typ- och kodnummer samt inköpsdatum här. De här numren finns på din motor (se avsnittet **Funktioner och regler**).

Inköpsdatum:	
Motormodell - Typ - Trim	
Motorns serienummer	

Lokalisera 2D-streckkoden på vissa motorer. Vid visning med en anordning med 2D-kapacitet kommer koden att öppna vår webbplats där du kan komma åt supportinformation för den här produkten. Datakostnader kan tillkomma. Vissa länder kanske inte har någon tillgänglig supportinformation online.



Information om återvinning

		Alla förpackningar, gammal olja och batterier ska återvinnas enligt gällande statliga bestämmelser.
--	--	---

Förarens säkerhet

Säkerhetssymboler och signalord

Varningssymbolen används för att peka på säkerhetsinformation om risker som kan leda till personskador. Ett signalord (FARA, VARNING eller FÖRSIKTIGHET) används tillsammans med varningssymbolen för att tilldela risken en sannolikhet och hur allvarliga skador som kan orsakas. Dessutom kan varningssymbolen användas för att visa på typen av fara.

FARA visar på en risk, som om den inte undviks, **leder till döden eller allvarlig skada.**

VARNING visar på en risk, som om den inte undviks, **kan leda till allvarlig skada eller döden.**

FÖRSIKTIGHET visar på en risk, som om den inte undviks, **kan orsaka lätt eller måttlig skada.**

OBS! indikerar en åtgärd som **kan orsaka skada på produkten.**

Farosymboler och deras innebörd

Symbol	Innebörd	Symbol	Innebörd
	Säkerhetsinformation om faror som kan leda till personskador.		Läs igenom och lär dig handboken innan du använder eller servar enheten.
	Brandrisk		Explosionsrisk

Symbol	Innebörd	Symbol	Innebörd
	Risk för elektriska stötar.		Risk för giftiga gaser.
	Risk för het yta		Bullerrisk - Hörselskydd rekommenderas vid längre användning.
	Risk för utslungade föremål - Ögonskydd.		Explosionsrisk
	Risk för köldskada		Risk för bakslag
	Risk för amputering - rörliga delar		Kemisk fara
	Termisk risk		Korrosiv

Säkerhetsmeddelanden



VARNING

Vissa komponenter från denna produkt och dess tillhörande tillbehör innehåller kemikalier som i delstaten Kalifornien konstaterats kunna förorsaka cancer, genetiska skador eller hämma fortplantningen. Tvätta händerna efter användning.



VARNING

Avgaserna från denna produkt innehåller kemikalier som i delstaten Kalifornien konstaterats kunna förorsaka cancer, genetiska skador eller hämma fortplantningen.



VARNING

Briggs & Stratton. Briggs & Strattons motorer är inte konstruerade och ska inte användas för att driva: funkarter, gokart-bilar, barn-, fritids och sportfordon för terrängkörning (ATV), motorcyklar, svävare, flygande apparater och fordon som används för tävlingsbruk som inte sanktionerats av Briggs & Stratton. För information om konkurrerande tävlingsprodukter, se www.briggsracing.com. För användning med bruks- och tvåsitsiga terrängfordon, kontakta Briggs & Stratton Engine Application Center, 1-866-927-3349. Felaktig användning av motorn kan resultera i allvarliga personskador eller dödsfall.



VARNING

Bränslet och dess ångor är extremt lättantändliga och explosiva.

Brand eller explosion kan orsaka svåra brännskador eller dödsfall.

Påfyllning av bränsle

- Stäng av motorn och låt den svalna under minst 2 minuter innan bensinlocket tas av.
- Fyll bränsletanken utomhus eller i ett välventilerat utrymme.
- Överfyll inte tanken. För att bränslet ska kunna expandera får man inte fylla på mer än till nederkanten av bränsletankens hals.
- Ha inte gnistor, öppna lågor, indikationslampor, värme och andra antändningskällor i närheten av bränsle.
- Kontrollera att det inte finns sprickor eller läckor på bränsleledning, tank, lock och kopplingar. Byt vid behov.
- Låt utspillt bränsle förångas innan du startar motorn.

När motorn startas

- Se till att tändstift, tanklock och luftrenare (om sådan finns) sitter ordentligt på plats.
- Dra inte runt motorn med tändstiftet urtaget.
- Om motorn flödar, ska choken (om sådan finns) sättas i läget ÖPPEN/KÖR (OPEN/RUN), gasen (om sådan finns) flyttas till fullgasläge (FAST) och dra i snöret till motorn startar.

Vid körning av maskinen

- Tippla inte motorn eller maskinen i sådan vinkel att bränslet spills ut.
- Choka inte förgasaren för att stoppa motorn.
- Starta och kör aldrig motorn med luftrenaren (i förekommande fall) eller luftfiltret (i förekommande fall) borttaget.

Vid oljebyte

- Om du tappar ur olja från det övre oljepåfyllningsröret, måste bränsletanken vara tom, annars kan bränsle rinna ut och orsaka brand eller explosion.

När maskinen tippas för underhåll

- Om bränsletanken är monterad på motorn, måste den vara tom när man utför underhåll som kräver att maskinen tippas, annars kan bränslet läcka ut och orsaka brand eller explosion.

När utrustningen transporteras

- Transportera med TOM bränsletank eller med bränslets avstängningsventil i STÄNGT läge.

Vid förvaring av bränsle eller maskin med bränsle i tanken

- Förvara på avstånd från ugnar, brännare, vattenvärmare och andra apparater med sparlågor eller andra tändkällor, då sådana kan antända bränsleångor.



När motorn startas, skapas gnistor.

Gnistbildning kan antända lättantändliga gaser i närheten.

Det kan leda till explosion och brand.

- Om det finns läckande natur- eller LP-gas i området, ska motorn inte startas.
- Använd inte trycksatta startvätskor eftersom ångorna är lättantändliga.



VARNING FÖR GIFTIG GAS. Avgaser från motorn innehåller koloxid, som är en giftig gas som kan döda på bara några minuter. Koloxid är osynlig, smak- och luktlös. Även om du inte känner lukten av avgaser, kan du ändå utsättas för koloxidgas. Om du börjar känna dig illamående, yr eller matt när du använder produkten, ska du stänga av den och GENAST gå ut i frisk luft. Uppsök en läkare. Du kan vara koloxidförgiftad.

- Använd ENDAST denna produkt utomhus, på avstånd från fönster, dörrar och ventiler för att minska risken för att koloxid ska ansamlas och eventuellt dras in i bemannade utrymmen.
- Montera batteridrivet koloxidlarm eller eldrivet koloxidlarm med reservbatteri enligt tillverkarens anvisningar. Brandlarm kan inte detektera koloxidgas.
- Kör INTE produkten inomhus, i garage, källare, kryputrymmen, skjul eller andra delvis slutna utrymmen, även om fläktar används eller dörrar och fönster öppnas för ventilation. Koloxid kan snabbt ansamlas i den här typen av utrymmen och kan dröja kvar i timmar, även efter att produkten har stängts av.
- Placera ALLTID denna produkt i lä och rikta avgasutsläppet bort från bemannade utrymmen.



Snabb indragning av startsnöret (bakslag) drar hand och arm mot motorn innan man hinner släppa.

Kan leda till brutna ben, frakturer, blåmärken eller stukningar.

- Starta motorn genom att först dra ut snöret långsamt tills ett motstånd känns och sedan snabbt för att undvika backslag.
- Avlägsna alla utvändiga utrustnings-/motorbelastningar innan motorn startas.
- Direktkopplade maskindelar som t.ex. blad, rotor, remskivor, kuggkransar, etc., måste vara ordentligt fästa.



Roterande delar kan komma i kontakt med eller trassla in händer, fötter, hår, kläder eller tillbehör.

Svåra skärskador eller t.o.m. amputation kan inträffa.

- Kör maskinen med skydden på plats.
- Håll händer och fötter på avstånd från snurrande delar.
- Fäst upp långt hår och ta av smycken.
- Bär inte löst sittande kläder, dragband eller andra föremål som kan trassla in sig.



Motorer som körs producerar värme. Motordelar, speciellt ljuddämpare, blir extremt varma.

Svåra brännskador kan inträffa vid beröring.

Brännbart skräp, som t. ex. löv, gräs, buskar, etc. kan börja brinna.

- Låt ljuddämpare, motorcylinder och kylflänsar svalna innan du rör dem.
- Ta bort skräp som samlats från området kring ljuddämparen och cylindern.
- Det är olagligt enligt Kalifornisk lag om allmänna resurser, sektion 4442, att använda maskinen på skogsbeklädd, buskbeklädd eller gräsbeklädd mark om inte avgassystemet är utrustat med ett gnistskydd, som det beskrivs i sektion 4442, samt att det är underhållet och i fungerande skick. Andra delstater eller federala jurisdiktioner kan ha liknande lagar. Kontakta den ursprungliga tillverkaren, återförsäljaren eller säljaren av utrustningen, för att få en gnistfångare som är utformad för avgassystemet i denna motor.



Oavsiktliga gnistor kan orsaka brand eller elektriska stötar.

Oavsiktlig start kan resultera i intrassling, traumatisk amputation eller skärskador.

Brandrisk

Innan man utför justeringar eller reparationer:

- Lossa tändstiftskabeln och håll den borta från tändstiftet.
- Koppla ifrån batteriet vid den negativa polen (enbart motorer med elektrisk start).
- Använd endast rätt verktyg.
- Gör inga ändringar på regulatorfjäder, länkar eller andra delar för att öka motorns hastighet.
- Reservdelar måste vara av samma design och installeras på samma sätt som originaldelarna. Andra delar fungerar sannolikt inte lika bra, kan skada enheten och kan leda till skador.
- Slå inte på svänghjulet med hammare eller hårt föremål, eftersom svänghjulet då kan splittras under gång.

Vid kontroll av tändningssystem:

- Använd godkänd gnistprovare.
- Kontrollera inte motorns tändningssystem med tändstiftet nedmonterat.

Funktioner och reglage

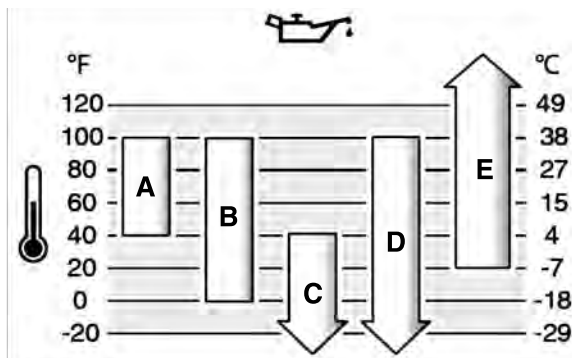
Motorreglage

Jämför bilden (bild: 1, 2, 3, 4) med din motor för att bekanta dig med de olika egenskapernas och reglagens placering.

- Motorbeteckning **Modell - Typ - Kod**
- Tändstift
- Cyklonluftrenare
- Luftrenare, lågprofil
- Oljesticka
- Oljepåfyllning
- Oljefilter

- H. Oljeavtappingsplugg
- I. Oljetrycksgivare
- J. Fingerskydd
- K. Elstart
- L. Startrelä
- M. Regulator/likriktare
- N. Förgasare - förgasarmodeller
- O. Oljekylare (om sådant finns)
- P. Ljuddämpare (i förekommande fall)
- Q. Bränslepump
- R. Startbrytare ¹
- S. Gasreglage ¹
- T. Choke - förgasarmodeller ¹
- U. Bränslefilter (om sådant finns)

¹ Vissa motorer och maskiner har fjärreglage. Var dessa sitter och hur de används beskrivs i bruksanvisningen till maskinen.



A	SAE 30 - Under 40 °F (4 °C) är det svårt att starta med SAE 30.
B	10W-30 - Över 80 °F (27 °C) kan 10W-30 orsaka ökad oljeförbrukning. Kontrollera oljenivån oftare.
C	5W-30
D	Syntetisk 5W-30-olja
E	Syntetisk Vanguard™ 15W-50-olja

Motorreglagesymboler och deras innebörd

Symbol	Innebörd	Symbol	Innebörd
	Motorvarvtal - HÖGT		Motorvarvtal - LÅGT
	Motorvarvtal - STOPP		TILL - FRÅN
	Start av motor - choken STÅNGD		Motorstart - choken ÖPPEN
	Tanklock Bränslekran - ÖPPEN		Bränslekran - STÅNGD
	Bränslenivå - Maximal Överfyll inte		

Användning

Oljerekommendationer

Oljevoly: Se avsnittet *Specifikationer*.

MÄRK

Motorn levereras från Briggs & Stratton utan olja. Vissa maskintillverkare eller återförsäljare kan ha fyllt på motorn med olja. Innan du startar motorn för första gången, se till att kontrollera oljenivån och att fylla på med olja enligt instruktionerna i bruksanvisningen. Om du startar motorn utan olja skadas den så att den inte kan repareras och det täcks inte av garantin.

För bästa prestanda rekommenderar vi användning av Briggs & Strattons garanticertifierade oljor. Andra detergentoljor av hög kvalitet är acceptabla om de är klassificerade för SF, SG, SH, SJ eller högre. Använd inga specialtillsatser.

Utomhustemperaturerna avgör rätt oljeviskositet för motorn. Använd tabellen för att välja rätt viskositet för den förväntade utomhustemperaturintervall. Motorn på de flesta utomhusmaskinerna fungerar bra med en syntetisk 5W-30-olja. För utrustning som används i varma temperaturer erbjuder den syntetiska Vanguard™ 15W-50-oljan det bästa skyddet.

Kontrollera oljenivån

Se bild: 5

Före påfyllning eller kontroll av olja

- Se till att motorn står plant.
- Rengör området runt oljepåfyllningen.

1. Ta ut oljestickan (A, bild 5) och torka av den med en ren trasa.
2. Sätt i oljestickan helt (A, bild 5).
3. Ta ur oljestickan och kontrollera oljenivån. Rätt oljenivå är överst på den fullmarkeringen (B, bild 5) på oljestickan.
4. Om oljenivån är lägre, fyll långsamt på olja i oljepåfyllningen (C, bild 5). **Överfyll inte.** När oljan tillsatts, vänta en minut och kontrollera därefter oljenivån igen.
5. Sätt i oljestickan helt (A, bild 5).

Skydd mot för låg oljenivå (i förekommande fall)

Vissa motorer är utrustade med en sensor för låg oljenivå. Om oljan är låg kommer sensorn antingen att aktivera en varningslampan eller stanna motorn. Stanna motorn och följ de här stegen innan motorn startas om.

- Se till att motorn står plant.
- Kontrollera oljenivån. Se avsnittet *Kontrollera oljenivån*.
- Om oljenivån är låg fyll på en riktigt mängd olja. Starta motorn och se till att varningslampan (om den finns) inte tänts.
- Om oljenivån inte är låg ska motorn inte startas. Kontakta en godkänd försäljare av Briggs & Stratton för att justera oljeproblemet.

Bränslerekommendationer

Bränslet måste uppfylla dessa krav:

- Ren, färsk, blyfri bensin.
- Minst 87 oktan/87 AKI (91 RON). Användning på hög höjd, se nedan.
- Bensin med upp till 10 % etanol kan användas.

MÄRK Använd inte icke-godkänd bensin som E15 och E85. Blanda inte olja i bensin eller ändra motorn för att köra på alternativa bränslen. Användning av ej godkända bränslen ger motorskador som inte omfattas av garantin.

För att skydda bränslesystemet från att det bildas gummi, blanda i bränslestabilisator i bränslet. Se *Förvaring*. Allt bränsle är inte likadant. Om det blir problem med starten eller prestandan, byt bränsleleverantör eller byt varumärke. Denna motor är kalibrerad för att användas med bensin. Avgaskontrollsystemet för denna motor är EM (Engine Modifications).

Hög höjd

På höjder över 1 524 meter (5 000 fot), går minst 85 oktan/85 AKI (89 RON) bensin bra.

För förgasarmotorer krävs en höghöjdsjustering för att bibehålla prestandan. Användning utan denna justering leder till försämrade prestanda, ökad bränsleförbrukning och ökade

utsläpp. Kontakta en godkänd försäljare av Briggs & Stratton för information om justering för hög höjd. Användning av motorn på höjder under 762 meter (2 500 meter) med höghöjdsjustering rekommenderas inte.

För motorer med elektronisk bränsleinsprutning krävs ingen höghöjdsjustering.

Fylla på bränsle

Se bilden: 6



Bränslet och dess ångor är extremt lättantändliga och explosiva.

Brand och explosion kan orsaka svåra brännskador eller dödsfall.

Vid tankning

- Stäng av motorn och låt den svalna under minst 2 minuter innan tanklocket tas av.
 - Fyll bränsletanken utomhus eller i ett välventilerat utrymme.
 - Överfyll inte tanken. För att bensinen ska kunna expandera, ska bränslet inte nå ovanför nederkanten på tankens hals.
 - Ha inte gnistor, öppna lågor, indikationslampor, värme och andra antändningskällor i närheten av bränsle.
 - Kontrollera att det inte finns sprickor eller läckor på bränsleledningar, tank, lock och kopplingar. Byt vid behov.
 - Låt utspillt bränsle förångas innan du startar motorn.
- Rengör området runt tanklocket från smuts och skräp. Ta bort tanklocket.
 - Fyll på bränsletanken (A, bild 6) med bränsle. För att bränslet ska kunna expandera får man inte fylla på mer än till nederkanten av bränsletankens hals (B).
 - Sätt tillbaka tanklocket.

Starta och stanna motorn

Se bild: 7

Starta motorn



Bränslet och dess ångor är extremt lättantändliga och explosiva.

Brand och explosion kan orsaka svåra brännskador eller dödsfall.

När maskinen startas

- Se till att tändstift, spjäll, tanklock och luftrenare (i förekommande fall) sitter ordentligt på plats.
- Dra INTE runt motorn med tändstiftet urtaget.
- Om motorn flödar, ska choken sättas (i förekommande fall) i läget ÖPPEN/KÖR, gasen (i förekommande fall) flyttas till läget SNABB och dra i snöret tills motorn startar.



VARNING FÖR GIFTIG GAS Avgaser från motorn innehåller koloxid, som är en giftig gas som kan döda på bara några minuter. Koloxid är osynlig, smak- och luktlös. Även om du inte känner lukten av avgaser, kan du ändå utsättas för koloxidgas. Om du börjar känna dig illamående, yr eller matt när du använder produkten, ska du stänga av den och GENAST gå ut i frisk luft. Uppsök läkare. Du kan vara koloxidförgiftad.

- Använd ENDAST denna produkt utomhus, på avstånd från fönster, dörrar och ventiler för att minska risken för att koloxid ska ansamlas och eventuellt dras in i bemannade utrymmen.
- Montera batteridrivet koloxidlarm eller plugin-koloxidlarm med reservbatteri enligt tillverkarens anvisningar. Brandlarm kan inte detektera koloxidgas.
- Kör INTE produkten inomhus, i garage, källare, kryputrymmen, skjul eller andra delvis slutna utrymmen, även om fläktar används eller dörrar och fönster öppnas för ventilation. Koloxid kan snabbt ansamlas i den här typen av utrymmen och kan dröja kvar i timmar, även efter att produkten stängts av.
- Placera ALLTID denna produkt i lä och rikta avgasutsläppet bort från bemannade utrymmen.

MÄRK Motorn levereras från Briggs & Stratton utan olja. Fyll på olja enligt anvisningarna i handboken innan du startar motorn. Om du startar motorn utan olja skadas den så att den inte kan repareras och täcks inte av garantin.

Fastställ typ av startsystem.

Se efter vilken typ av startsystem din motor är försedd med innan du startar motorn. Den har en av följande typer.

- Elektronisk bränsleinsprutning (EFI):** Den har elektronisk bränsleinsprutning. Den saknar manuell choke och snapsblåsa.
- Choke:** De har choke som ska användas för att starta i låga temperaturer. Vissa modeller har ett separat chokereglage medan andra har kombinerade choke- och gasreglage. Dessa saknar snapsblåsa.

Anm.: Maskinen kan ha fjärrreglage. Var dessa sitter och hur de används beskrivs i bruksanvisningen till maskinen.

Elektronisk bränsleinsprutning (EFI)

- Kontrollera oljan. Se avsnittet **Kontrollera oljenivån**.
- Se till att maskinens reglage, i förekommande fall, är urkopplade.
- Öppna bränslekranen (A, bild 7), om sådan finns.
- Flytta i förekommande fall gasreglaget (B, bild 7), till fullgas (FAST) Kör maskinen med fullgas (FAST).
- Tryck stoppbrytaren (D, bild 7), om sådan finns, till läge ON.
- Vrid startbrytaren (H, bild 7) till läge till ON eller START.

MÄRK Gör bara korta startförsök (max. fem sekunder) så förlängs startmotorns livslängd. Vänta en minut mellan startförsöken.

Anm.: Vänd dig till närmaste återförsäljare eller gå till **VanguardEngines.com** eller ring **1-800-999-9333** (i USA) om motorn inte startar efter upprepade försök.

Chokesystem

- Kontrollera oljan. Se avsnittet **Kontrollera oljenivån**.
- Se till att maskinens reglage, i förekommande fall, är urkopplade.
- Öppna (OPEN) bränslekranen (A, bild 7), om sådan finns.
- Flytta i förekommande fall gasreglaget (B, bild 7), till fullgas (FAST) Kör maskinen med fullgas (FAST).
- Stäng chokereglaget eller kombinationsreglaget choke/gas, (C, bild 7) (CLOSED).

Anm.: När motorn ska startas med tömt bränslesystem (första gången den startas och efter att den kört slut på bränslet) krävs fler startförsök med choken stängd. Detta för att bränslepumpen ska kunna fylla på bränslesystemet.

- Tryck stoppbrytaren (D, bild 7), om sådan finns, till läge ON.
 - Vrid tändningsnyckeln (E, bild 7) till ON eller START.
 - För choken (C, bild 7) till körläget (OPEN) för att starta motorn om den tänder men inte fortsätter att gå.
- MÄRK** Gör bara korta startförsök (max. fem sekunder) så förlängs startmotorns livslängd. Vänta en minut mellan startförsöken.
- Öppna choken (OPEN) (C, bild 7) när motorn värms upp.

Anm.: Vänd dig till närmaste återförsäljare eller gå till **VanguardEngines.com** eller ring **1-800-999-9333** (i USA) om motorn inte startar efter upprepade försök.

Stanna motorn



Bränslet och dess ångor är extremt lättantändliga och explosiva.

Brand och explosion kan orsaka svåra brännskador eller dödsfall.

- Choka inte förgasaren för att stoppa motorn.

- Stoppkontakt, om sådan finns** Tryck stoppbrytaren (D, bild 7) till läget OFF. **Tändningslåsa, om sådant finns:** Vrid tändningsnyckeln (E, bild 7) till OFF med gasreglaget i läge SLOW. Ta ur nyckeln och förvara den utom räckhåll för barn.
- Stäng (CLOSED) bränslekranen (A, bild 7), om sådan finns, när motorn stannat.

Underhåll

MÄRK Om maskinen tippas under underhållsarbete, måste tanken tömmas och tändstiftssidan vara uppåtvänd. Om inte bränsletanken är tom och maskinen tippas åt något håll, kan det vara svårt att starta på grund av att det har kommit olja eller besin på luftfiltret och/eller tändstiftet.



VARNING

Vid underhåll som kräver tippning av maskinen måste bränsletanken måste vara tom, annars kan bränsle läcka ut och orsaka brand eller explosion.

Vi rekommenderar att du tar kontakt med en auktoriserad Briggs & Stratton-verkstad för underhåll och reparation av motorn och dess delar.

MÄRK Alla de komponenter som använts för att bygga denna motor, måste sitta kvar för korrekt drift.



VARNING



Oavsiktliga gnistor kan resultera i brand eller stötar.

Oavsiktlig start kan resultera i intrassling, traumatisk amputation eller skärsår.

Brandrisk

Före justering eller reparation

- Lossa tändstiftskabeln och håll den borta från tändstiftet.
- Koppla bort batteriet vid minuspolen (endast motorer med elstart).
- Använd endast rätt verktyg.
- Justera INTE regulatorfjädrar, regulatorlänkar eller andra delar för att höja motorvarvtalet.
- Reservdelar måste vara av samma design och installeras på samma sätt som originaldelarna. Andra delar fungerar sannolikt inte lika bra, kan skada enheten och kan leda till skador.
- Slå inte på svänghjulet med hammare eller hårt föremål, eftersom svänghjulet då kan splittras under gång.

Vid kontroll av tändningssystem:

- Använd godkänd gnistprovare.
- Kontrollera inte motorns tändningssystem med tändstiftet nedmonterat.

Utsläppskontrollservice

Underhåll, byte eller reparation av avgaskontrollanordningar och system kan utföras av en verkstad eller person som reparerar motorer som inte är avsedda för väg. Men för att få utsläppskontrollservice "utan kostnad", måste arbetet utföras av en av tillverkaren godkänd säljare. Se Instruktioner om utsläppskontroll.

Underhållsschema

Var 8:e timma eller en gång per dag
<ul style="list-style-type: none">• Kontrollera motorns oljenivå• Rengör området runt ljuddämparen och reglagen
Var 100:e timme eller en gång om året
<ul style="list-style-type: none">• Byt tändstiften• Byta motorolja• Byt oljefilter (om sådant finns)• Gör service av luftfiltret ^{1,2}• Rengör förenaren (om sådan finns) ¹• Underhåll av avgassystem
Var 250:e timma
<ul style="list-style-type: none">• Mät ventilspelet. Justera vid behov.
Var 400:e timme eller en gång om året
<ul style="list-style-type: none">• Byt luftfilter ²• Byt bränslefilter• Service av kylsystem ¹• Rengör oljekylarflänsarna ¹

Var 600:e timme eller en gång om året

- Byt säkerhetsfilter (om sådant finns)

- ¹ Rengör oftare i dammiga miljöer och där det finns luftburet skräp.
- ² Byt det inre säkerhetsfiltret, om sådant finns, vid vart tredje luftfilterbyte.

Elektronisk bränsleinsprutning (EFI)

EFI-systemet övervakar motortemperaturen, varvtalet och batterispänningen vid start och under varmkörningen. Det finns inga inställningar att göra på systemet. Vänd dig till närmaste auktoriserade Briggs & Stratton-återförsäljare om du får problem med start och drift av motorn.

MÄRK Följ stegen nedan, insprutningssystemet kan skadas annars.

- Starta aldrig motorn om batterikablarna är lösa.
- Stäng av tändningen innan batteriet, kopplas bort, tas bort eller monteras.
- Starta aldrig motorn med en batteriladdare.
- Koppla aldrig bort batterikablarna med motorn igång.
- Anslut först pluskabeln (+) och sedan minuskabeln (-) när batteriet kopplas in.
- Stäng av tändningen och lossa sedan minuskabeln (-) från batteriet när det ska laddas.
- Spruta inte vatten direkt på den elektroniska styrmodulen.

Förgasare och motorhastighet

Utför aldrig några justeringar på förgasaren eller motorns hastighet. Förgasaren ställdes in på fabriken för att fungera effektivt under de flesta förhållanden. Gör inga ändringar på regulatorfjädrar, länkar eller andra delar för att öka motorns hastighet. Om justeringar krävs, kontakta en godkänd försäljare av Briggs & Stratton för service.

MÄRK Utrustningens tillverkare specificerar den maximala hastigheten för motorn som installerats på utrustningen. **Överstig** inte hastigheten. Om du inte är säker på vilken maximal hastighet som gäller för utrustningen, eller vilken motorhastighet som fabriksinställts, kontakta en godkänd försäljare av Briggs & Stratton för assistans. För en säker och korrekt funktion av utrustningen ska motorns hastighet endast justeras av en kompetent servicetekniker.

Kontrollera tändstiftet

Se bild: 8

Kontrollera gapet (A, bild 8) med ett trädskalibreringssystem (B). Återställ gapet om det behövs. Installera och dra åt tändstiftet till rekommenderat åtdragningsmoment. För gapinställning eller åtdragningsmoment, se avsnittet **Specifikationer**.

Anm.: I vissa områden fordrar den lokala lagstiftningen användning av avstörda tändstift för att undertrycka tändsignaler. Om denna motor ursprungligen utrustats med ett avstört tändstift, bör samma typ av tändstift användas vid byte.

Demontering av avgassystem



VARNING



Motorer som körs producerar värme. Motordelar, speciellt ljuddämparen, blir extremt varma.

Svåra brännskador kan inträffa vid beröring.

Brännbart skräp, som t.ex. löv, gräs, buskar, etc. kan börja brinna.

- Låt ljuddämpare, motorcylinder och kylfläns svalna innan du rör dem.
- Ta bort skräp som samlats från området kring ljuddämparen och cylindern.
- Det är ett brott mot avsnitt 4442 av California Public Resource Code att använda eller köra motorn på eller i närheten av skog-, snår- eller grästäck mark om inte avgassystemet utrustats med en gnistfångare som uppfyller gällande lokala eller delstatliga lagar. Andra delstater eller federala jurisdiktioner kan ha liknande lagar. Kontakta den ursprungliga tillverkaren, återförsäljaren eller säljaren av utrustningen, för att få en gnistfångare som är utformad för avgassystemet i denna motor.

Ta bort skräp som samlats från området kring ljuddämparen och cylindern. Kontrollera om ljuddämparen är sprucken, rostig eller skadad. Rengör flamskyddet och inspektera om det är skadat eller blockerat av kol. Om skada hittas, installera reservdelar innan någon drift.



VARNING

Reservdelar måste vara av samma design och installeras på samma sätt som originaldelarna. Andra delar fungerar sannolikt inte lika bra, kan skada enheten och kan leda till skador.

Byta motorolja

Se bild: 9, 10, 11

Använd olja är farligt avfall och måste avyttras korrekt. Blanda inte med hushållsavfall. Rådgrö med lokala myndigheter, servicecenter eller handlare.

Urtappning av olja

- Med motorn avstängd men fortfarande varm, lossa tändstiftskabeln (kablarna) (D, bild 9) och håll den (dem) borta från tändstiftet (E).
- Ta ut oljestickan (A, bild 10).
- Skruva ur oljepluggen (F, bild 11). Tappa ut oljan i en godkänd behållare.
- Sätt tillbaka och dra åt oljepluggen (F, bild 11) när oljan runnit ut.

Byta oljefilter, om sådant finns

Vissa motorer är utrustade med oljefilter. Underhållsintervaller beskrivs i **Underhållsschema**.

- Tappa ur oljan ur motorn. Se avsnittet **Tappa ur oljan**.
- Demontera oljefiltret (G, bild 11) och lämna det till återvinningscentralen.
- Stryk på lite ren olja på packningen innan du monterar det nya filtret.
- Skruva på filtret med handkraft tills packningen går emot filterfästet och dra åt ytterligare ett halvt till trekvarts varv.
- Fyll på olja Se avsnittet **Fyll på olja**.
- Starta och kör motorn. Titta efter oljeläckage medan motorn värms upp.
- Stanna motorn och kontrollera oljenivån. Rätt oljenivå är överst på den fullmarkeringen (B, bild 10) på oljestickan.

Påfyllning av olja

- Se till att motorn står plant.
 - Rengör området runt oljepåfyllningen.
 - Oljevolymen finns angiven i **avsnittet om olja i Data**.
- Ta ut oljestickan (A, bild 10) och torka av den med en ren trasa.
 - Håll långsamt på olja i oljepåfyllningen (C, bild 10). **Överfyll inte**. Vänta en minut och kontrollera oljenivån.
 - Sätt i och dra åt oljestickan (A, bild 10).
 - Ta ur oljestickan och kontrollera oljenivån. Rätt oljenivå är överst på den fullmarkeringen (B, bild 10) på oljestickan.
 - Sätt tillbaka och dra åt oljestickan (A, bild 10).
 - Anslut tändkabeln (kablarna) (D, bild 9) till tändstiftet (stiften) (E).

Rengöra luftfiltret

Se bild: 12, 13



VARNING



Bränslet och dess ångor är extremt lättantändliga och explosiva.

Brand och explosion kan orsaka svåra brännskador eller dödsfall.

- Starta eller kör aldrig motorn utan luftrenare (i förekommande fall) eller luftfilter (i förekommande fall).

MÄRK Använd inte tryckluft för att rengöra filtret. Tryckluft kan skada filtret och lösningsmedel löser upp filtret.

Se **Underhållstabell** beträffande service.

De olika modellerna har endera plastskum- eller pappersfilter. Vissa modeller kan också ha en förenare som kan tvättas och återanvändas. Jämför bilderna i bruksanvisningen med typen på din motor och utför service enligt nedan.

Pappersluftfilter

- Lossa skruven (skruvarna) (A, bild 12) och ta bort kåpan (B).
- Ta bort filtret (C, bild , 12).
- Lossa skräp genom att knacka luftfiltret lätt mot en hård yta. Är luftfiltret väldigt smutsigt ska det bytas mot ett nytt.
- Dra försiktigt bort säkerhetsfiltret (D, bild 12), om sådant finns, från luftrenarkåpan (E). Se till att det inte kommer in skräp och smuts i motorn.
- Montera det nya säkerhetsfiltret (D, bild 12) i luftrenarkåpan (E).
- Montera luftfiltret (C, bild 12) över säkerhetsfiltret (D).
- Montera kåpan (B, bild 12) och fäst med fästet (fästena) (A).

Pappersluftfilter

- Ta bort fästet (fästena) (A, bild 13).
- Ta bort kåpan (B, bild 13).
- Skruva bort skruven (skruvarna) (C, bild 13) och hållaren (D).
- Ta bort filtret (E, bild , 13).
- Ta bort förenaren (F, bild , 13), om sådan finns, från luftfiltret (E).
- Lossa skräp genom att knacka luftfiltret (E, bild 13) lätt mot en hård yta. Är luftfiltret väldigt smutsigt ska det bytas mot ett nytt.
- Tvätta förenaren (F, bild 13), om sådan finns, i flytande tvättmedel och vatten. Låt förenaren lufttorka helt. **Olja inte** in förenaren.
- Montera den torra förenaren (F, bild 13), om sådan finns, på luftfiltret (E).
- Montera luftfiltret (E, bild 13) och fäst med hållaren (D) och fästet (fästena) (C).
- Montera kåpan (B, bild 13) och fäst med fästet (fästena) (A). Se till att fästet (fästena) sitter ordentligt fast.

Service av bränslesystem

Se figur: 14



VARNING



Bränslet och dess ångor är extremt lättantändliga och explosiva.

Brand eller explosion kan orsaka svåra brännskador eller dödsfall.

- Ha inte gnistor, öppna lågor, indikationslampor, värme och andra antändningskällor i närheten av bränsle.
- Kontrollera att det inte finns sprickor eller läckor på bränsleledningar, tank, lock och kopplingar. Byt vid behov.
- Tappa ur tanken eller stäng bensinkranen innan du byter eller rengör bränslefiltert.
- Låt utspillt bränsle förångas innan du startar motorn.
- Utbytesdelar måste vara likadana och installeras i samma position som originaldelarna.

Bränslefilter, om sådant finns

- Före byte av bränslefiltert (A, figur 14) om sådant finns, ska bränsletanken dräneras eller bränslekranen stängas. Bränsle kan annars läcka ut och orsaka brand eller explosion.
- Använd pincett för att trycka ihop flikarna (B, figur 14) på klämmorna (C), skjut sedan bort klämmorna från bränslefiltert (A). Vrid och dra av bränsle slangarna (D) från bränslefiltert.
- Kontrollera att bränsleslangarna (D, figur 14) inte har sprickor eller läcker. Byt vid behov.
- Ersätt bränslefiltert (A, figur 14) med ett märkesfilter.
- Säkra bränsleslangarna (D, figur 14) med klämmor (C) så som visas.

Service av kylsystem

Se bild: 15, 16



VARNING



Motorer som körs producerar värme. Motordelar, speciellt ljuddämparen, blir extremt varma.

Svåra brännskador kan inträffa vid beröring.

Brännbart skräp, som t.ex. löv, gräs, buskar, etc. kan börja brinna.

- Låt ljuddämpare, motorcylinder och kylflänsar svalna innan du rör dem.
- Ta bort skräp som samlats från området kring ljuddämparen och cylindern.

MÄRK Använd inte vatten för att rengöra motorn. Vatten kan förorena bränslesystemet. Använd en borste eller torr trasa för att göra rent motorn.

Detta är en luftkyld motor. Denna motor är luftkyld. Skräp och smuts kan hindra luftflödet och få motorn att överhettas, vilket ger sämre prestanda och förkortar livslängden.

1. Avlägsna skräp från luftintaget med en borste eller torr trasa (A, bild 15).
2. Håll länkar, fjäder och reglage (B, bild 15, 16) rena.
3. Håll området runt och bakom ljuddämparen (C, 15, 16) fria från antändbart skräp
4. Se till att kylflänsarna (D, bild 15) är fria från smuts och skräp.
5. Lossa fästet (fästena) (E, bild 16) tills det klickar. Ta bort plåten (F) och rengör området. Se till att undersidan på plåten också är ren.
6. Montera plåten (F, bild 16) och fäst med fästet (fästena) (E). Dra åt fästet (fästena) tills det klickar.

Efter en tidsperiod kan skräp samlas i cylinderns kylflänsar och leda till en överhettning av motorn. Det här skräpet kan inte tas bort utan en delvis nedmontering av motorn. Se till att en godkänd försäljare av Briggs & Stratton kontrollerar och gör rent luftkylsystemet enligt rekommendationerna i **Underhållstabellen**.

Förvaring



Bränslet och dess ångor är mycket brandfarliga och kan explodera.

Brand eller explosion kan orsaka svåra brännskador eller dödsfall.

Vid förvaring av bränsle eller maskin med bränsle i tanken

- Förvara på avstånd från ugnar, brännare, vattenvärmare och andra apparater med sparlågor eller andra tändkällor, då sådana kan antända bränsleångor.

Bränslesystem

Se figur: 17

Förvara maskinen horisontellt (normalt arbetsläge). Fyll bränsletanken (A, figur 17) med bränsle. För att bränslet ska kunna expandera får man inte fylla på mer än till nederkanten av bränsletankens hals (B).

Bränsle kan bli unket när det förvaras längre än 30 dagar. Gammalt bränsle leder till att syra- och gummiavlagringar bildas i bränslesystemet eller på viktiga delar i förgasaren. För att hålla bränslet färskt, använd **Briggs & Strattons Bränsletillsats och stabiliserare**, som finns tillgängligt på alla platser som säljer originaldelar från Briggs & Stratton.

Det är inte nödvändigt att tappa ut bensin från motorn om en bränslestabilisator tillsätts enligt anvisningarna. Kör motorn under två (2) minuter för att cirkulera stabilisatorn genom bränslesystemet innan den ska förvaras.

Har inte bensinen i motorn behandlats med en bränslestabilisator, måste den tappas ut i en godkänd behållare. Kör motorn tills den stannar av brist på bränsle. Vi rekommenderar att man använder bränslestabilisator i förvaringsbehållaren för att bränslet ska förbli färskt.

Motorolja

Byt olja medan motorn fortfarande är varm. Se avsnittet **Byt motorolja**.

Felsökning

Vänd dig till närmaste återförsäljare eller gå till **VanguardEngines.com** eller ring **1-800-999-9333** (i USA) om du behöver hjälp.

Data

Modell: 540000	
Slagvolym	54.68 ci (896 cc)
Cylinderdiameter	3.366 in (85,5 mm)
Slaglängd	3.071 in (78,0 mm)
Oljevolym	78 - 80 oz (2,3 - 2,4 l)

Modell: 540000	
Tändstifelektrodavstånd	.030 in (.76 mm)
Åtdragningsmoment, tändstift	180 lb-in (20 Nm)
Luftgap	.005 - .008 in (.13 - .20 mm)
Ventilspe, insug	.004 - .006 in (.10 - .15 mm)
Ventilspe, avgas	.007 - .009 in (.18 - .23 mm)

Modell: 610000, 61E100	
Slagvolym	60.60 ci (993 cc)
Cylinderdiameter	3.366 in (85,5 mm)
Slaglängd	3.406 in (86,5 mm)
Oljevolym	78 - 80 oz (2,3 - 2,4 l)
Tändstifelektrodavstånd	.030 in (.76 mm)
Åtdragningsmoment, tändstift	180 lb-in (20 Nm)
Brytarelektrodavstånd - Modeller med förgasare	.005 - .008 in (.13 - .20 mm)
Ventilspe, insug	.004 - .006 in (.10 - .15 mm)
Ventilspe, avgas	.007 - .009 in (.18 - .23 mm)

Motoreffekten minskar med 3,5 % för varje 1 000 fot (300 m) över havsytan och 1 % för varje 10° F (5,6° C) över 77° F (25° C). Motorn arbetar tillfredsställande i upp till 15° vinkel. Se maskintillverkarens instruktionsbok beträffande säkra arbetsgränser på sluttningar.

Reservdelar - modell: 540000, 610000, 61E100	
Reservdel	Artikelnummer
Cykloniskt luftfilter (bild 12)	841497
Cykloniskt säkerhets filter (bild 12)	821136
Luftfilter, låg profil (bild 13)	692519
Förrenare, låg profil (bild 13)	692520
Olja - SAE 30	100028
Oljefilter	842921
Bränsletillsats och stabiliserare	100117, 100120
Bränslefilter	691035
Avstört tändstift	491055
Platinatändstift med lång livslängd	5066
Tändstiftsnyckel	19374
Gnistprovare	19368

Vi rekommenderar att du tar kontakt med en auktoriserad Briggs & Stratton-verkstad för underhåll och reparation av motorn och dess delar.

Nominell effekt: Den nominella bruttoeffekten för enskilda bensinmotorer märks i enlighet med SAE:s (Society of Automotive Engineers) kod J1940, rutin för effekt- och vridmomentklassning för små motorer, och klassas i enlighet med SAE J1995. Vridmomentvärden härleds vid 2 600 RPM för de motorer som har "rpm" angivet på märkningen och 3 060 RPM för alla andra. Hästkraftvärden härleds vid 3 600 RPM. Bruttoeffekt kurvorna kan ses på www.BRIGGSandSTRATTON.COM. Nettoeffekt värdena tas med avgas- och luftrenare installerade, medan däremot bruttoeffekt värdena samlas in utan dessa tillbehör. Motorernas verkliga bruttoeffekt blir högre än motorernas nettoeffekt och påverkas bl.a. av miljömässiga arbetsförhållanden och variationer i olika motorer. Med tanke på det breda utbudet produkter i vilka motorer monteras, är det inte säkert att bensinmotor utvecklar den klassificerade bruttoeffekten när den när den körs i en viss utrustning. Skillnaden beror på ett antal faktorer, bland annat, men inte begränsat till olika motordelar (luftrenare, avgassystem, laddning, kylning, förgasare, bensinpump osv.), begränsning i tillämpningen, miljömässiga körförhållanden (temperatur, luftfuktighet, höjd över havet) och variationer i olika motorer. På grund av tillverknings- och kapacitetsbegränsningar kan Briggs & Stratton byta till en motor med högre effekt för denna motorserie.

Garanti

Garanti för Briggs & Stratton-motorer

Gäller från Januari 2017

Begränsad garanti

Briggs & Stratton garanterar att man, under garantiperioden som specificeras härunder, utan kostnad kommer att reparera eller byta ut delar med materialfel och/eller tillverkningsfel. Köparen står själv för transportkostnaden för produkt som lämnats in för reparation eller utbyte. Garantin gäller under nedan angivna perioder och enligt nedan angivna villkor. För garantiservice, hitta närmaste auktoriserade serviceverkstad på vår karta över närmaste återförsäljare på BRIGGSandSTRATTON.com. Köparen måste kontakta den auktoriserade serviceverkstaden och sedan göra produkten tillgänglig för den auktoriserade serviceverkstaden för inspektion och test.

Det finns ingen annan uttrycklig garanti. Underförstådda garantier, inklusive för säljbarhet och lämplighet för ett visst ändamål, begränsas till nedan angiven garantiperiod eller till den omfattning som lagen tillåter. Ansvarsgaranti vid skador av påföljdstyp och tillfälliga skador exkluderas i den grad det är tillåtet enligt lag. Vissa länder eller delstater medger inte begränsning av hur länge en underförstådd garanti gäller och vissa tillåter inte undantagande eller begränsning av ansvaret för följdskadorna, så ovanstående gäller därför inte alla köpare. Denna garanti ger specifika legala rättigheter, men det kan även finnas andra rättigheter som varierar från land till land eller stat till stat.⁴

Standardgarantivillkor 1, 2, 3

Märke/Produktnamn	Privatbruk	Kommersiell användning
Vanguard™; Commercial Series	36 månader	36 månader
Motorer med Dura-Bore™ gjutjärnsfoder	24 månader	12 månader
Alla andra motorer	24 månader	3 månader

¹ Dessa är våra standard garantivillkor men ibland kan ytterligare garantitäckning finnas som inte var fastställda vid publiceringen. För en lista över aktuella garantivillkor för din motor, gå till BRIGGSandSTRATTON.com eller kontakta din Briggs & Stratton godkända försäljare.

² Det finns ingen garanti för motorer på utrustningar som används för primäreffekt istället för anslutning till elnätet eller för reservgeneratorer för kommersiellt bruk. Motorer som används i tävlings syfte eller på tävlingsbanor täcks inte av garantin.

³ Vanguard installerade på reservgeneratorer: 24 månaders konsumentbruk, ingen garanti för kommersiellt bruk. Vanguard installerade på nyttofordon: 24 månaders konsumentbruk, 24 månader för kommersiellt bruk. Commercial Series med tillverkningsdatum innan juli 2017: 24 månaders konsumentbruk, 24 månaders kommersiellt bruk.

⁴ I Australien - Våra varor omfattas av garantier som inte kan fränkrivas enligt australiensisk konsumentlag. Du har rätt till en ersättning eller återbetalning vid ett betydande fel och till kompensation vid annan rimlig förutsebar förlust eller skada. Du har även rätt till att få varorna reparerade eller utbytta om varorna inte är av acceptabel kvalitet och felet inte uppgår till ett betydande fel. För garantiservice, kontakta närmaste auktoriserade serviceverkstad på vår återförsäljarkarta på BRIGGSandSTRATTON.com, eller genom att ringa 1300 274 447, eller skicka e-post eller brev till salesenquires@briggsandstratton.com.au, Briggs & Stratton Australia Pty Ltd, 1 Moorebank Avenue, Moorebank, NSW, Australia, 2170.

Garantiperioden börjar inköpsdagen för privatkunder och företagskunder. Med "Privat bruk" avses personligt bruk i hemmet av privatperson. "Kommersiellt bruk" avser allt annat bruk, inklusive affärsrelaterat bruk, användning i näringsverksamhet eller uthyrning. En motor som en gång har använts kommersiellt, ska därefter alltid betraktas som kommersiell i samband med denna garanti.

Spara ditt inköpskvitto. Om inköpskvittot inte kan uppvisas vid yrkan på garantireparation, kommer produktens tillverkningsdatum att användas för att bestämma garantiperioden. Produktregistrering krävs inte för att få garantiservice på Briggs & Strattons produkter.

Angående din garanti

Denna garanti täcker endast motorrelaterat defekt material och/eller utförande och täcker inte utbyte av eller ersättning för den maskin på vilken motorn kan vara monterad. Rutinunderhåll, trimningar, justeringar eller normalt slitage täcks inte av den här garantin. Garantin gäller likaledes inte om motorn har ändrats eller manipulerats eller om motorns serienummer har raderats eller tagits bort. Den här garantin täcker inte motorskador eller prestandaproblem som orsakas av:

1. användning av delar som inte är Briggs & Stratton originaldelar,
2. användning av motorn med otillräcklig, förorenad eller dålig kvalitet på smörjoljan,
3. användning av förorenad eller gammalt bränsle, diesel med en etanolhalt som överstiger 10 % eller användning av bränslen som motorgas eller naturgas på motorer som inte ursprungligen konstruerats/tillverkats av Briggs & Stratton för en funktion med sådana bränslen,
4. smuts som trängt in i motorn på grund av ett dåligt underhåll av luftfiltret eller dålig återmontering,
5. slag mot föremål med skärbladet på en roterande gräsklippare, lösa eller dåligt installerade bladaptrar, pumphjul eller andra vevaxelkopplade enheter eller för hårt spänd V-rem,
6. tillbehör eller enheter som t.ex. kopplingar, växellådor, utrustningsreglage, osv., som inte levereras av Briggs & Stratton,

7. överhettning p.g.a klippt gräs, smuts och skräp eller gnagarnästen som täpper till kylflänsarna eller svänghjulets område eller när motorn används utan en tillräcklig ventilation,
8. för hög vibration på grund av en för hög hastighet, lös montering av motorn, lösa eller obalanserade skärblad eller pumphjul eller dålig koppling av utrustningens komponenter till vevaxeln,
9. felaktig användning, dåligt löpande underhåll, transport, hantering eller förvaring av utrustningen eller dålig installation av motorn.

Garantiservice tillhandahålls endast genom Briggs & Stratton auktoriserade verkstäder. Lokalisera din närmaste godkända försäljare på vår återförsäljarkarta på BRIGGSandSTRATTON.COM eller genom att ringa 1-800-233-3723 (i USA).

80004537 (Rev. C)



Not for
Reproduction