

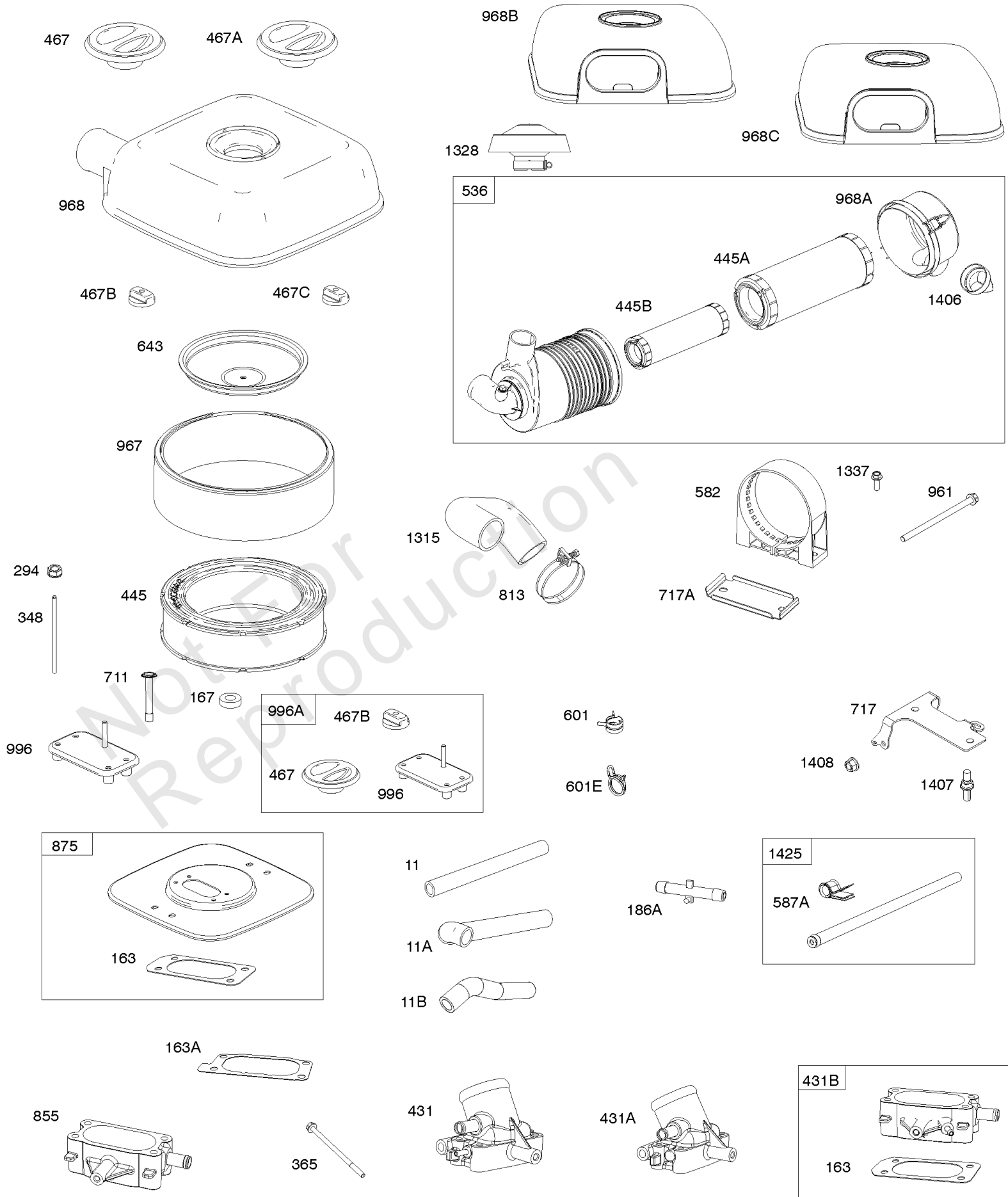


# Parts Manual

Mfg. No: 613777-0111-E1

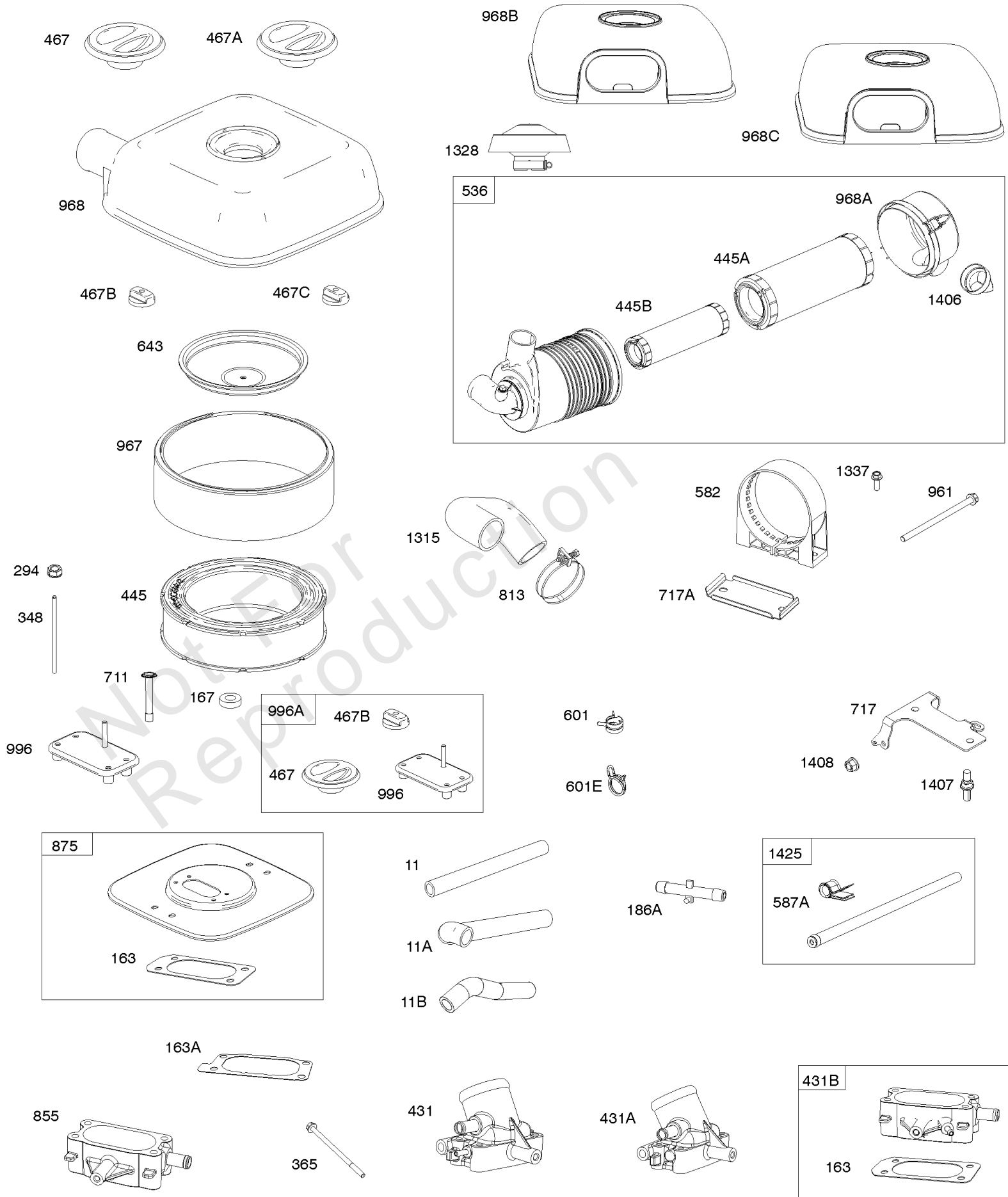


<b>Model Components</b>	<b>Page</b>
Air Cleaners. ....	4
Blower Housing, Flywheel, Air Guides. ....	8
Carburetor (Non Solenoid), Fuel Supply. ....	12
Carburetor Overhaul Kit, Engine/Valve Gasket Sets. ....	16
Carburetors (Fuel Solenoid). ....	18
Control Brackets, Springs/Links, Mufflers. ....	22
Crankshaft, Piston/Rings/Connecting Rod. ....	24
Cylinder Heads. ....	26
Cylinders, Sumps, Camshaft. ....	28
Electric Starter, Regulator, Alternator, Armatures. ....	32
Intake Manifold, Oil Cooler. ....	34
Replacement Engine - US & Canada. ....	36
Rocker Covers. ....	37
Wiring Harness's. ....	39
Model 54-61 Engine Accessories Catalog. ....	41
Maintenance Kits. ....	42
Lubrication. ....	44
Oil Filter Side Outlet Mufflers. ....	46
Center Outlet Mufflers. ....	48
Starter Side Outlet Mufflers. ....	50
Muffler Bracket Kits. ....	52
Speed Control. ....	54
Electrical. ....	56
Stub Shafts. ....	58
Spark Arrester/Deflector. ....	60
Air Intake. ....	62
Guarding. ....	64
Electronic Throttle Kit. ....	66



## Air Cleaners

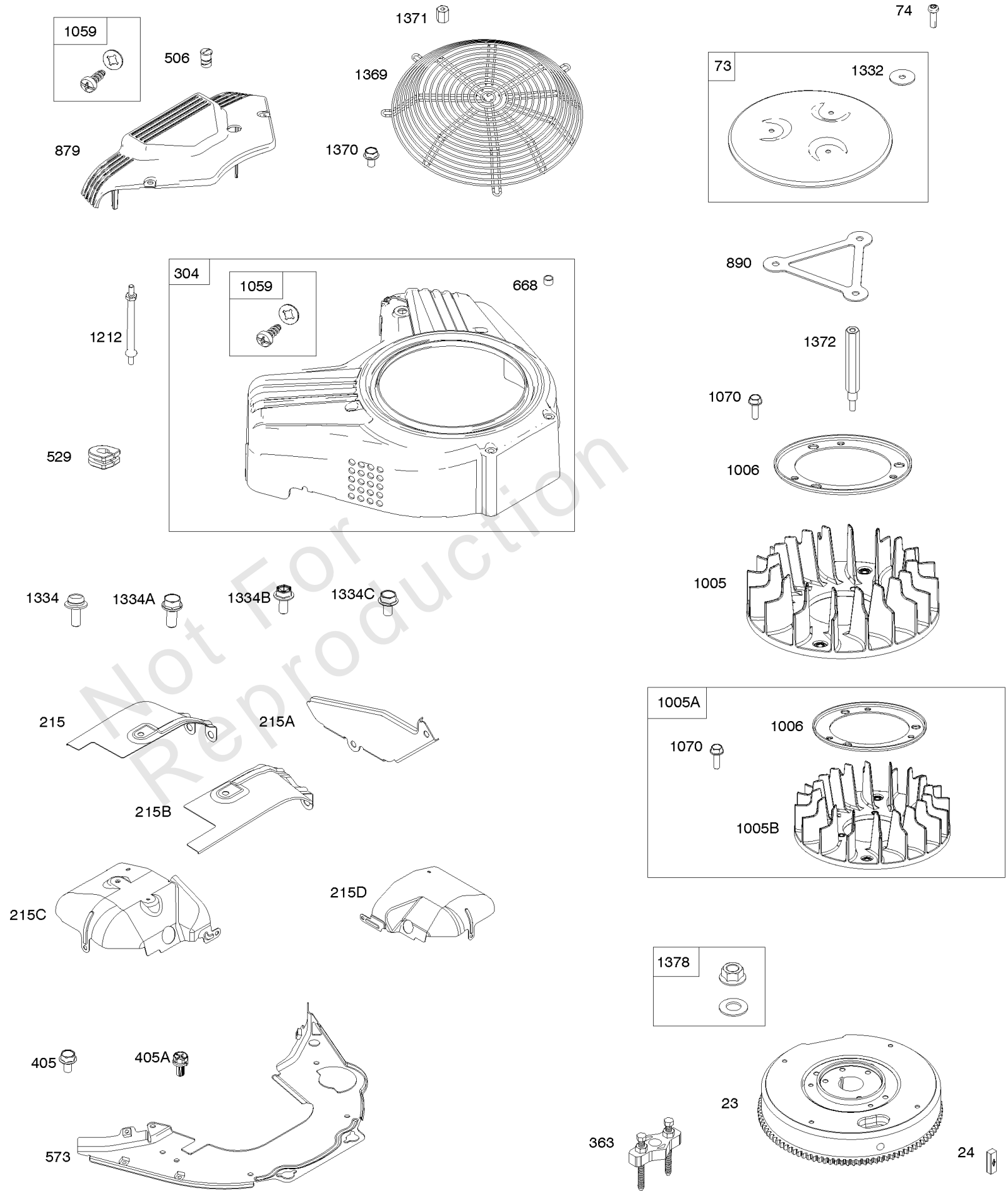
REF NO	PART NO	QTY	DESCRIPTION
11	842541		TUBE, Breather
11A	846239		TUBE, Breather -Used Before Code Date 16101200
163	843117		GASKET, Air Cleaner -(Air Cleaner Side)
163A	807375		GASKET, Air Cleaner -(Carburetor Side)
167	841855		SEAL, Air Cleaner Nut
186A	845121		CONNECTOR, Hose -(EVAP)
294	690939		NUT -(Carburetor Shield)
348	843360		STUD -(Carburetor Shield) (M6x134mm)
365	841853		SCREW -(Carburetor/Throttle Body) (M6x103mm)
431A	842528		ADAPTER, Air Cleaner
445	692519		FILTER, A/C Cartridge
445A	841497		FILTER, A/C Cartridge
445B	821136		FILTER, A/C Cartridge
467	846008		KNOB, Air Cleaner Cover -(M8)
467A	841846		KNOB, Air Cleaner Cover -(M6)
467B	846007		KNOB, Air Cleaner Cover -(M8)
467C	844618		KNOB, Air Cleaner Cover -(M6)
536	809670		CLEANER, Air
582	809878		CLAMP, Air Cleaner
587A	807116		CLAMP, Tube
601	844405		CLAMP, Hose -(Breather Tube) -Used After Code Date 07121300
601E	841499		CLAMP, Hose -(Breather Tube) -Used Before Code Date 07121400
643	844932		RETAINER, Air Cleaner
711	843361		SCREW -(Carburetor Shield)
717	842529		BRACKET, Air Cleaner
717A	841886		BRACKET, Air Cleaner
813	807376		CLAMP
875	843118		BASE, Air Cleaner
961	846829		SCREW -(Air Cleaner Bracket) (M8x125mm)
967	692520		FILTER, Pre Cleaner
968	841847		COVER, Air Cleaner
968A	842621		COVER, Air Cleaner
996	846006		SHIELD, Carburetor -(M8 Stud)
996A	846013		SHIELD, Carburetor -(M8 Stud) (Replaces M6 Stud)
1315	809905		HOSE, Air Cleaner
1328	809907		CAP, A/C Rain
1337	807382		SCREW -(Air Cleaner Clamp)



## Air Cleaners

REF NO	PART NO	QTY	DESCRIPTION
1406	842623		VALVE, Debris
1407	842531		STUD -(Air Cleaner Bracket)
1408	690941		NUT -(Air Cleaner Bracket)
1425	844712		HOSE, Purge Line -(EVAP) (Cut to Required Length)

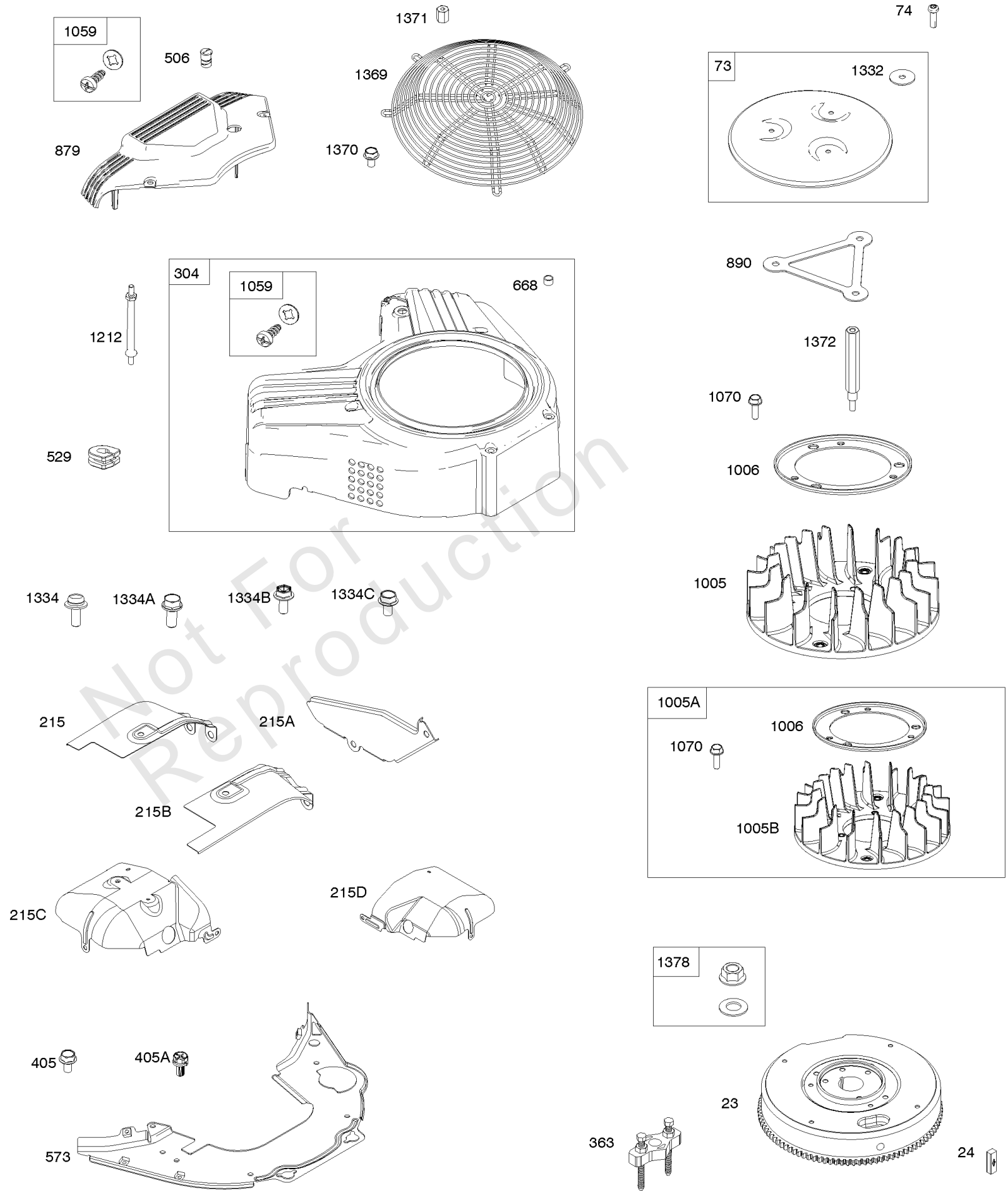
Not For Reproduction





## Blower Housing, Flywheel, Air Guides

REF NO	PART NO	QTY	DESCRIPTION
23	844385		FLYWHEEL
24	222698S		KEY, Flywheel -(Aluminum) -Used Before Code Date 07122800
24	796335		KEY, Flywheel -(Steel) -Used After Code Date 07122700
73	841840		SCREEN, Rotating
74	809947		SCREW -(Rotating Screen) (M6x20mm)
215	809728		GUIDE, Air -(Cylinder 1)
215A	809739		GUIDE, Air -(Valley)
215D	809897		GUIDE, Air -(Cylinder #2)
215B	809737		GUIDE, Air -(Cylinder 2)
215C	809738		GUIDE, Air -(Cylinder #1)
304	846481		HOUSING, Blower
363	19203		PULLER, Flywheel
405	841233		SCREW -(Back Plate) (M6x10mm)
405A	841735		SCREW -(Back Plate) (M6x14mm)
506	809957		SCREW -(Carburetor/EFI Cover) -Used Before Code Date 11041800
529	690744		GROMMET -(Magneto Armature Wires)
573	846840		PLATE, Back
668	841974		SPACER -(Blower Housing)
879	842526		COVER, Carburetor/EFI
890	809987		BRACKET, Support
1005	846996		FAN, Flywheel -(Used With Rotating Screen) -Used After Code Date 15080600
1005A	847199		FAN, Flywheel -Used Before Code Date 15080700
1006	847198		RETAINER, Fan
1059	845300		KIT, Screw/Washer -(Carburetor/EFI Cover) -Used After Code Date 11041700
1070	807435		SCREW -(Flywheel Fan) (M6x20mm)
1070	841205		SCREW -(Flywheel Fan) (M6x24mm)
1212	809958		STUD -(Blower Housing)
1332	809948		WASHER -(Rotating Screen)
1334	690677		SCREW -(Air Guide) (M8x12mm)
1334A	692062		SCREW -(Air Guide) (M8x18mm)
1334B	807084		SCREW -(Air Guide) (M6x14mm)



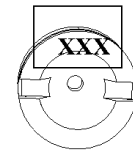
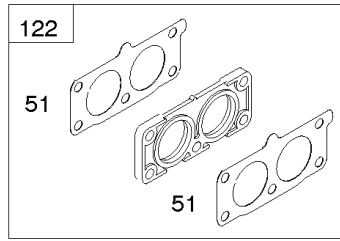
## ***Blower Housing, Flywheel, Air Guides***

<b>REF NO</b>	<b>PART NO</b>	<b>QTY</b>	<b>DESCRIPTION</b>
1334C	841233		SCREW -(Air Guide) (M6x10mm)
1369	842858		GUARD, Flywheel Fan
1370	841233		SCREW -(Flywheel Fan Guard) (M6x10mm)
1371	841537		NUT -(Flywheel Fan Guard)
1372	809946		STUD -(Rotating Screen)
1378	844795		SET, Washer/Nut -(Flywheel)

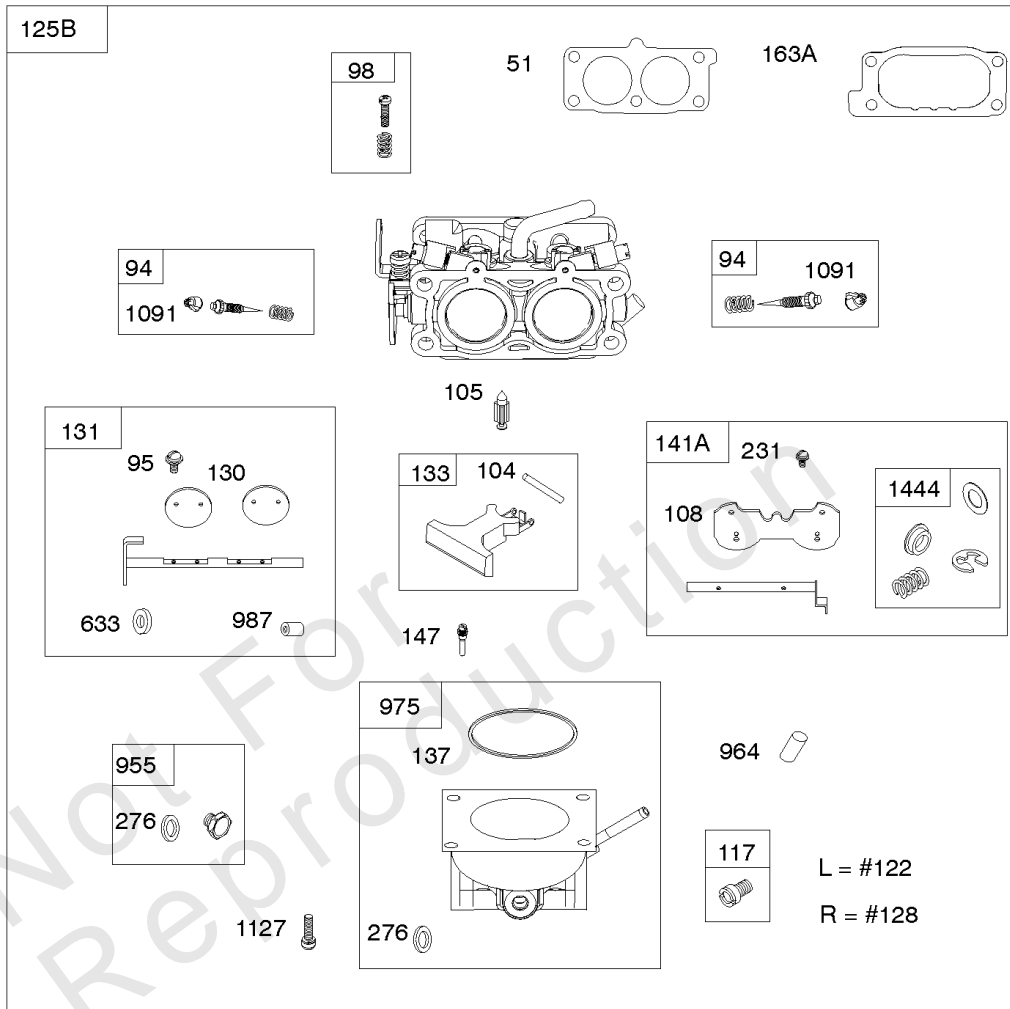
Not For Reproduction

# Carburetor (Non Solenoid), Fuel Supply

Mfg. No: 613777-0111-E1

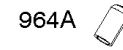


117 & 118 & 147



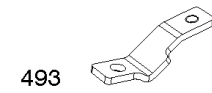
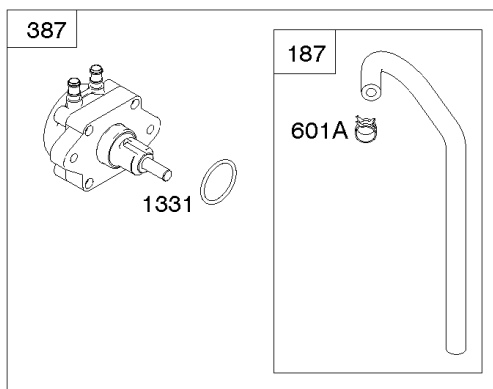
117B L = #138  
R = #142

118B L = #134  
R = #138

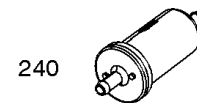
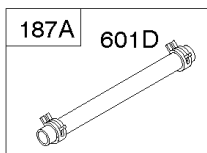
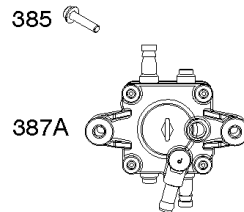


118 L = #118  
R = #124

118A L = #136  
R = #140



493



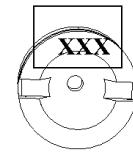
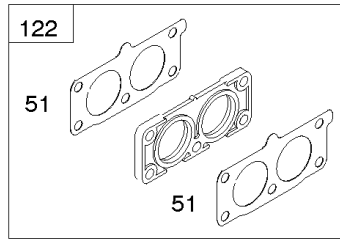
240

## Carburetor (Non Solenoid), Fuel Supply

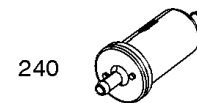
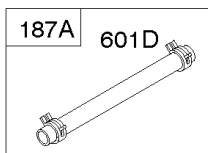
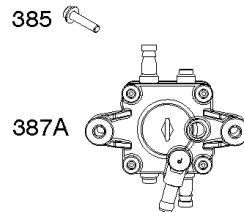
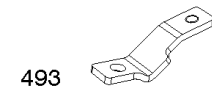
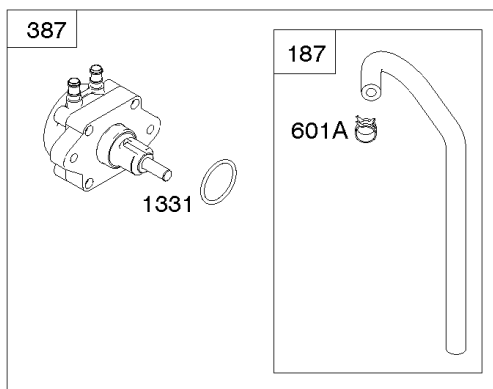
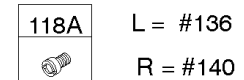
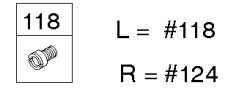
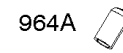
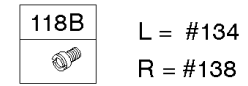
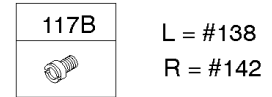
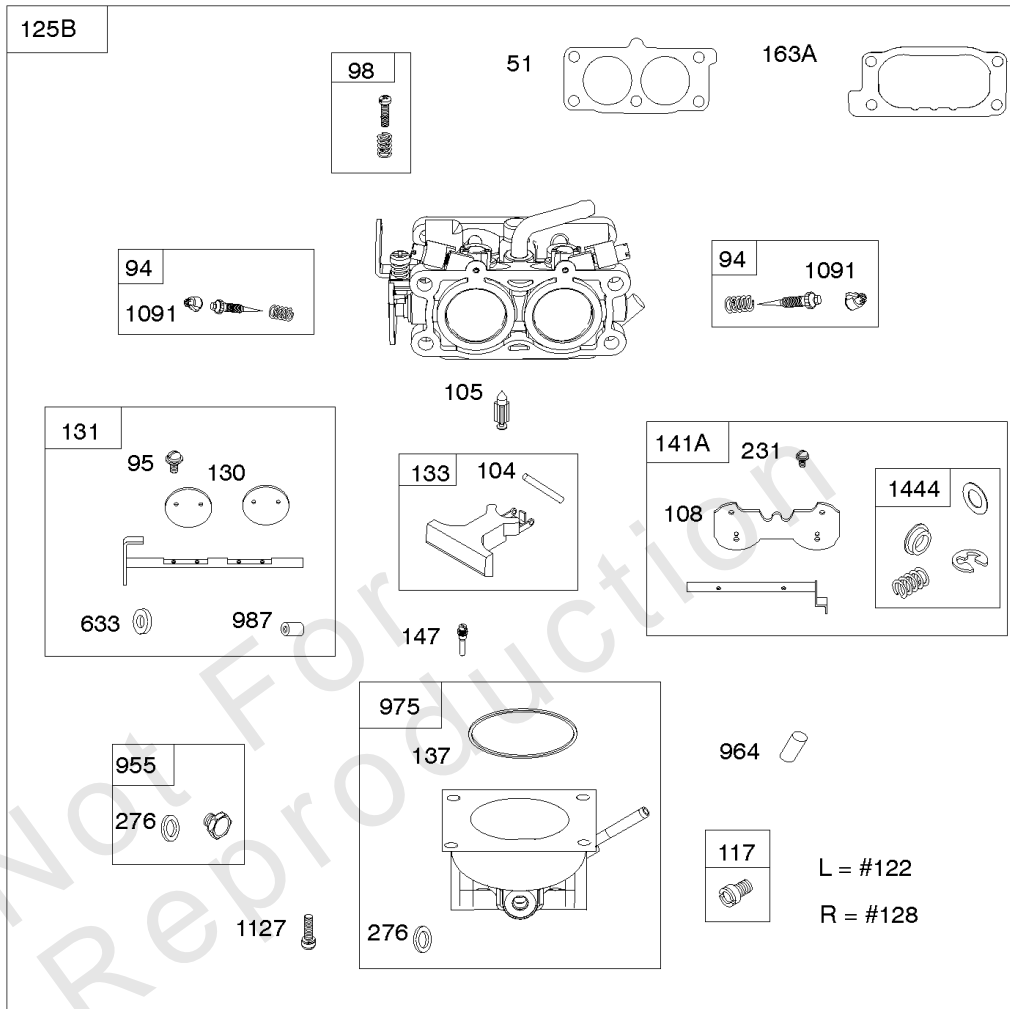
REF NO	PART NO	QTY	DESCRIPTION
51	841882		GASKET, Intake
94	843295		KIT, Idle Mixture
95	690718		SCREW -(Throttle Valve)
98	809716		KIT, Idle Speed
104	690739		PIN, Float Hinge
105	843366		VALVE, Float Needle
108	844652		VALVE, Choke
117	842150		JET, Main -(Standard) (Left Jet) (#122)
117	845867		JET, Main -(Standard) (Right Jet) (#128)
117B	843365		JET, Main -(Standard) (Left Jet) (#138)
117B	842103		JET, Main -(Standard) (Right Jet) (#142)
118	845869		JET, Main -(High Altitude) (Right Jet) (#124)
118	809634		JET, Main -(High Altitude) (Left Jet) (#118)
118A	842104		JET, Main -(High Altitude) (Left Jet) (#136)
118A	843587		JET, Main -(High Altitude) (Right Jet) (#140)
118B	843376		JET, Main -(High Altitude) (Left Jet) (#134)
118B	843365		JET, Main -(High Altitude) (Right Jet) (#138)
122	846245		SPACER, Carburetor
130	841913		VALVE, Throttle
131	844789		KIT, Throttle Shaft
133	809637		FLOAT, Carburetor
137	809645		GASKET, Float Bowl
147	843375		JET, Pilot -(#56)
147	845868		JET, Pilot -(#60)
163A	807375		GASKET, Air Cleaner -(Carburetor Side)
187	844083		LINE, Fuel -(Formed Hose)
187A	791766		LINE, Fuel -(15 Inches Long)(Cut To Required Length)
187A	791745		LINE, Fuel -(23 Inches )(Cut To Required Length)
231	690718		SCREW -(Choke Valve)
240	845125		FILTER, Fuel
276	806476		WASHER, Sealing
385	807084		SCREW -(Fuel Pump) (M6x14mm)
385	809876		SCREW -(Fuel Pump) (M5x22mm)
387	844088		PUMP, Fuel
387A	844527		PUMP, Fuel
493	845592		BRACKET, Mounting -(Fuel Line)

# Carburetor (Non Solenoid), Fuel Supply

Mfg. No: 613777-0111-E1



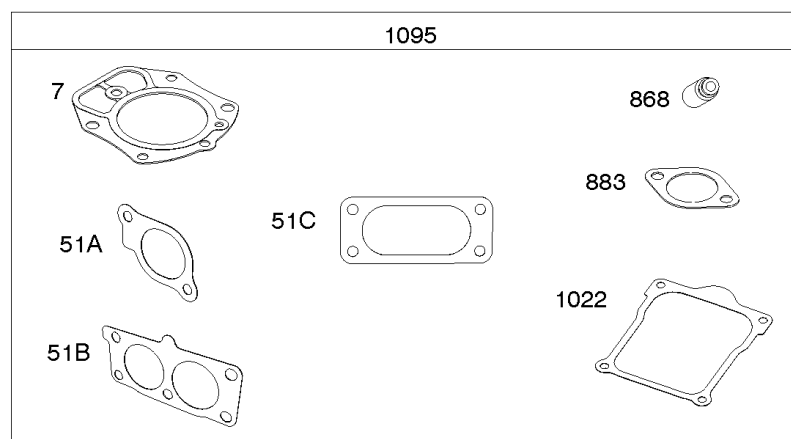
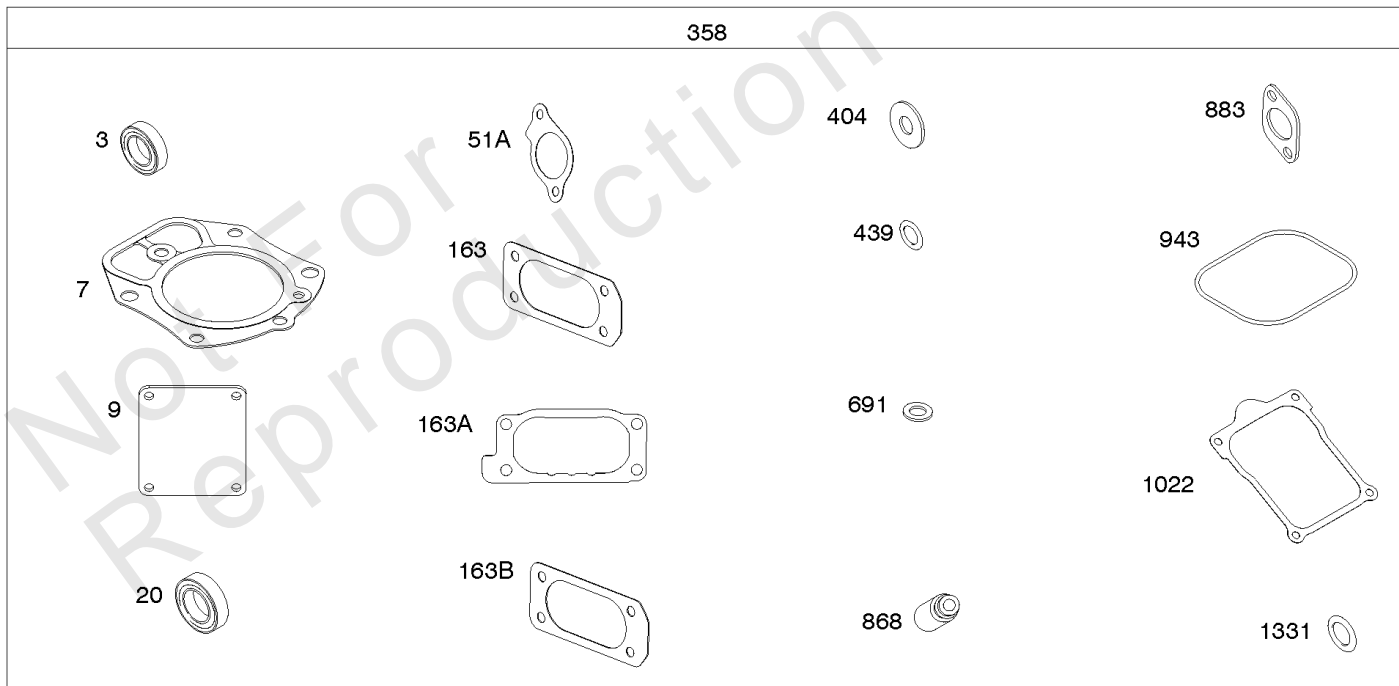
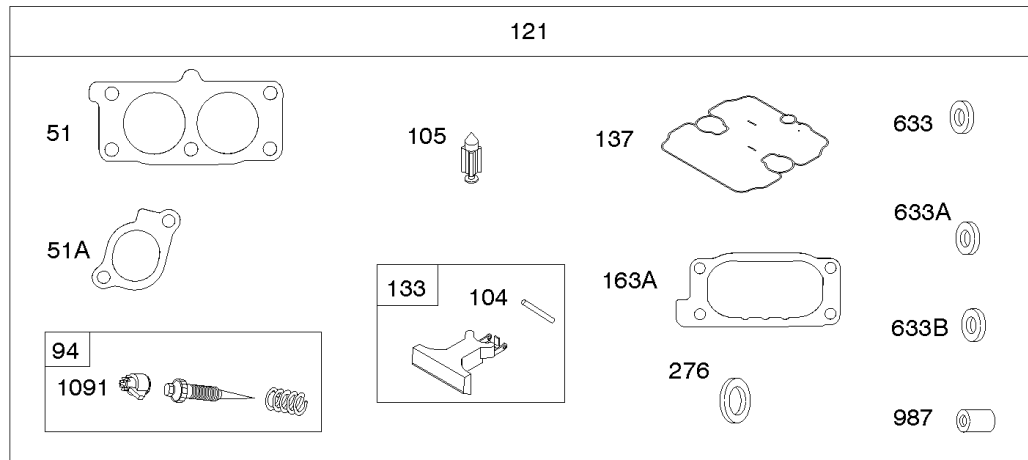
117 & 118 & 147



## ***Carburetor (Non Solenoid), Fuel Supply***

REF NO	PART NO	QTY	DESCRIPTION
601A	691038		CLAMP, Hose -(Black)
601D	791850		CLAMP, Hose -(Green)
633	809641		SEAL, Choke/Throttle Shaft -(Throttle Shaft)
964	809640		CAP, Connector -(Carburetor)
964A	590799		CAP, Connector
975	842106		BOWL, Float
987	809639		SEAL, Choke/Throttle Shaft
1091	691515		CAP, Limiter
1127	809715		SCREW -(Float Bowl to Carburetor Body)
1331	809894		SEAL, O-Ring -(Fuel Pump)
1444	845039		KIT, Choke Shaft Seal

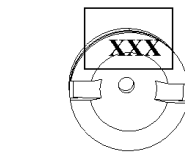
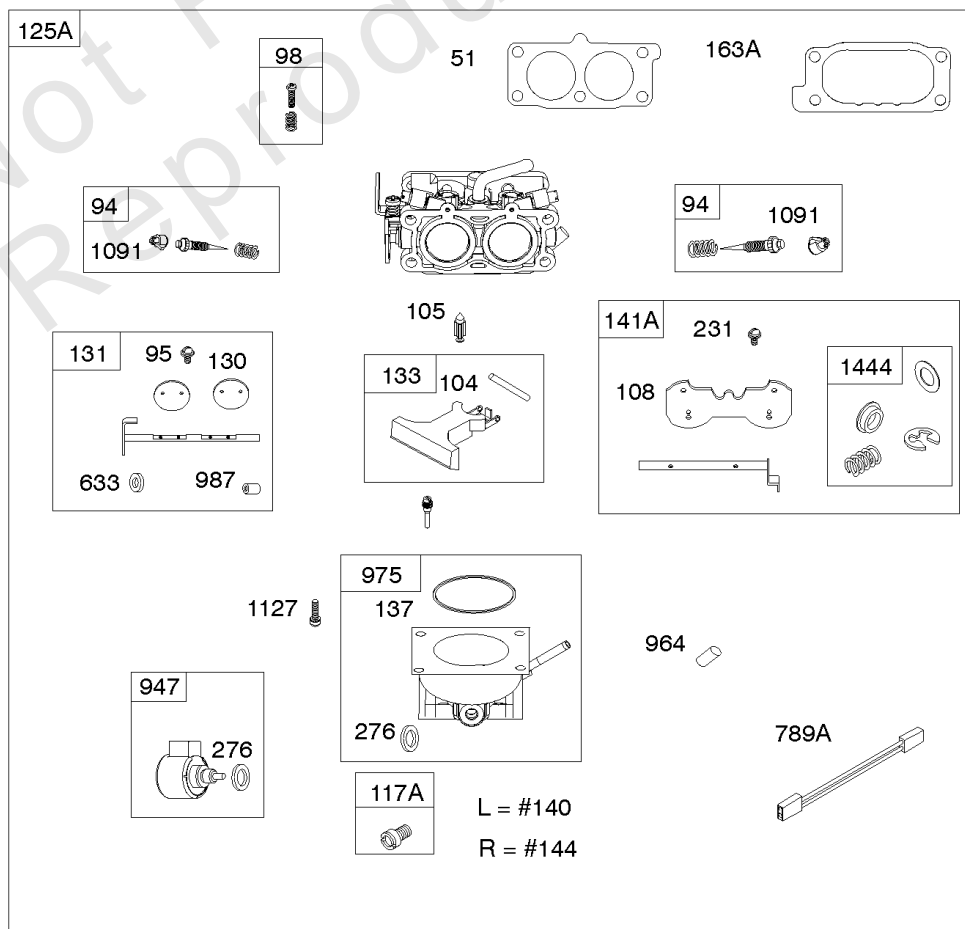
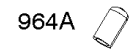
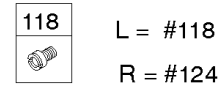
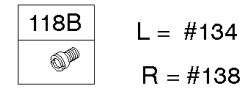
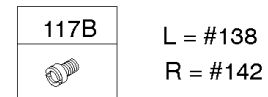
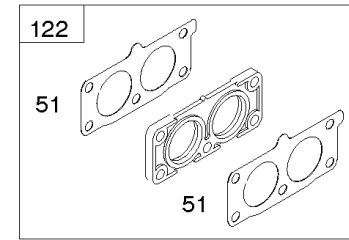
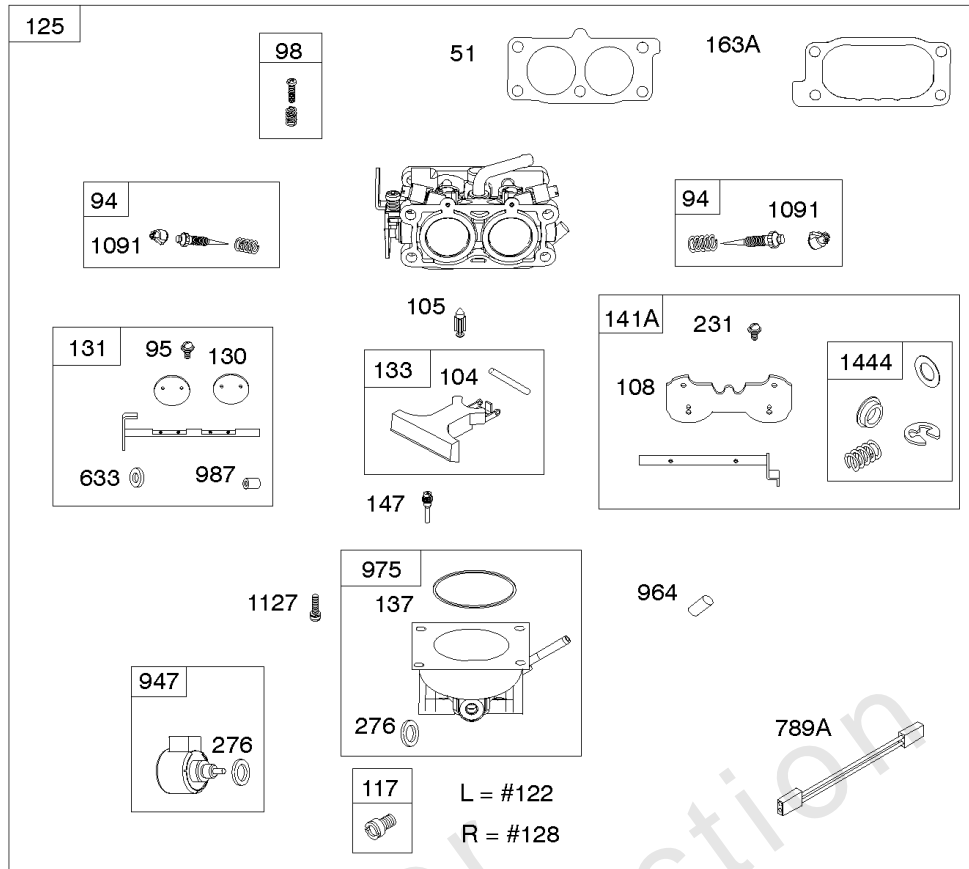
Not For Reproduction



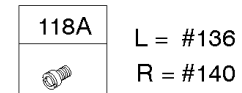
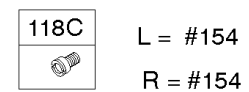
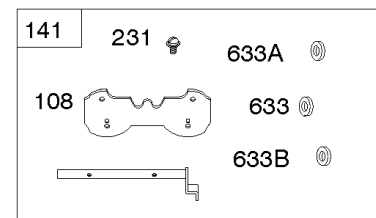


## Carburetor Overhaul Kit, Engine/Valve Gasket Sets

REF NO	PART NO	QTY	DESCRIPTION
3	841596		SEAL, Oil -(Magneto Side)
7	809730		GASKET, Cylinder Head
9	842545		GASKET, Breather
20	841596		SEAL, Oil -(PTO Side)
51	841882		GASKET, Intake
51A	841592		GASKET, Intake
51B	809910		GASKET, Intake
51C	843455		GASKET, Intake
94	843295		KIT, Idle Mixture
104	690739		PIN, Float Hinge
105	843366		VALVE, Float Needle
121	843378		KIT, Carburetor Overhaul
133	809637		FLOAT, Carburetor
137	809645		GASKET, Float Bowl
163	843117		GASKET, Air Cleaner -(Air Cleaner Side)
163A	807375		GASKET, Air Cleaner -(Carburetor Side)
163B	841852		GASKET, Air Cleaner -(Air Cleaner)
276	806476		WASHER, Sealing
358	843370		GASKET SET, Engine
404	809436		WASHER -(Governor Crank)
439	692154		O-RING, Oil Gallery -(Crankcase Cover/Sump or Cylinder Assembly)
633	809641		SEAL, Choke/Throttle Shaft -(Throttle Shaft)
633A	809638		SEAL, Choke/Throttle Shaft -(Choke Shaft)
633B	809644		SEAL, Choke/Throttle Shaft -(Choke Shaft)
691	809287		SEAL, Governor Shaft
868	691963		SEAL, Valve
883	809872		GASKET, Exhaust
943	842538		SEAL, O-Ring -(Oil Pump Cover)
987	809639		SEAL, Choke/Throttle Shaft
1022	809732		GASKET, Rocker Cover
1091	691515		CAP, Limiter
1095	843713		GASKET SET, Valve
1331	809894		SEAL, O-Ring -(Fuel Pump)

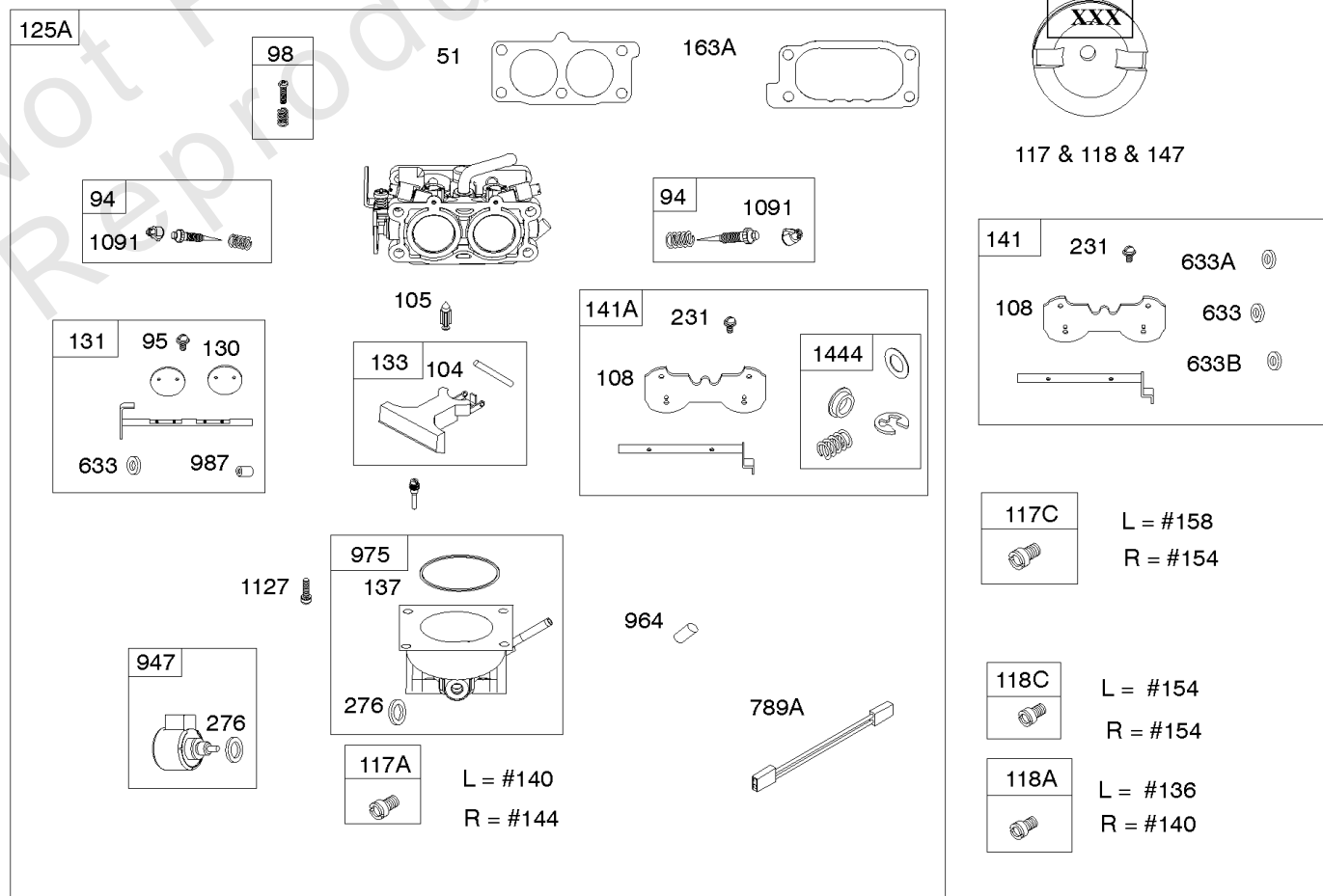
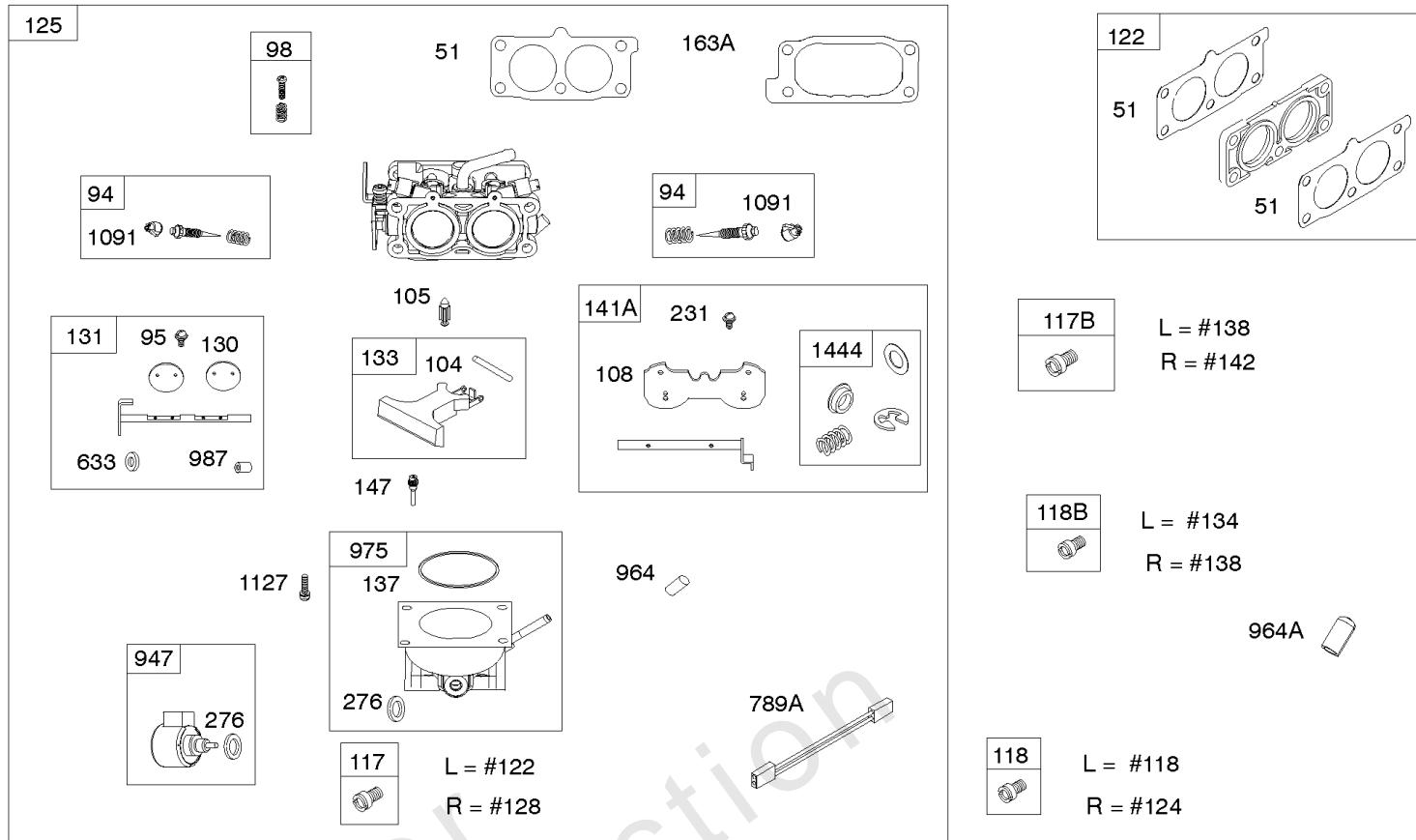


117 & 118 & 147



## Carburetors (Fuel Solenoid)

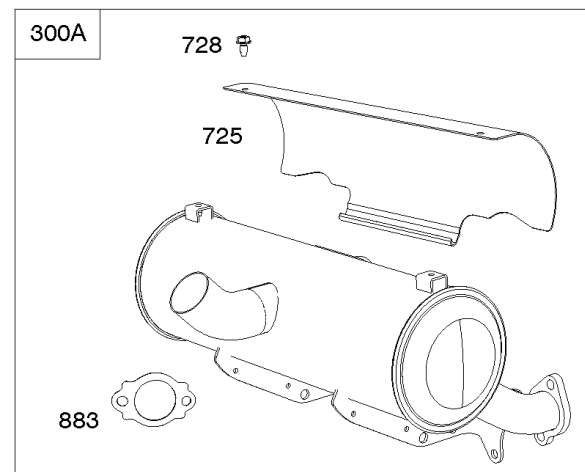
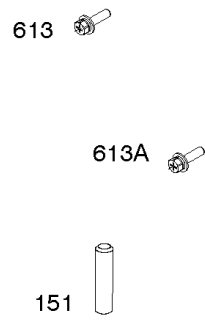
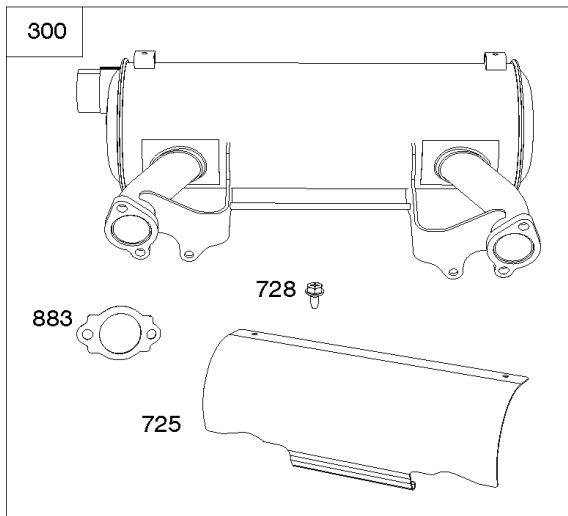
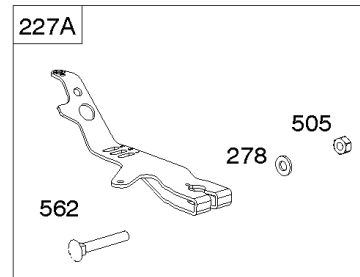
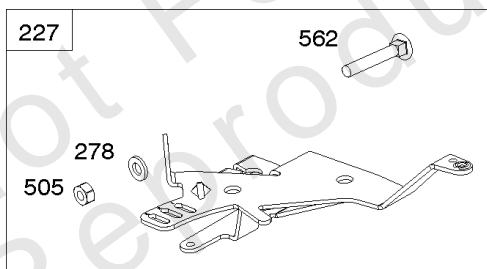
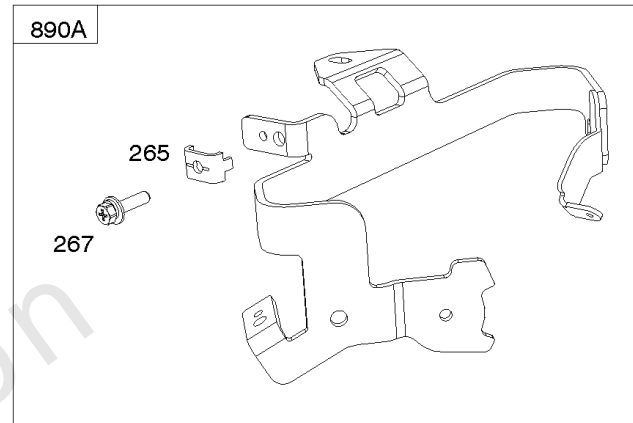
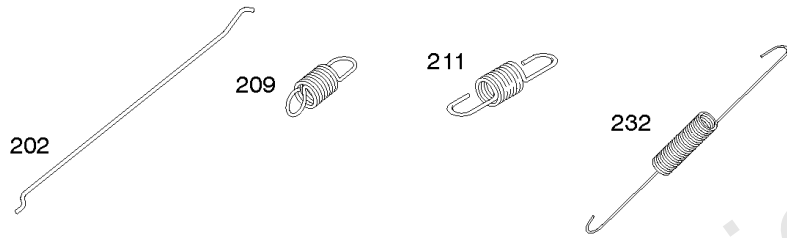
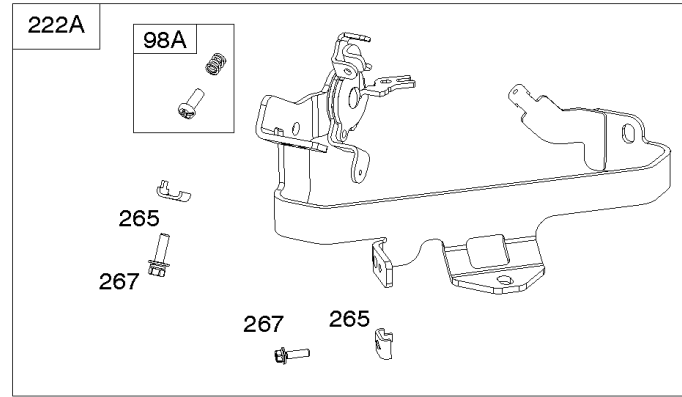
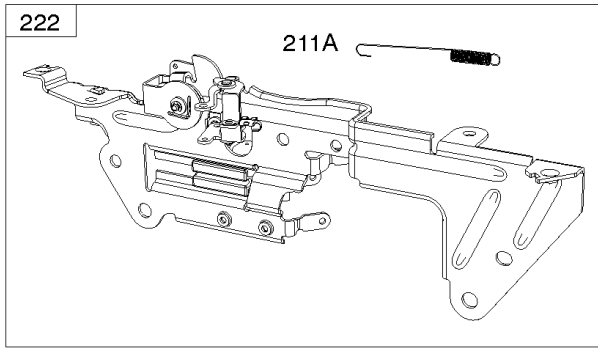
REF NO	PART NO	QTY	DESCRIPTION
51	841882		GASKET, Intake
94	843295		KIT, Idle Mixture
95	690718		SCREW -(Throttle Valve)
98	809716		KIT, Idle Speed
104	690739		PIN, Float Hinge
105	843366		VALVE, Float Needle
108	844652		VALVE, Choke
117	842150		JET, Main -(Standard) (Left Jet) (#122)
117	845867		JET, Main -(Standard) (Right Jet) (#128)
117A	842098		JET, Main -(Standard) (Right Jet) (#144)
117A	843587		JET, Main -(Standard) (Left Jet) (#140)
117B	843365		JET, Main -(Standard) (Left Jet) (#138)
117C	844649		JET, Main -(Standard) (Left and Right Jet)
117B	842103		JET, Main -(Standard) (Right Jet) (#142)
118	845869		JET, Main -(High Altitude) (Right Jet) (#124)
118	809634		JET, Main -(High Altitude) (Left Jet) (#118)
118A	842104		JET, Main -(High Altitude) (Left Jet) (#136)
118A	843587		JET, Main -(High Altitude) (Right Jet) (#140)
118B	843376		JET, Main -(High Altitude) (Left Jet) (#134)
118B	843365		JET, Main -(High Altitude) (Right Jet) (#138)
118C	842739		JET, Main -(High Altitude) (Left & Right Jet) (#154)
122	846245		SPACER, Carburetor
125A	845272		CARBURETOR -(Solenoid)
130	841913		VALVE, Throttle
131	844789		KIT, Throttle Shaft
133	809637		FLOAT, Carburetor
137	809645		GASKET, Float Bowl
141	844533		KIT, Choke Shaft
147	845868		JET, Pilot -(#60)
147	843375		JET, Pilot -(#56)
163A	807375		GASKET, Air Cleaner -(Carburetor Side)
231	690718		SCREW -(Choke Valve)
276	806476		WASHER, Sealing
633	809641		SEAL, Choke/Throttle Shaft -(Throttle Shaft)
633A	809638		SEAL, Choke/Throttle Shaft -(Choke Shaft)
633B	809644		SEAL, Choke/Throttle Shaft -(Choke Shaft)



## Carburetors (Fuel Solenoid)

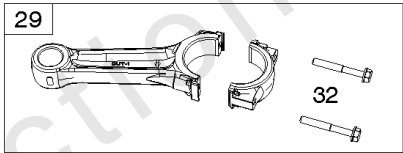
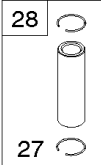
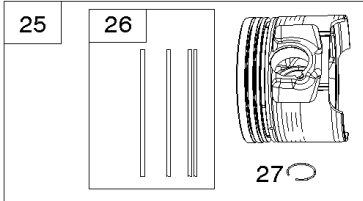
REF NO	PART NO	QTY	DESCRIPTION
947	842109		SOLENOID, Fuel
964	809640		CAP, Connector -(Carburetor)
964A	590799		CAP, Connector
975	842106		BOWL, Float
987	809639		SEAL, Choke/Throttle Shaft
1091	691515		CAP, Limiter
1127	809715		SCREW -(Float Bowl to Carburetor Body)
1444	845039		KIT, Choke Shaft Seal

Not For Reproduction

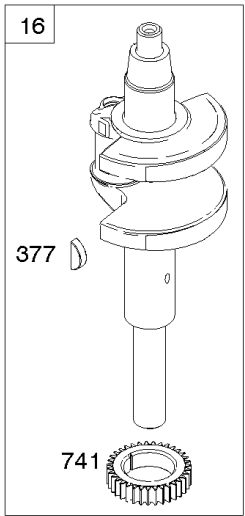
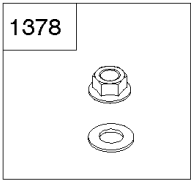


## Control Brackets, Springs/Links, Mufflers

REF NO	PART NO	QTY	DESCRIPTION
98A	843550		KIT, Idle Speed
188	692062		SCREW -(Control Bracket) (M8x18mm)
188A	807084		SCREW -(Control Bracket) (M6x14mm)
202	842533		LINK, Mechanical Governor
209	841500		SPRING, Governor -(Purple)
211	809875		SPRING, Governed Idle -(White)
222	841527		BRACKET, Control
222A	842615		BRACKET, Control
227A	842534		LEVER, Governor Control
232	843248		SPRING/LINK, Governor
265	691024		CLAMP, Casing
267	841552		SCREW -(Casing Clamp)
278	842122		WASHER -(Governor Control Lever)
505	690238		NUT -(Governor Lever)
562	843344		BOLT -(Governor Lever)
613	692062		SCREW -(Muffler) (M8x18mm)
613A	846149		SCREW -(Muffler) (M8x25mm)
725	841132		SHIELD, Heat
728	692067		SCREW -(Heat Shield) (M6x12mm)
883	809872		GASKET, Exhaust
890A	843358		BRACKET, Support



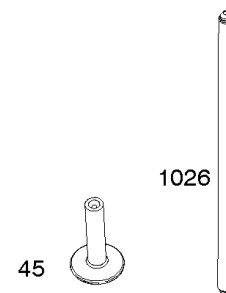
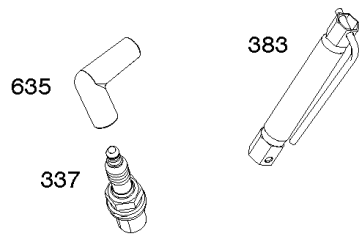
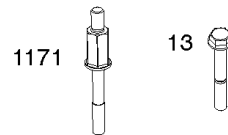
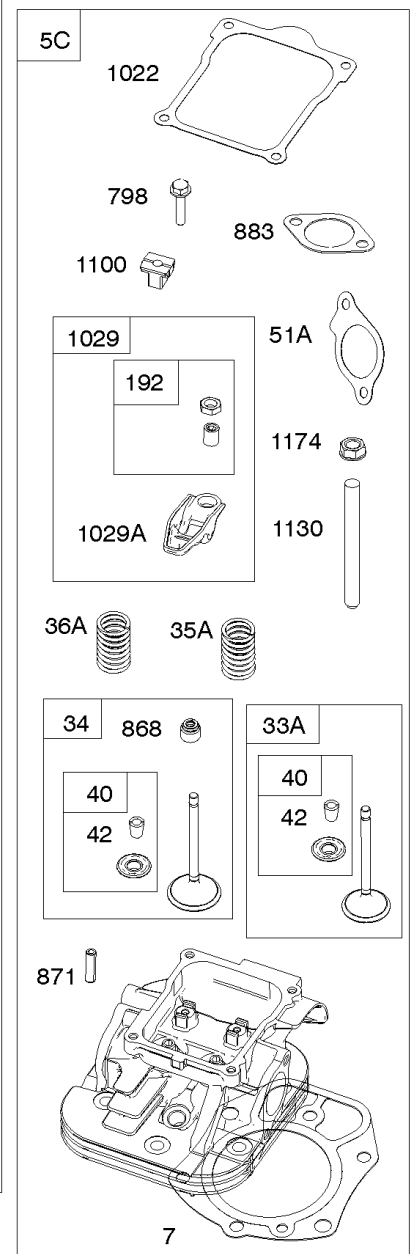
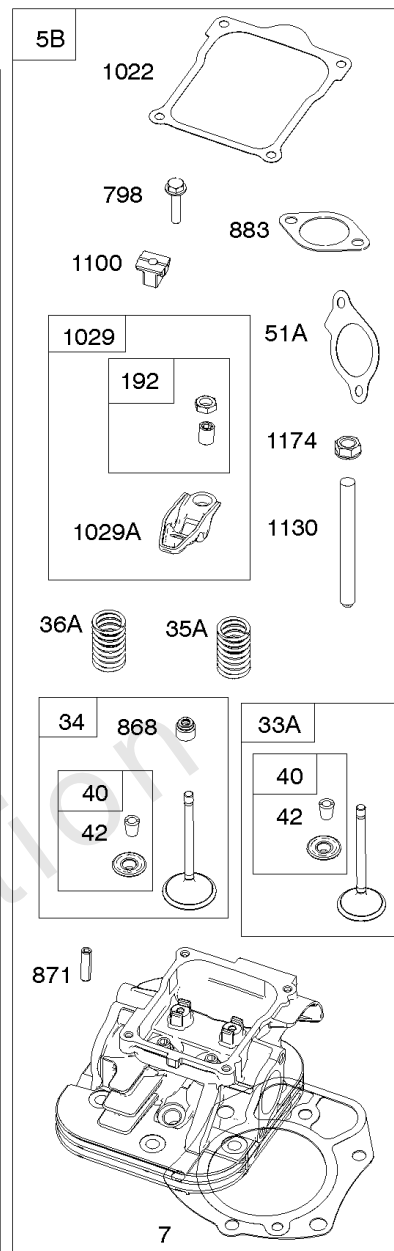
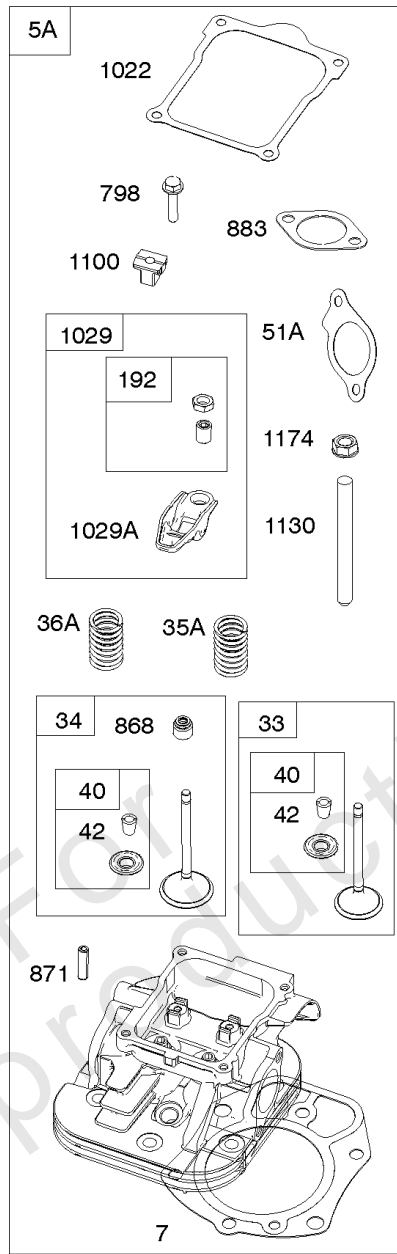
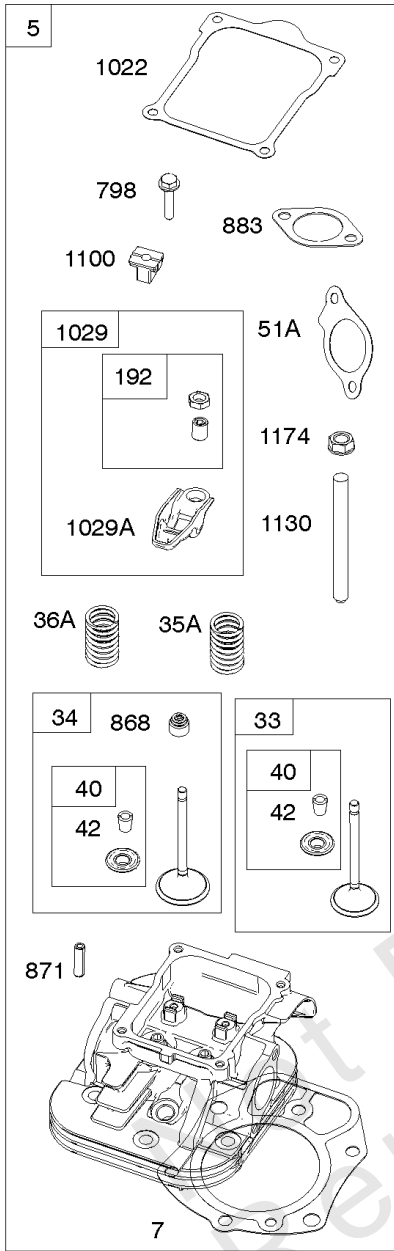
Not For  
Reproduction





## Crankshaft, Piston/Rings/Connecting Rod

REF NO	PART NO	QTY	DESCRIPTION
16	843354		CRANKSHAFT
24	222698S		KEY, Flywheel -(Aluminum) -Used Before Code Date 07122800
24	796335		KEY, Flywheel -(Steel) -Used After Code Date 07122700
25	842939		PISTON ASSEMBLY -(.020 Oversize)
25	841837		PISTON ASSEMBLY -(Standard)
26	841932		SET, Ring -(.020 Oversize)
26	809972		SET, Ring -(Standard)
27	807351		LOCK, Piston Pin
28	807361		PIN, Piston
29	841838		ROD, Connecting
32	807363		SCREW -(Connecting Rod)
377	691639		KEY, Woodruff
741	809432		GEAR, Timing
1378	844795		SET, Washer/Nut -(Flywheel)



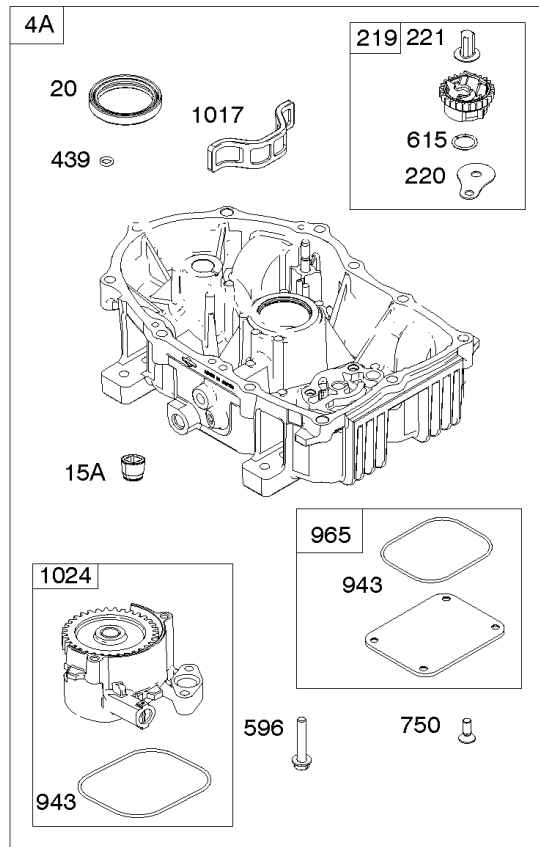
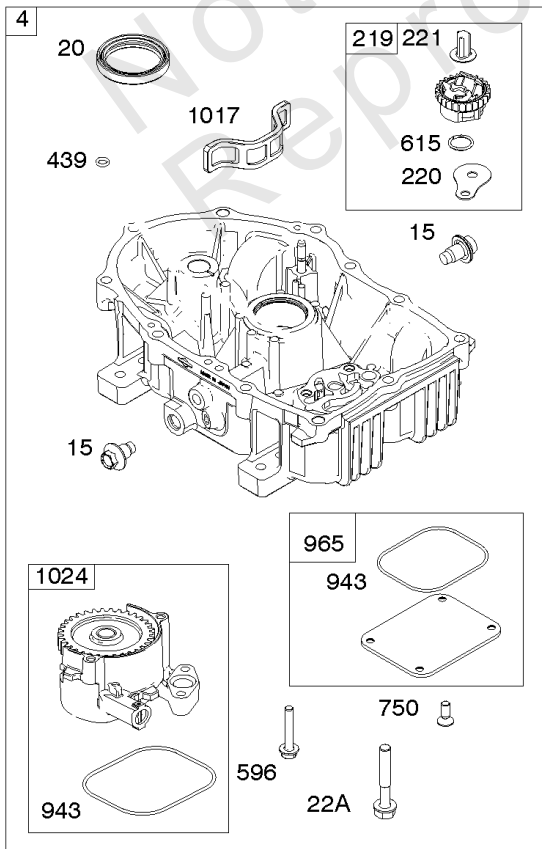
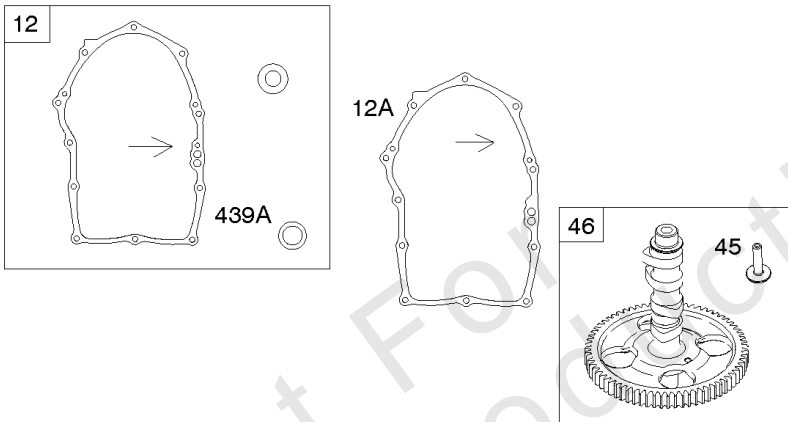
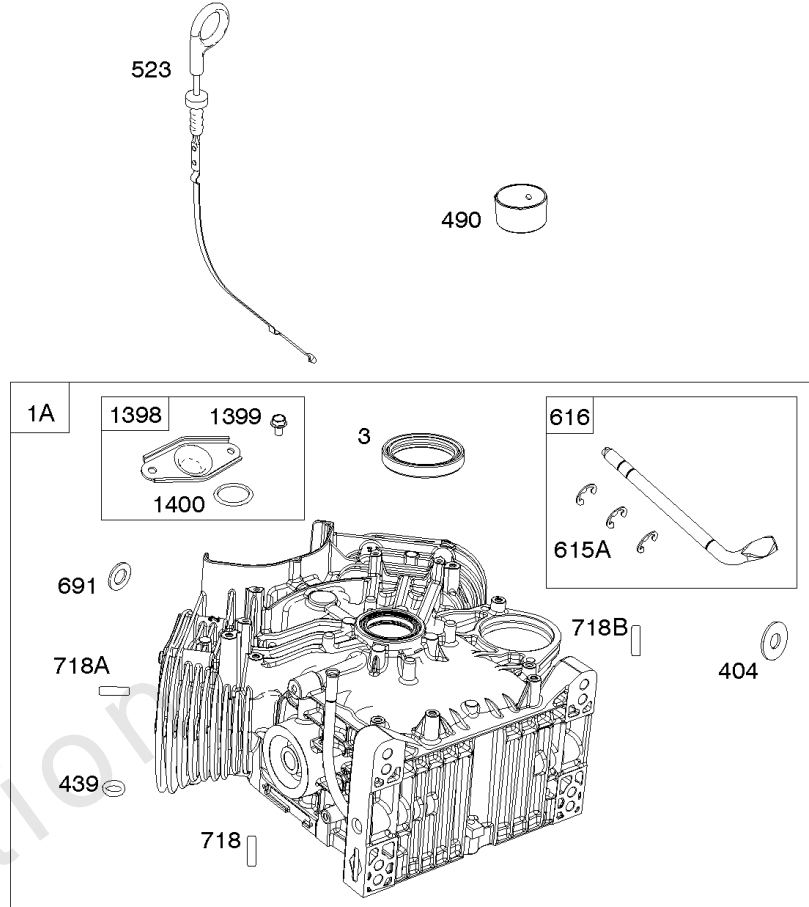
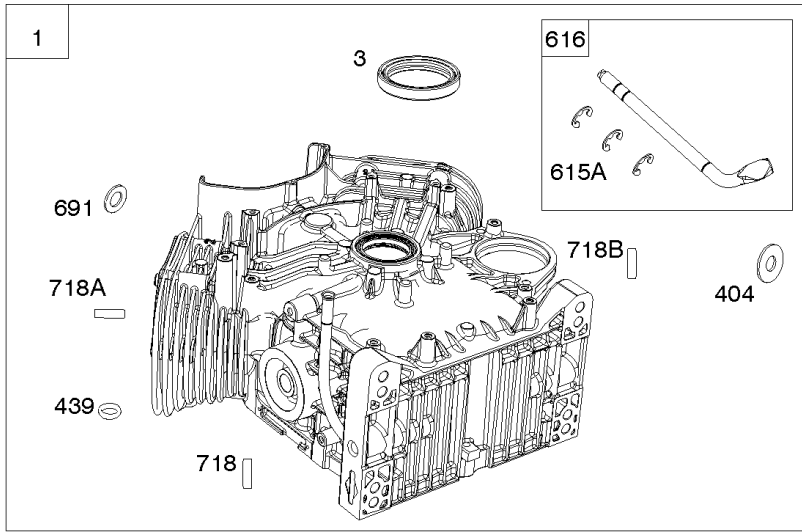
## Cylinder Heads

REF NO	PART NO	QTY	DESCRIPTION
5	845588		HEAD, Cylinder -(Cylinder 1)
5A	845590		HEAD, Cylinder -(Cylinder 2)
7	809730		GASKET, Cylinder Head
13	809784		SCREW -(Cylinder Head) (M9x70mm)
33	844787		VALVE, Exhaust
34	843730		VALVE, Intake
35	809374		SPRING, Valve -(Intake) (Intake) (White)
35A	845589		SPRING, Valve -(Intake) (Intake) (Pink)
36	809374		SPRING, Valve -(Exhaust) (Exhaust) (White)
36A	845589		SPRING, Valve -(Exhaust) (Exhaust) (Pink)
40	844788		RETAINER, Valve
42	807683		KEEPER, Valve
45	809785		TAPPET, Valve
51A	841592		GASKET, Intake
192	690083		ADJUSTER, Rocker Arm
337	491055S		PLUG, Spark
337	84007216		PLUG, SPARK -(China Only)
383	19576S		WRENCH, Spark Plug
635	692076		BOOT, Spark Plug
798	691492		SCREW -(Rocker Arm)
868	691963		SEAL, Valve
871	692057		BUSHING, Valve Guide
883	809872		GASKET, Exhaust
1022	809732		GASKET, Rocker Cover
1026	809783		ROD, Push -(Intake and Exhaust)
1029	690972		ARM, Rocker
1029A	807323		ARM, Rocker
1100	791959		PIVOT, Rocker Arm
1130	841590		STUD -(Intake Manifold) -Used Before Code Date 10093000
1171	844813		STUD -(Rocker Cover)
1174	842067		NUT -(Intake Manifold) -Used Before Code Date 10093000

1036

1319

1330



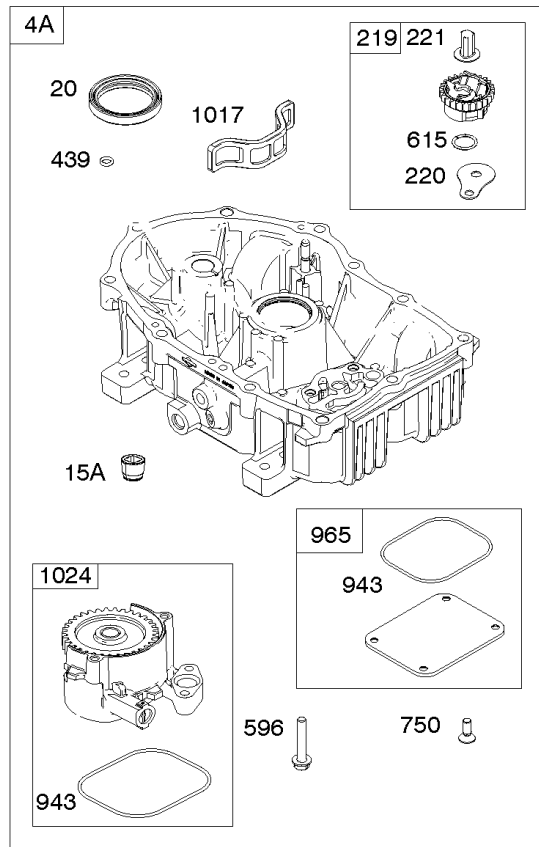
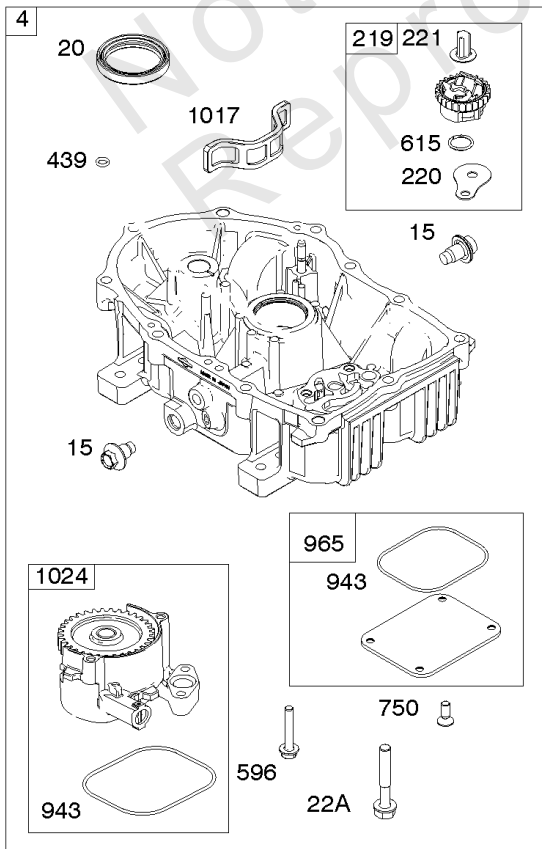
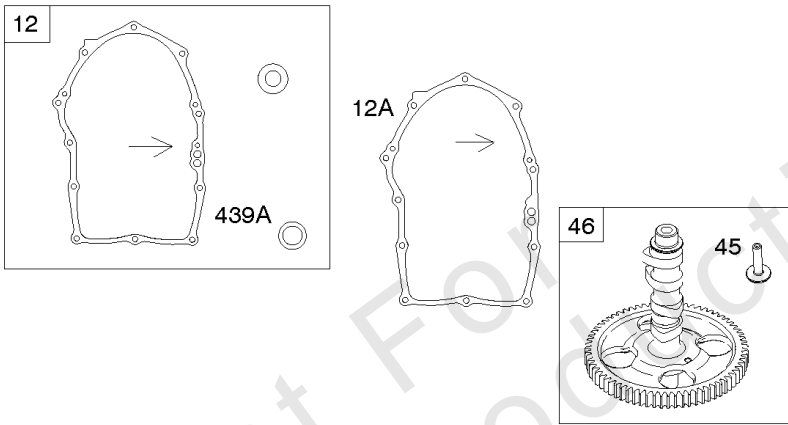
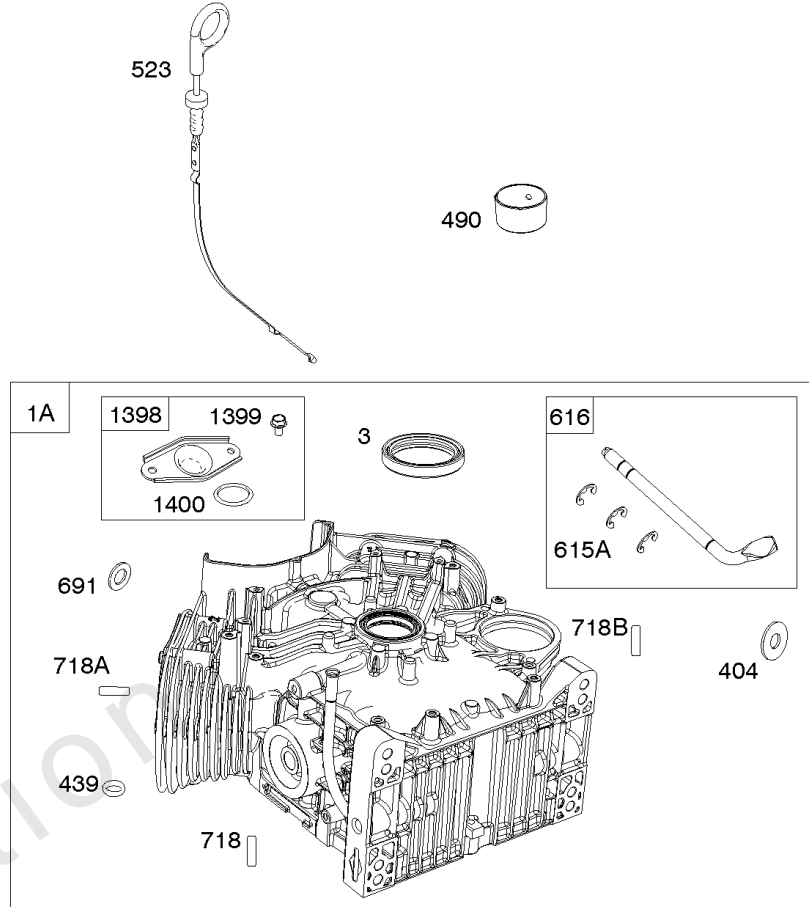
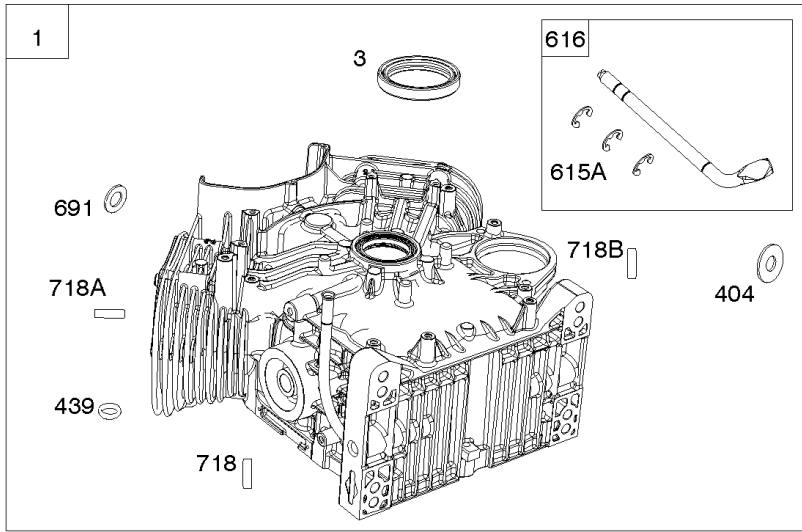
## Cylinders, Sumps, Camshaft

REF NO	PART NO	QTY	DESCRIPTION
1	846835		CYLINDER ASSEMBLY -Used After Code Date 14022300
1A	845799		CYLINDER ASSEMBLY
3	841596		SEAL, Oil -(Magneto Side)
4	845176		SUMP, Engine
12	846037		GASKET, Crankcase -Used After Code Date 13072000
12A	843969		GASKET, Crankcase -Used Before Code Date 13072100
15	807392		PLUG, Oil Drain
20	841596		SEAL, Oil -(PTO Side)
22	807362		SCREW -(Crankcase Cover/Sump) (M8x50mm)
22A	690676		SCREW -(Crankcase Cover/Sump) (M8x63mm)
45	809785		TAPPET, Valve
46	809879		CAMSHAFT
219	809426		GEAR, Governor
220	841608		WASHER -(Governor Gear)
221	841026		CUP, Governor
239	841281		SWITCH, Oil Pressure
404	809436		WASHER -(Governor Crank)
415	794903		PLUG
439	692154		O-RING, Oil Gallery -(Crankcase Cover/Sump or Cylinder Assembly)
439A	846027		O-RING, Oil Gallery -(Crankcase Cover/Sump or Cylinder Assembly)
490	843433		BEARING, Magneto Side
523	842542		DIPSTICK
596	807385		SCREW -(Oil Pump)
615	698290		RETAINER, Governor Shaft -(Governor Gear)
615A	809533		RETAINER, Governor Shaft -(Governor Crank)
616	844180		CRANK, Governor
691	809287		SEAL, Governor Shaft
718	690959		PIN, Locating -(Cylinder)
718A	809508		PIN, Locating -(Cylinder Head)
718B	845925		PIN, Locating -(Cylinder) (Spiral)
750	842537		SCREW -(Oil Pump Cover)
943	842538		SEAL, O-Ring -(Oil Pump Cover)
965	842536		COVER, Oil Pump
1017	842535		SCREEN, Oil Pump
1024	846026		PUMP, Oil
1036	-----		Label-Emissions -(Available From A Briggs & Stratton Authorized Dealer)
1319	794467		LABEL, Warning

1036

1319

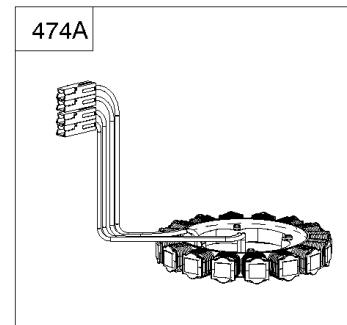
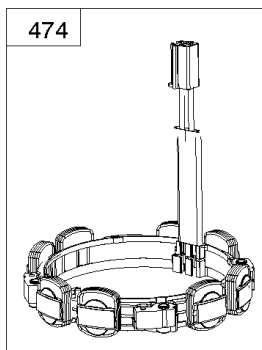
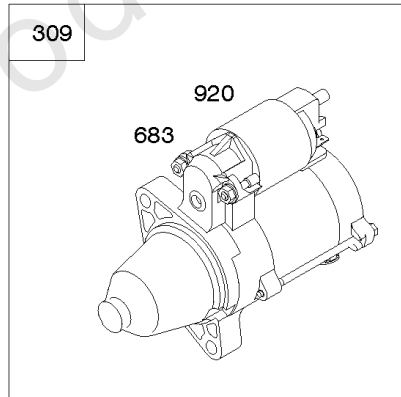
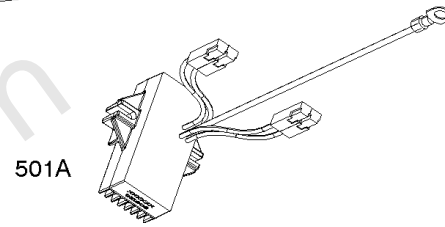
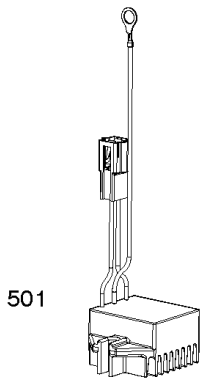
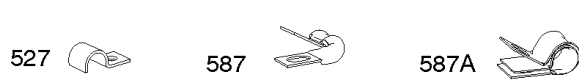
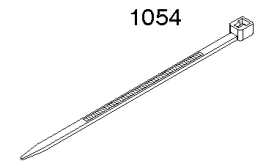
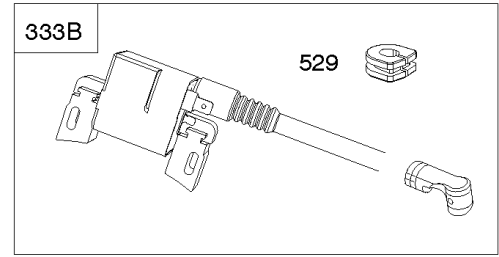
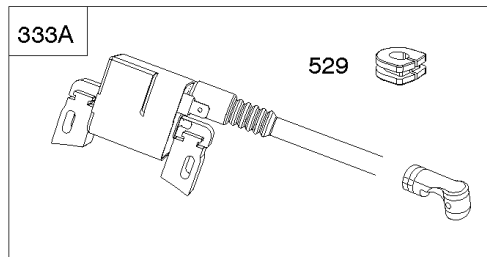
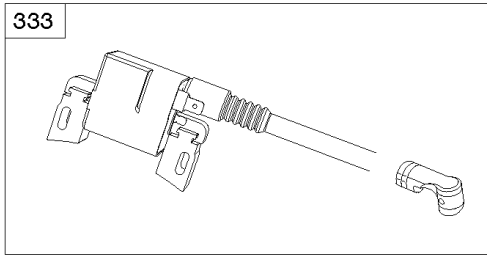
1330



## ***Cylinders, Sumps, Camshaft***

<b>REF NO</b>	<b>PART NO</b>	<b>QTY</b>	<b>DESCRIPTION</b>
1330	272144		MANUAL, Repair
1398	842191		COVER, Fuel Pump
1399	690932		SCREW -(Fuel Pump Cover)
1400	809894		SEAL, O-Ring -(Fuel Pump Cover)

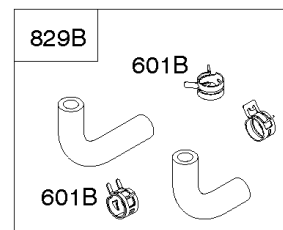
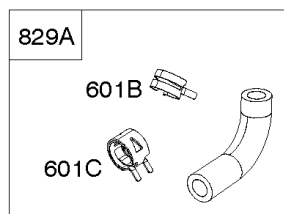
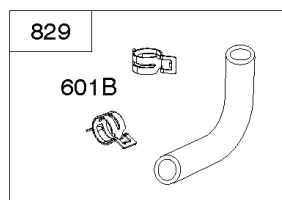
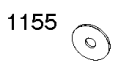
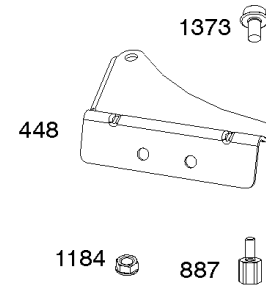
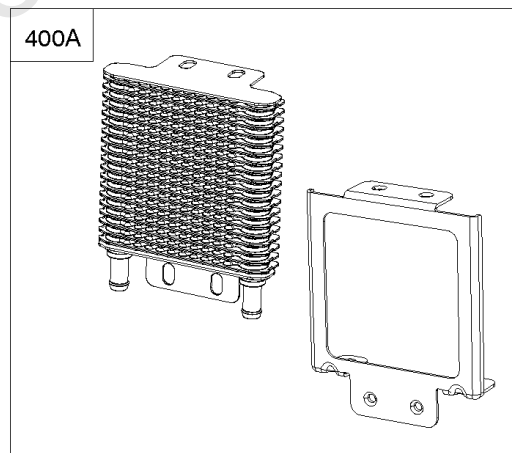
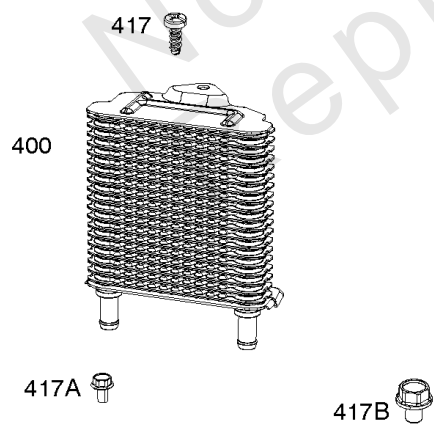
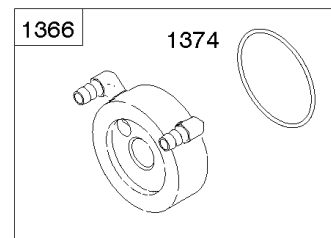
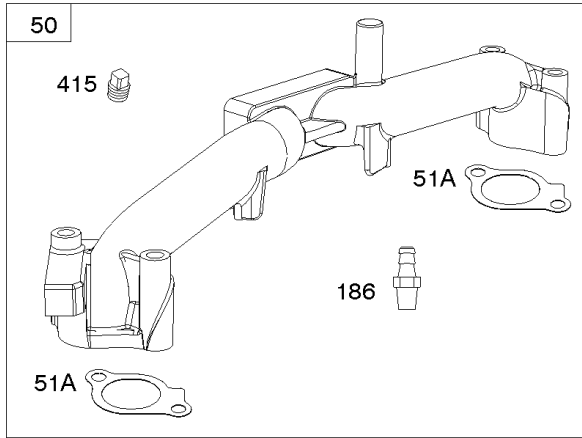
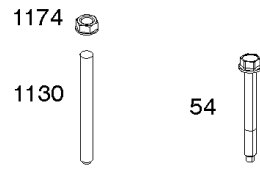
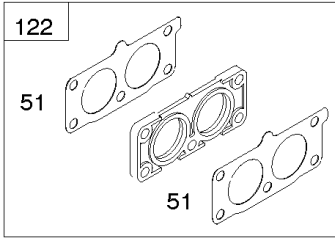
Not For Reproduction





## Electric Starter, Regulator, Alternator, Armatures

REF NO	PART NO	QTY	DESCRIPTION
309	845761		MOTOR, Starter
333	845126		ARMATURE, Magneto -(Cylinders 1 and 2)
334	692066		SCREW -(Magneto Armature) (M4x23mm)
344	841233		SCREW -(Cable Clamp) (M6x10mm)
474	846882		ALTERNATOR -(20 Amp)
474A	841178		ALTERNATOR -(20/50 Amp)
480	841233		SCREW -(Tube Clamp) (M6x10mm)
501	847385		REGULATOR -(20 Amp)
501A	841170		REGULATOR -(20/50 Amp)
526	690717		SCREW -(Regulator) (M6x30mm)
526	691547		SCREW -(Regulator) (M6x28mm)
527	690423		CLAMP, Tube
529	690744		GROMMET -(Magneto Armature Wires)
587	846866		CLAMP, Cable
587A	807116		CLAMP, Tube
635	692076		BOOT, Spark Plug
683	845758		NUT -(Starter Solenoid)
697	690711		SCREW -(Starter Motor) (Drive Cap)
920	846737		SOLENOID, Starter
1054	280275		TIE, Cable
1119	691552		SCREW -(Alternator) (M4x30mm)



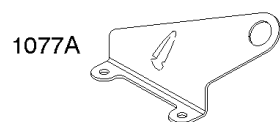
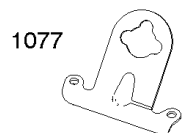
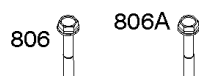
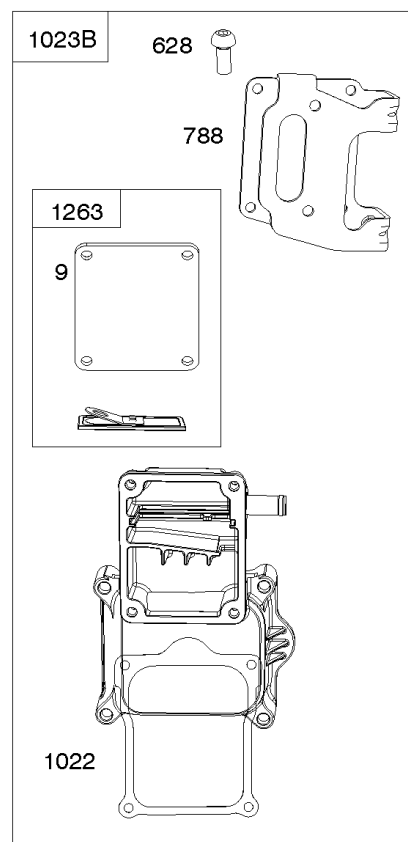
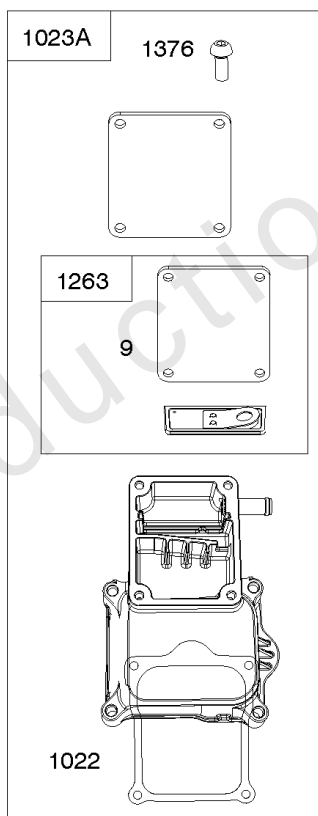
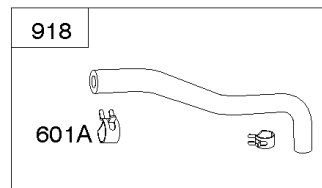
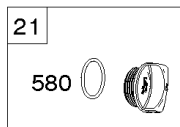
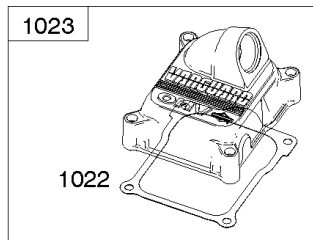
## Intake Manifold, Oil Cooler

REF NO	PART NO	QTY	DESCRIPTION
50	844341		MANIFOLD, Intake
51	841882		GASKET, Intake
51A	841592		GASKET, Intake
54	844656		SCREW -(Intake Manifold) (M8x69mm) -Used After Code Date 10092900
122	846245		SPACER, Carburetor
186	844568		CONNECTOR, Hose -(Intake Manifold)
400	846249		COOLER, Oil -Used After Code Date 14022800
400A	846489		COOLER, Oil -Used Before Code Date 14030100
415	794903		PLUG
417	846250		SCREW -(Oil Cooler)
417A	841233		SCREW -(Oil Cooler) (M6x10mm) -Used After Code Date 13072600
417B	843345		SCREW -(Oil Cooler) (M6x8mm) -Used Before Code Date 13072700
448	845593		BRACKET, Oil Cooler
601B	841597		CLAMP, Hose -(Oil Cooler Hose)
601C	845209		CLAMP, Hose -(Oil Cooler Hose)
829	846248		HOSE, Oil Cooler -Used After Code Date 14022800
829A	846247		HOSE, Oil Cooler -Used After Code Date 14022800
829B	846155		HOSE, Oil Cooler -Used Before Code Date 14030100
887	845594		STUD -(Support Bracket)
1013	841602		NIPPLE, Oil Filter
1027	842921		FILTER, Oil
1130	841590		STUD -(Intake Manifold) -Used Before Code Date 10093000
1155	806647		WASHER -(Oil Cooler) -Used Before Code Date 13072700
1174	842067		NUT -(Intake Manifold) -Used Before Code Date 10093000
1184	690939		NUT -(Support Bracket)
1366	841510		DIVERTER, Oil Cooler
1373	841233		SCREW -(Oil Cooler Bracket) (M6x10mm)
1374	841506		SEAL, O-Ring -(Oil Cooler Diverter)

## Replacement Engine - US & Canada

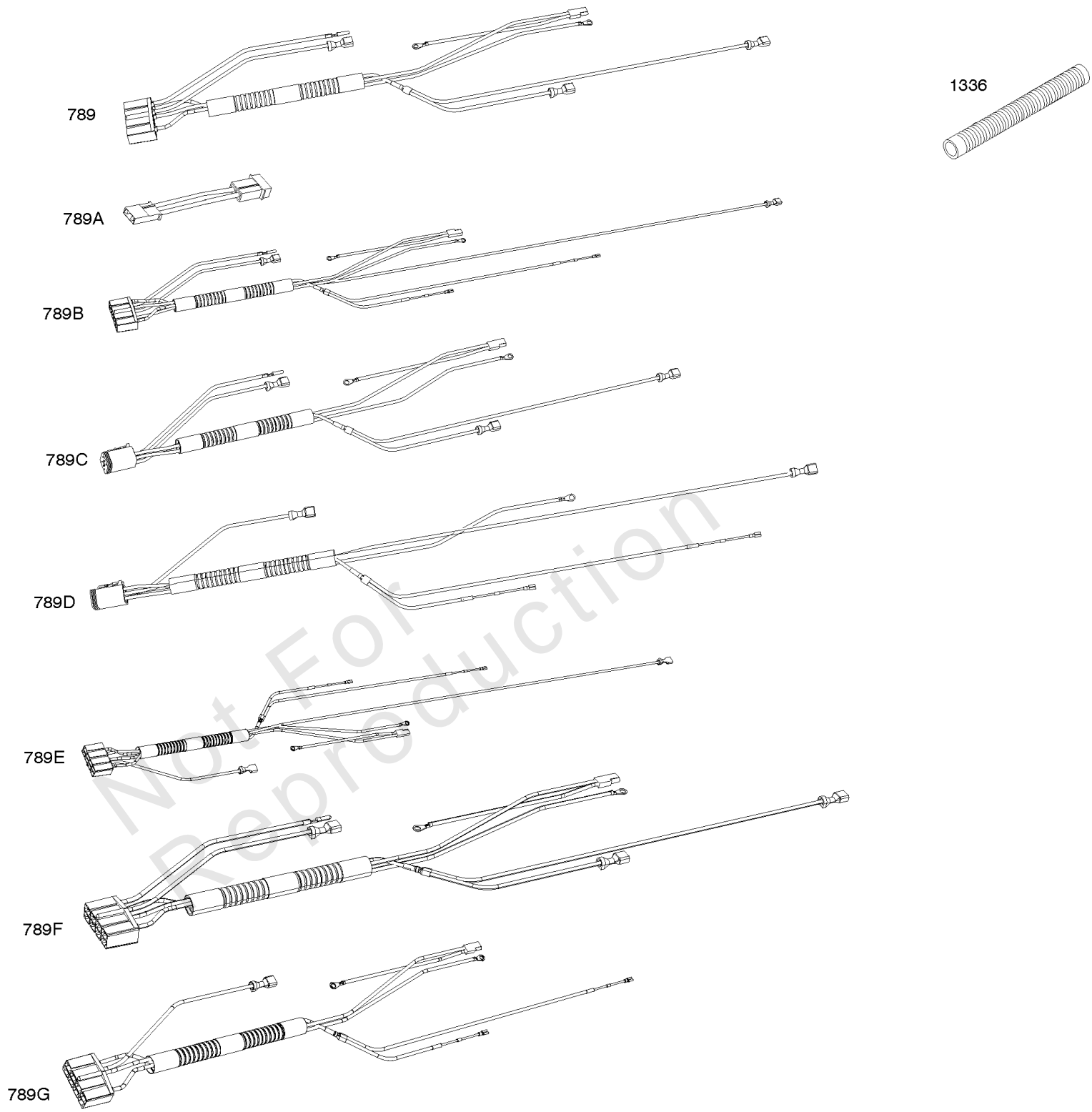
REF NO	PART NO	QTY	DESCRIPTION
-----			No engine replacement. Repair engine with individual parts.
	591322	1	Replacement Short Block
-----			Top No-Load Speed: 3600 -Trim: J1

Not For Reproduction



## Rocker Covers

REF NO	PART NO	QTY	DESCRIPTION
9	842545		GASKET, Breather
21	843464		CAP, Oil Fill
580	809894		SEAL, O-Ring -(Oil Fill Cap)
601A	691038		CLAMP, Hose -(Black)
628	842547		SCREW -(Fuel Pump Bracket)
788	844530		BRACKET, Fuel Pump
806	807362		SCREW -(Lifting Bracket) (M8x50mm)
806A	807357		SCREW -(Lifting Bracket) (M6x40mm)
914	807357		SCREW -(Rocker Cover) (M6x40mm)
918	844526		HOSE, Vacuum
1022	809732		GASKET, Rocker Cover
1023	842540		COVER, Rocker -(Rocker Cover #2)
1023A	842543		COVER, Rocker -(Rocker Cover #1)
1023B	844529		COVER, Rocker -(Rocker Cover #1)
1077	809729		BRACKET, Lifting
1077A	842616		BRACKET, Lifting
1171	844813		STUD -(Rocker Cover)
1263	842544		REED, Breather
1376	842547		SCREW -(Breather Reed Cover)
1405	690941		NUT -(Lifting Bracket)



## Wiring Harness's

REF NO	PART NO	QTY	DESCRIPTION
789B	809906		HARNESS, Wiring -Used Before Code Date 15110200
1336	841015		SHIELD, Wire Protective

Not For Reproduction





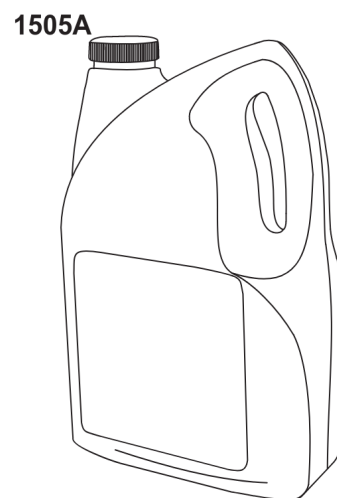
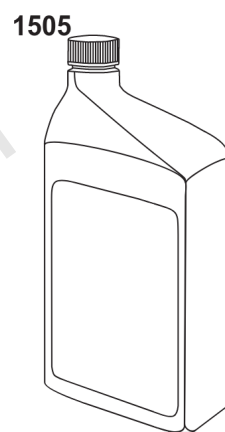
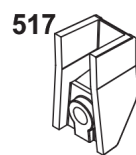
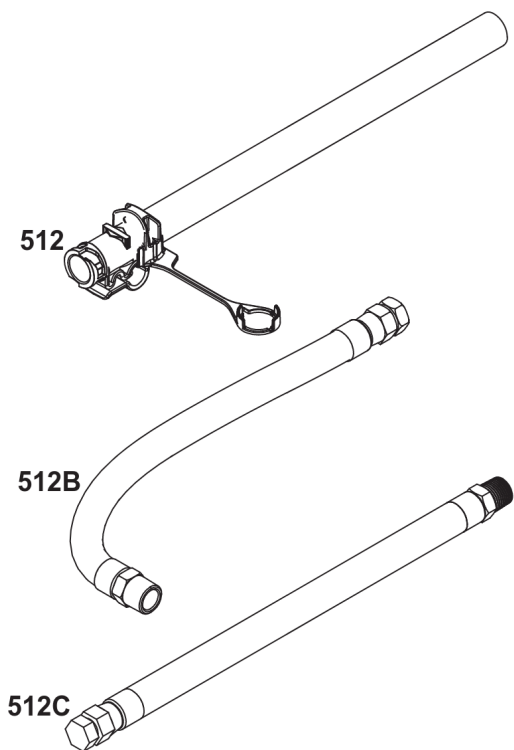
# Model 54-61 Engine Accessories Catalog

Not For  
Reproduction



## Maintenance Kits

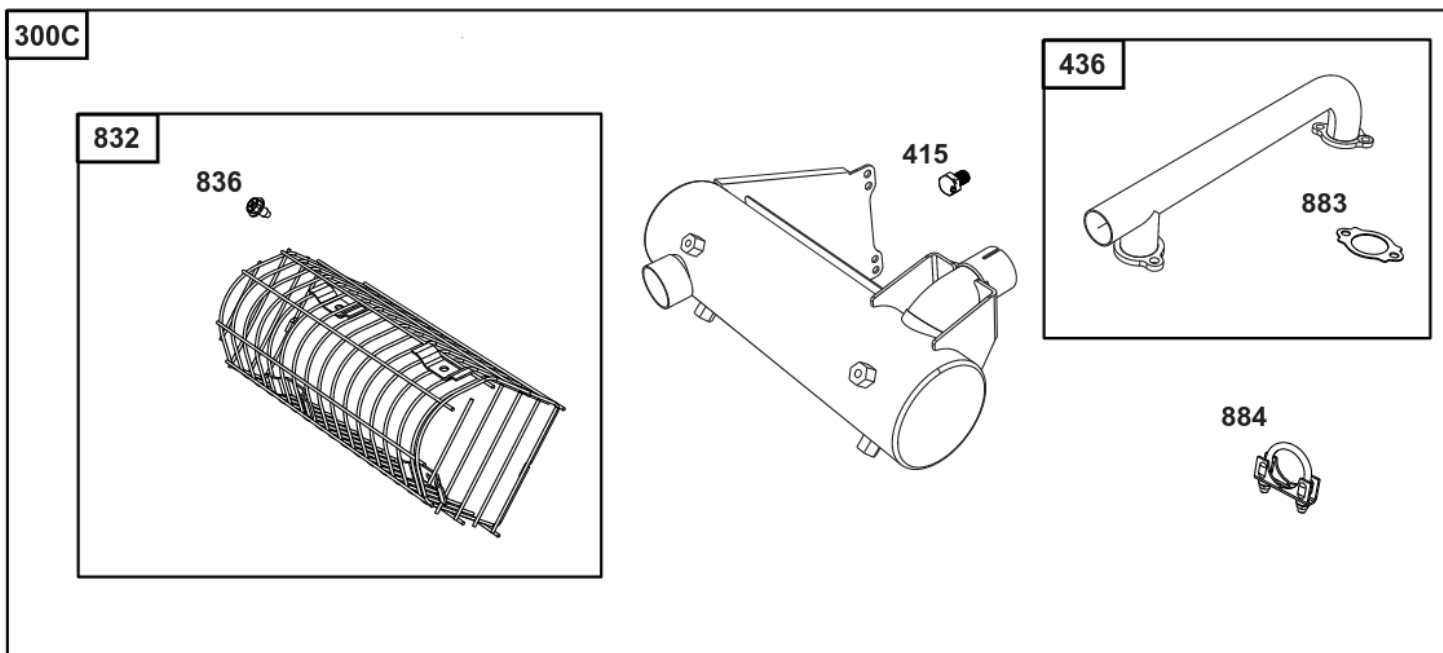
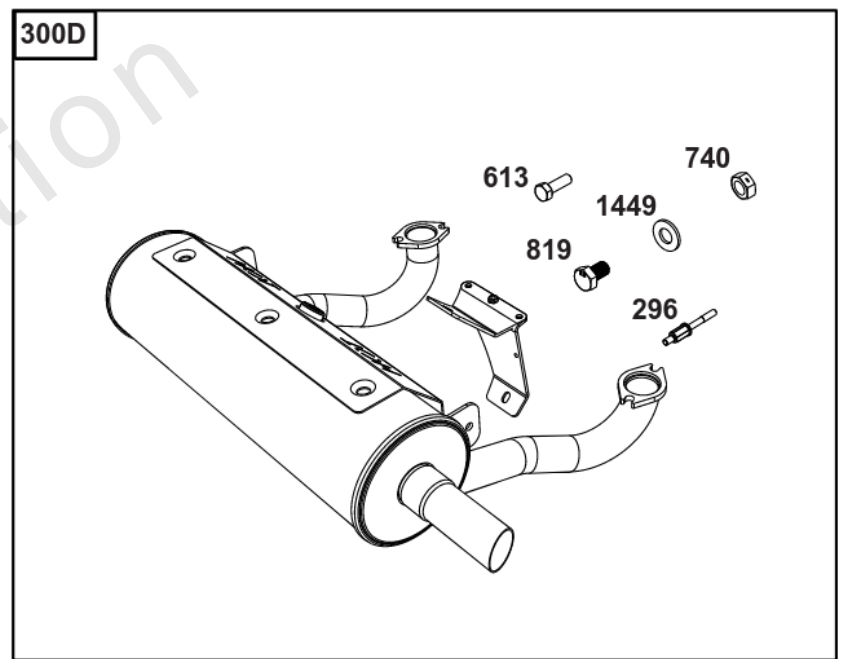
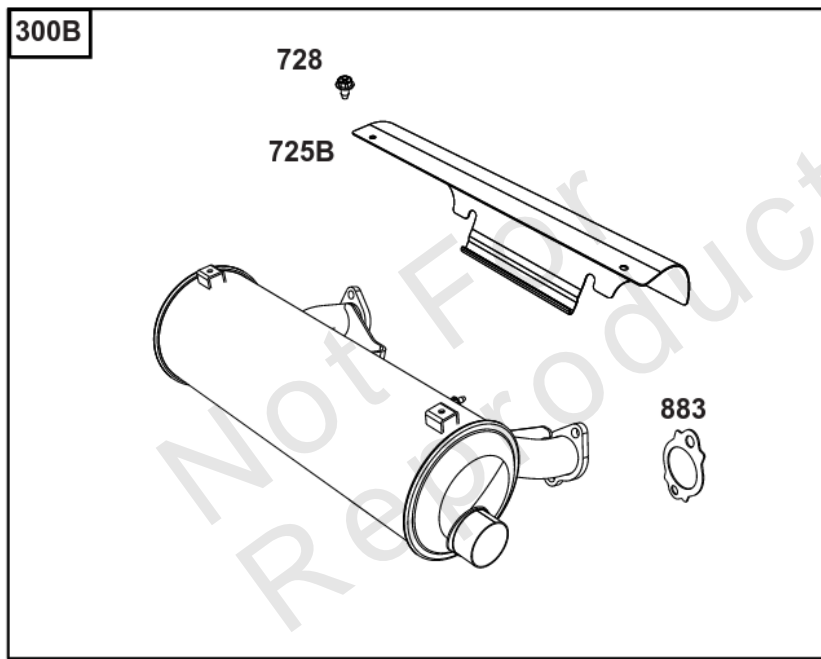
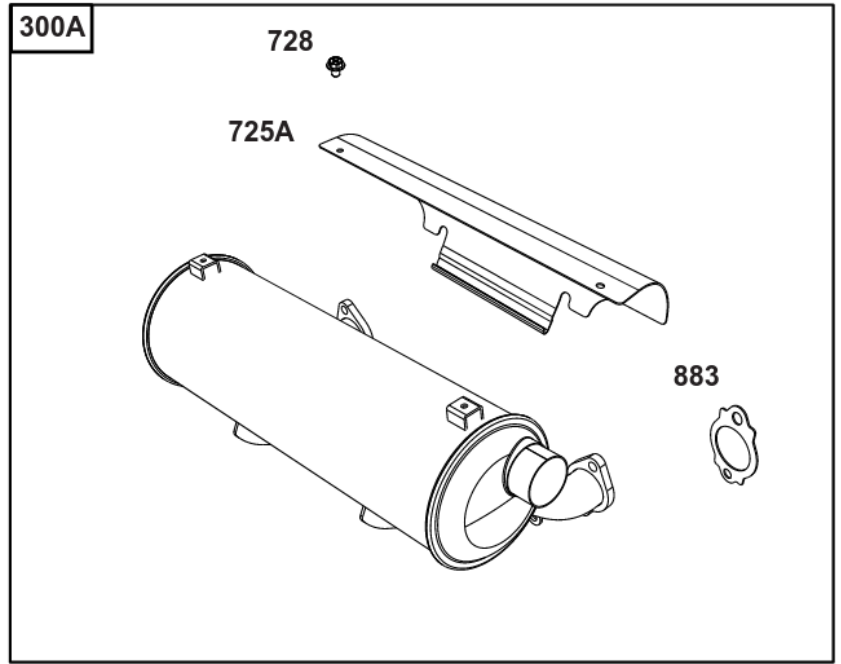
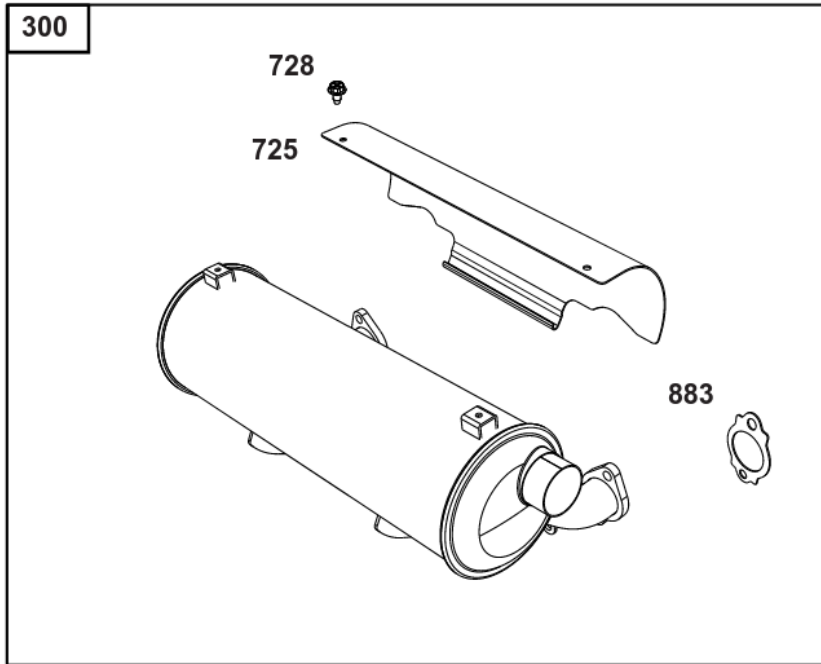
REF NO	PART NO	QTY	DESCRIPTION
9000	84002318		KIT, Maintenance -(Oil Guard™ Engines)
9000A	84002315		KIT, Maintenance -(Non-Oil Guard™ Engines)
9000B	84004936		KIT, Maintenance -(Non-Oil Guard™ Engines) (20 - 40 HP)
240	845125	1	FILTER, Fuel
337	491055S	2	PLUG, Spark
445	841497	1	FILTER, A/C Cartridge -"Professional / PXi" & "Commercial / CXi".
445A	692519	1	FILTER, A/C Cartridge -"Professional / PXi" & "Commercial / CXi".
967	692520	1	FILTER, Pre Cleaner
1027	595930	1	FILTER, Oil -(Oil Guard™)
1027A	842921	1	FILTER, Oil -(Vanguard®)
1505	100170		OIL-5QT VANGUARD (CASE) -(5 qt Bottle)
1505A	100169		OIL-1QT VANGUARD (CASE) -(1 qt Bottle)



Not For  
Reproduction

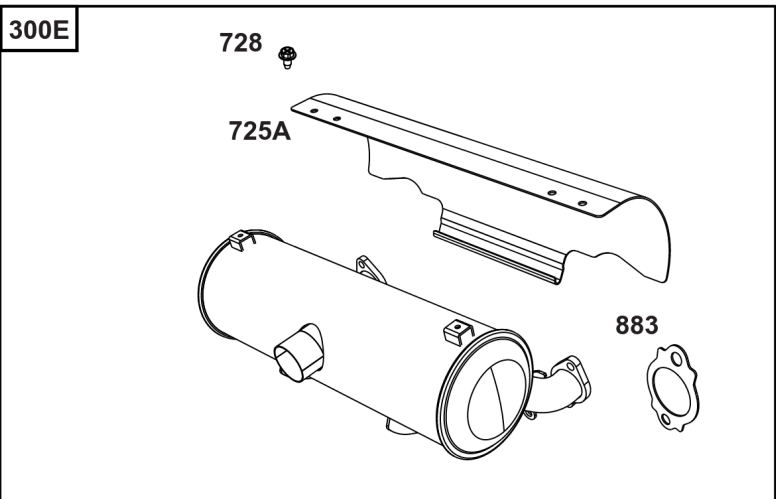
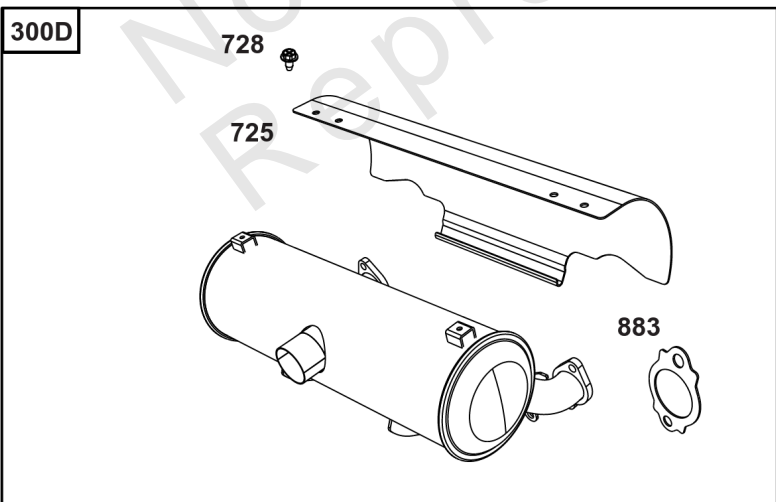
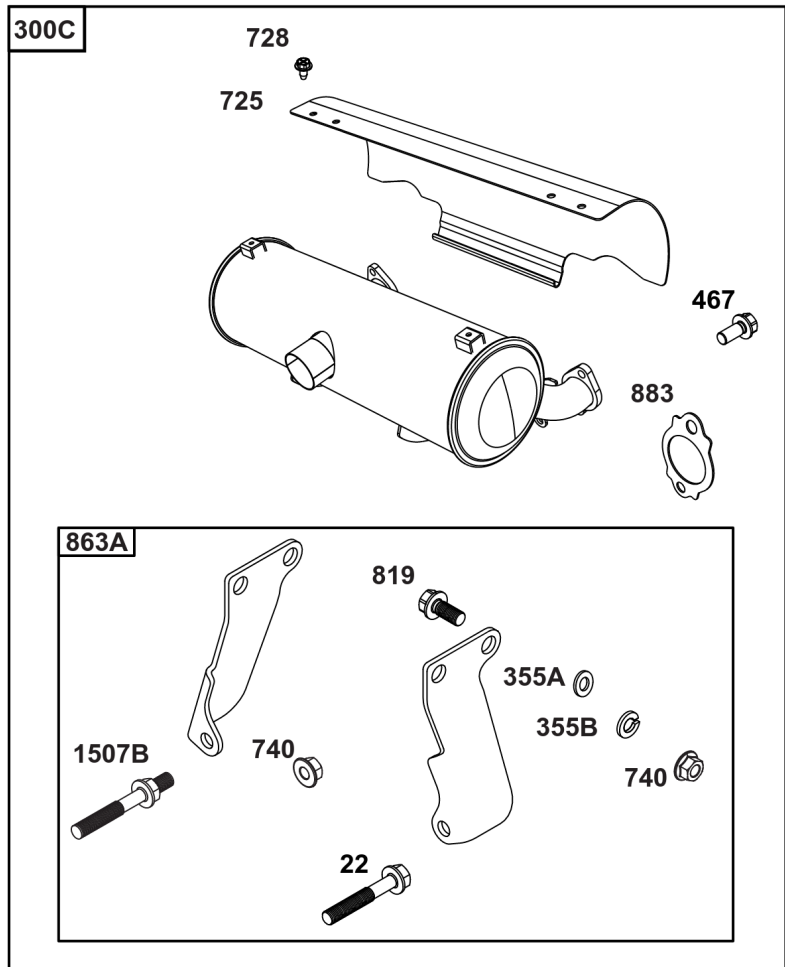
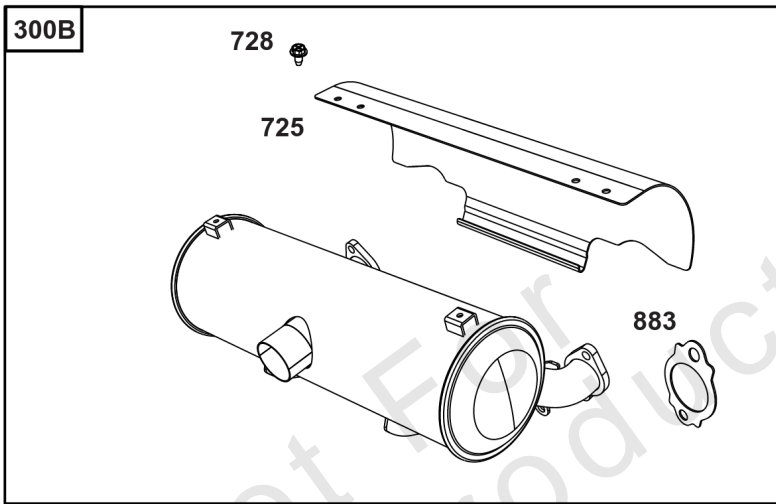
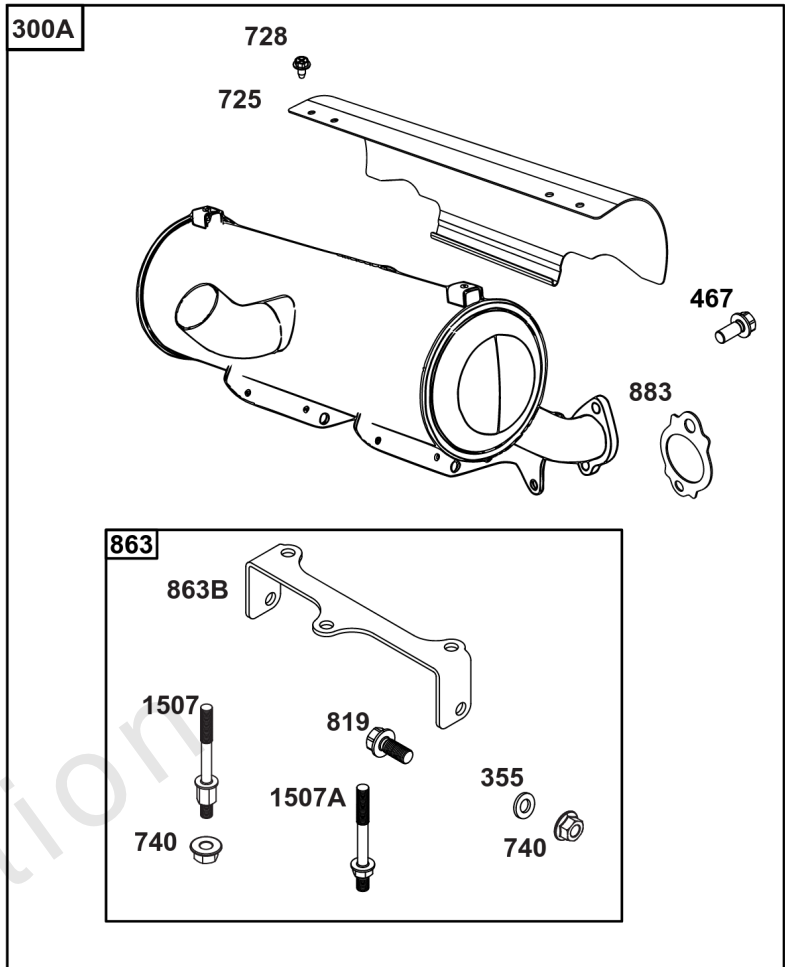
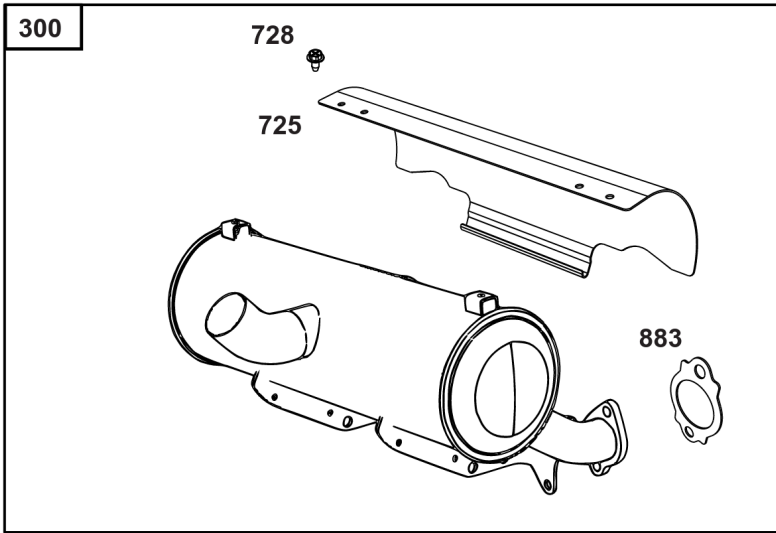
## Lubrication

REF NO	PART NO	QTY	DESCRIPTION
186	796532	1	CONNECTOR, Hose -(Threaded Engine Block Connector for EZ-Oil Drain Hose)(Order hose separate)
239	690233	1	SWITCH, Oil Pressure -(2-4 PSI Normally-Closed Switch)
239A	491657S	1	SWITCH, Oil Pressure -(3-5 PSI Normally-Closed Switch)
239B	841281	1	SWITCH, Oil Pressure -(7-10 PSI Normally-Closed Switch)
239C	694115	1	SWITCH, Oil Pressure -(9-13 PSI Normally-Closed Switch)
239D	697049	1	SWITCH, Oil Pressure -(3-6 PSI Normally-Open Switch)
460	1761386YP	1	CONNECTOR, Filter Adapter -(Oil Drain Valve) (Fitting M14, 90 Degree 9/16 JIC)
460A	5100366SM	1	METRIC ADAPTER, M14-1 -(Threaded engine block adapter M14 to 3/8 for EZ-Oil Drain connector) (order 796532 separate)
512	594200	1	HOSE, Oil Drain -(EZ-Oil Drain Hose, 10.5") (Order threaded engine block connector separate)
512	593635	1	HOSE, Oil Drain -(EZ-Oil Drain Hose, 13.75") (Order threaded engine block connector separate)
512B	1723165SM	1	HOSE, Oil Drain, 10-1/2" Long, 3/8-18 Fittings -(10.5")
512C	5048681SM	1	HOSE, OIL DRAIN -(12.5")
517	593633	1	RETAINER, Oil Drain
1346	844802	1	VALVE, Oil Drain Shut Off
1346A	492031	1	VALVE, Oil Drain Shut Off
1505	100169		OIL-1QT VANGUARD (CASE) -(1 qt. Bottle)
1505A	100170		OIL-5QT VANGUARD (CASE) -(5 qt. Bottle)



## Oil Filter Side Outlet Mufflers

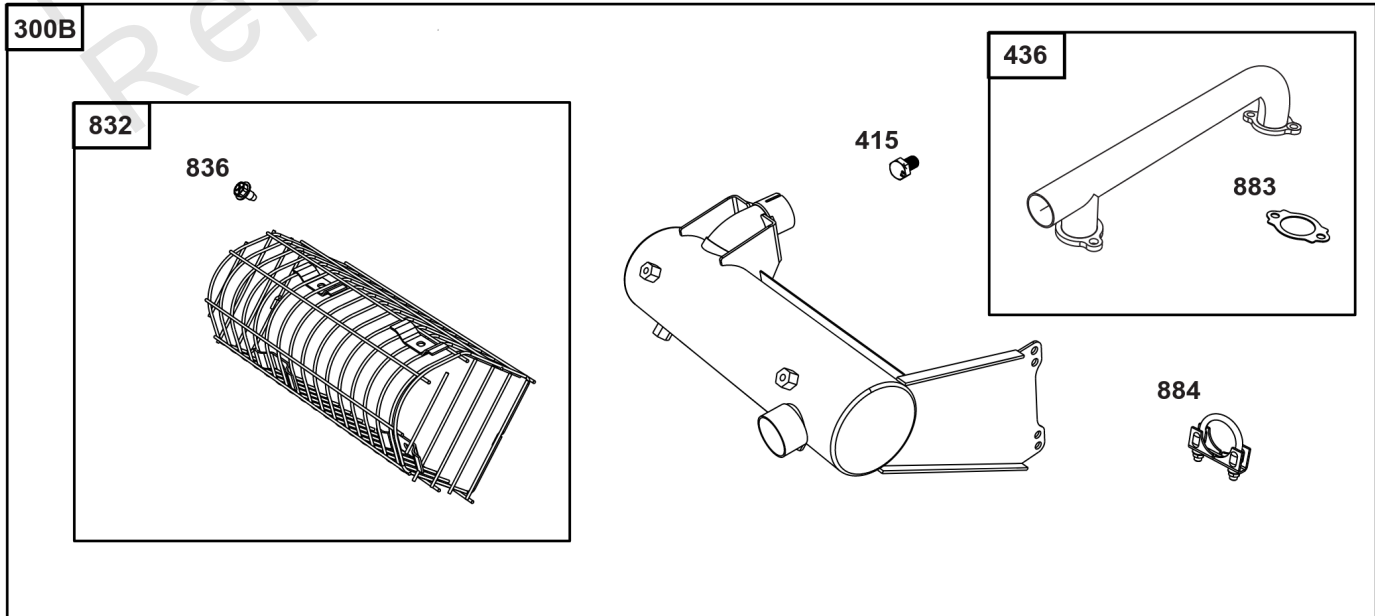
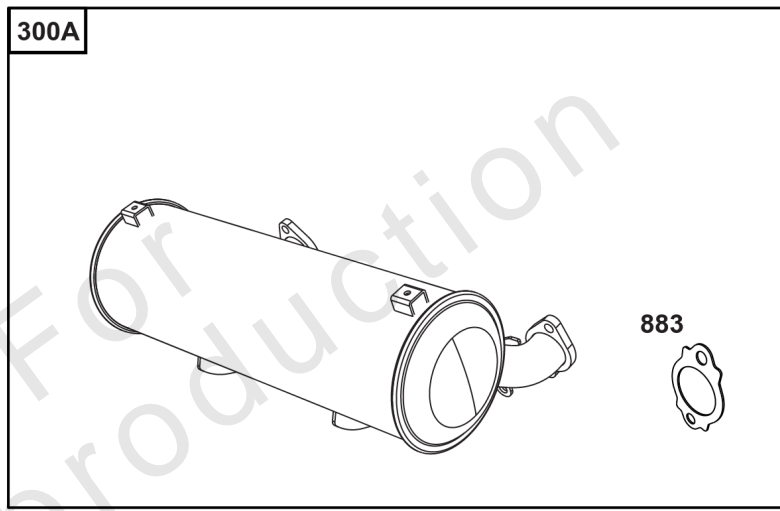
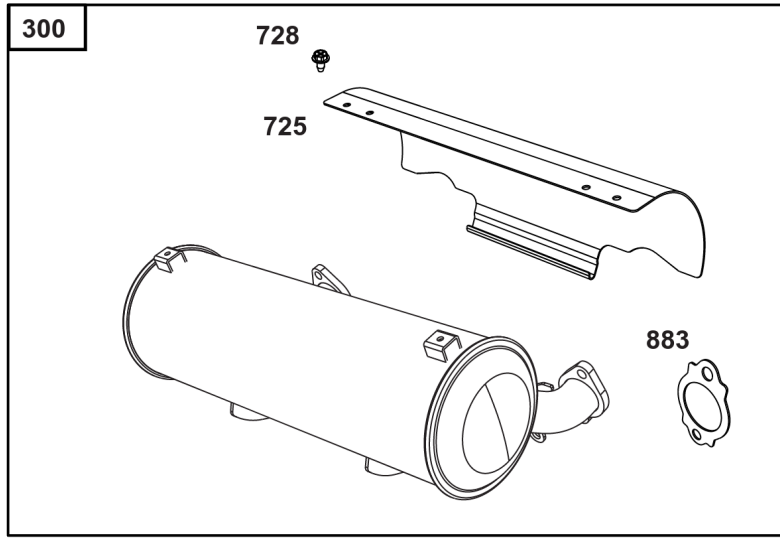
REF NO	PART NO	QTY	DESCRIPTION
296	844813	4	STUD -(Muffler)
300	846819	1	MUFFLER -(High Mount) (Oil Filter Side Outlet) (EFI)
300A	846246	1	MUFFLER -(Mid Mount) (Oil Filter Side Outlet)
300B	847486	1	MUFFLER -(Mid Mount) (Oil Filter Side Outlet) (EFI)
300C	847278	1	MUFFLER -(Side Mount) (Oil Filter Side Outlet) (EFI)
300D	84007299	1	MUFFLER -(Vertical Shaft)(Oil Filter Side Outlet)
415	596859	1	PLUG
436	841681	1	MANIFOLD, Exhaust
613	596859		PLUG -(Muffler)
725	847229	1	SHIELD, Heat
725A	844338	1	SHIELD, Heat
725B	847487	1	SHIELD, Heat
728	692067	2	SCREW -(Heat Shield)
740	703164	2	NUT -Muffler Bracket
819	5025011X8SM	2	CAPSCREW, Hex Head, 5/16-18 X 1 -(Muffler Bracket)
832	841682	1	GUARD, Muffler
836	841233	4	SCREW -(Muffler Guard)
883	809872	2	GASKET, Exhaust
884	841968	1	CLAMP, Muffler
1449	703350	4	WASHER -(Muffler)





## Center Outlet Mufflers

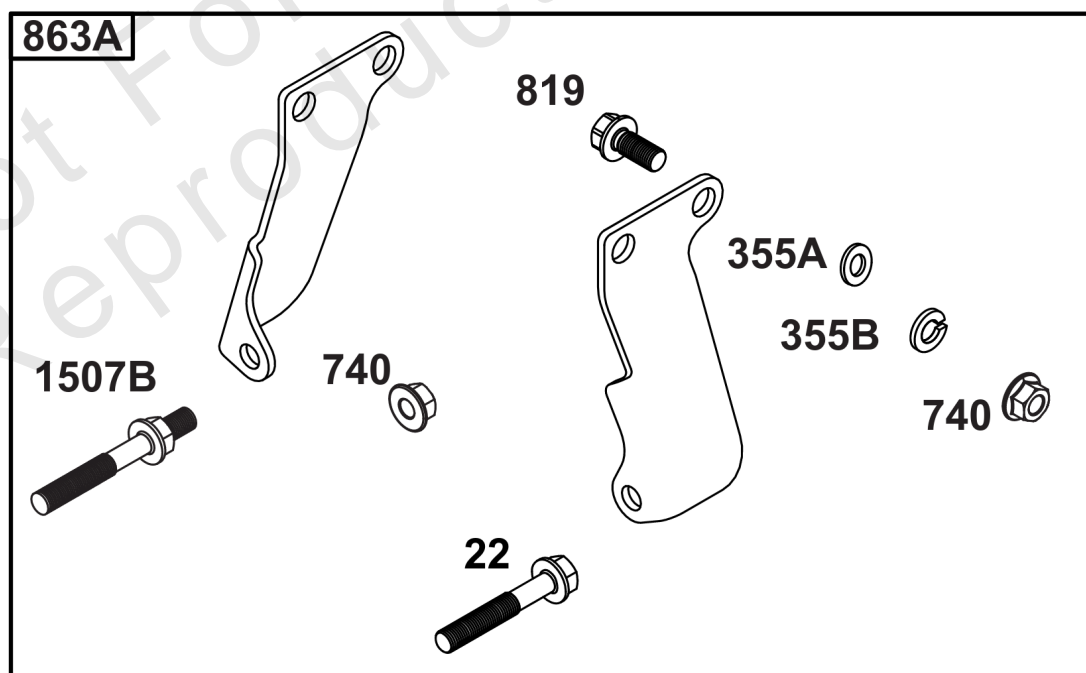
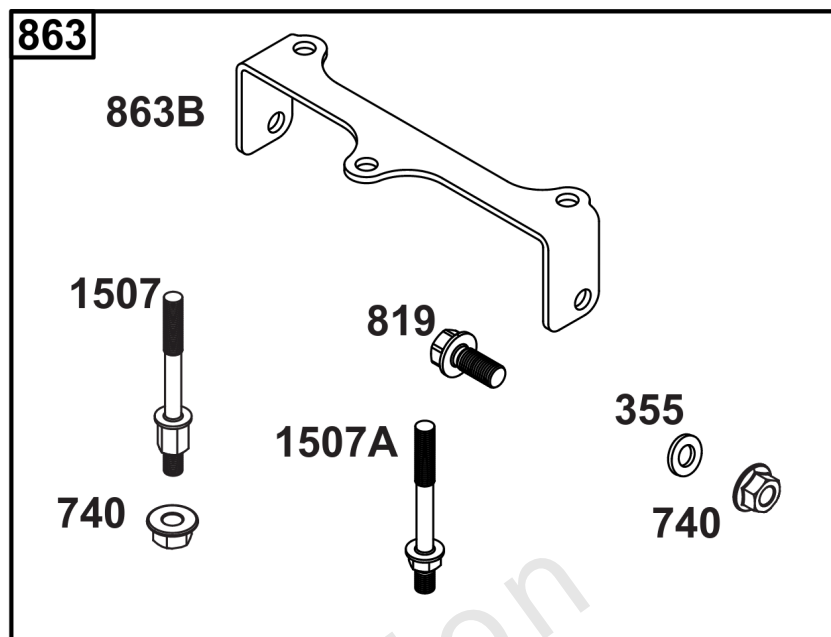
REF NO	PART NO	QTY	DESCRIPTION
22	807362	2	SCREW -(Muffler Bracket)
300	846443	1	MUFFLER -(Vertical Shaft) (Center Outlet) (304 Stainless Steel)
300A	847940	1	MUFFLER -(Vertical Shaft) (Center Outlet) (304 Stainless Steel) (Performance Muffler for 40 HP)
300B	846154	1	MUFFLER -(Horizontal Shaft) (High Mount) (Center Outlet)
300C	847922	1	MUFFLER -(Horizontal Shaft) (High Mount) (Center Outlet) (304 Stainless Steel) (Performance Muffler for 40 HP)
300D	846444	1	MUFFLER -(Horizontal Shaft) (High Mount) (Center Outlet) (304 Stainless Steel)
300E	847478	1	MUFFLER -(Horizontal Shaft) (High Mount) (Center Outlet) (O2 Sensor Port) (EFI)
355	844035	2	WASHER -(Muffler Bracket)
355A	691261	2	WASHER -(Muffler Bracket)
355B	691075	8	WASHER -(Muffler Bracket)
467	846149	4	SCREW -(Exhaust Manifold)
725	841132	1	SHIELD, Heat
725A	847229	1	SHIELD, Heat
728	692067	2	SCREW -(Heat Shield)
740	690941	5	NUT
819	692062	2	SCREW -(Muffler Bracket)
863	848296	1	BRACKET, Muffler
863A	843487	1	BRACKET, Muffler
863B	848296	1	BRACKET, Muffler
883	809872	2	GASKET, Exhaust
1507	848297	1	STUD -(Muffler Bracket)
1507A	848298	2	STUD -(Muffler Bracket)
1507B	846324	2	STUD -(Muffler Bracket)



## Starter Side Outlet Mufflers

REF NO	PART NO	QTY	DESCRIPTION
300	845741	1	MUFFLER -(High Mount) (Starter Side Outlet)
300A	847083	1	MUFFLER -(Starter Side Outlet) (EFI)
300B	847279		MUFFLER -(Side Mount) (Starter Side Outlet) (EFI)
415	596859	1	PLUG
436	842263	1	MANIFOLD, Exhaust
725	841132	1	SHIELD, Heat
728	692067	2	SCREW -(Heat Shield)
832	841682	1	GUARD, Muffler
836	841233	4	SCREW -(Muffler Guard)
883	809872	2	GASKET, Exhaust
884	841968	1	CLAMP, Muffler

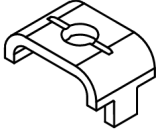
Not For Reproduction



## Muffler Bracket Kits

REF NO	PART NO	QTY	DESCRIPTION
22	807362	2	SCREW -(Muffler Bracket)
355	844035	2	WASHER -(Muffler Bracket)
355A	691261	2	WASHER -(Muffler Bracket)
355B	691075	8	WASHER -(Muffler Bracket)
740	690941	6	NUT -(Muffler Bracket)
819	692062	2	SCREW -(Muffler Bracket)
863	848316	1	BRACKET, Muffler -(Vertical)
863A	843487	1	BRACKET, Muffler -(Horizontal)
863B	848296	1	BRACKET, Muffler -(Vertical)
1507	848297	1	STUD -(Muffler Bracket)
1507A	848298	2	STUD -(Muffler Bracket)
1507B	846324	2	STUD -(Muffler Bracket)

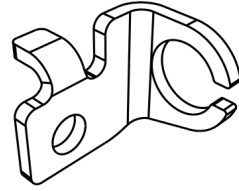
265



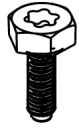
265A



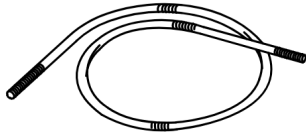
416



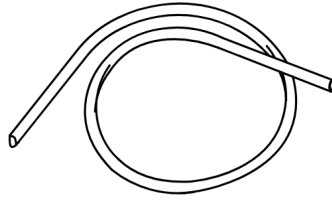
267



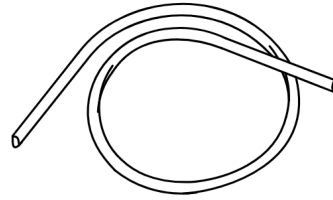
268



269



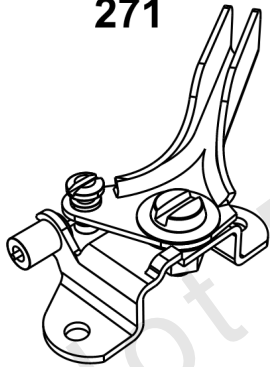
269A



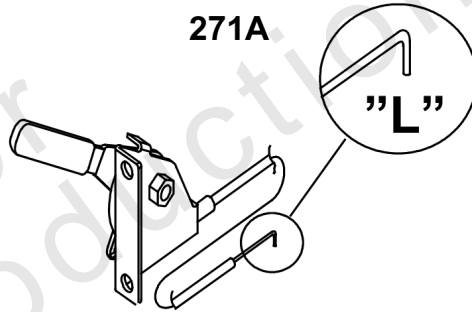
270



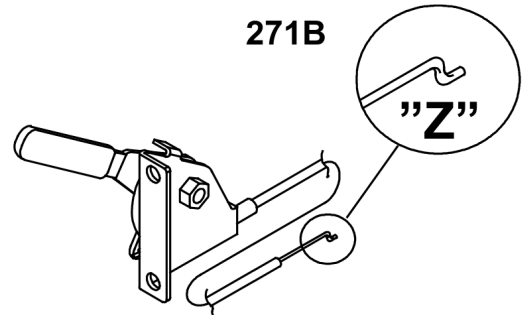
271



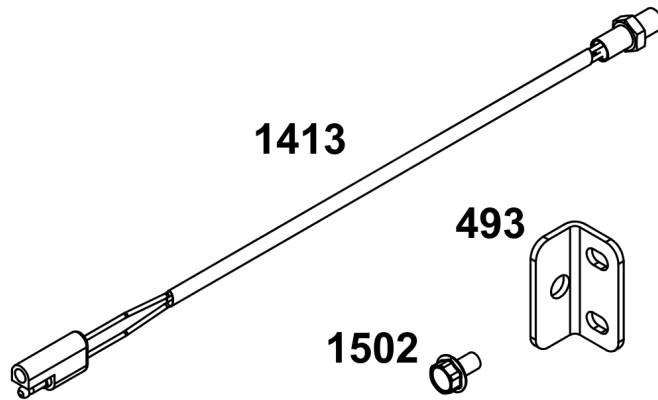
271A



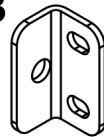
271B



1413



493



1502



## Speed Control

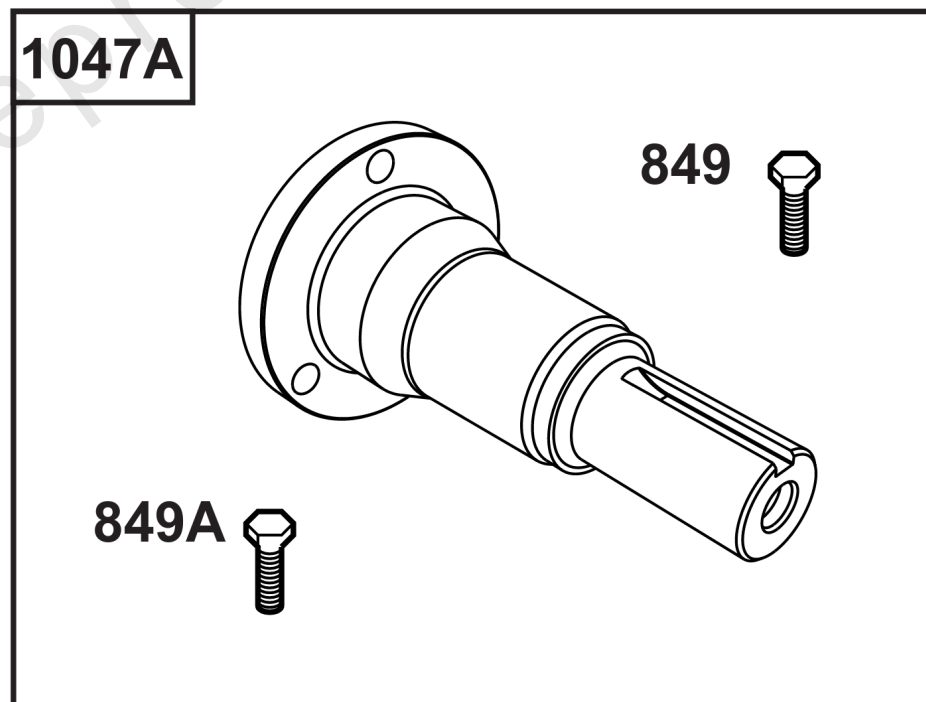
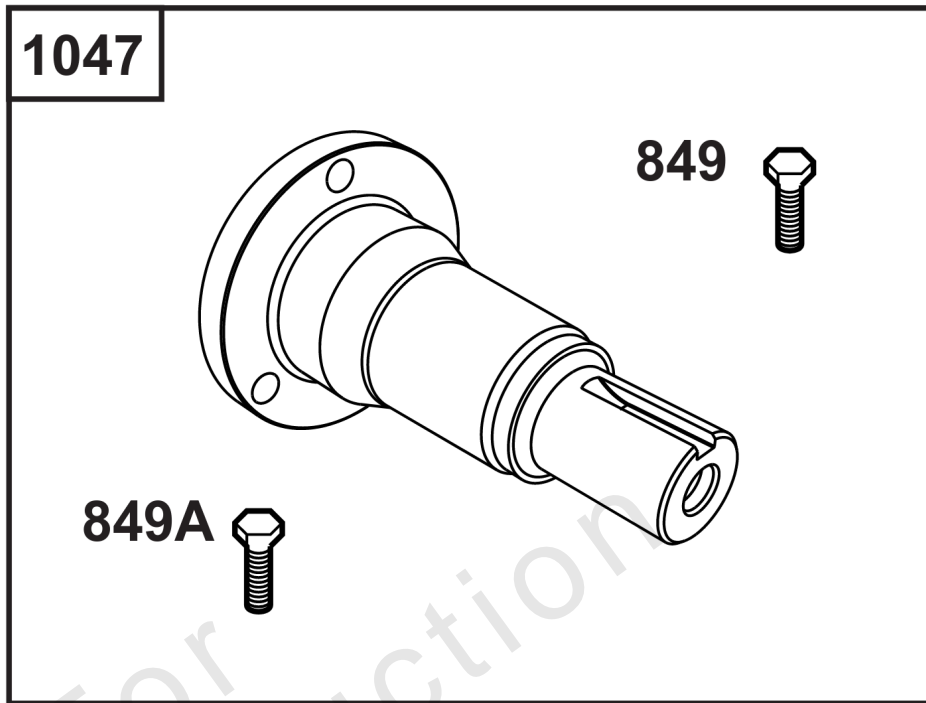
REF NO	PART NO	QTY	DESCRIPTION
265	691024	1	CLAMP, Casing -(Casing Clamp for Hard Casing)
265A	690798	1	CLAMP, Casing -(Casing Clamp for Soft Casing)
267	792629	1	SCREW -(Screw for Casing Clamp)
268	691025	1	CASING, Control Wire -(Wire Casing 72")
269	691026	1	WIRE, Control -(Control Wire 78")
269A	93907	1	WIRE, Control -(Control Wire 100")
270	691027	1	NUT -(Nut for Wire Casing)
271	691028	1	LEVER, Control
271A	692105	1	LEVER, Control -(Wire with "L" formed end)
271B	692541	1	LEVER, Control -(Wire with "Z" formed end)
416	595196	1	BRACKET, Throttle Cable -(Casing Clamp for Snap-In Casing)
493	842713	1	BRACKET, Mounting -(Speed Sensor)
1413	844449	1	SENSOR, Speed -(Requires 842713 Bracket and two 841233 screws)
1502	841233	2	SCREW -(Speed Sensor)





## Electrical

REF NO	PART NO	QTY	DESCRIPTION
330	847476	1	SENSOR, Oxygen -(Extended Length O2 Sensor 23.5")
415	1714480SM	1	PLUG -(Plug for Ignition Switch Removal)
789	809967	1	HARNESS, Wiring -(Wire Harness Extension 8 Pin – 22") (Use with standard key switch 692318 or water/dust resistant key switch 847448)
789A	846776	1	HARNESS, Wiring -(Wire Harness Extension 6 Pin – 22") (Use with standard key switch 692318 or water/dust resistant key switch 847448)
789B	847017	1	WIRE ASSEMBLY -(Wire Harness Extension for 847016 Tach 32")
853	80028618	1	ADAPTER, Wire -(Wire Harness Adapter 6 Pin to 8 Pin)
983	5103809YP	1	LIGHT, Indicator -(MIL Light Indicator, LED Red)
1518	847016	1	TACHOMETER -(Tach, Hour Meter with MIL Light for EFI Engines)
1616	19626	1	CODE READER -(Tiny Scan)

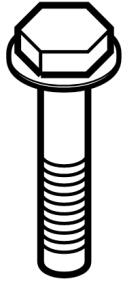


## Stub Shafts

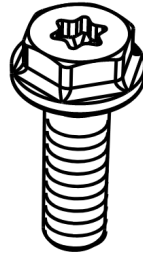
REF NO	PART NO	QTY	DESCRIPTION
849	596370	3	SCREW -(Stub Shaft)
849A	846235	3	SCREW -(Stub Shaft)
1047	841304	1	SHAFT, Stub -(Flywheel Mounted) (1-1/8" diameter, 148 mm length)
1047A	843342	1	SHAFT, Stub -(Flywheel Mounted) (1-1/8" diameter, 176 mm length)

Not For Reproduction

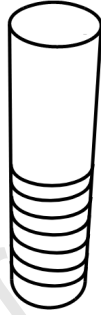
613



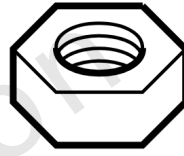
437



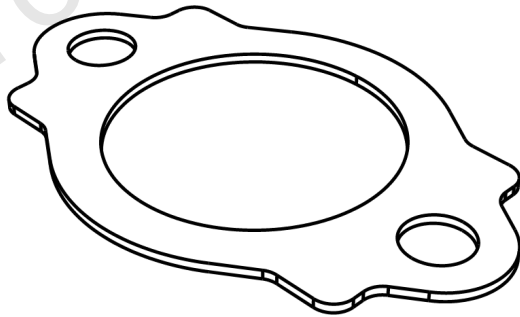
151



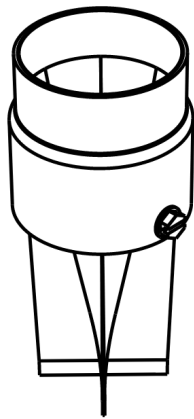
1177



883



994



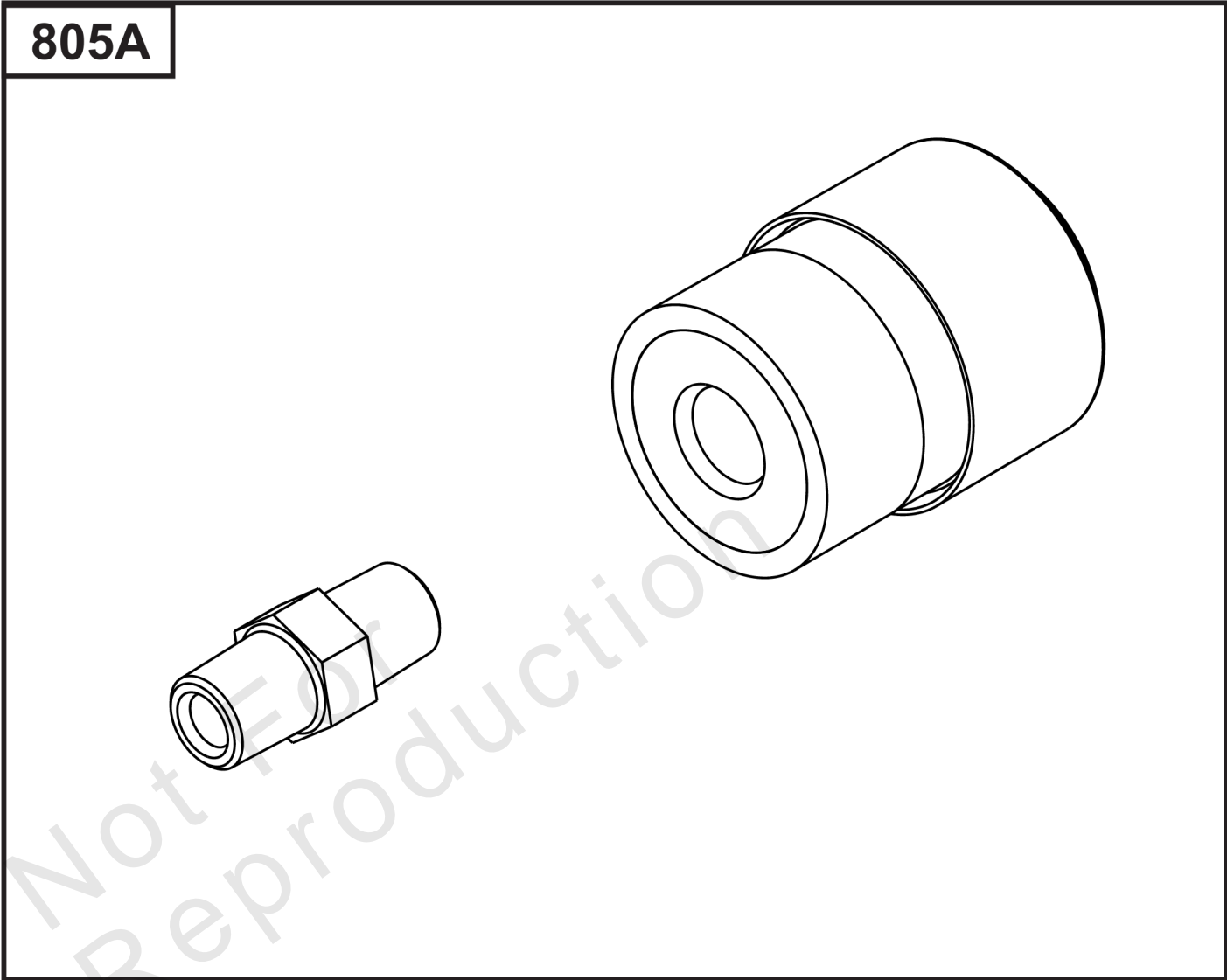
301



## Spark Arrester/Deflector

REF NO	PART NO	QTY	DESCRIPTION
151	841185	4	STUD -(4 per engine)
301	841518	1	PIPE, Exhaust -(For 44.7 O.D. muffler outlet pipe) (Requires clamp 843624)
437	809743	4	SCREW -(M8 x 25 for Mounting Mufflers) (4 per engine)
613	692062	4	SCREW -(M8 x 18 for Mounting Mufflers) (4 per engine)
883	809872	2	GASKET, Exhaust -(2 per engine)
994	843204	1	ARRESTOR, Spark -(1.75") (44.7 mm) (O.D. Outlet Tube)
1177	842067	4	NUT -(Required if using 841185 stud)

Not For Reproduction



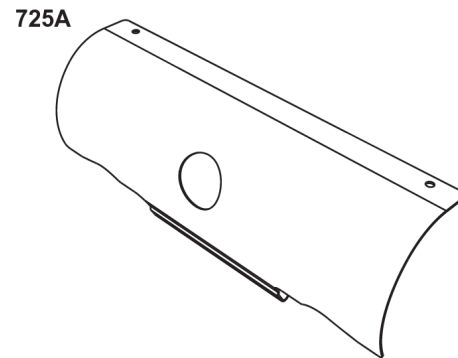
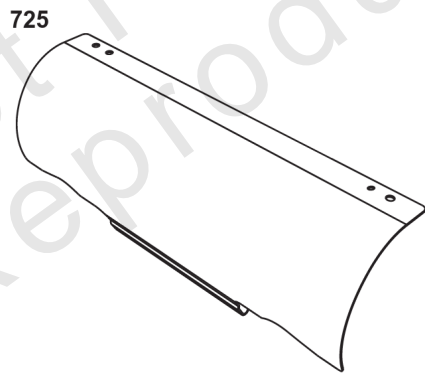
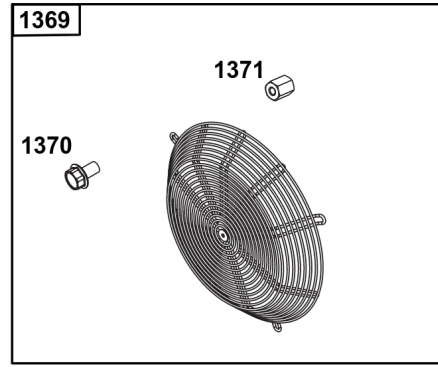
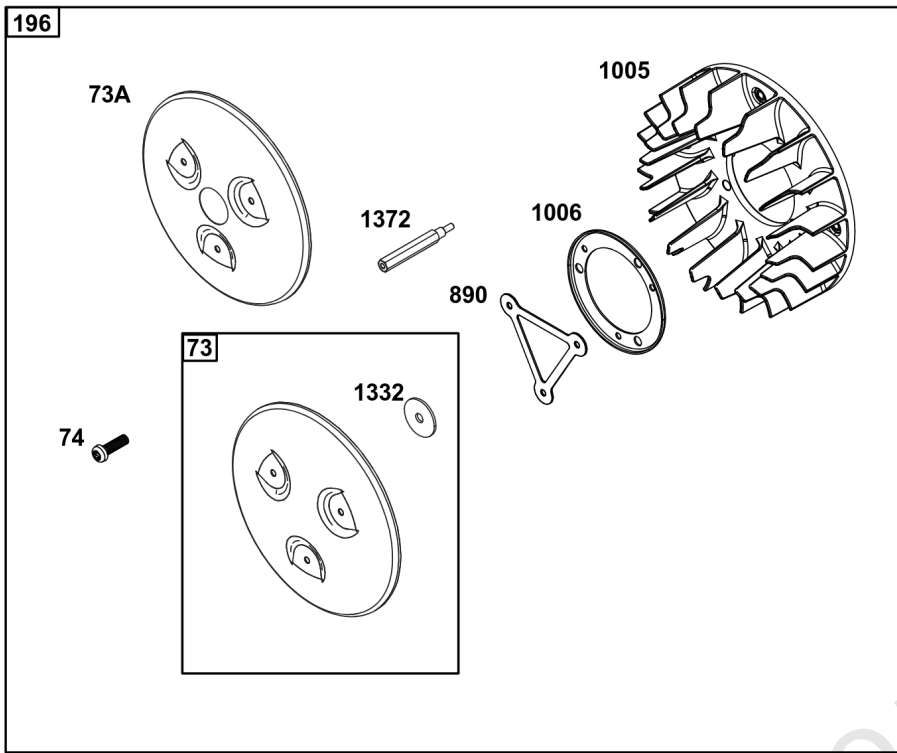
## *Air Intake*

---

REF NO	PART NO	QTY	DESCRIPTION
805A	843024	1	MINDER, Filter

---

Not For Reproduction

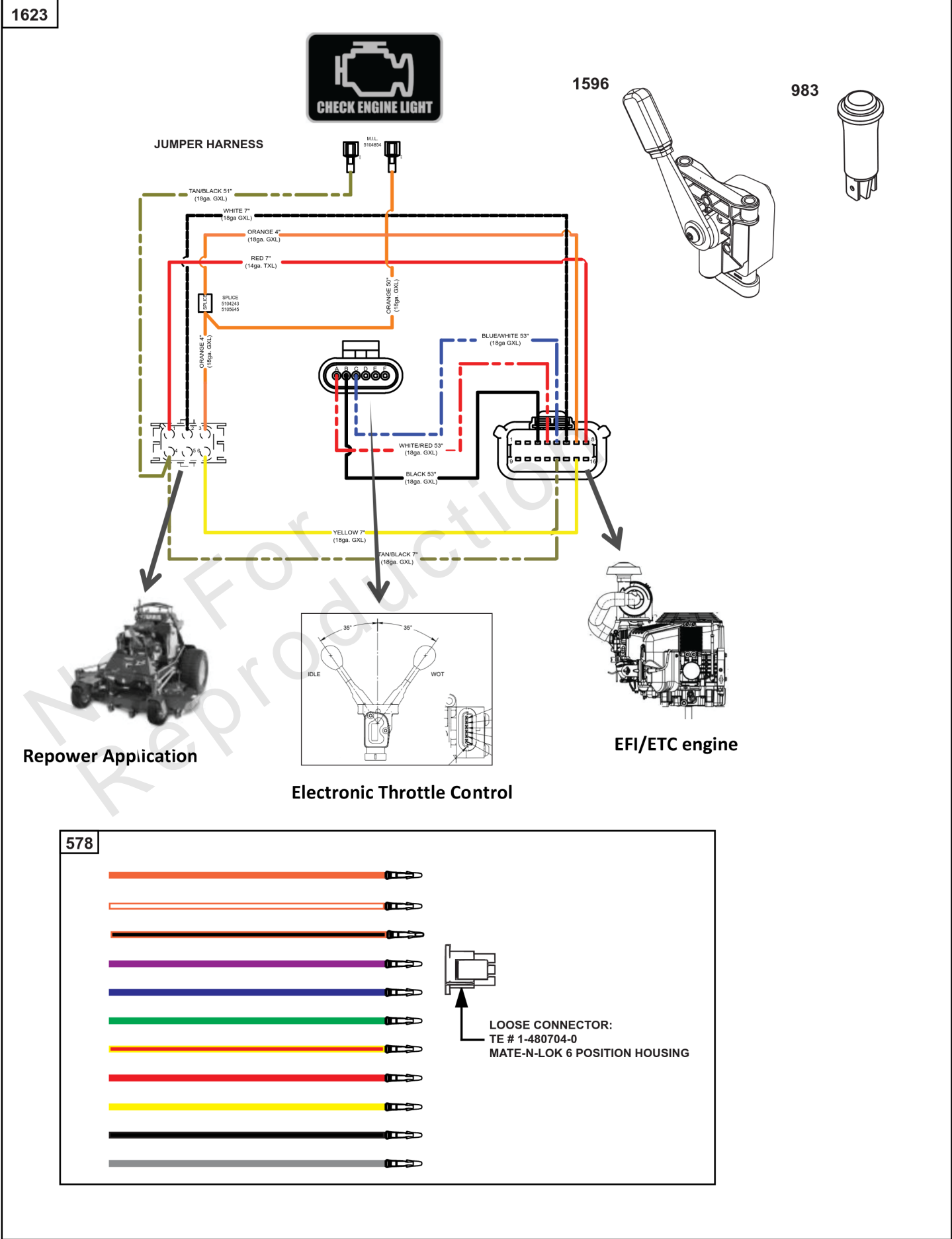




## Guarding

REF NO	PART NO	QTY	DESCRIPTION
73	841840	1	SCREEN, Rotating
73A	842248	1	SCREEN, Rotating
74	809947	3	SCREW -(Rotating Screen) (M6x20mm)
196	847200	1	GUARD, Flywheel Fan
725	841132	1	SHIELD, Heat -(Requires 2 x 692067 Screw)
725A	847229	1	SHIELD, Heat -(With 02 Sensor Hole) (EFI)
890	809987	1	BRACKET, Support
1005	846996	1	FAN, Flywheel
1006	847198	1	RETAINER, Fan
1332	809948	3	WASHER
1369	995019	1	FAN/SCREEN ASSEMBLY
1370	841233	4	SCREW -(Flywheel Fan Guard)
1371	841537	4	NUT -(Flywheel Fan Guard)
1372	809946	3	STUD

Not For Reproduction



## ***Electronic Throttle Kit***

<b>REF NO</b>	<b>PART NO</b>	<b>QTY</b>	<b>DESCRIPTION</b>
578	84007350	1	WIRE ASSEMBLY
983	5103809YP	1	LIGHT, Indicator
1596	84007271	1	LEVER, Electronic Throttle
1623	84008670	1	KIT, Throttle Assembly -(Analog Electronic Throttle Control)

Not For Reproduction

