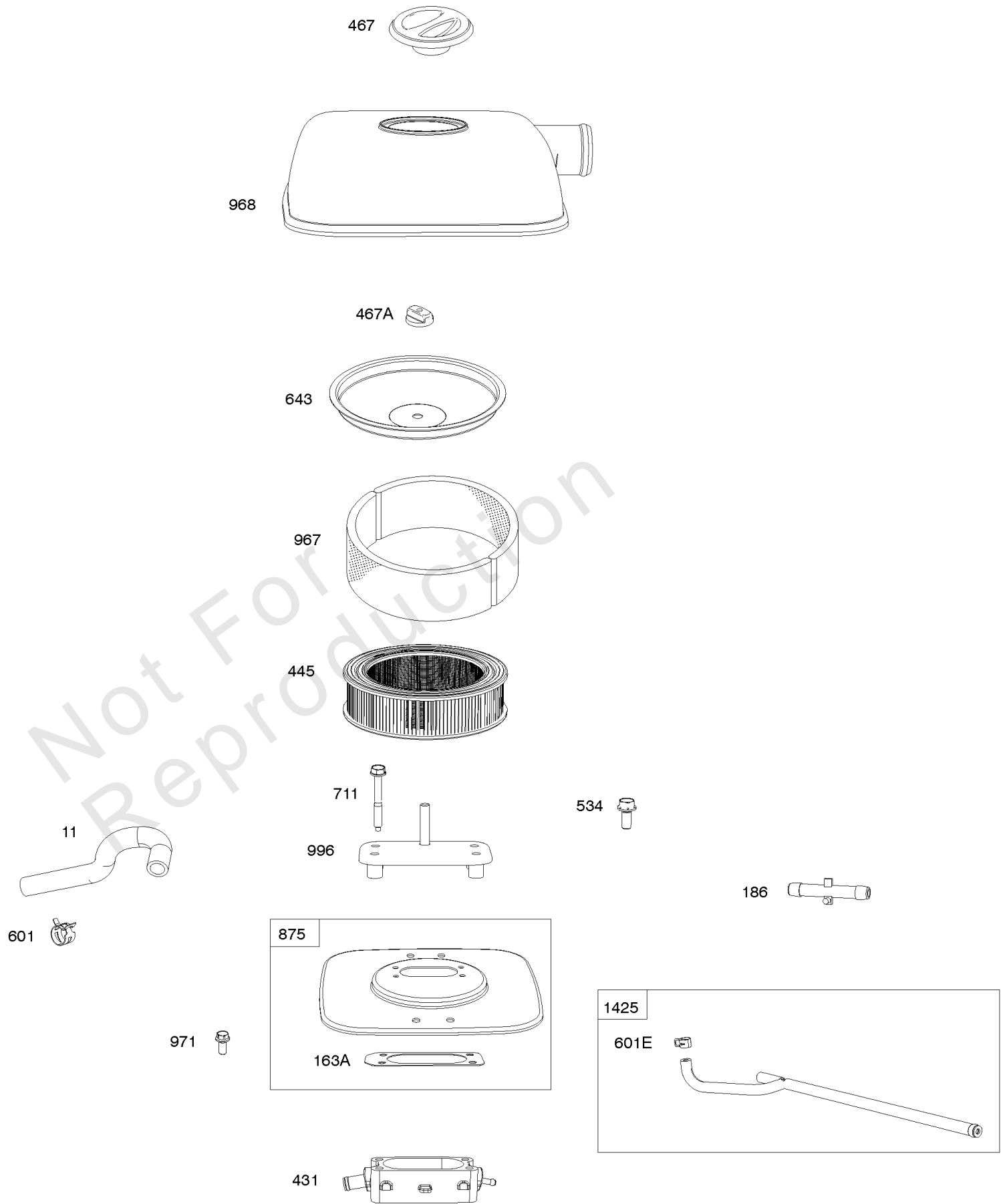




Parts Manual

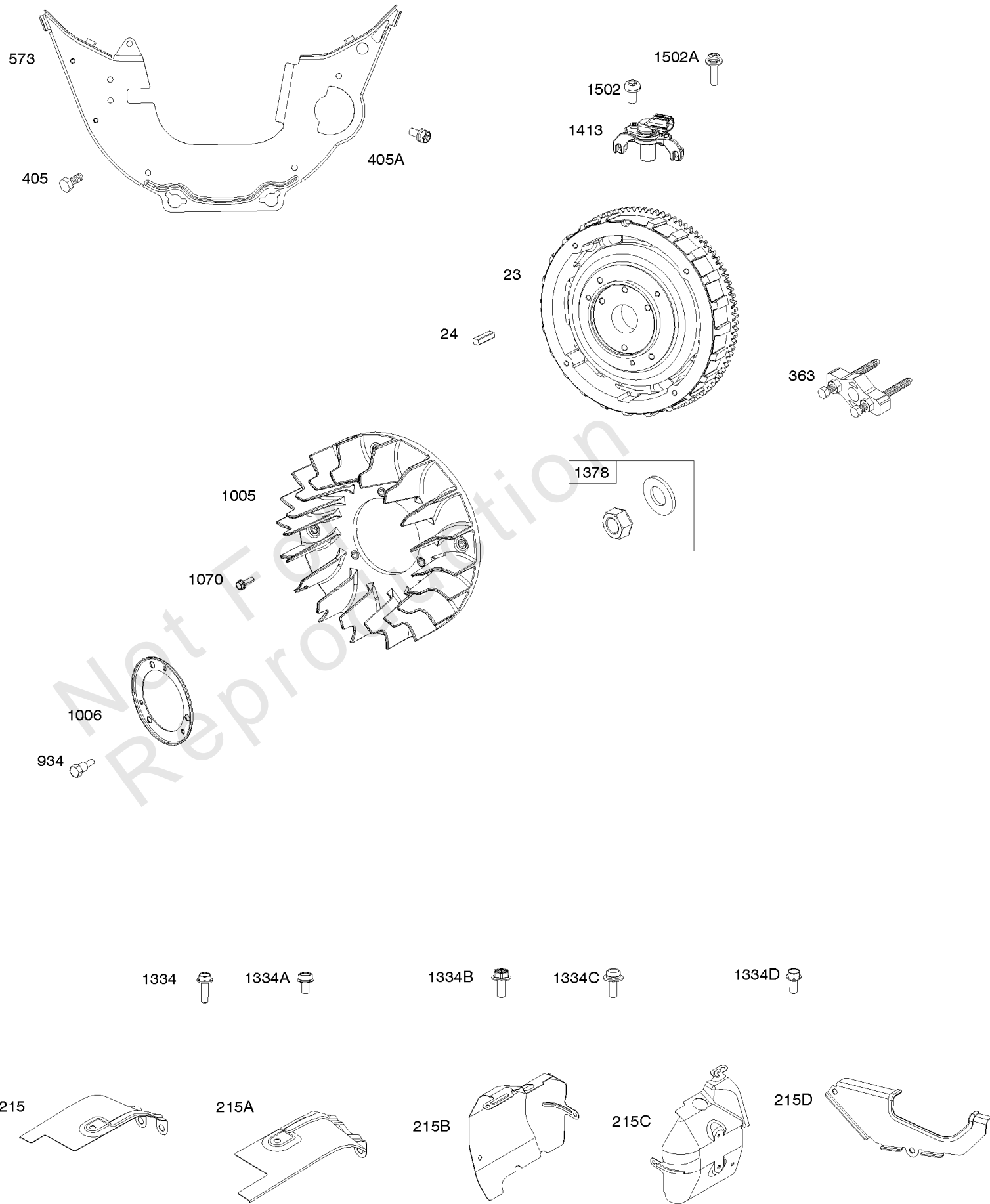
Mfg. No: 54E177-0001-J1

| Model Components | Page |
|--|-------------|
| Air Cleaner..... | 4 |
| Air Guides, Flywheel, Flywheel Fan..... | 6 |
| Blower Housing, Back Plate, Carburetor/EFI Cover..... | 8 |
| Control Brackets, Springs, Muffler Parts..... | 10 |
| Crankcase Cover..... | 12 |
| Cylinder Heads #1 and #2, Valve Covers..... | 14 |
| Cylinder, Crankshaft, Piston/Rings/Connecting Rod..... | 16 |
| Electric Starter, Alternator, Regulator, ECM..... | 20 |
| Engine Gasket Set, Valve Gasket Set..... | 22 |
| Fuel Pump, Fuel Module, Fuel Lines..... | 24 |
| Intake Manifold, Throttle Body, Ignition Coil..... | 26 |
| Replacement Engine - US & Canada..... | 28 |
| Model 54-61 Engine Accessories Catalog..... | 29 |
| Maintenance Kits..... | 30 |
| Lubrication..... | 32 |
| Oil Filter Side Outlet Mufflers..... | 34 |
| Center Outlet Mufflers..... | 36 |
| Starter Side Outlet Mufflers..... | 38 |
| Muffler Bracket Kits..... | 40 |
| Speed Control..... | 42 |
| Electrical..... | 44 |
| Stub Shafts..... | 46 |
| Spark Arrester/Deflector..... | 48 |
| Air Intake..... | 50 |
| Guarding..... | 52 |
| Electronic Throttle Kit..... | 54 |



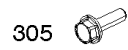
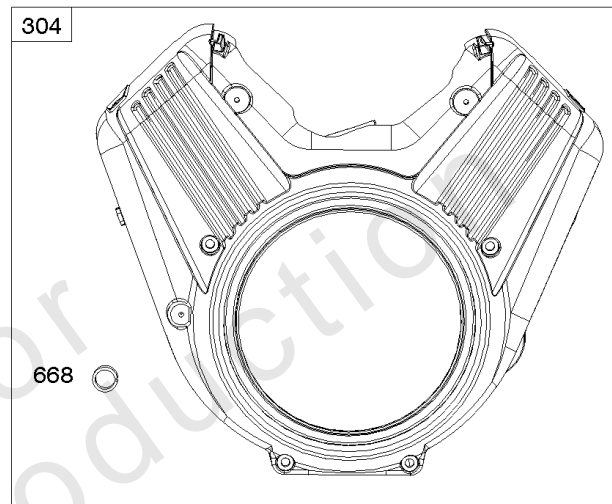
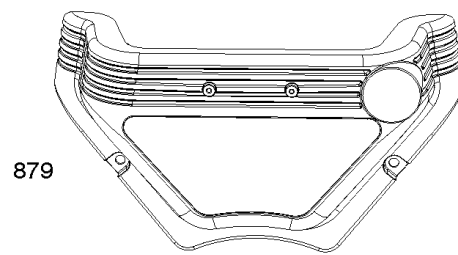
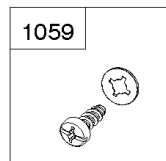
Air Cleaner

| REF NO | PART NO | QTY | DESCRIPTION |
|--------|---------|-----|--|
| 11 | 846502 | | TUBE, Breather -(Formed Hose) |
| 163A | 843117 | | GASKET, Air Cleaner |
| 186 | 845121 | | CONNECTOR, Hose |
| 431 | 846507 | | ELBOW, Intake |
| 445 | 692519 | | FILTER, A/C Cartridge |
| 467 | 846008 | | KNOB, Air Cleaner Cover |
| 467A | 846432 | | KNOB, Air Cleaner Cover |
| 534 | 692062 | | SCREW -(Air Cleaner) (M8x18mm) |
| 601 | 844405 | | CLAMP, Hose -(Breather Tube) |
| 601E | 846483 | | CLAMP, Hose -(Purge Line Hose) |
| 643 | 844932 | | RETAINER, Air Cleaner |
| 711 | 806444 | | SCREW -(Carburetor Shield) (M6x68mm) |
| 875 | 843118 | | BASE, Air Cleaner |
| 967 | 692520 | | FILTER, Pre Cleaner |
| 968 | 841847 | | COVER, Air Cleaner |
| 971 | 692062 | | SCREW -(Air Cleaner Base to Carburetor/Throttle Body) |
| 996 | 846006 | | SHIELD, Carburetor |
| 1425 | 847085 | | TUBE, Vent |



Air Guides, Flywheel, Flywheel Fan

| REF NO | PART NO | QTY | DESCRIPTION |
|--------|---------|-----|------------------------------------|
| 23 | 846836 | | FLYWHEEL |
| 24 | 796335 | | KEY, Flywheel -(Steel) |
| 215 | 846455 | | GUIDE, Air -(Cylinder #1) |
| 215A | 846456 | | GUIDE, Air -(Cylinder #2) |
| 215D | 846458 | | GUIDE, Air -(Valley) |
| 215B | 809897 | | GUIDE, Air -(Cylinder #2) |
| 215C | 809738 | | GUIDE, Air -(Cylinder #1) |
| 363 | 19203 | | PULLER, Flywheel |
| 405 | 841233 | | SCREW -(Back Plate) (M6x10mm) |
| 405A | 841735 | | SCREW -(Back Plate) (M6x14mm) |
| 573 | 846840 | | PLATE, Back |
| 934 | 807421 | | SCREW -(Fan Retainer) (M6x25mm) |
| 1005 | 846995 | | FAN, Flywheel |
| 1006 | 847198 | | RETAINER, Fan |
| 1070 | 807435 | | SCREW -(Flywheel Fan) (M6x20mm) |
| 1334 | 807435 | | SCREW -(Air Guide) (M6x20mm) |
| 1334A | 841233 | | SCREW -(Air Guide) (M6x10mm) |
| 1334B | 807084 | | SCREW -(Air Guide) (M6x14mm) |
| 1334C | 690677 | | SCREW -(Air Guide) (M4x12mm) |
| 1334D | 692062 | | SCREW -(Air Guide) (M8x18mm) |
| 1378 | 844795 | | SET, Washer/Nut -(Flywheel) |
| 1413 | 846457 | | SENSOR, Speed |
| 1502 | 846459 | | SCREW -(Speed Sensor) (M5x10mm) |
| 1502A | 846868 | | SCREW -(Speed Sensor) (M4x18mm) |



1212



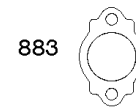
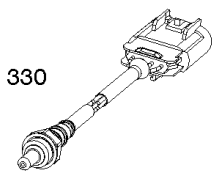
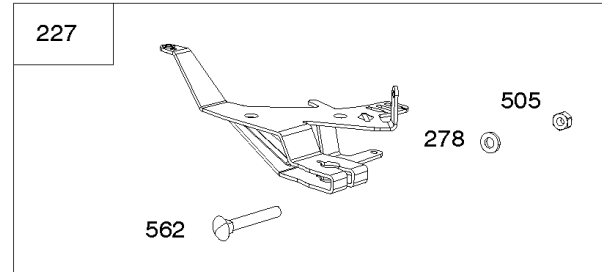
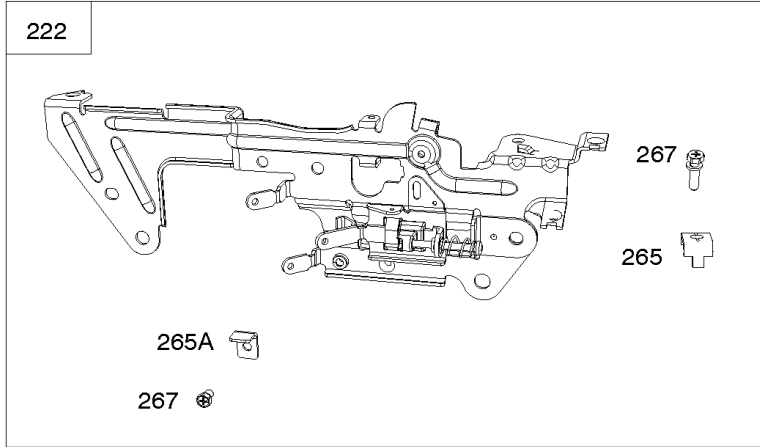
1335



Blower Housing, Back Plate, Carburetor/EFI Cover

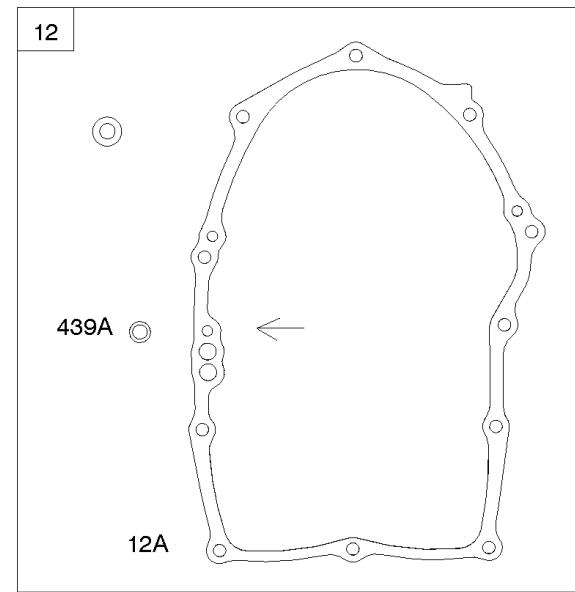
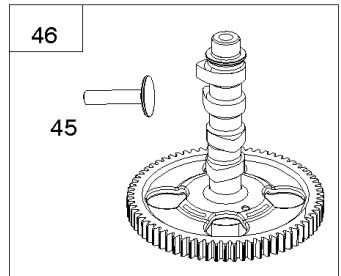
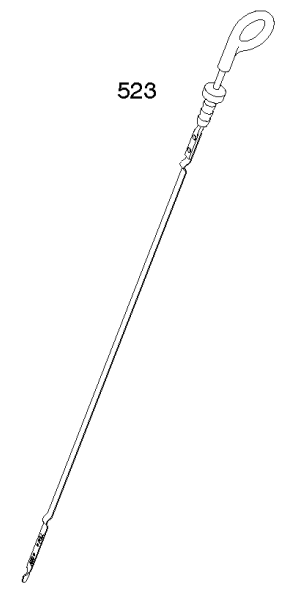
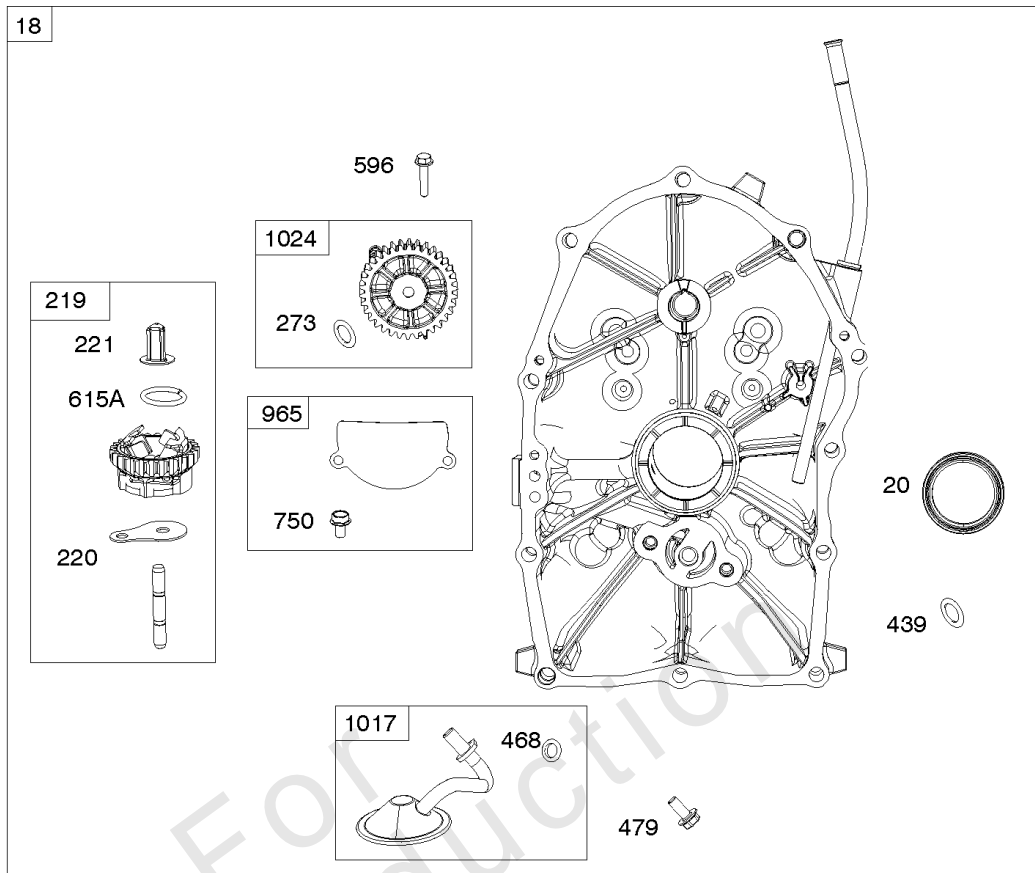
| REF NO | PART NO | QTY | DESCRIPTION |
|---------------|----------------|------------|--|
| 304 | 846481 | | HOUSING, Blower -(Oil Cooler) |
| 305 | 807435 | | SCREW -(Blower Housing) (M6x20mm) |
| 668 | 841974 | | SPACER -(Blower Housing) |
| 879 | 846480 | | COVER, Carburetor/EFI |
| 1059 | 845300 | | KIT, Screw/Washer -(Carburetor/EFI Cover) |
| 1212 | 809958 | | STUD -(Blower Housing) |
| 1335 | 690939 | | NUT -(Blower Housing) |

Not For Reproduction



Control Brackets, Springs, Muffler Parts

| REF NO | PART NO | QTY | DESCRIPTION |
|--------|---------|-----|--|
| 188 | 692062 | | SCREW -(Control Bracket) (M8x18mm) |
| 202 | 846825 | | LINK, Mechanical Governor |
| 209 | 809874 | | SPRING, Governor -(Black) |
| 211 | 809875 | | SPRING, Governed Idle -(White) |
| 222 | 846818 | | BRACKET, Control |
| 227 | 809984 | | LEVER, Governor Control |
| 232 | 843248 | | SPRING/LINK, Governor |
| 265 | 691024 | | CLAMP, Casing |
| 265A | 841673 | | CLAMP, Casing -(Control Bracket) |
| 267 | 841552 | | SCREW -(Casing Clamp) (M5x20mm) |
| 278 | 842122 | | WASHER -(Governor Control Lever) |
| 330 | 593870 | | SENSOR, Oxygen |
| 437 | 846149 | | SCREW -(Exhaust Manifold) (M8x25mm) |
| 505 | 844752 | | NUT -(Governor Control Lever) |
| 562 | 843344 | | BOLT -(Governor Lever) |
| 613 | 692062 | | SCREW -(Muffler) (M8x18mm) |
| 729 | 846826 | | CLIP, Wire |
| 883 | 809872 | | GASKET, Exhaust |

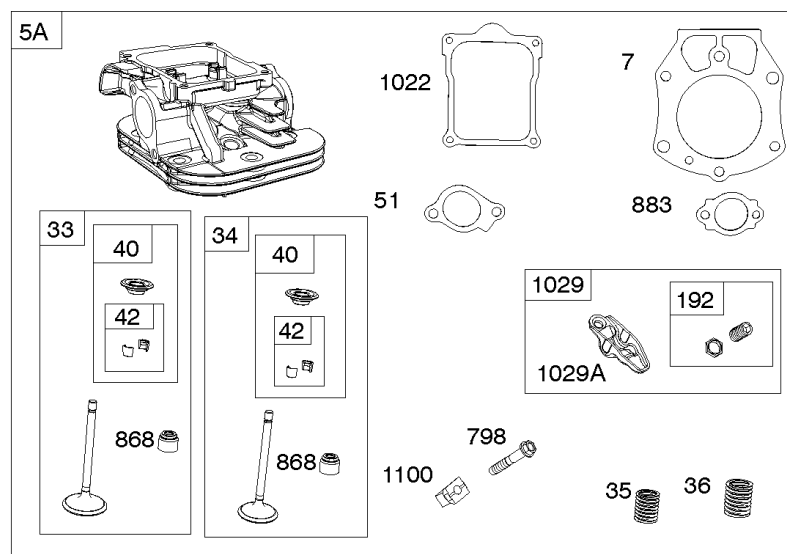
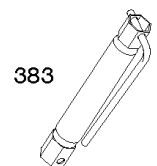
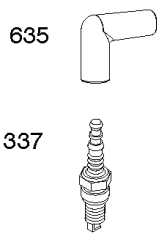
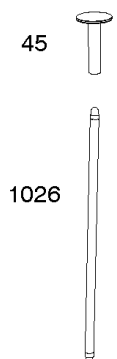
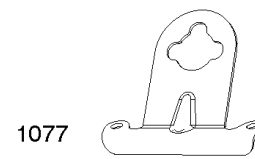
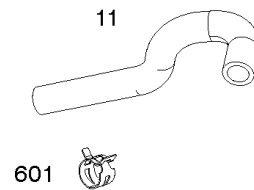
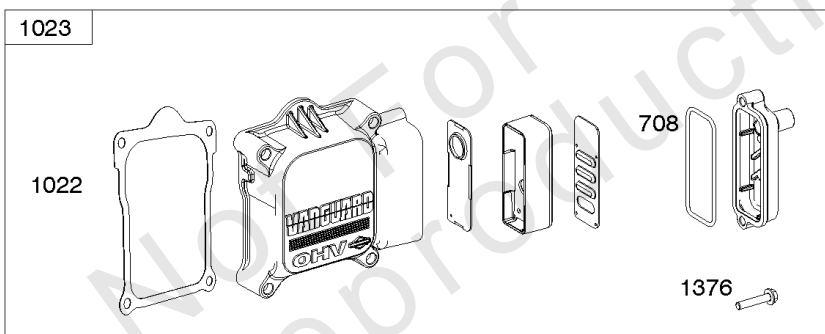
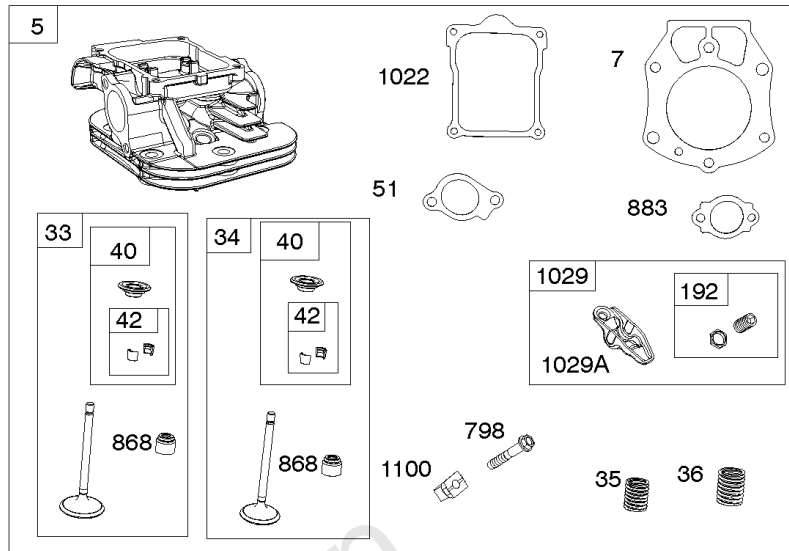
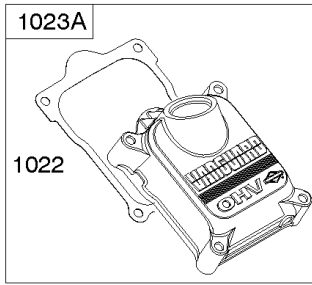
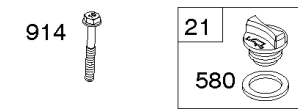


Crankcase Cover

| REF NO | PART NO | QTY | DESCRIPTION |
|--------|---------|-----|--|
| 12 | 846037 | | GASKET, Crankcase -(Metal Core Gasket) |
| 12A | 843969 | | GASKET, Crankcase -(Metal Core Gasket) |
| 18 | 845934 | | COVER, Crankcase |
| 20 | 841596 | | SEAL, Oil -(PTO Side) |
| 22 | 807362 | | SCREW -(Crankcase Cover/Sump) (M8x50mm) |
| 45 | 809785 | | TAPPET, Valve |
| 46 | 809879 | | CAMSHAFT |
| 219 | 809426 | | GEAR, Governor |
| 220 | 841608 | | WASHER -(Governor Gear) |
| 221 | 841026 | | CUP, Governor |
| 273 | 690681 | | SEAL, O-Ring -(Oil Pump) |
| 439 | 692154 | | O-RING, Oil Gallery -(Crankcase Cover/Sump or Cylinder Assembly) (Cylinder) |
| 439A | 846027 | | O-RING, Oil Gallery -(Crankcase Cover/Sump or Cylinder Assembly) (Crankcase Cover/Sump) |
| 468 | 690690 | | SEAL, O-Ring -(Oil Pump Screen) |
| 479 | 807084 | | SCREW -(Oil Pump Screen) |
| 523 | 841007 | | DIPSTICK |
| 596 | 691492 | | SCREW -(Oil Pump) |
| 615A | 698290 | | RETAINER, Governor Shaft |
| 750 | 841233 | | SCREW -(Oil Pump Cover) (M6x10mm) |
| 965 | 809422 | | COVER, Oil Pump |
| 1017 | 809421 | | SCREEN, Oil Pump |
| 1024 | 845983 | | PUMP, Oil |

Cylinder Heads #1 and #2, Valve Covers

Mfg. No: 54E177-0001-J1

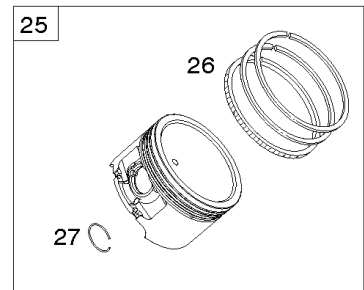
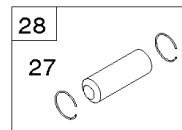
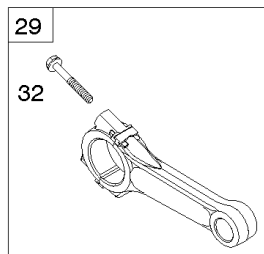
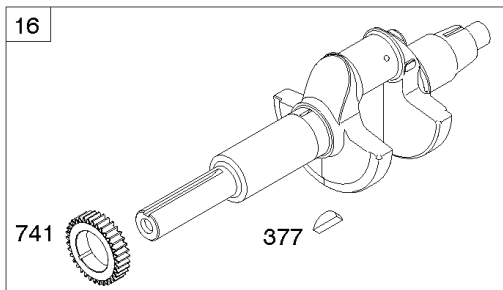
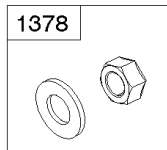
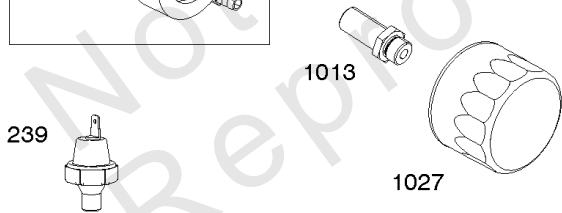
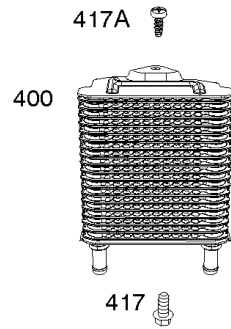
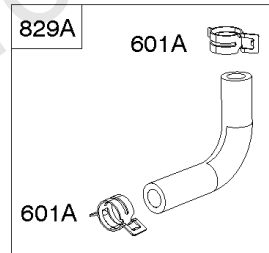
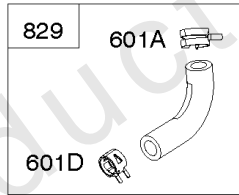
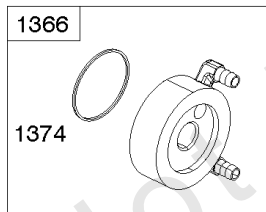
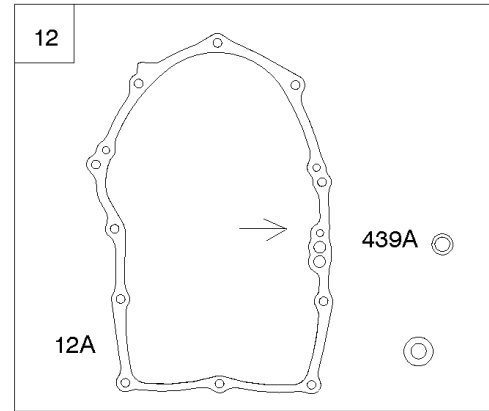
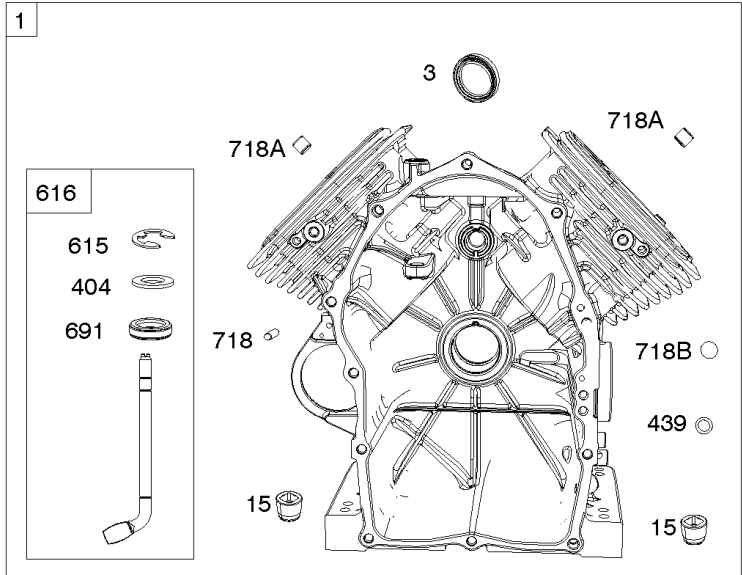


Cylinder Heads #1 and #2, Valve Covers

| REF NO | PART NO | QTY | DESCRIPTION |
|--------|---------|-----|--|
| 5 | 846463 | | HEAD, Cylinder -(Cylinder 1) |
| 5A | 846464 | | HEAD, Cylinder -(Cylinder 2) |
| 7 | 809730 | | GASKET, Cylinder Head |
| 11 | 846502 | | TUBE, Breather -(Formed Hose) |
| 13 | 809784 | | SCREW -(Cylinder Head) (M9x70mm) |
| 21 | 843464 | | CAP, Oil Fill |
| 33 | 844787 | | VALVE, Exhaust |
| 34 | 846469 | | VALVE, Intake |
| 35 | 845589 | | SPRING, Valve -(Intake) (Intake) (Pink) |
| 36 | 845589 | | SPRING, Valve -(Exhaust) (Exhaust) (Pink) |
| 40 | 844788 | | RETAINER, Valve |
| 42 | 807683 | | KEEPER, Valve |
| 45 | 809785 | | TAPPET, Valve |
| 51 | 841592 | | GASKET, Intake -(Intake Manifold) |
| 192 | 690083 | | ADJUSTER, Rocker Arm |
| 337 | 792015 | | PLUG, Spark |
| 383 | 19576S | | WRENCH, Spark Plug |
| 580 | 809894 | | SEAL, O-Ring -(Oil Fill Cap) |
| 601 | 844405 | | CLAMP, Hose -(Breather Tube) |
| 635 | 692076 | | BOOT, Spark Plug |
| 708 | 841301 | | SEAL, O-Ring -(Breather Reed) |
| 798 | 691492 | | SCREW -(Rocker Arm) (M6x18mm) |
| 868 | 691963 | | SEAL, Valve |
| 883 | 809872 | | GASKET, Exhaust |
| 914 | 807357 | | SCREW -(Rocker Cover) (M6x40mm) |
| 1022 | 809732 | | GASKET, Rocker Cover |
| 1023 | 809789 | | COVER, Rocker -(Cylinder #2) |
| 1023A | 809731 | | COVER, Rocker -(Cylinder #1) |
| 1026 | 809783 | | ROD, Push -(Intake and Exhaust) |
| 1029 | 690972 | | ARM, Rocker |
| 1029A | 807323 | | ARM, Rocker |
| 1077 | 809729 | | BRACKET, Lifting |
| 1100 | 791959 | | PIVOT, Rocker Arm |
| 1376 | 806421 | | SCREW -(Breather Reed Cover) |

1036

1330

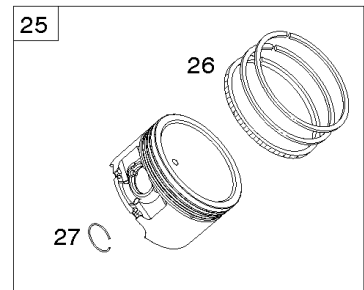
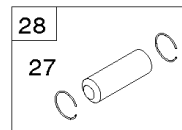
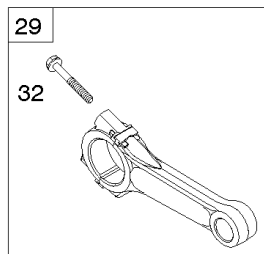
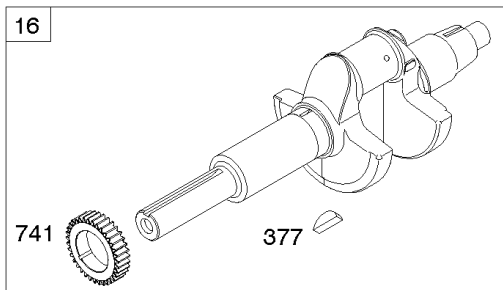
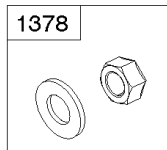
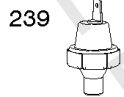
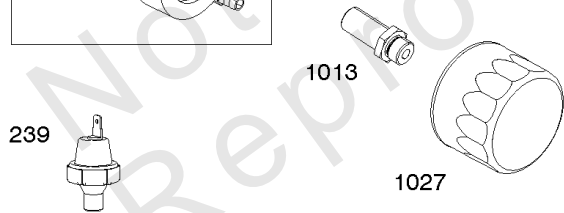
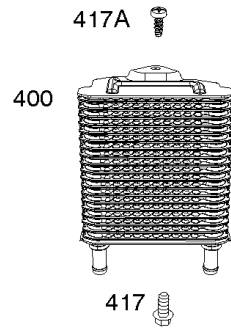
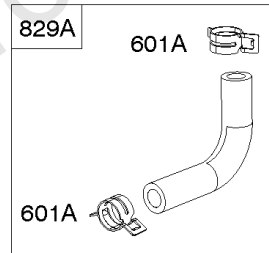
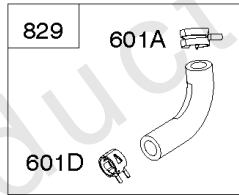
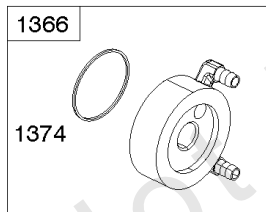
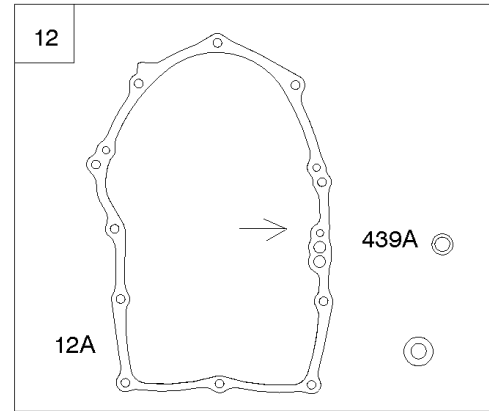
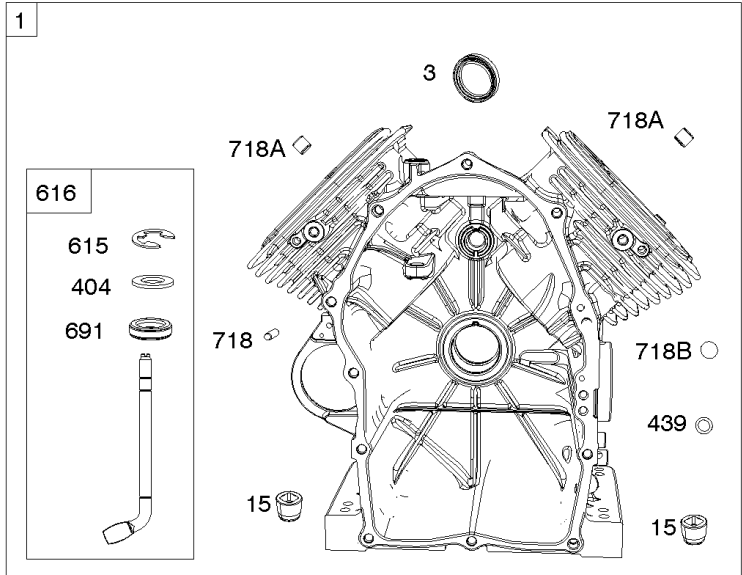


Cylinder, Crankshaft, Piston/Rings/Connecting Rod

| REF NO | PART NO | QTY | DESCRIPTION |
|--------|---------|-----|--|
| 1 | 847275 | | CYLINDER ASSEMBLY |
| 3 | 841596 | | SEAL, Oil -(Magneto Side) |
| 12 | 846037 | | GASKET, Crankcase -(Metal Core Gasket) |
| 12A | 843969 | | GASKET, Crankcase -(Metal Core Gasket) |
| 15 | 691680 | | PLUG, Oil Drain |
| 16 | 843292 | | CRANKSHAFT |
| 24 | 796335 | | KEY, Flywheel -(Steel) |
| 25 | 809790 | | PISTON ASSEMBLY -(Standard) |
| 25 | 841931 | | PISTON ASSEMBLY -(.020 Oversize) |
| 26 | 809972 | | SET, Ring -(Standard) |
| 26 | 841932 | | SET, Ring -(.020 Oversize) |
| 27 | 807351 | | LOCK, Piston Pin |
| 28 | 807361 | | PIN, Piston |
| 29 | 809275 | | ROD, Connecting |
| 32 | 807363 | | SCREW -(Connecting Rod) |
| 239 | 697049 | | SWITCH, Oil Pressure |
| 377 | 691639 | | KEY, Woodruff |
| 400 | 846249 | | COOLER, Oil |
| 404 | 809436 | | WASHER -(Governor Crank) |
| 417 | 841233 | | SCREW -(Oil Cooler) (M6x10mm) |
| 417A | 846250 | | SCREW -(Oil Cooler) (M6x16mm) |
| 439 | 692154 | | O-RING, Oil Gallery -(Crankcase Cover/Sump or Cylinder Assembly) (Cylinder) |
| 439A | 846027 | | O-RING, Oil Gallery -(Crankcase Cover/Sump or Cylinder Assembly) (Crankcase Cover/Sump) |
| 490 | 843433 | | BEARING, Magneto Side |
| 601A | 841597 | | CLAMP, Hose -(Oil Cooler Hose) |
| 601D | 845209 | | CLAMP, Hose -(Oil Cooler Hose) |
| 615 | 809533 | | RETAINER, Governor Shaft |
| 616 | 844180 | | CRANK, Governor |
| 691 | 809287 | | SEAL, Governor Shaft |
| 718 | 690959 | | PIN, Locating -(Cylinder) |
| 718A | 809508 | | PIN, Locating -(Cylinder Head) |
| 718B | 845925 | | PIN, Locating -(Cylinder) |
| 741 | 809432 | | GEAR, Timing |
| 829 | 846247 | | HOSE, Oil Cooler |
| 829A | 846248 | | HOSE, Oil Cooler |
| 1013 | 841602 | | NIPPLE, Oil Filter |
| 1027 | 842921 | | FILTER, Oil |
| 1036 | ---- | | Label-Emissions -(Available From A Briggs & Stratton Authorized Dealer) |

1036

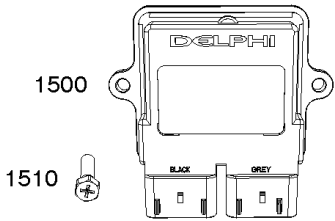
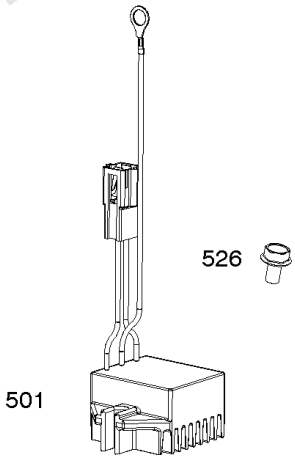
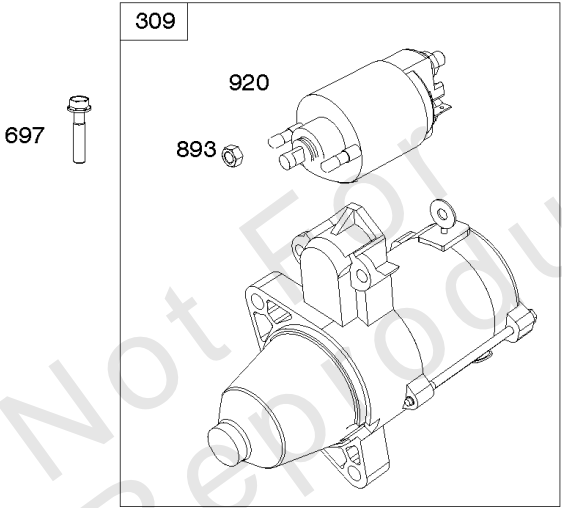
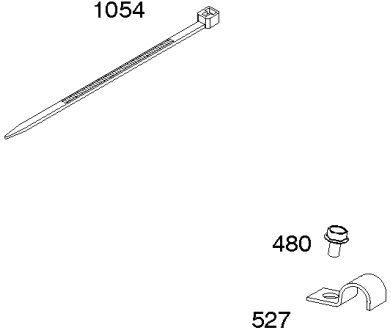
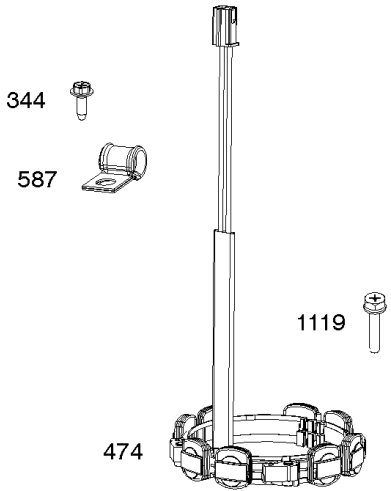
1330



Cylinder, Crankshaft, Piston/Rings/Connecting Rod

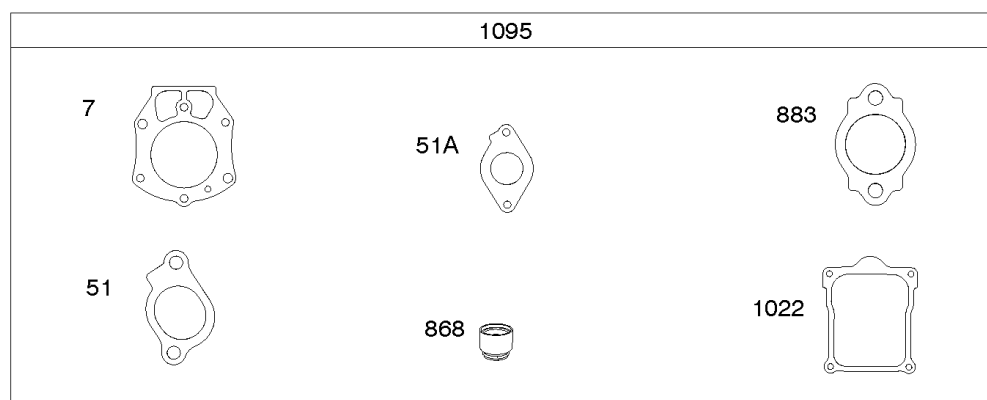
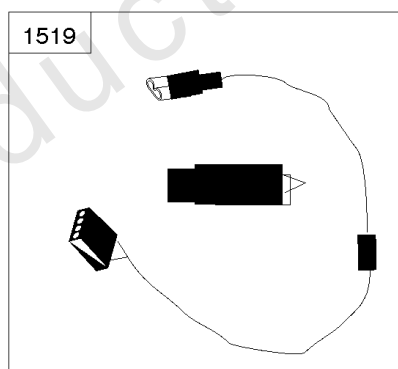
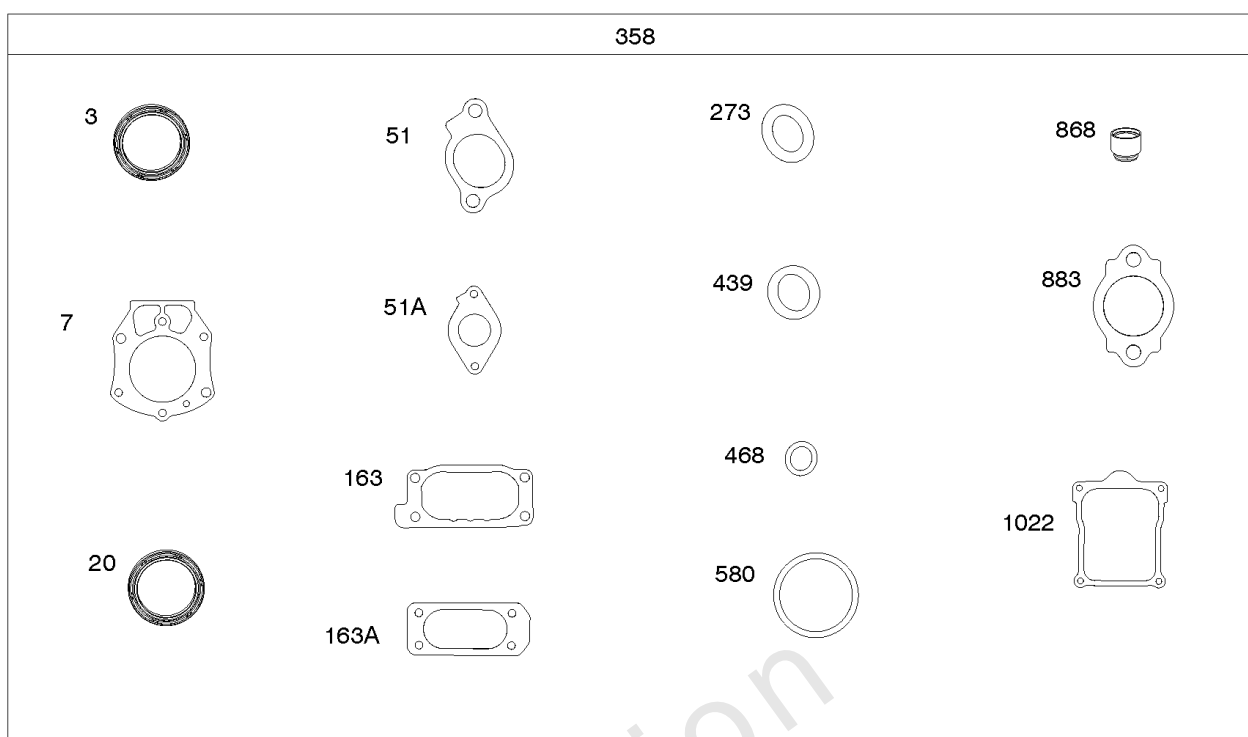
| REF NO | PART NO | QTY | DESCRIPTION |
|--------|---------|-----|--|
| 1330 | ----- | | Repair Manual -(Not Available At This Printing) |
| 1366 | 841510 | | DIVERTER, Oil Cooler |
| 1374 | 841506 | | SEAL, O-Ring -(Oil Cooler Diverter) |
| 1378 | 844795 | | SET, Washer/Nut -(Flywheel) |

Not For Reproduction



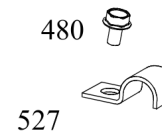
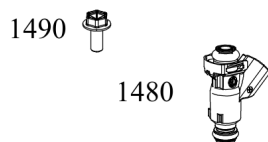
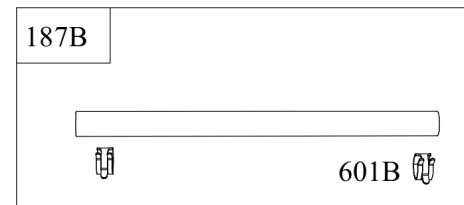
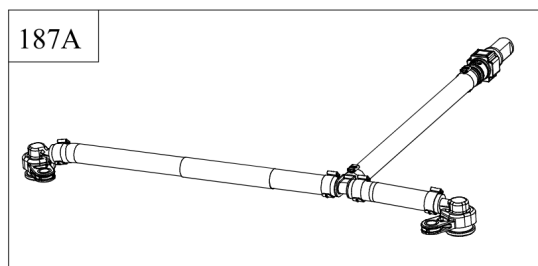
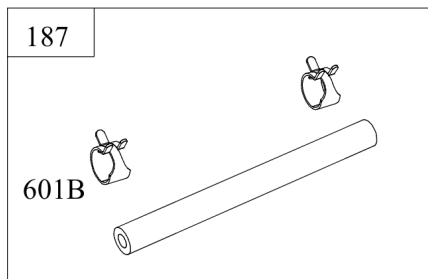
Electric Starter, Alternator, Regulator, ECM

| REF NO | PART NO | QTY | DESCRIPTION |
|---------------|----------------|------------|--|
| 309 | 845760 | | MOTOR, Starter |
| 344 | 841233 | | SCREW -(Cable Clamp) |
| 474 | 846882 | | ALTERNATOR |
| 480 | 841233 | | SCREW -(Tube Clamp) (M6x10mm) |
| 501 | 847385 | | REGULATOR |
| 526 | 690717 | | SCREW -(Regulator) (M6x30mm) |
| 527 | 690423 | | CLAMP, Tube |
| 587 | 846866 | | CLAMP, Cable |
| 697 | 690711 | | SCREW -(Starter Motor) (Drive Cap) (M8x38mm) |
| 893 | 845758 | | NUT -(Starter Solenoid) |
| 920 | 846737 | | SOLENOID, Starter |
| 1054 | 280275 | | TIE, Cable -(Clear, Nylon) |
| 1119 | 691552 | | SCREW -(Alternator) (M4x30mm) |
| 1500 | 846484 | | MODULE, Electronic Control -(Not Programmed) (Not Programmed) |
| 1510 | 841552 | | SCREW -(Electronic Control Module) (M5x20mm) |

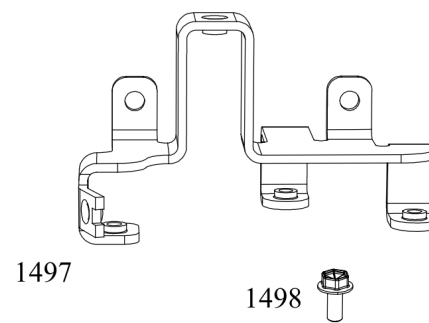
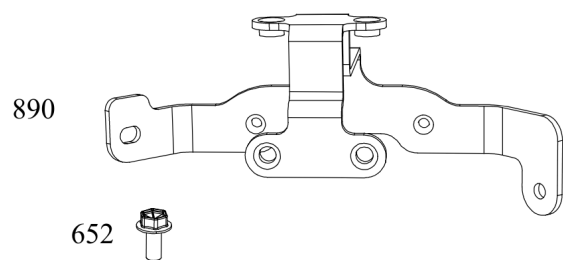
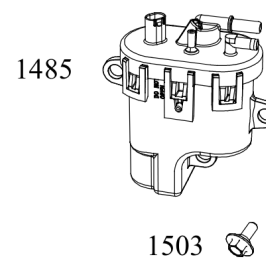
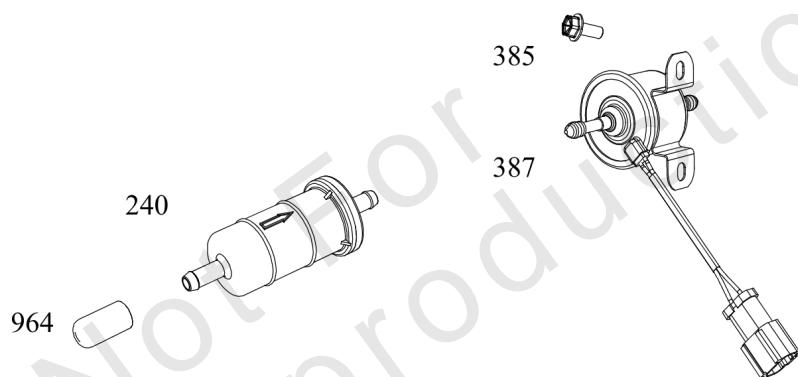


Engine Gasket Set, Valve Gasket Set

| REF NO | PART NO | QTY | DESCRIPTION |
|--------|---------|-----|--|
| 3 | 841596 | | SEAL, Oil -(Magneto Side) |
| 7 | 809730 | | GASKET, Cylinder Head |
| 20 | 841596 | | SEAL, Oil -(PTO Side) |
| 51 | 841592 | | GASKET, Intake -(Intake Manifold) |
| 51A | 846473 | | GASKET, Intake -(Intake Manifold/Throttle Body) |
| 163 | 807375 | | GASKET, Air Cleaner |
| 163A | 843117 | | GASKET, Air Cleaner |
| 273 | 690681 | | SEAL, O-Ring -(Oil Pump) |
| 358 | 846671 | | GASKET SET, Engine |
| 439 | 692154 | | O-RING, Oil Gallery -(Crankcase Cover/Sump or Cylinder Assembly) (Cylinder) |
| 468 | 690690 | | SEAL, O-Ring -(Oil Pump Screen) |
| 580 | 809894 | | SEAL, O-Ring -(Oil Fill Cap) |
| 868 | 691963 | | SEAL, Valve |
| 883 | 809872 | | GASKET, Exhaust |
| 1022 | 809732 | | GASKET, Rocker Cover |
| 1095 | 846672 | | GASKET SET, Valve |
| 1519 | 19628 | | CABLE/SOFTWARE, Diagnostic |

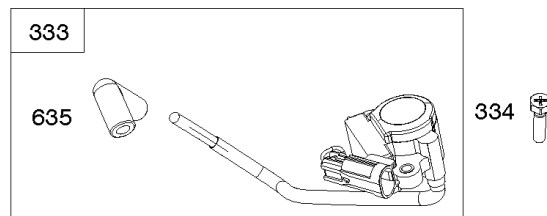
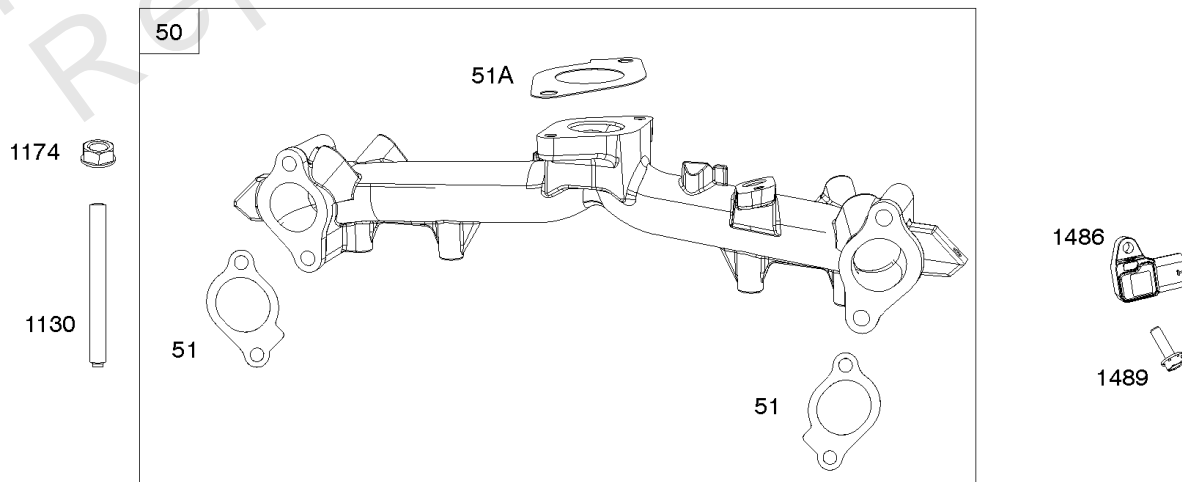
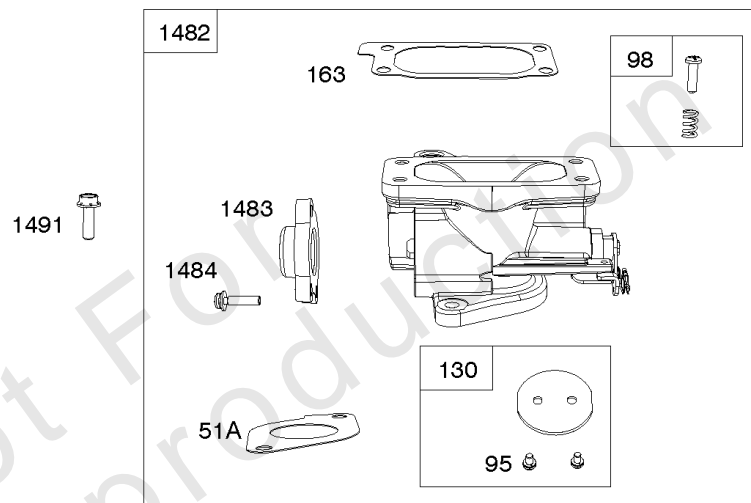
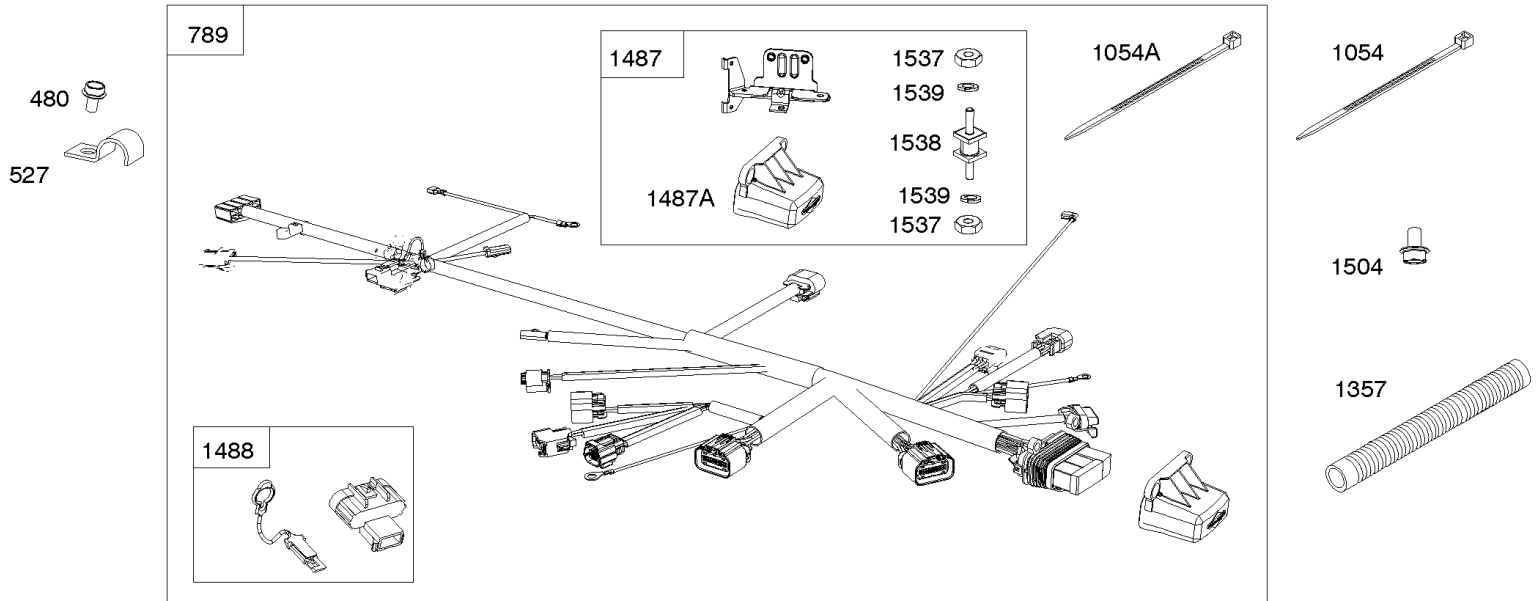


Not For
Reproduction



Fuel Pump, Fuel Module, Fuel Lines

| REF NO | PART NO | QTY | DESCRIPTION |
|--------|---------|-----|---|
| 187 | 791766 | | LINE, Fuel -(15 Inches Long)(Cut to Required Length) |
| 187A | 846475 | | LINE, Fuel |
| 187B | 791745 | | LINE, Fuel -(23 Inches)(Cut To Required Length) |
| 240 | 845125 | | FILTER, Fuel |
| 385 | 841233 | | SCREW -(Fuel Pump) (M6x10mm) |
| 387 | 846824 | | PUMP, Fuel |
| 480 | 841233 | | SCREW -(Tube Clamp) (M6x10mm) |
| 527 | 690423 | | CLAMP, Tube |
| 601B | 791850 | | CLAMP, Hose -(Green) |
| 601C | 691038 | | CLAMP, Hose -(Black) |
| 652 | 807084 | | SCREW -(Support Bracket) (M6x14mm) |
| 890 | 846506 | | BRACKET, Support |
| 964 | 590799 | | CAP, Connector |
| 1480 | 593852 | | INJECTOR, Fuel |
| 1485 | 593890 | | MODULE, Fuel |
| 1490 | 807084 | | SCREW -(Fuel Injector) (M6x14mm) |
| 1497 | 846505 | | BRACKET, Fuel Module |
| 1498 | 807084 | | SCREW -(Fuel Module Bracket) |
| 1503 | 594618 | | SCREW -(Fuel Module) (1/4-20x.5) |



Intake Manifold, Throttle Body, Ignition Coil

| REF NO | PART NO | QTY | DESCRIPTION |
|--------|---------|-----|---|
| 50 | 846503 | | MANIFOLD, Intake |
| 51 | 841592 | | GASKET, Intake -(Intake Manifold) |
| 51A | 846473 | | GASKET, Intake -(Intake Manifold/Throttle Body) |
| 95 | 593897 | | SCREW -(Throttle Valve) |
| 98 | 846817 | | KIT, Idle Speed |
| 130 | 846808 | | VALVE, Throttle |
| 163 | 807375 | | GASKET, Air Cleaner |
| 333 | 846490 | | ARMATURE, Magneto -(Cylinders 1 and 2) |
| 334 | 841552 | | SCREW -(Magneto Armature) (M5x20mm) |
| 480 | 841233 | | SCREW -(Tube Clamp) (M6x10mm) |
| 527 | 690423 | | CLAMP, Tube |
| 635 | 692076 | | BOOT, Spark Plug |
| 789 | 847440 | | HARNESS, Wiring |
| 1054 | 280275 | | TIE, Cable -(Clear, Nylon) |
| 1054A | 861206 | | TIE, Cable -(Black, Nylon) |
| 1130 | 841590 | | STUD -(Intake Manifold) |
| 1174 | 842067 | | NUT -(Intake Manifold) |
| 1357 | 846822 | | SLEEVE, Fuel Line -(Cut To Required Length) |
| 1482 | 846807 | | BODY, Throttle |
| 1483 | 593895 | | COVER, Dust |
| 1484 | 847169 | | SCREW -(Dust Cover) |
| 1486 | 593905 | | SENSOR, Temperature/Manifold Absolute Pressure (MAP) |
| 1487 | 847337 | | COVER, Fuse Kit -(Kit) |
| 1487A | 847334 | | COVER, Fuse |
| 1488 | 593899 | | COVER, Diagnostic |
| 1489 | 807435 | | SCREW -(TEMP/MAP Sensor) (TEMP/MAP Sensor) (Intake Manifold) |
| 1491 | 807435 | | SCREW -(Throttle Body) (M6x20mm) |
| 1504 | 841233 | | SCREW -(Fuse Cover) (M6x10mm) |
| 1537 | 703460 | | NUT, Hex #8-32 -(Fuse Cover) |
| 1538 | 847332 | | STUD -(Fuse Cover) |
| 1539 | 847333 | | WASHER -(Fuse Cover) (Lockwasher) |

Replacement Engine - US & Canada

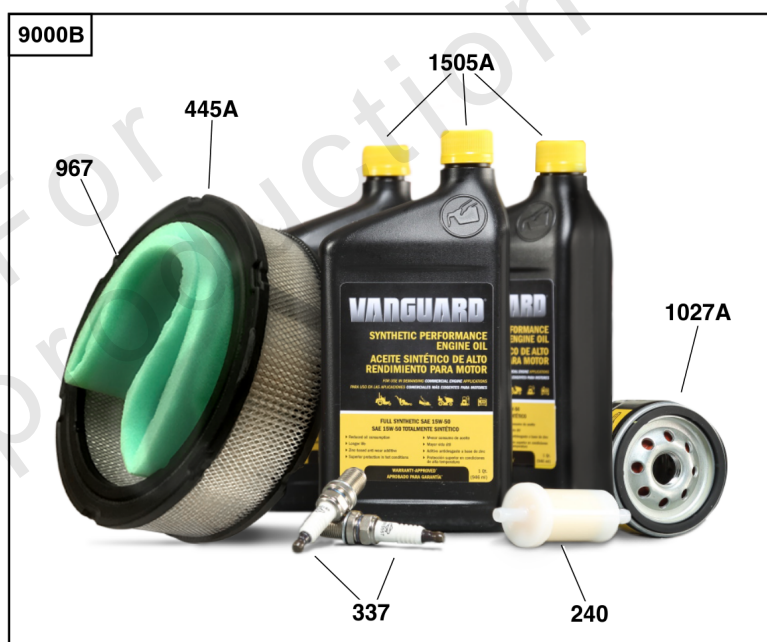
| REF NO | PART NO | QTY | DESCRIPTION |
|--------|--------------|-----|---------------------------|
| | 54E1770006J1 | 1 | Replacement Engine |
| | 790813 | 1 | Replacement Short Block |
| | ----- | | Top No-Load Speed: 3400 |
| | 80028618 | 1 | ADAPTER, Wire |
| | 1761386YP | 1 | CONNECTOR, Filter Adapter |

Not For Reproduction



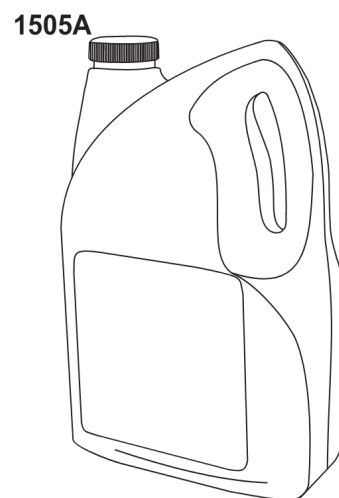
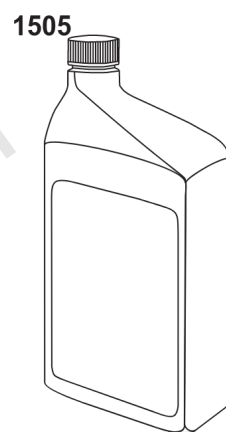
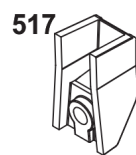
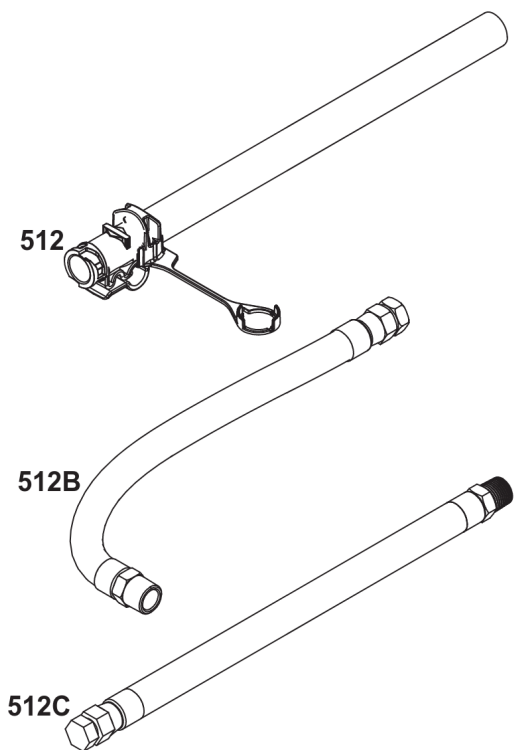
Model 54-61 Engine Accessories Catalog

Not For
Reproduction



Maintenance Kits

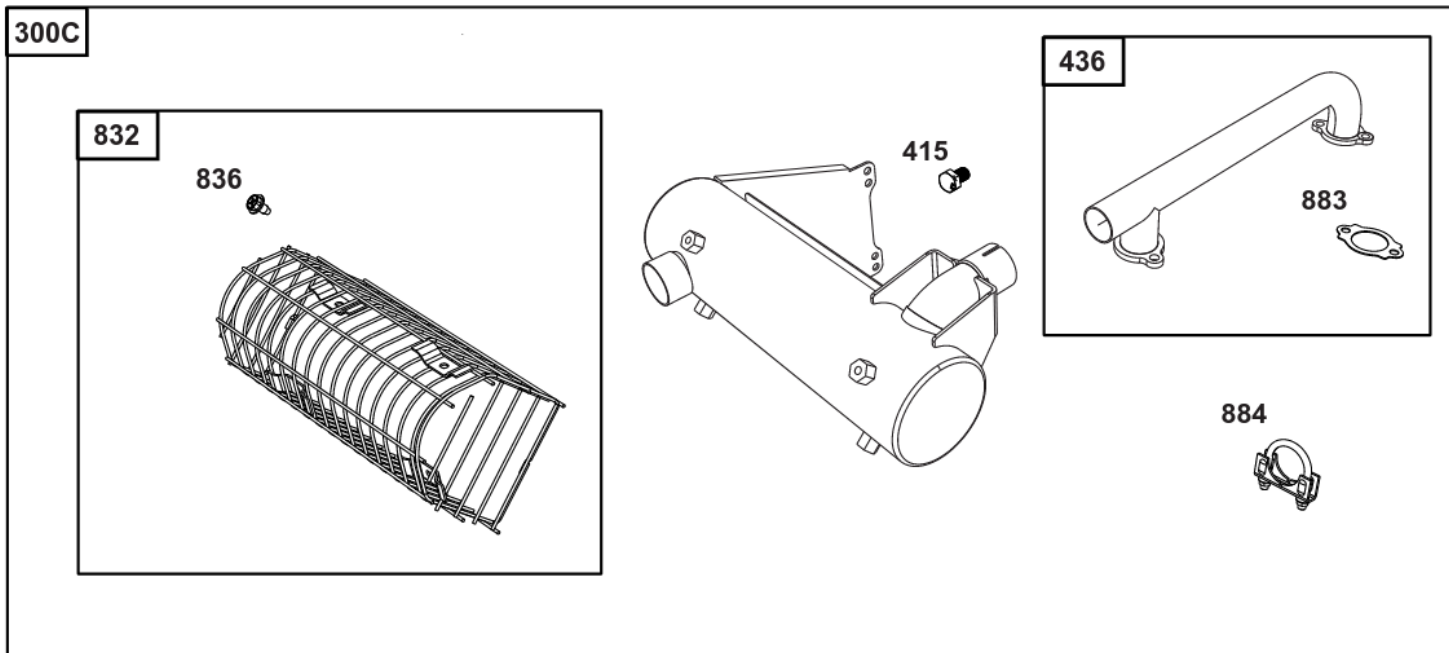
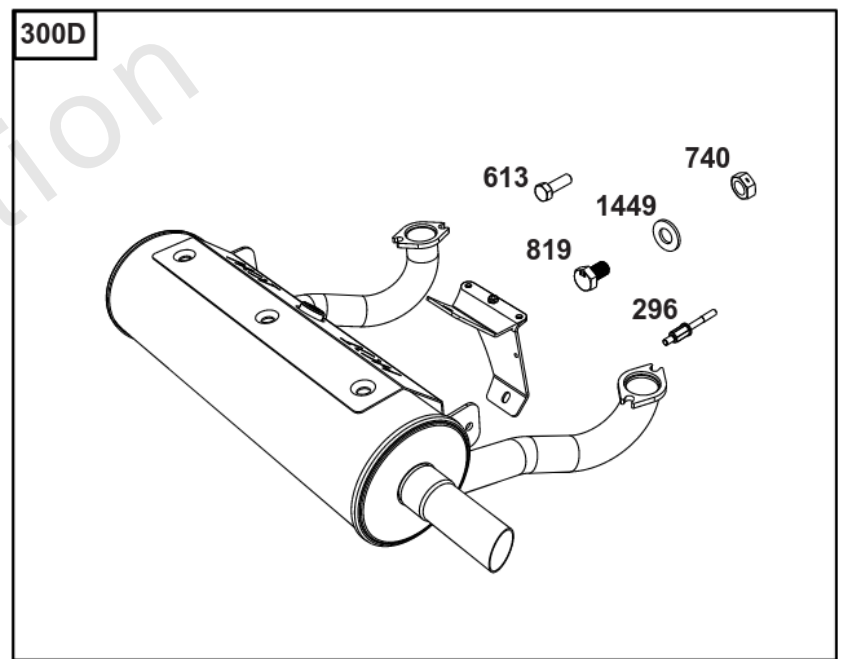
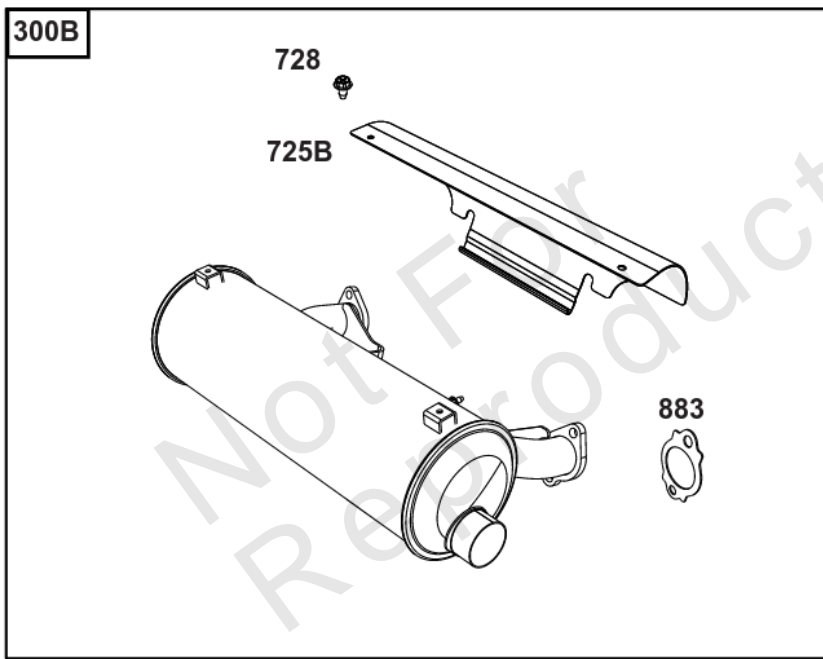
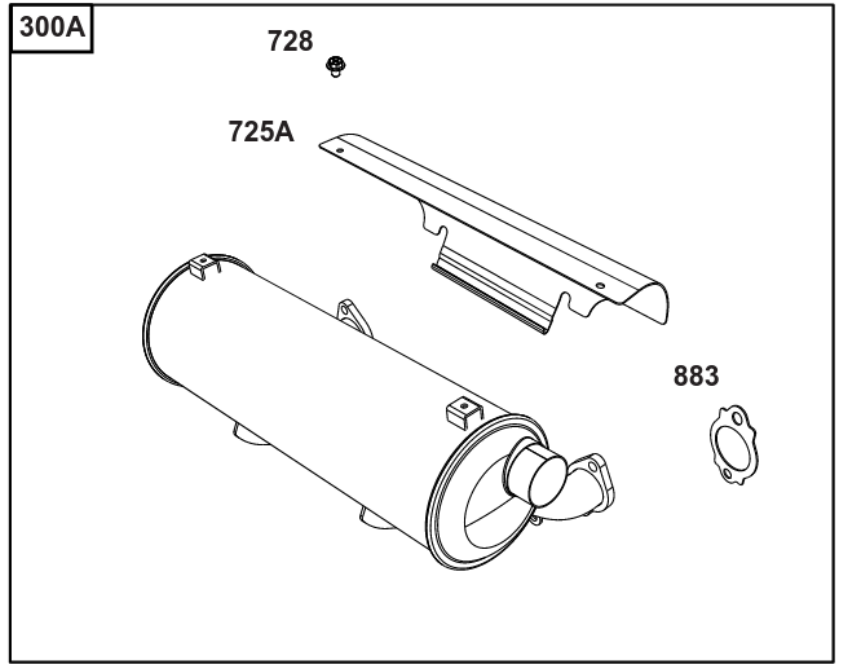
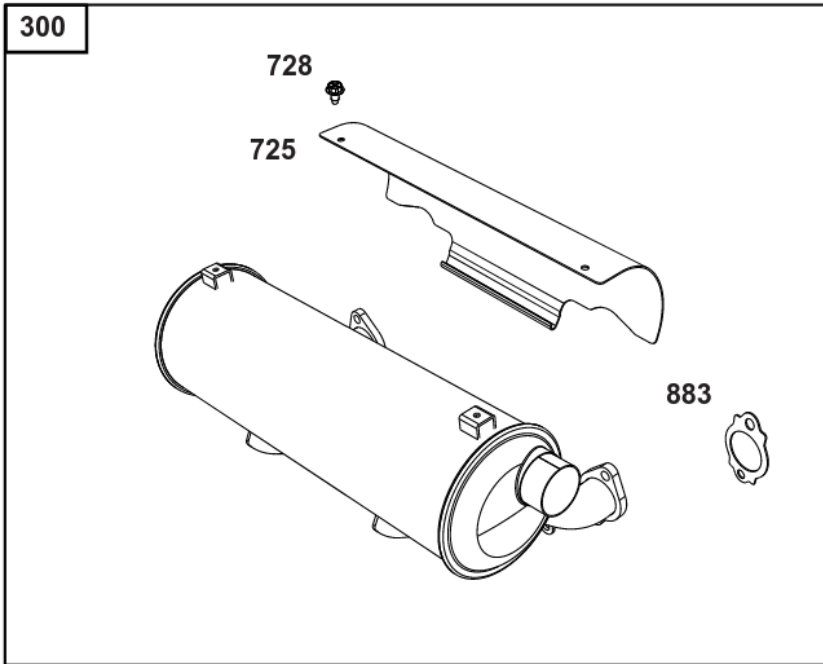
| REF NO | PART NO | QTY | DESCRIPTION |
|--------|----------|-----|--|
| 9000 | 84002318 | | KIT, Maintenance -(Oil Guard™ Engines) |
| 9000A | 84002315 | | KIT, Maintenance -(Non-Oil Guard™ Engines) |
| 9000B | 84004936 | | KIT, Maintenance -(Non-Oil Guard™ Engines) (20 - 40 HP) |
| 240 | 845125 | 1 | FILTER, Fuel |
| 337 | 491055S | 2 | PLUG, Spark |
| 445 | 841497 | 1 | FILTER, A/C Cartridge -"Professional / PXi" & "Commercial / CXi". |
| 445A | 692519 | 1 | FILTER, A/C Cartridge -"Professional / PXi" & "Commercial / CXi". |
| 967 | 692520 | 1 | FILTER, Pre Cleaner |
| 1027 | 595930 | 1 | FILTER, Oil -(Oil Guard™) |
| 1027A | 842921 | 1 | FILTER, Oil -(Vanguard®) |
| 1505 | 100170 | | OIL-5QT VANGUARD (CASE) -(5 qt Bottle) |
| 1505A | 100169 | | OIL-1QT VANGUARD (CASE) -(1 qt Bottle) |



Not For
Reproduction

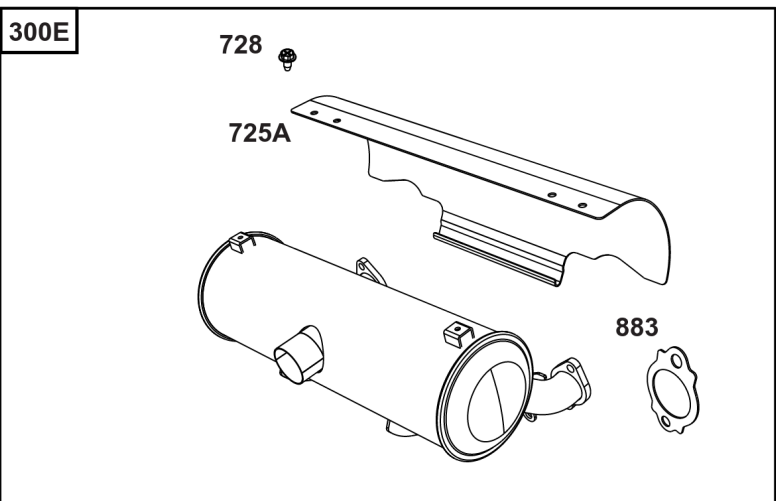
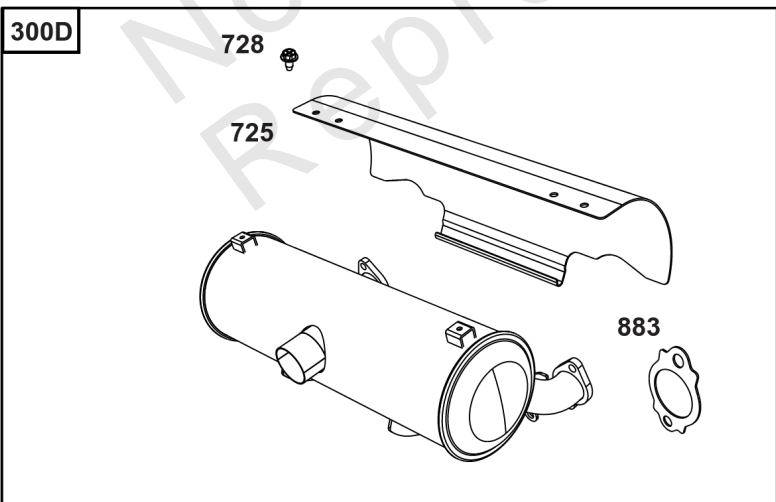
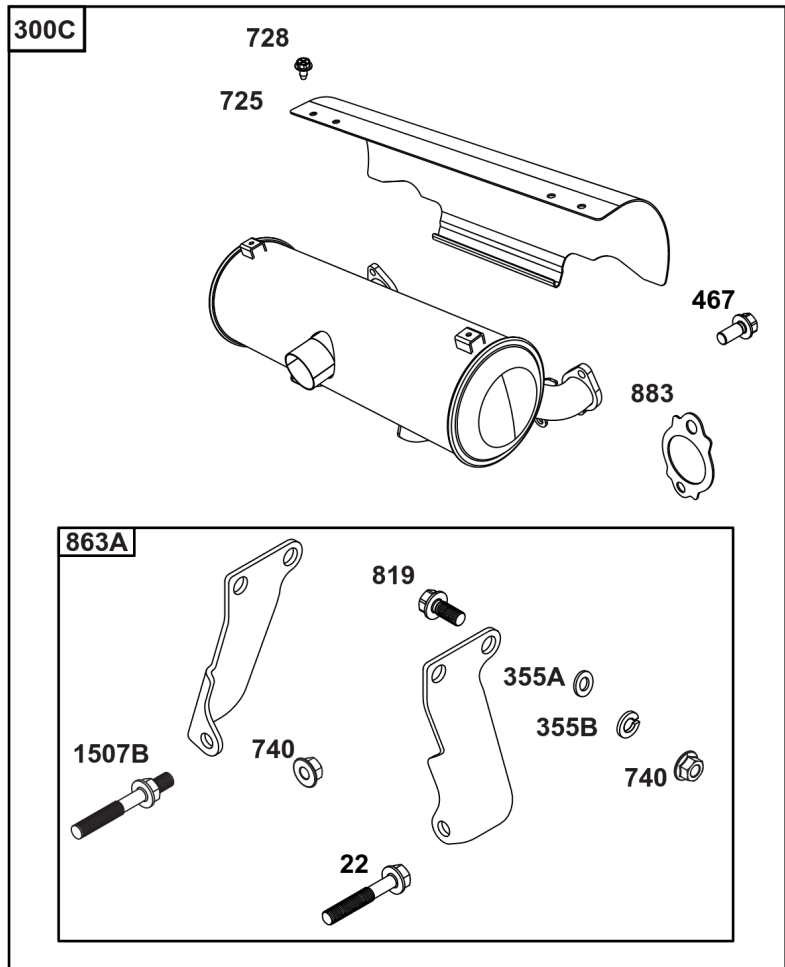
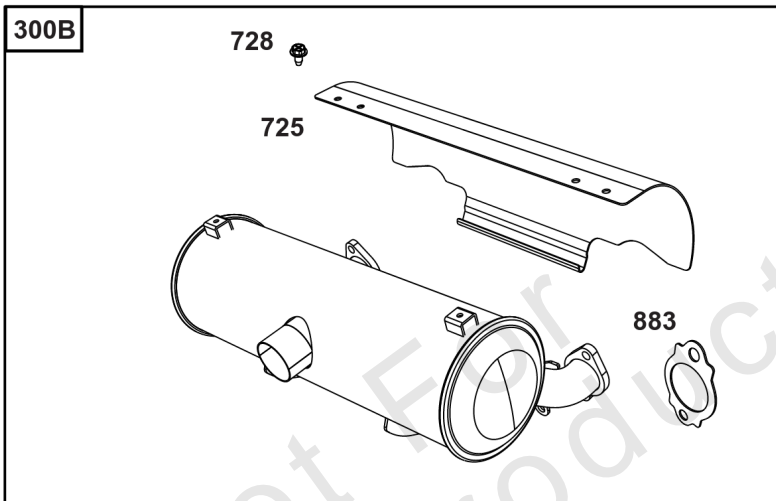
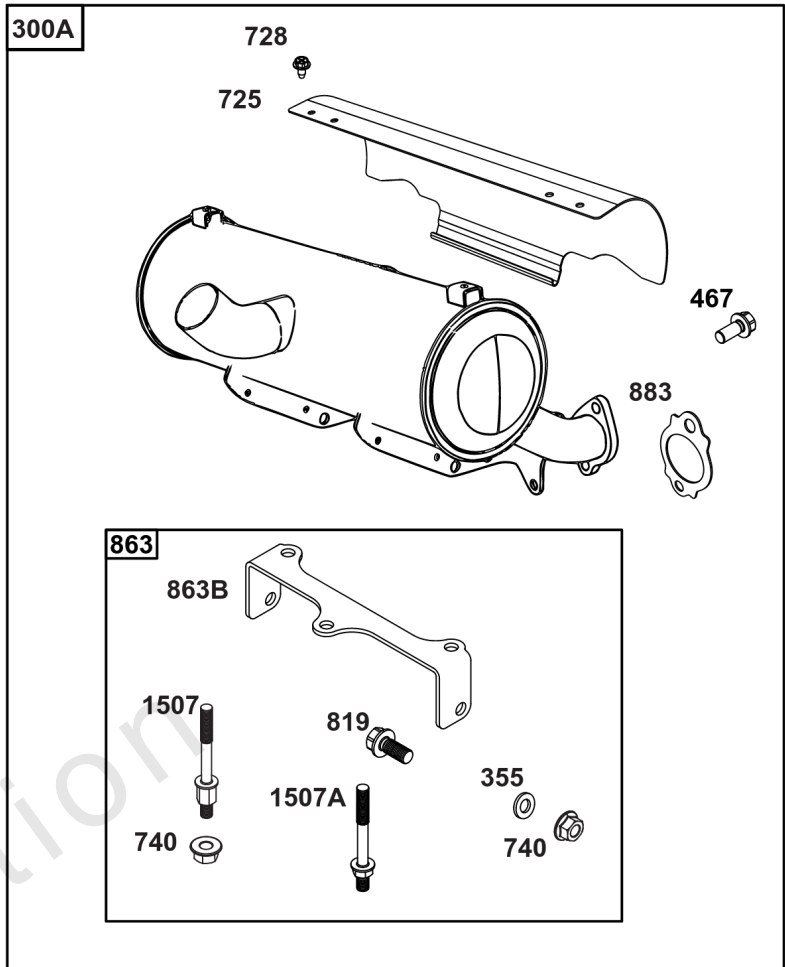
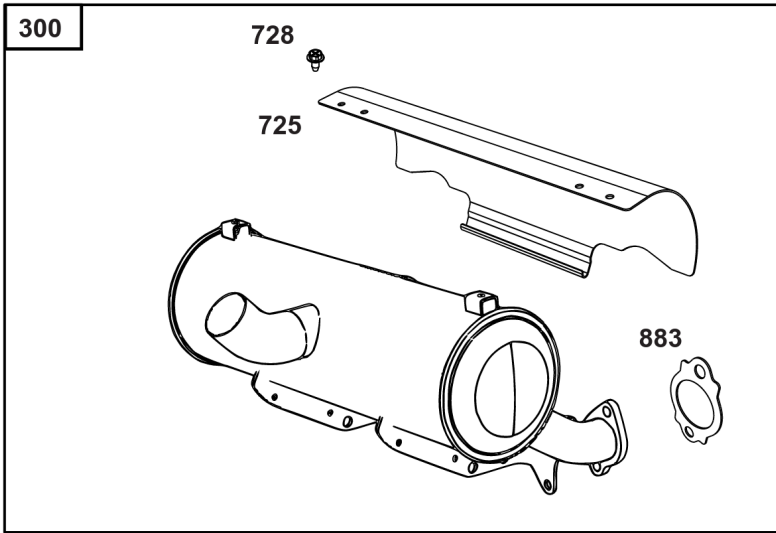
Lubrication

| REF NO | PART NO | QTY | DESCRIPTION |
|--------|-----------|-----|---|
| 186 | 796532 | 1 | CONNECTOR, Hose -(Threaded Engine Block Connector for EZ-Oil Drain Hose)(Order hose separate) |
| 239 | 690233 | 1 | SWITCH, Oil Pressure -(2-4 PSI Normally-Closed Switch) |
| 239A | 491657S | 1 | SWITCH, Oil Pressure -(3-5 PSI Normally-Closed Switch) |
| 239B | 841281 | 1 | SWITCH, Oil Pressure -(7-10 PSI Normally-Closed Switch) |
| 239C | 694115 | 1 | SWITCH, Oil Pressure -(9-13 PSI Normally-Closed Switch) |
| 239D | 697049 | 1 | SWITCH, Oil Pressure -(3-6 PSI Normally-Open Switch) |
| 460 | 1761386YP | 1 | CONNECTOR, Filter Adapter -(Oil Drain Valve) (Fitting M14, 90 Degree 9/16 JIC) |
| 460A | 5100366SM | 1 | METRIC ADAPTER, M14-1 -(Threaded engine block adapter M14 to 3/8 for EZ-Oil Drain connector) (order 796532 separate) |
| 512 | 594200 | 1 | HOSE, Oil Drain -(EZ-Oil Drain Hose, 10.5") (Order threaded engine block connector separate) |
| 512 | 593635 | 1 | HOSE, Oil Drain -(EZ-Oil Drain Hose, 13.75") (Order threaded engine block connector separate) |
| 512B | 1723165SM | 1 | HOSE, Oil Drain, 10-1/2" Long, 3/8-18 Fittings -(10.5") |
| 512C | 5048681SM | 1 | HOSE, OIL DRAIN -(12.5") |
| 517 | 593633 | 1 | RETAINER, Oil Drain |
| 1346 | 844802 | 1 | VALVE, Oil Drain Shut Off |
| 1346A | 492031 | 1 | VALVE, Oil Drain Shut Off |
| 1505 | 100169 | | OIL-1QT VANGUARD (CASE) -(1 qt. Bottle) |
| 1505A | 100170 | | OIL-5QT VANGUARD (CASE) -(5 qt. Bottle) |



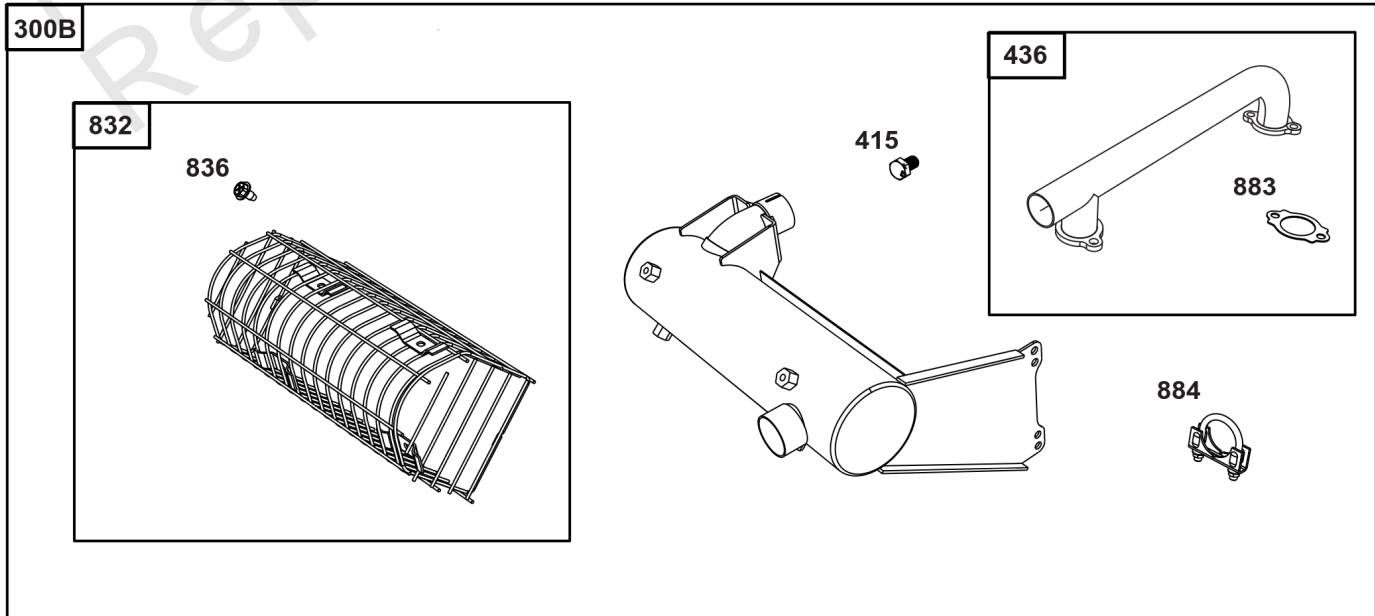
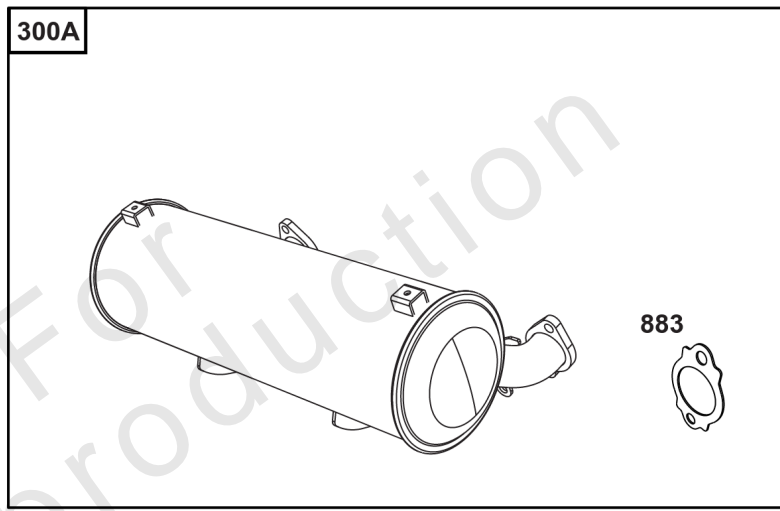
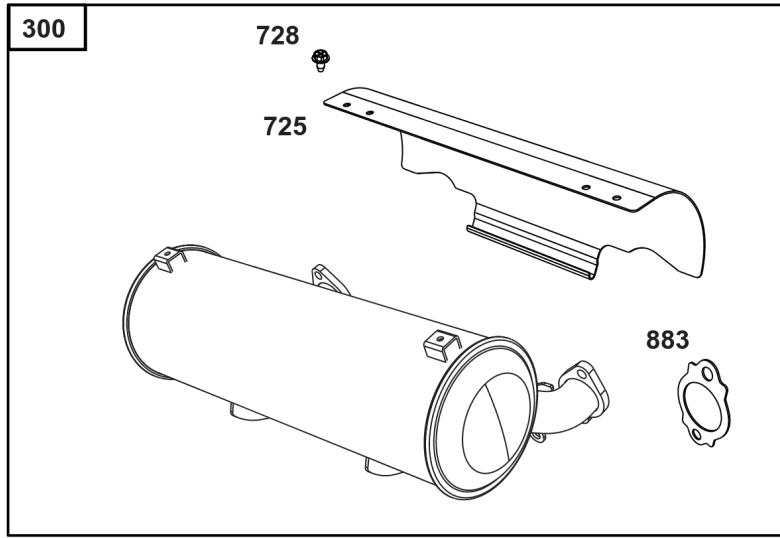
Oil Filter Side Outlet Mufflers

| REF NO | PART NO | QTY | DESCRIPTION |
|--------|-------------|-----|---|
| 296 | 844813 | 4 | STUD -(Muffler) |
| 300 | 846819 | 1 | MUFFLER -(High Mount) (Oil Filter Side Outlet) (EFI) |
| 300A | 846246 | 1 | MUFFLER -(Mid Mount) (Oil Filter Side Outlet) |
| 300B | 847486 | 1 | MUFFLER -(Mid Mount) (Oil Filter Side Outlet) (EFI) |
| 300C | 847278 | 1 | MUFFLER -(Side Mount) (Oil Filter Side Outlet) (EFI) |
| 300D | 84007299 | 1 | MUFFLER -(Vertical Shaft)(Oil Filter Side Outlet) |
| 415 | 596859 | 1 | PLUG |
| 436 | 841681 | 1 | MANIFOLD, Exhaust |
| 613 | 596859 | | PLUG -(Muffler) |
| 725 | 847229 | 1 | SHIELD, Heat |
| 725A | 844338 | 1 | SHIELD, Heat |
| 725B | 847487 | 1 | SHIELD, Heat |
| 728 | 692067 | 2 | SCREW -(Heat Shield) |
| 740 | 703164 | 2 | NUT -Muffler Bracket |
| 819 | 5025011X8SM | 2 | CAPSCREW, Hex Head, 5/16-18 X 1 -(Muffler Bracket) |
| 832 | 841682 | 1 | GUARD, Muffler |
| 836 | 841233 | 4 | SCREW -(Muffler Guard) |
| 883 | 809872 | 2 | GASKET, Exhaust |
| 884 | 841968 | 1 | CLAMP, Muffler |
| 1449 | 703350 | 4 | WASHER -(Muffler) |



Center Outlet Mufflers

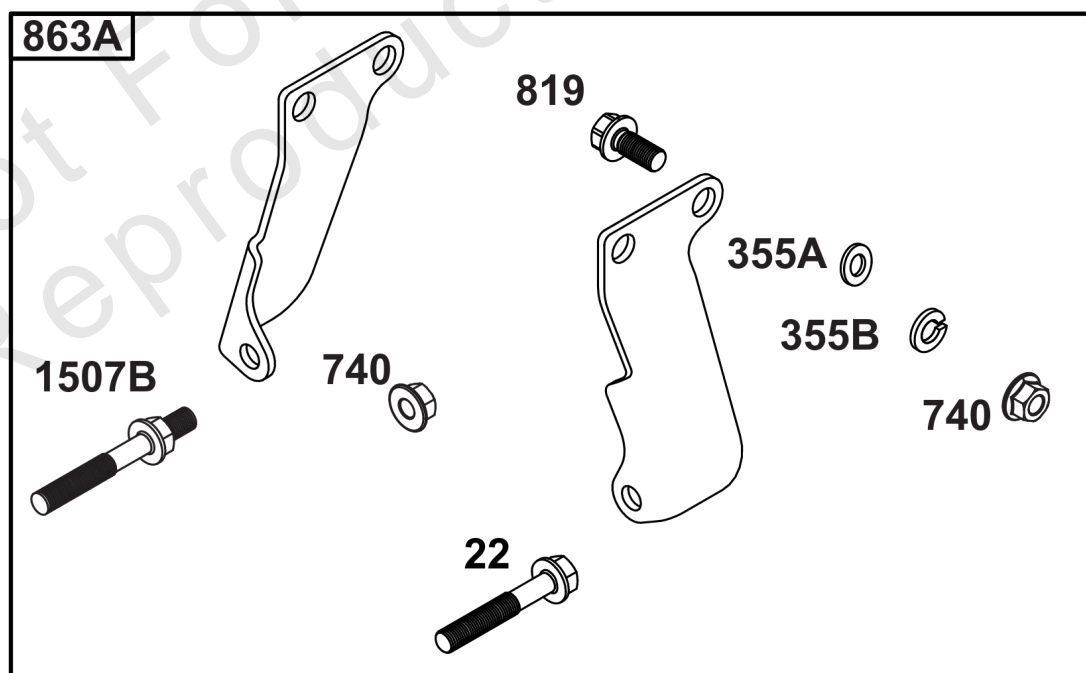
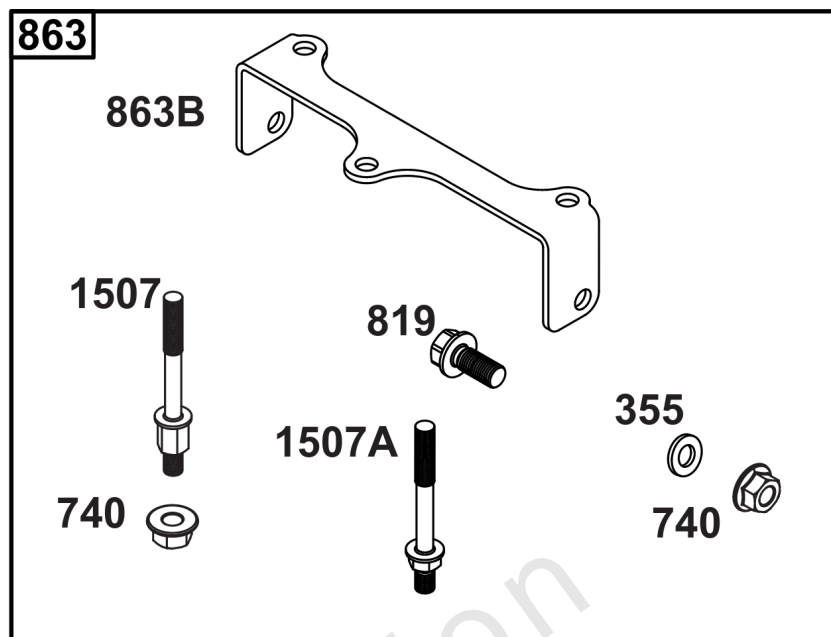
| REF NO | PART NO | QTY | DESCRIPTION |
|--------|---------|-----|--|
| 22 | 807362 | 2 | SCREW -(Muffler Bracket) |
| 300 | 846443 | 1 | MUFFLER -(Vertical Shaft) (Center Outlet) (304 Stainless Steel) |
| 300A | 847940 | 1 | MUFFLER -(Vertical Shaft) (Center Outlet) (304 Stainless Steel) (Performance Muffler for 40 HP) |
| 300B | 846154 | 1 | MUFFLER -(Horizontal Shaft) (High Mount) (Center Outlet) |
| 300C | 847922 | 1 | MUFFLER -(Horizontal Shaft) (High Mount) (Center Outlet) (304 Stainless Steel) (Performance Muffler for 40 HP) |
| 300D | 846444 | 1 | MUFFLER -(Horizontal Shaft) (High Mount) (Center Outlet) (304 Stainless Steel) |
| 300E | 847478 | 1 | MUFFLER -(Horizontal Shaft) (High Mount) (Center Outlet) (O2 Sensor Port) (EFI) |
| 355 | 844035 | 2 | WASHER -(Muffler Bracket) |
| 355A | 691261 | 2 | WASHER -(Muffler Bracket) |
| 355B | 691075 | 8 | WASHER -(Muffler Bracket) |
| 467 | 846149 | 4 | SCREW -(Exhaust Manifold) |
| 725 | 841132 | 1 | SHIELD, Heat |
| 725A | 847229 | 1 | SHIELD, Heat |
| 728 | 692067 | 2 | SCREW -(Heat Shield) |
| 740 | 690941 | 5 | NUT |
| 819 | 692062 | 2 | SCREW -(Muffler Bracket) |
| 863 | 848296 | 1 | BRACKET, Muffler |
| 863A | 843487 | 1 | BRACKET, Muffler |
| 863B | 848296 | 1 | BRACKET, Muffler |
| 883 | 809872 | 2 | GASKET, Exhaust |
| 1507 | 848297 | 1 | STUD -(Muffler Bracket) |
| 1507A | 848298 | 2 | STUD -(Muffler Bracket) |
| 1507B | 846324 | 2 | STUD -(Muffler Bracket) |



Starter Side Outlet Mufflers

| REF NO | PART NO | QTY | DESCRIPTION |
|--------|---------|-----|--|
| 300 | 845741 | 1 | MUFFLER -(High Mount) (Starter Side Outlet) |
| 300A | 847083 | 1 | MUFFLER -(Starter Side Outlet) (EFI) |
| 300B | 847279 | | MUFFLER -(Side Mount) (Starter Side Outlet) (EFI) |
| 415 | 596859 | 1 | PLUG |
| 436 | 842263 | 1 | MANIFOLD, Exhaust |
| 725 | 841132 | 1 | SHIELD, Heat |
| 728 | 692067 | 2 | SCREW -(Heat Shield) |
| 832 | 841682 | 1 | GUARD, Muffler |
| 836 | 841233 | 4 | SCREW -(Muffler Guard) |
| 883 | 809872 | 2 | GASKET, Exhaust |
| 884 | 841968 | 1 | CLAMP, Muffler |

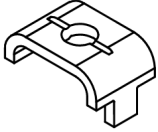
Not For Reproduction



Muffler Bracket Kits

| REF NO | PART NO | QTY | DESCRIPTION |
|--------|---------|-----|-----------------------------------|
| 22 | 807362 | 2 | SCREW -(Muffler Bracket) |
| 355 | 844035 | 2 | WASHER -(Muffler Bracket) |
| 355A | 691261 | 2 | WASHER -(Muffler Bracket) |
| 355B | 691075 | 8 | WASHER -(Muffler Bracket) |
| 740 | 690941 | 6 | NUT -(Muffler Bracket) |
| 819 | 692062 | 2 | SCREW -(Muffler Bracket) |
| 863 | 848316 | 1 | BRACKET, Muffler -(Vertical) |
| 863A | 843487 | 1 | BRACKET, Muffler -(Horizontal) |
| 863B | 848296 | 1 | BRACKET, Muffler -(Vertical) |
| 1507 | 848297 | 1 | STUD -(Muffler Bracket) |
| 1507A | 848298 | 2 | STUD -(Muffler Bracket) |
| 1507B | 846324 | 2 | STUD -(Muffler Bracket) |

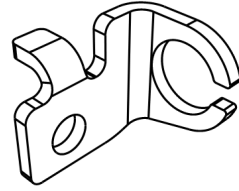
265



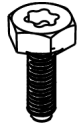
265A



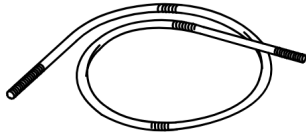
416



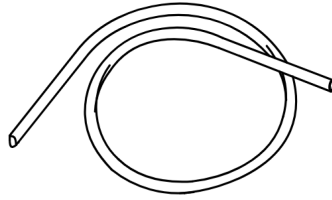
267



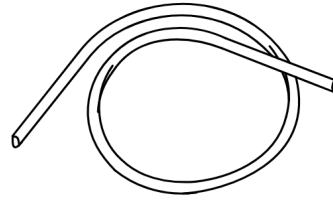
268



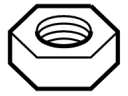
269



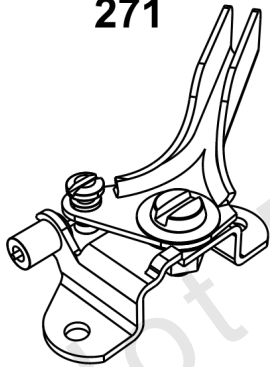
269A



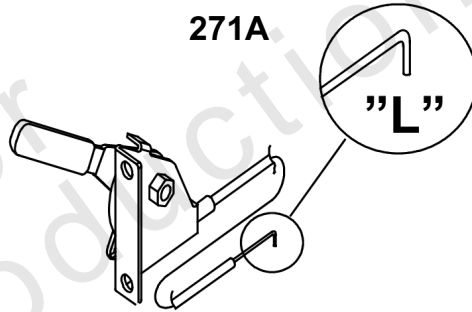
270



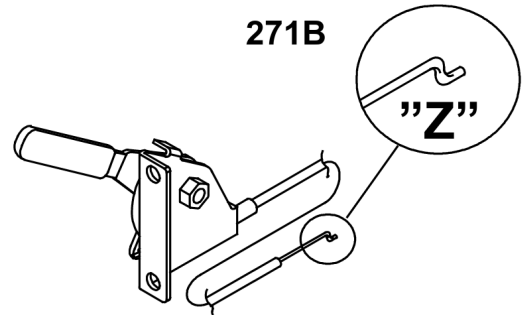
271



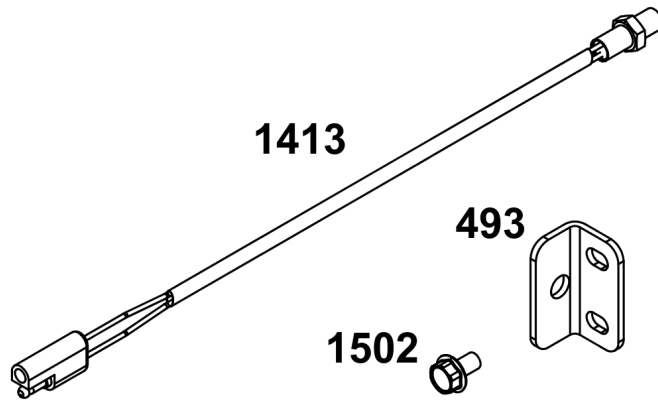
271A



271B



1413



493



1502



Speed Control

| REF NO | PART NO | QTY | DESCRIPTION |
|--------|---------|-----|---|
| 265 | 691024 | 1 | CLAMP, Casing -(Casing Clamp for Hard Casing) |
| 265A | 690798 | 1 | CLAMP, Casing -(Casing Clamp for Soft Casing) |
| 267 | 792629 | 1 | SCREW -(Screw for Casing Clamp) |
| 268 | 691025 | 1 | CASING, Control Wire -(Wire Casing 72") |
| 269 | 691026 | 1 | WIRE, Control -(Control Wire 78") |
| 269A | 93907 | 1 | WIRE, Control -(Control Wire 100") |
| 270 | 691027 | 1 | NUT -(Nut for Wire Casing) |
| 271 | 691028 | 1 | LEVER, Control |
| 271A | 692105 | 1 | LEVER, Control -(Wire with "L" formed end) |
| 271B | 692541 | 1 | LEVER, Control -(Wire with "Z" formed end) |
| 416 | 595196 | 1 | BRACKET, Throttle Cable -(Casing Clamp for Snap-In Casing) |
| 493 | 842713 | 1 | BRACKET, Mounting -(Speed Sensor) |
| 1413 | 844449 | 1 | SENSOR, Speed -(Requires 842713 Bracket and two 841233 screws) |
| 1502 | 841233 | 2 | SCREW -(Speed Sensor) |

330



853



415



1518



1616



983



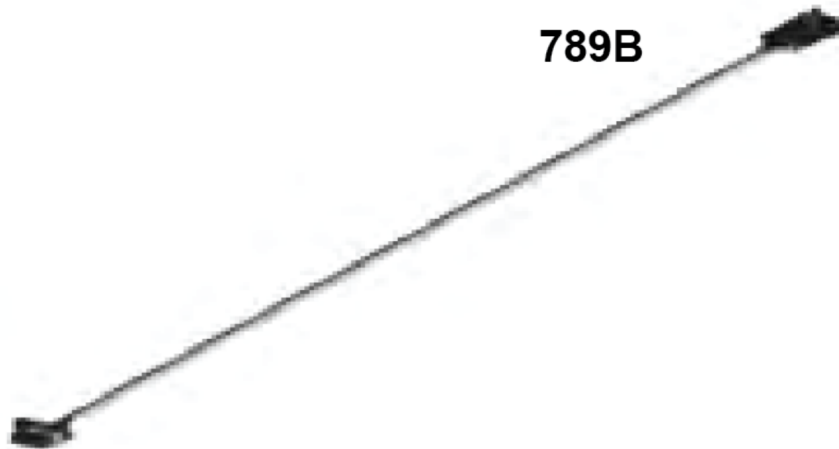
789



789A

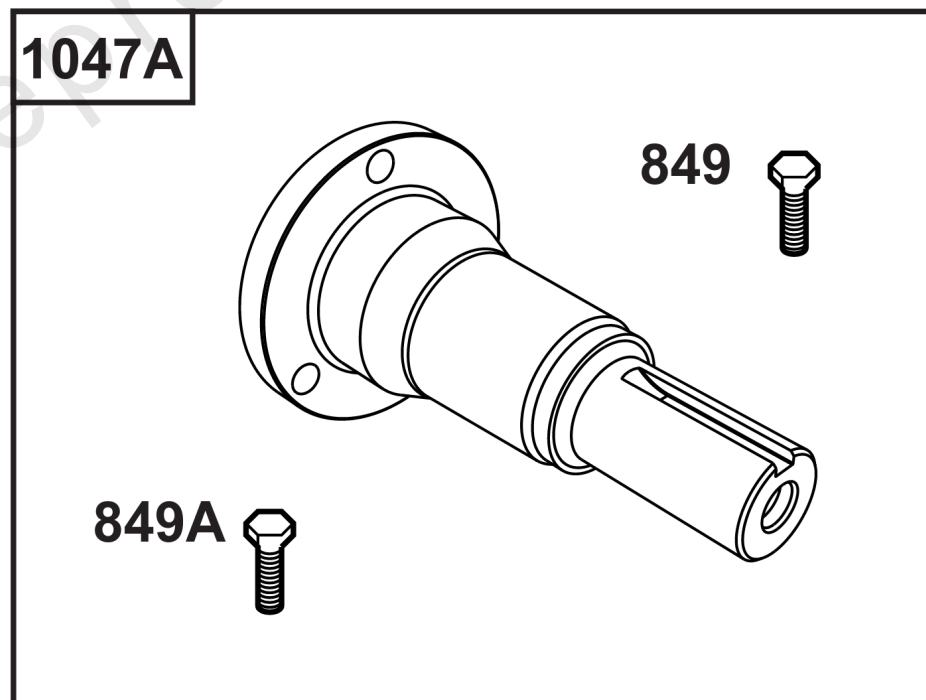
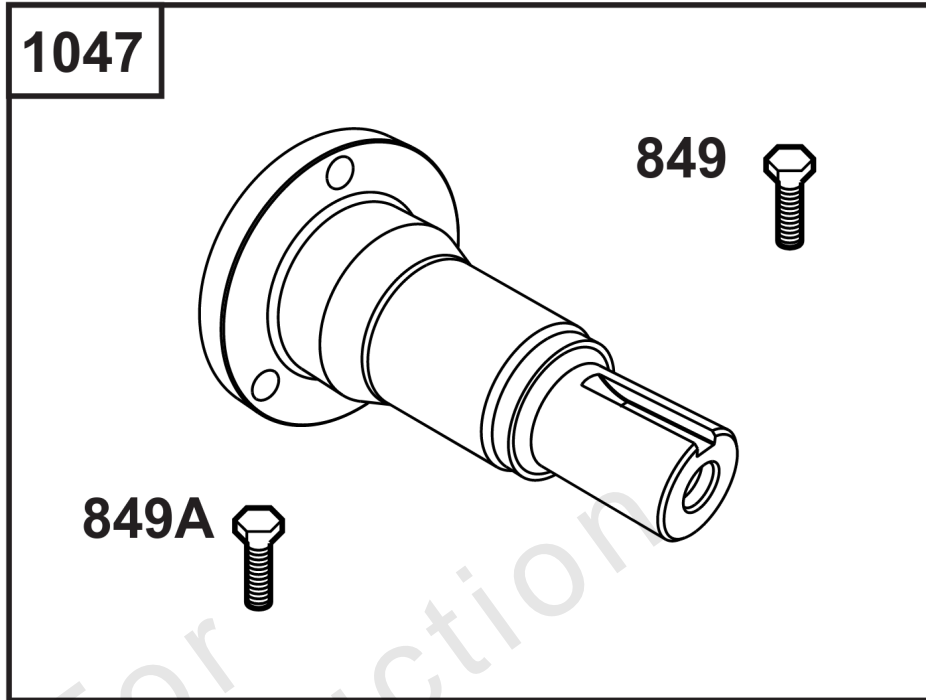


789B



Electrical

| REF NO | PART NO | QTY | DESCRIPTION |
|--------|-----------|-----|--|
| 330 | 847476 | 1 | SENSOR, Oxygen -(Extended Length O2 Sensor 23.5") |
| 415 | 1714480SM | 1 | PLUG -(Plug for Ignition Switch Removal) |
| 789 | 809967 | 1 | HARNESS, Wiring -(Wire Harness Extension 8 Pin – 22") (Use with standard key switch 692318 or water/dust resistant key switch 847448) |
| 789A | 846776 | 1 | HARNESS, Wiring -(Wire Harness Extension 6 Pin – 22") (Use with standard key switch 692318 or water/dust resistant key switch 847448) |
| 789B | 847017 | 1 | WIRE ASSEMBLY -(Wire Harness Extension for 847016 Tach 32") |
| 853 | 80028618 | 1 | ADAPTER, Wire -(Wire Harness Adapter 6 Pin to 8 Pin) |
| 983 | 5103809YP | 1 | LIGHT, Indicator -(MIL Light Indicator, LED Red) |
| 1518 | 847016 | 1 | TACHOMETER -(Tach, Hour Meter with MIL Light for EFI Engines) |
| 1616 | 19626 | 1 | CODE READER -(Tiny Scan) |

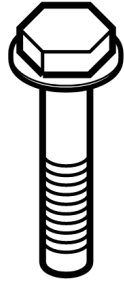


Stub Shafts

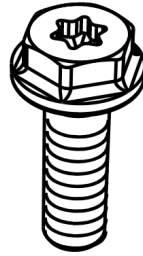
| REF NO | PART NO | QTY | DESCRIPTION |
|--------|---------|-----|---|
| 849 | 596370 | 3 | SCREW -(Stub Shaft) |
| 849A | 846235 | 3 | SCREW -(Stub Shaft) |
| 1047 | 841304 | 1 | SHAFT, Stub -(Flywheel Mounted) (1-1/8" diameter, 148 mm length) |
| 1047A | 843342 | 1 | SHAFT, Stub -(Flywheel Mounted) (1-1/8" diameter, 176 mm length) |

Not For Reproduction

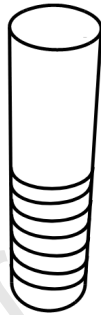
613



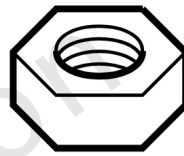
437



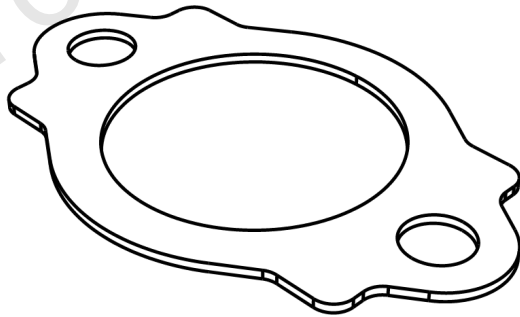
151



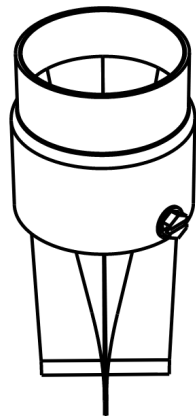
1177



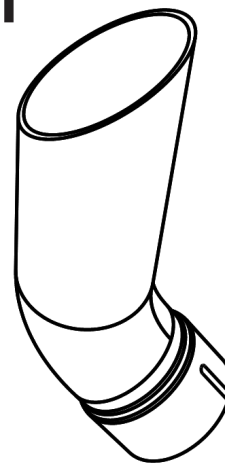
883



994



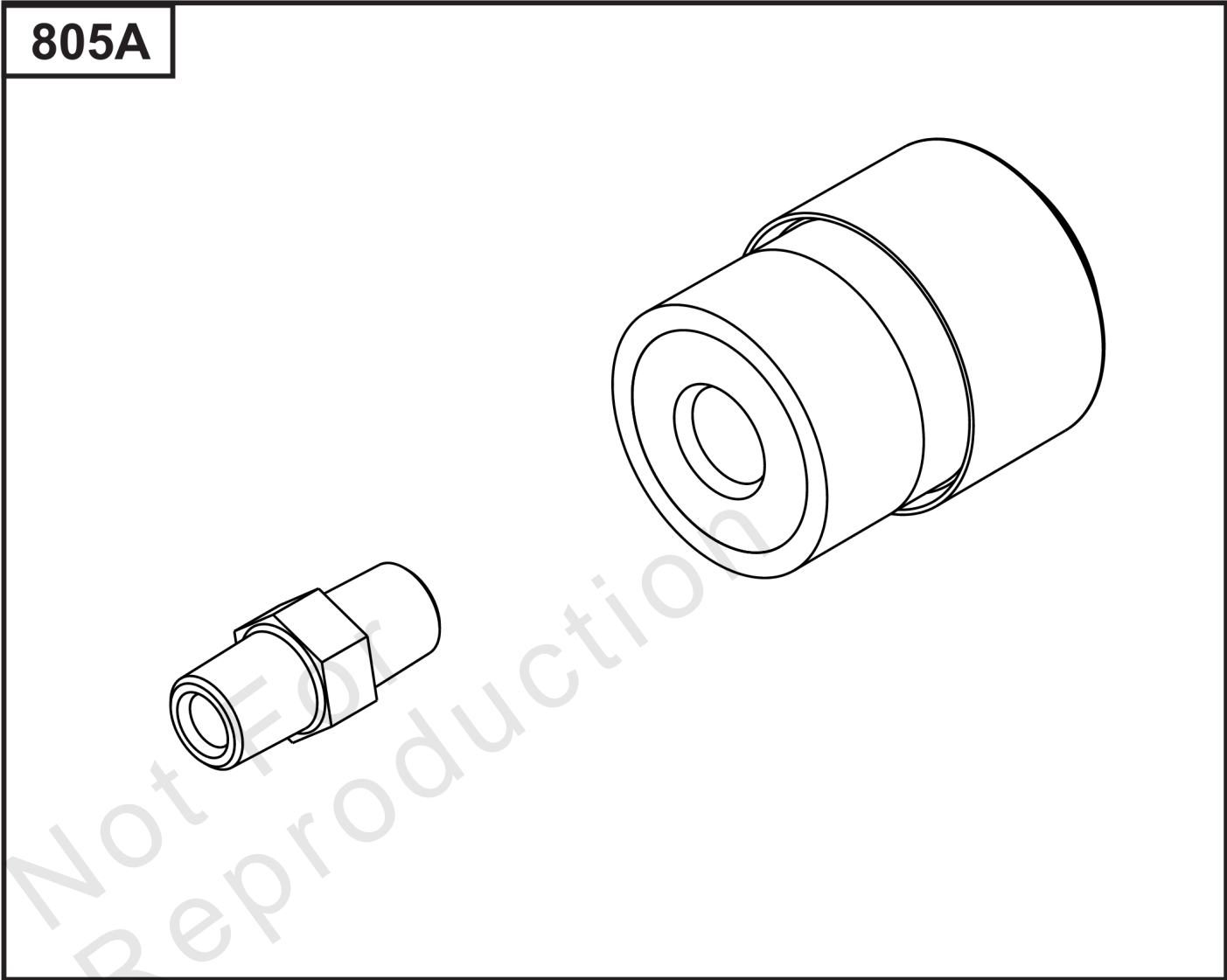
301



Spark Arrester/Deflector

| REF NO | PART NO | QTY | DESCRIPTION |
|--------|---------|-----|---|
| 151 | 841185 | 4 | STUD -(4 per engine) |
| 301 | 841518 | 1 | PIPE, Exhaust -(For 44.7 O.D. muffler outlet pipe) (Requires clamp 843624) |
| 437 | 809743 | 4 | SCREW -(M8 x 25 for Mounting Mufflers) (4 per engine) |
| 613 | 692062 | 4 | SCREW -(M8 x 18 for Mounting Mufflers) (4 per engine) |
| 883 | 809872 | 2 | GASKET, Exhaust -(2 per engine) |
| 994 | 843204 | 1 | ARRESTOR, Spark -(1.75") (44.7 mm) (O.D. Outlet Tube) |
| 1177 | 842067 | 4 | NUT -(Required if using 841185 stud) |

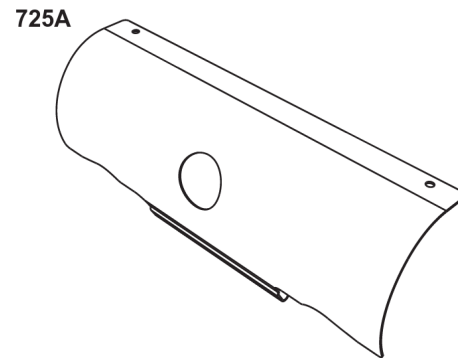
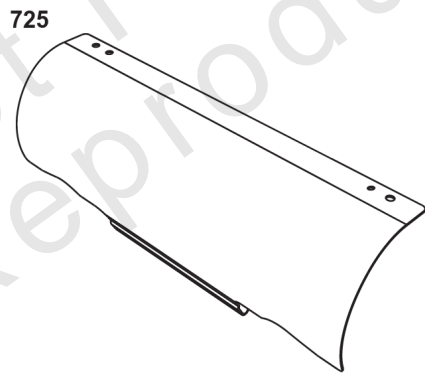
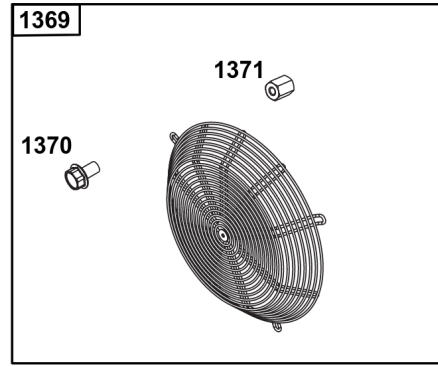
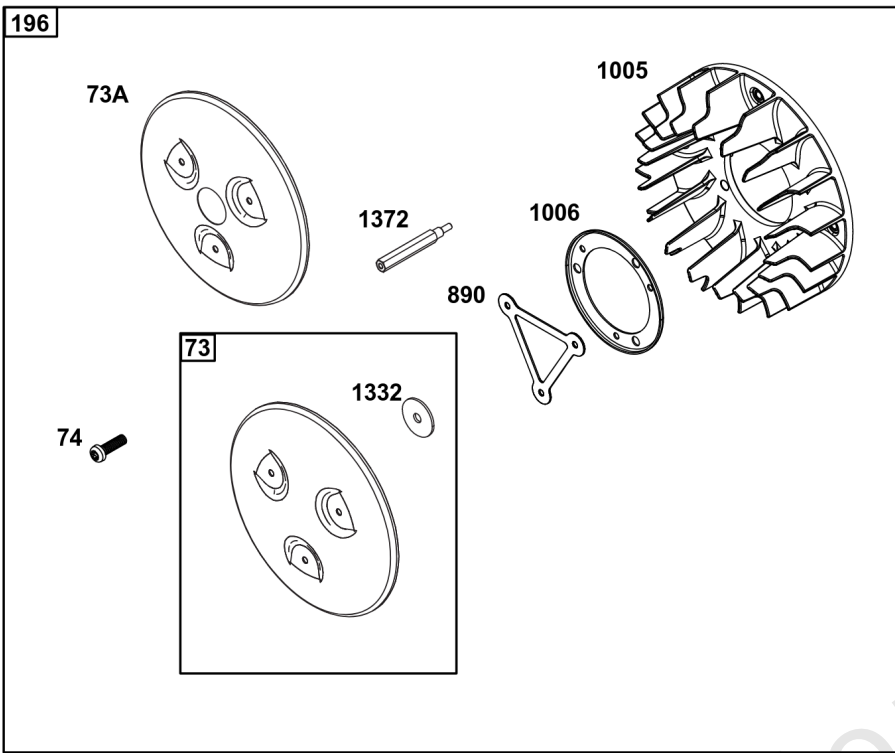
Not For Reproduction



Air Intake

| REF NO | PART NO | QTY | DESCRIPTION |
|--------|---------|-----|----------------|
| 805A | 843024 | 1 | MINDER, Filter |

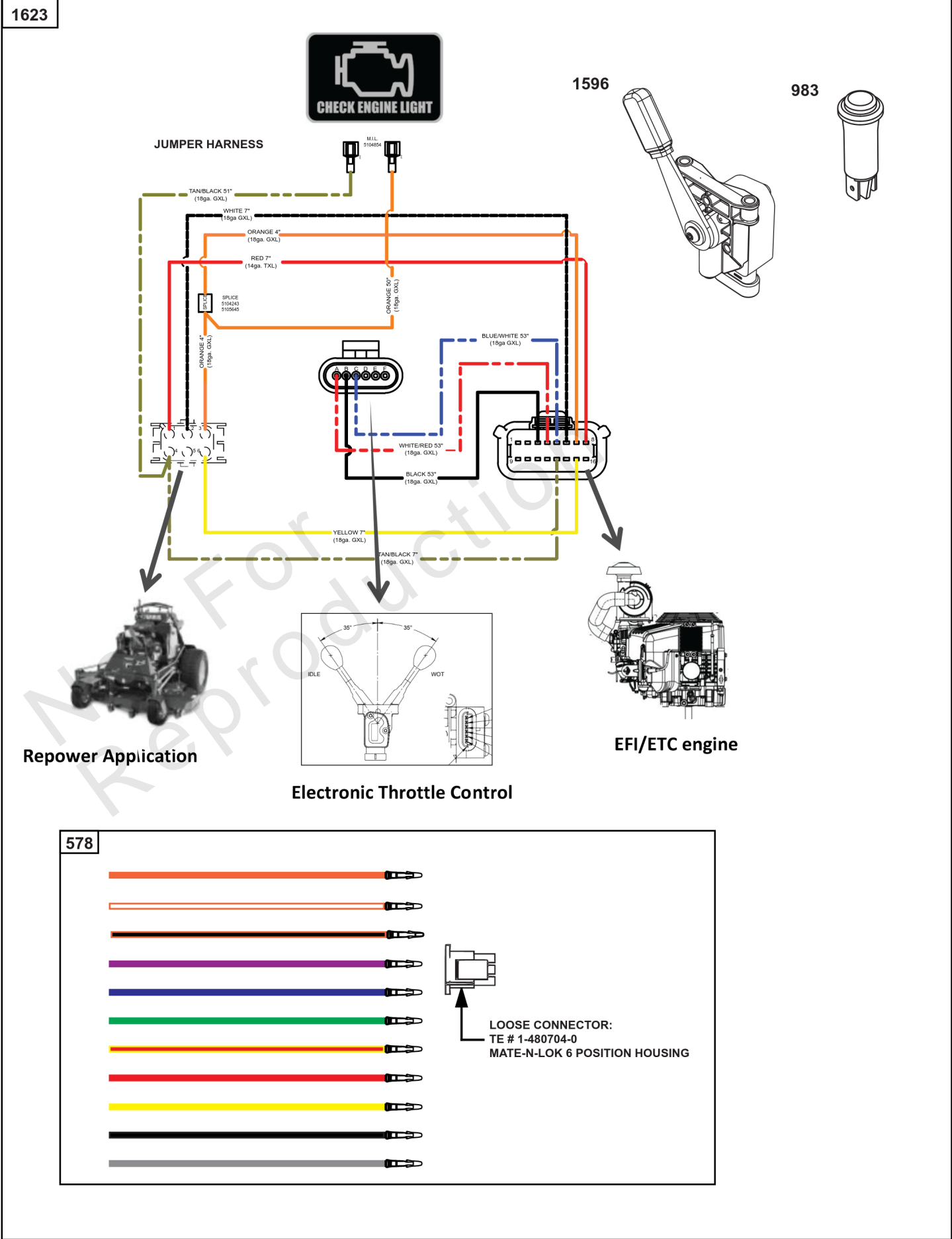
Not For Reproduction



Guarding

| REF NO | PART NO | QTY | DESCRIPTION |
|--------|---------|-----|--|
| 73 | 841840 | 1 | SCREEN, Rotating |
| 73A | 842248 | 1 | SCREEN, Rotating |
| 74 | 809947 | 3 | SCREW -(Rotating Screen) (M6x20mm) |
| 196 | 847200 | 1 | GUARD, Flywheel Fan |
| 725 | 841132 | 1 | SHIELD, Heat -(Requires 2 x 692067 Screw) |
| 725A | 847229 | 1 | SHIELD, Heat -(With 02 Sensor Hole) (EFI) |
| 890 | 809987 | 1 | BRACKET, Support |
| 1005 | 846996 | 1 | FAN, Flywheel |
| 1006 | 847198 | 1 | RETAINER, Fan |
| 1332 | 809948 | 3 | WASHER |
| 1369 | 995019 | 1 | FAN/SCREEN ASSEMBLY |
| 1370 | 841233 | 4 | SCREW -(Flywheel Fan Guard) |
| 1371 | 841537 | 4 | NUT -(Flywheel Fan Guard) |
| 1372 | 809946 | 3 | STUD |

Not For Reproduction



Electronic Throttle Kit

| REF NO | PART NO | QTY | DESCRIPTION |
|---------------|----------------|------------|---|
| 578 | 84007350 | 1 | WIRE ASSEMBLY |
| 983 | 5103809YP | 1 | LIGHT, Indicator |
| 1596 | 84007271 | 1 | LEVER, Electronic Throttle |
| 1623 | 84008670 | 1 | KIT, Throttle Assembly -(Analog Electronic Throttle Control) |

Not For Reproduction

