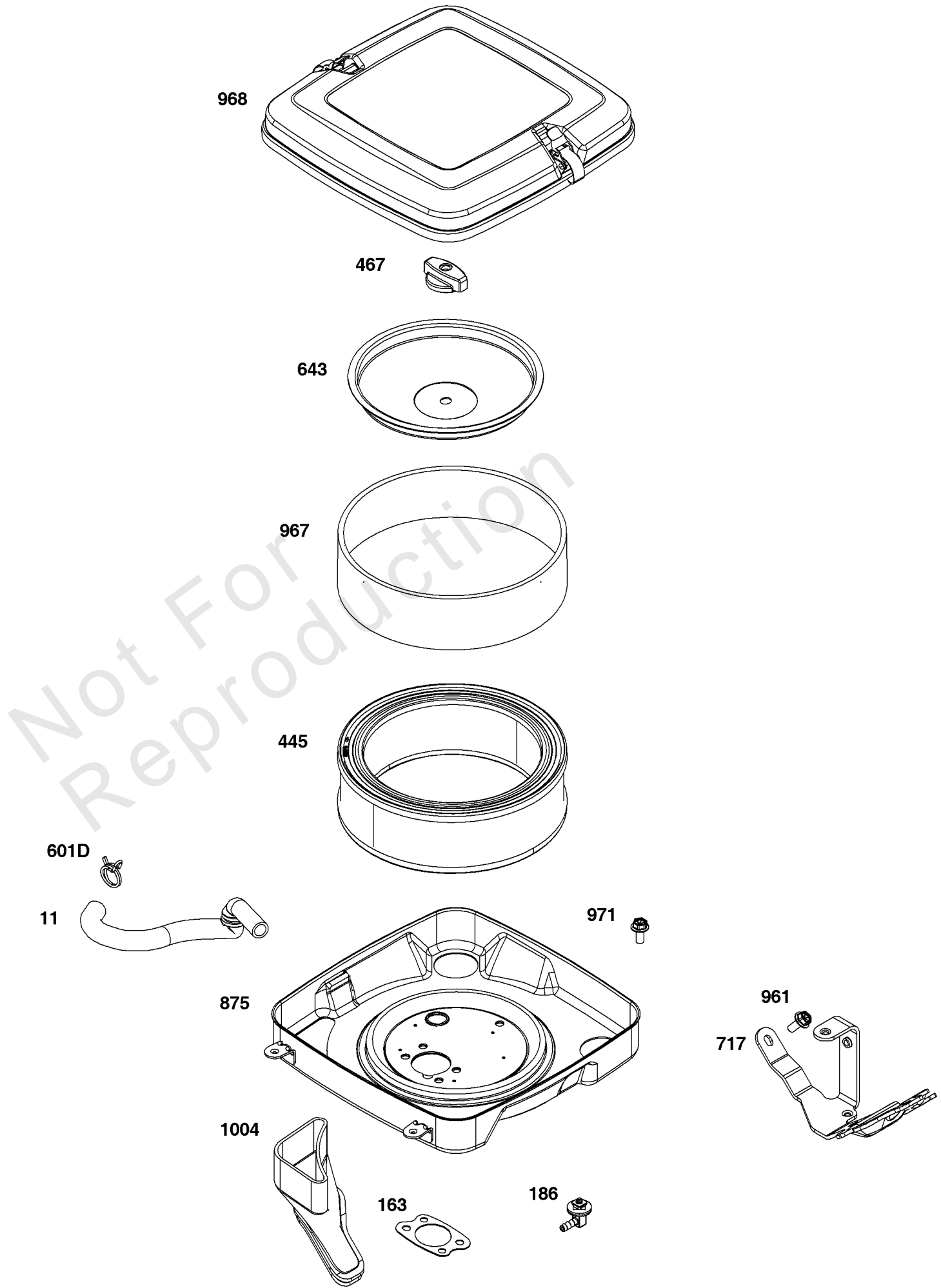




Parts Manual

Mfg. No: 38E347-0003-G1

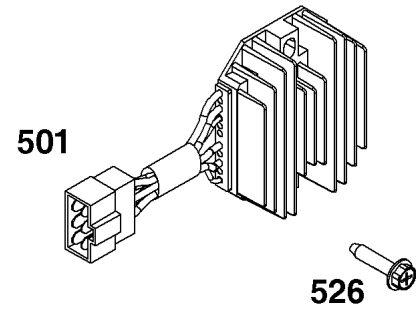
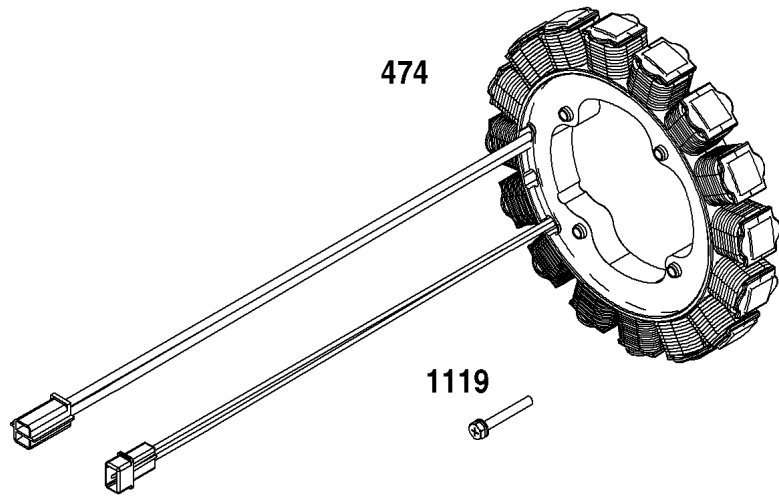
Model Components	Page
Air Cleaner Group.....	4
Alternator Group.....	6
Blower Housing Group.....	8
Controls Group.....	10
Crankcase Cover and Lubrication Group.....	12
Crankshaft Group.....	14
Cylinder Group.....	16
Cylinder Head Group.....	18
Flywheel, Ignition, and Starter Group.....	20
Throttle Body and Fuel Supply Group.....	22
Model 29, 30, 35 & 38 Engine Accessories Catalog.....	24
Maintenance Kits.....	25
Lubrication.....	27
Starter Motor Side Outlet Mufflers.....	29
Oil Filter Side Outlet Mufflers.....	31
Oil Filter Side Outlet Manifolds.....	33
Starter Motor Side Outlet Manifolds.....	35
Mufflers.....	37
Center Outlet Mufflers.....	39
Muffler Guards and Shields.....	41
Spark Arrestors and Deflectors.....	43
Muffler Mounting Hardware.....	45
Flywheel and Air Intake Guards.....	47
PTO.....	49
Electrical.....	51
Speed Control.....	53



Air Cleaner Group

REF NO	PART NO	QTY	DESCRIPTION
11	844976	1	TUBE, Breather
163	692081	1	GASKET, Air Cleaner -(Air Cleaner)
186	845141	1	CONNECTOR, Hose
445	394018S	1	FILTER, A/C Cartridge
467	846431	1	KNOB, Air Cleaner Cover
601D	691145	1	CLAMP, Hose
643	844932	1	RETAINER, Air Cleaner
717	847140	1	BRACKET, Air Cleaner
875	847896	1	BASE, Air Cleaner
961	807084	5	SCREW -(Air Cleaner Base to Air Cleaner Bracket)
967	272490S	1	FILTER, Pre Cleaner
968	699959	1	COVER, Air Cleaner
971	807084	5	SCREW -(Air Cleaner Base to Carburetor/Throttle Body)
1004	847339	1	DUCT, Air

Not For Reproduction



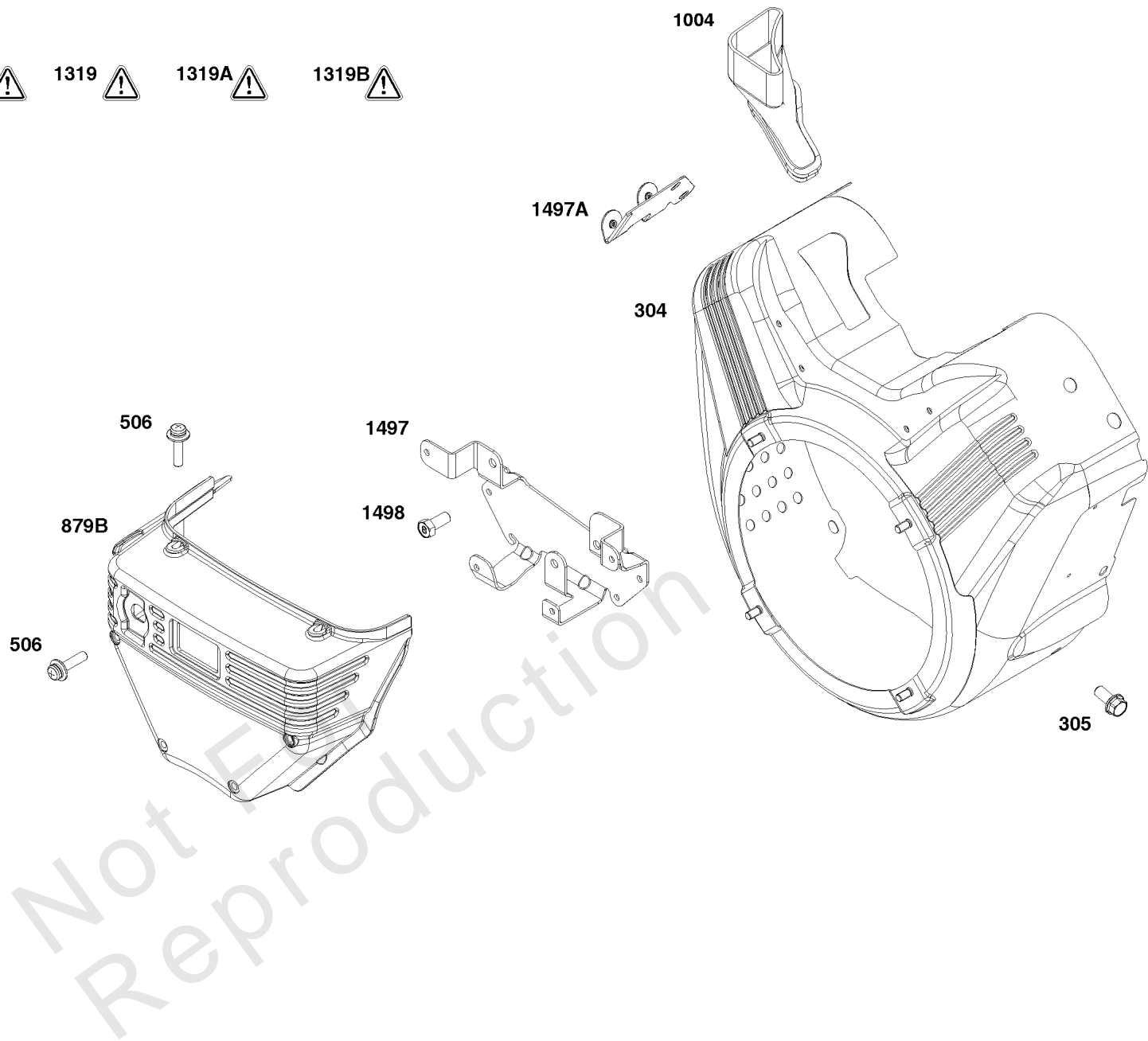
Not For
Reproduction

Alternator Group

REF NO	PART NO	QTY	DESCRIPTION
474	847135	1	ALTERNATOR
1119	691552	4	SCREW -(Alternator)
501	846929	1	REGULATOR
526	691547	2	SCREW -(Regulator) (M6x28mm)

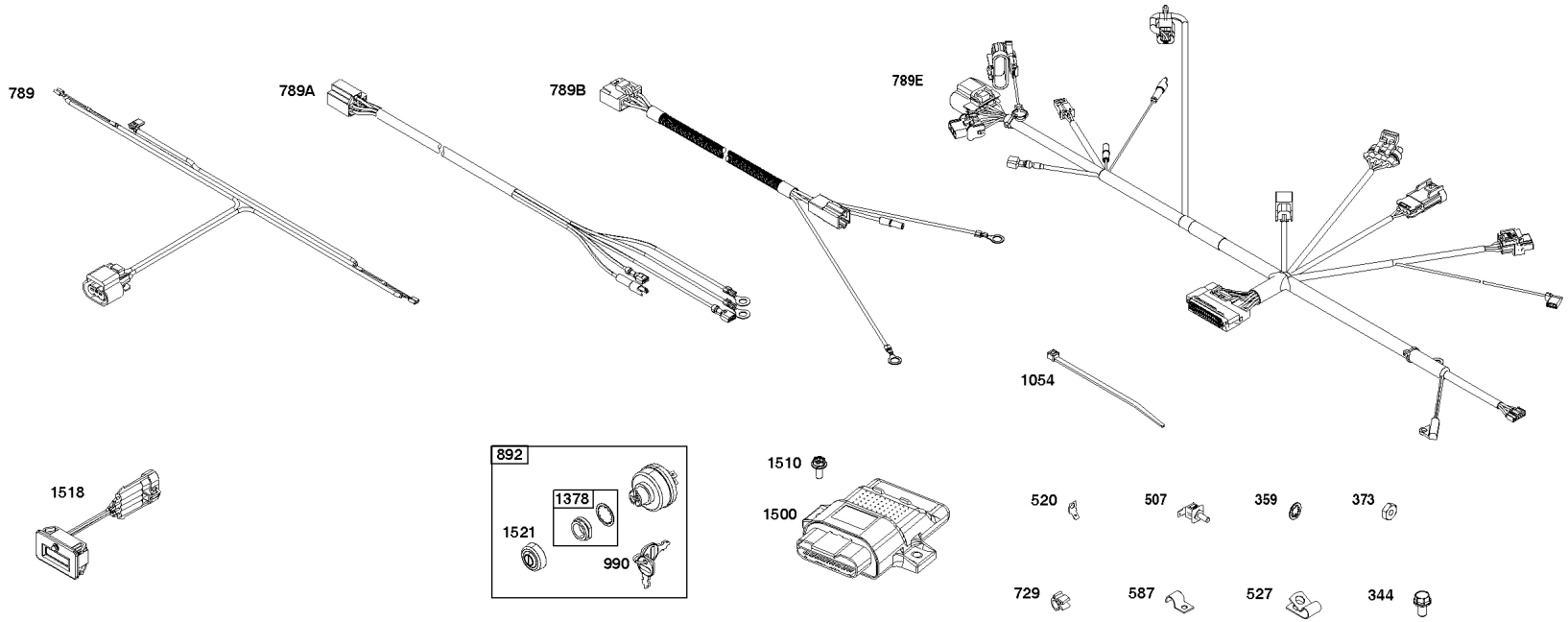
Not For Reproduction

1036 ⚠ 1319 ⚠ 1319A ⚠ 1319B ⚠



Blower Housing Group

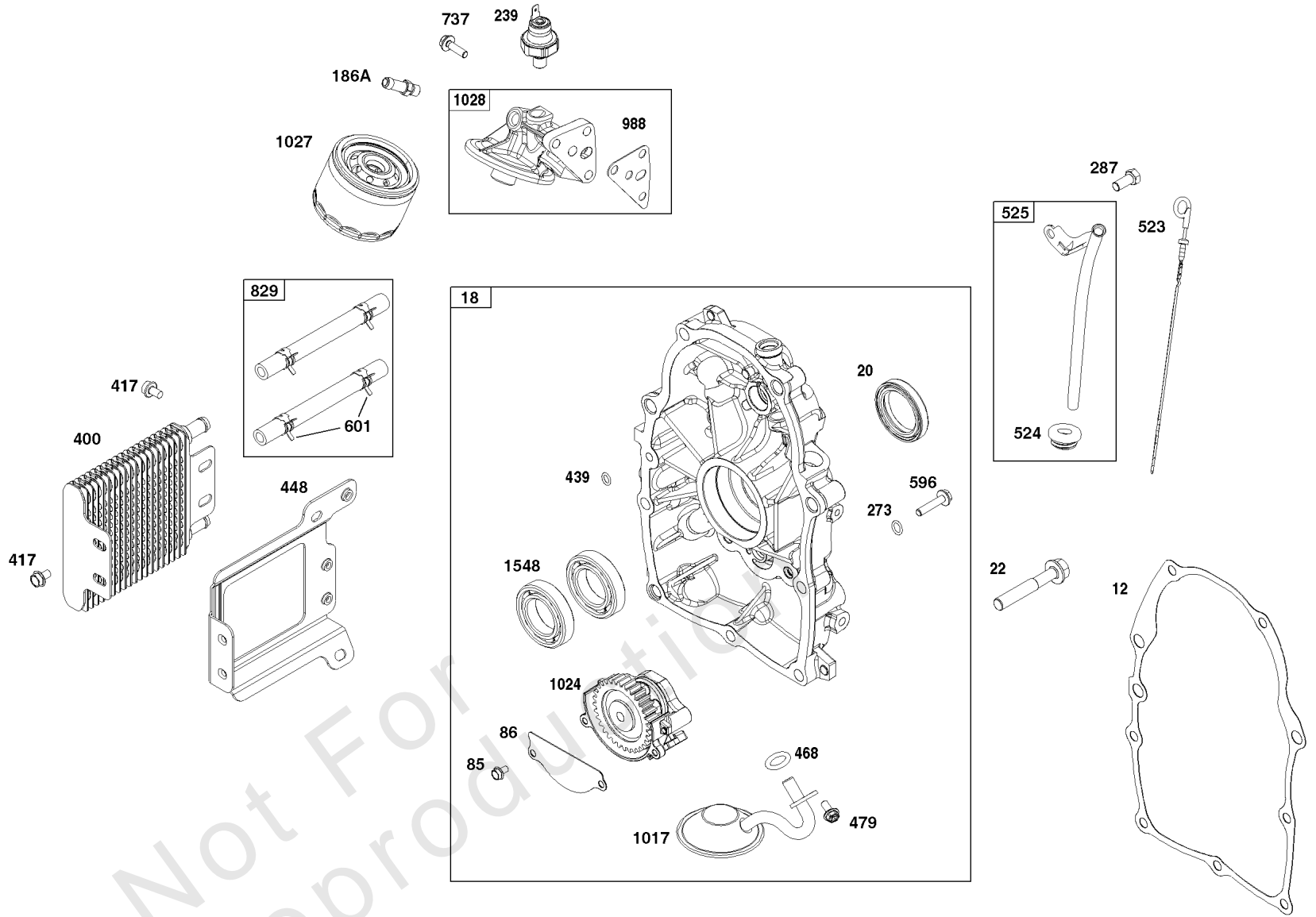
REF NO	PART NO	QTY	DESCRIPTION
304	847615	1	HOUSING, Blower
305	692056	4	SCREW -(Blower Housing)
506	807120	8	SCREW
879B	847943	1	COVER, Carburetor/EFI
1004	-----	1	DUCT, Air -(Part information located in Air Cleaner Group.)
1036	-----		LABEL, Emissions -(Available from a Briggs & Stratton Authorized Dealer)
1319	794467		LABEL, Warning -(REQUIRED When Replacing Parts With Warning Labels Affixed)
1319A	797669		LABEL, Warning -(REQUIRED When Replacing Parts With Warning Labels Affixed)
1319B	278911GS		LABEL, Warning -(REQUIRED When Replacing Parts With Warning Labels Affixed)
1497	JUMPTO1497	1	BRACKET, Fuel Module -(Part information located in Carburetor Group.)
1497A	84003014	1	BRACKET, Fuel Module
1498	JUMPTO1497	4	BRACKET, Fuel Module -(Part information located in Carburetor Group.)



Not For
Reproduction

Controls Group

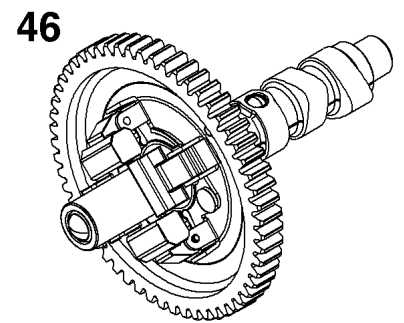
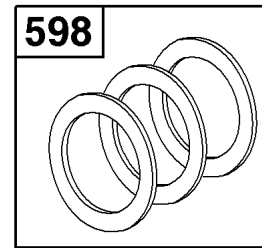
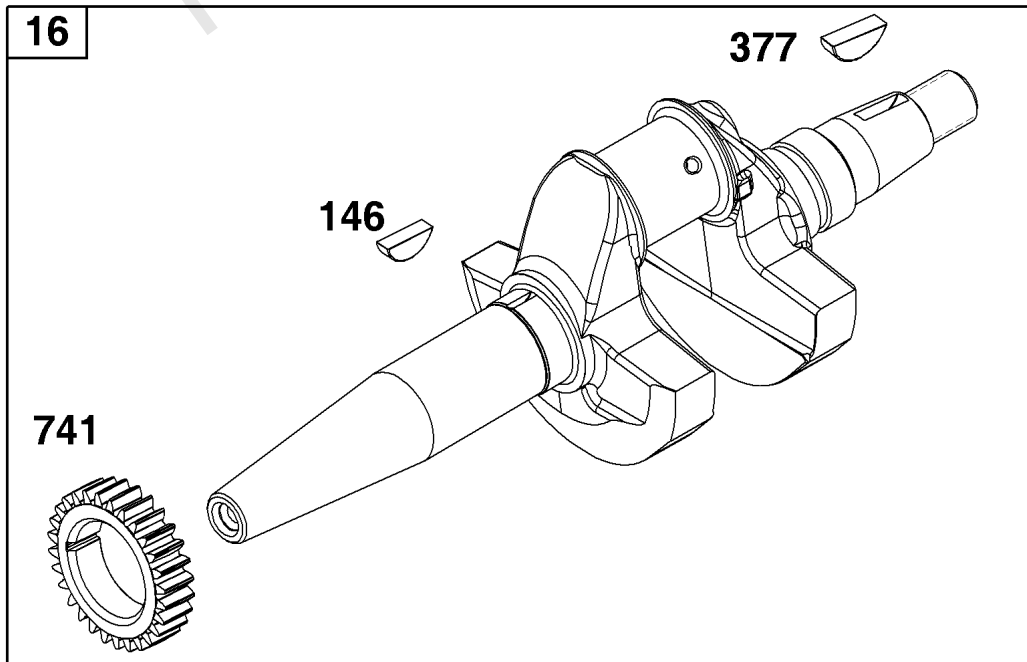
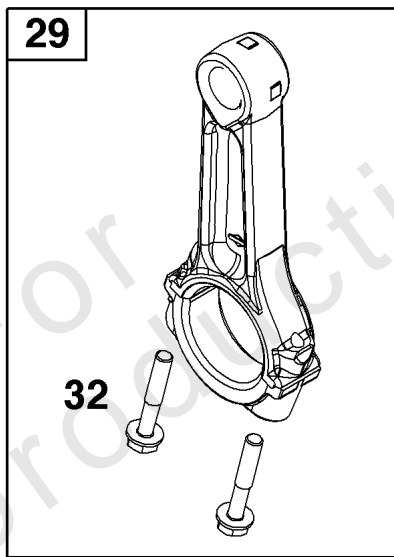
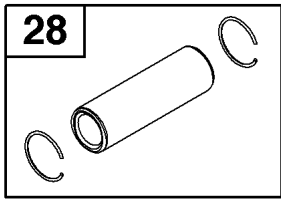
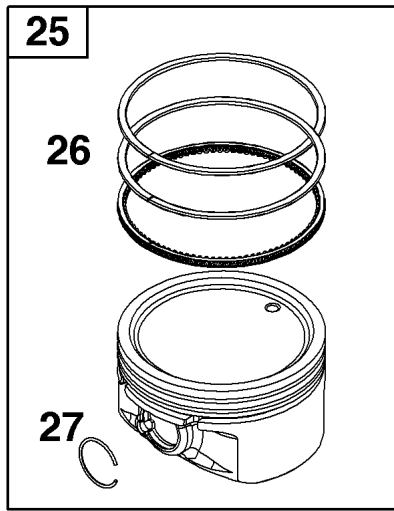
REF NO	PART NO	QTY	DESCRIPTION
344	692056	1	SCREW
359	691077	1	WASHER -(Ground Terminal)
373	845823	1	NUT -(Ground Terminal)
507	691972	1	INSULATOR
520	691084	1	TERMINAL, Ground
527	845268	1	CLAMP, Hose
587	690423	1	CLAMP, Tube
729	690586	1	CLIP, Wire
789	847176	1	HARNESS, Wiring
789A	847924	1	HARNESS, Wiring
789B	847023	1	HARNESS, Wiring
789E	84001970	1	HARNESS, WIRING
892	847448	1	SWITCH, Key
990	691959	1	SET, Key
1054	280275	1	TIE, Cable
1378	847144	1	SET, Washer/Nut
1378	847144	1	SET, Washer/Nut
1500	84001977	1	MODULE, Electronic Control -(Not Programmed)
1510	807084	4	SCREW -(Electronic Control Module) (M6x14mm)
1518	847016	1	TACHOMETER
1521	847150	1	CAP, Switch



Not For
Reproduction

Crankcase Cover and Lubrication Group

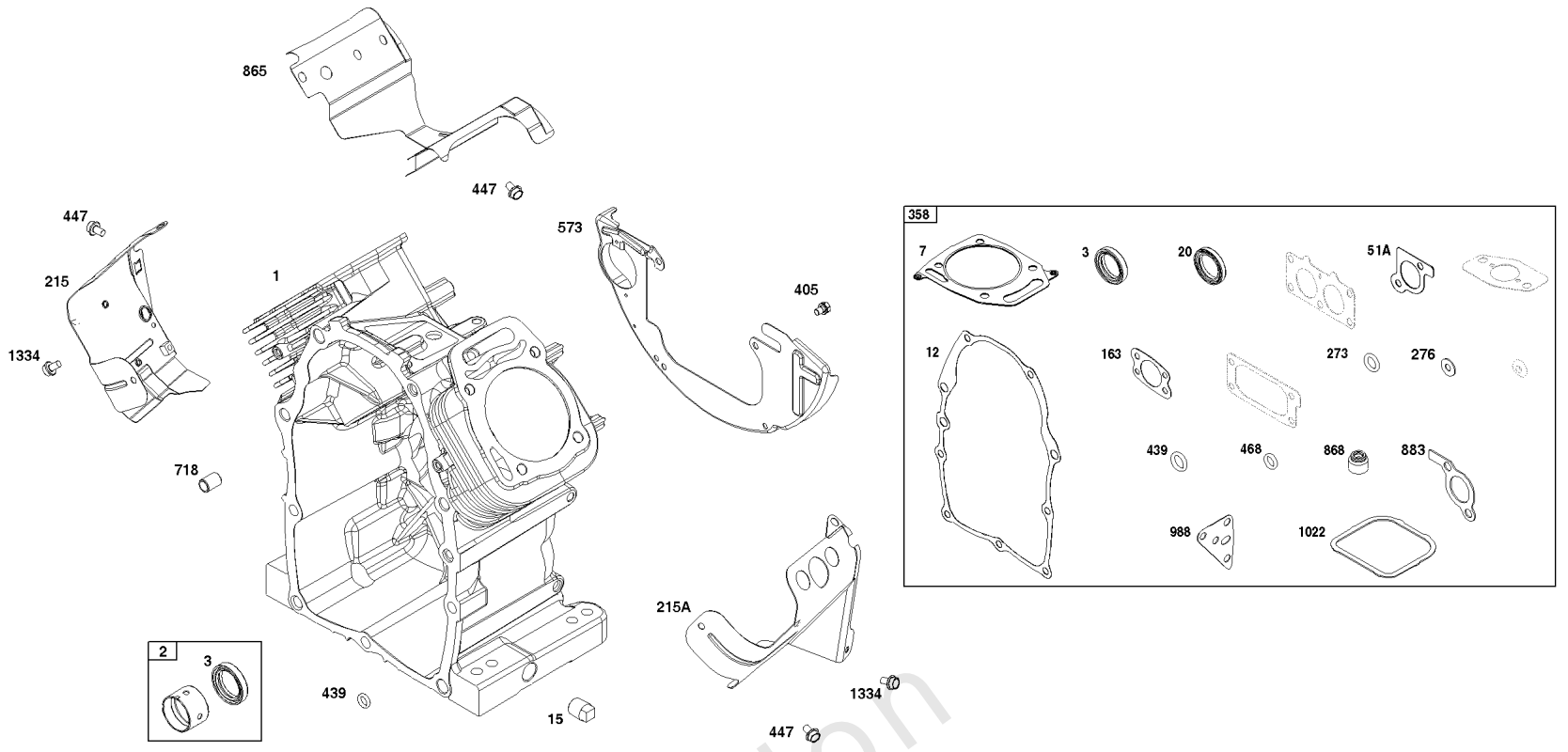
REF NO	PART NO	QTY	DESCRIPTION
12	846487	1	GASKET, Crankcase
18	844734	1	COVER, Crankcase
20	805049S	1	SEAL, Oil -(PTO Side)
22	807362	9	SCREW -(Crankcase Cover/Sump)
85	841233	2	SCREW -(Gear Cover)(M6x10mm)
86	690745	1	COVER, Gear
186A	693184	2	CONNECTOR, Hose
239	841281	1	SWITCH, Oil Pressure
273	690681	2	SEAL, O-Ring -(Oil Pump)
287	806660	1	SCREW -(Dipstick Tube) (M8x18mm)
400	846489	1	COOLER, Oil
417	843345	4	SCREW -(Oil Cooler)
439	692154	2	O-RING, Oil Gallery -(Part information located in Cylinder Group.)
448	841488	1	BRACKET, Oil Cooler
468	690690	1	SEAL, O-Ring -(Oil Pump Screen)
479	807084	1	SCREW -(Oil Pump Screen)(M6x14mm)
523	693175	1	DIPSTICK
524	693172	1	SEAL, O-Ring -(Dipstick Tube)
525	693174	1	TUBE, Dipstick
596	691492	2	SCREW -(Oil Pump)(M6x30mm)
601	841597	2	CLAMP, Hose
737	690679	2	SCREW -(Oil Filter Adaptor)(M6x21mm)
829	841999	2	HOSE/CLAMP ASSEMBLY
988	692063	1	GASKET, Oil Adapter
1017	690900	1	SCREEN, Oil Pump
1024	843825	1	PUMP, Oil
1027	842921	1	FILTER, Oil
1028	843898	1	ADAPTER, Oil Filter
1548	843827	2	BEARING, Ball -(Crankcase Cover/Sump)



Crankshaft Group

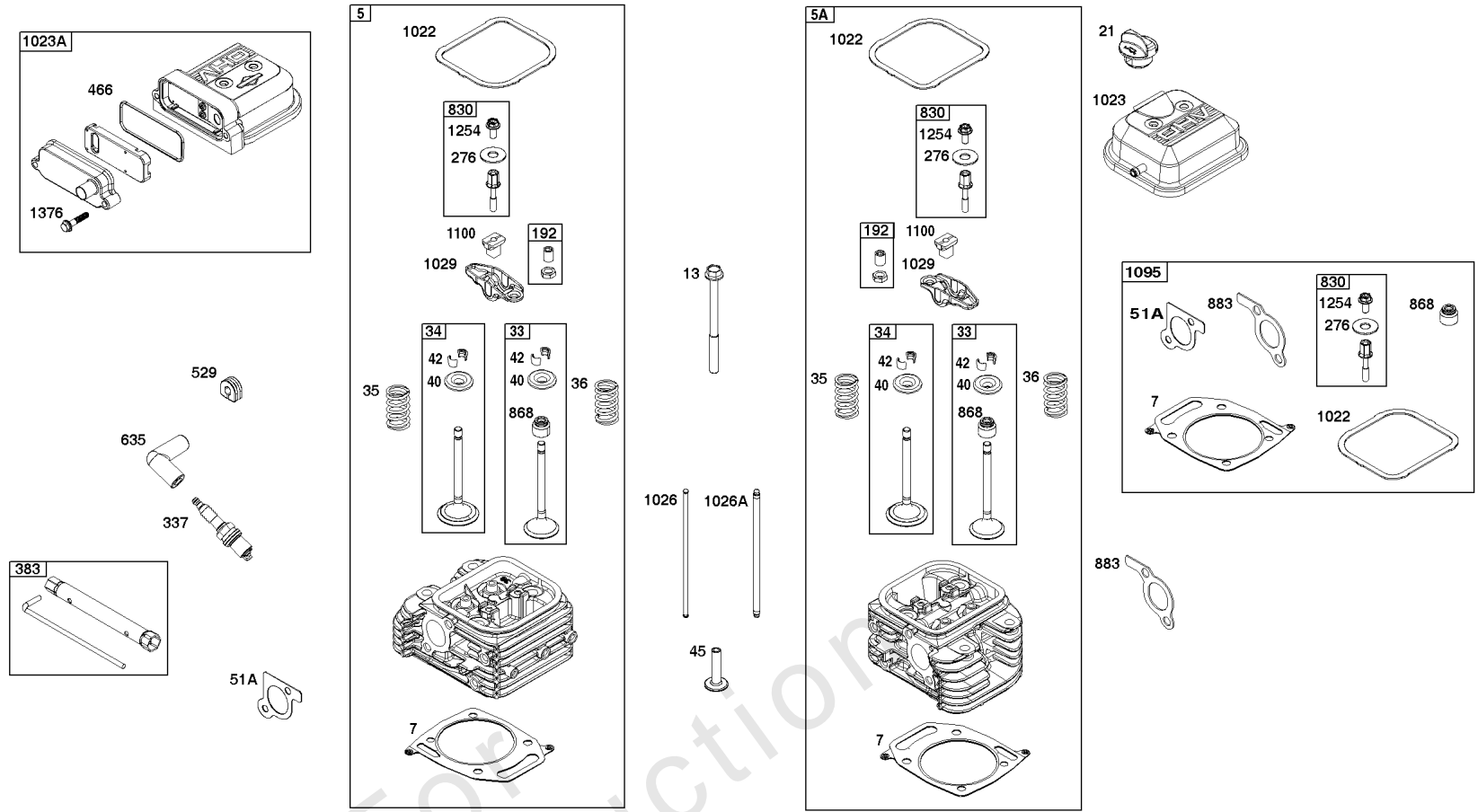
REF NO	PART NO	QTY	DESCRIPTION
16	843810	1	CRANKSHAFT
25	843805	2	PISTON ASSEMBLY
25	843823	2	PISTON ASSEMBLY -(.020 Oversize)
26	843806	2	SET, Ring
26	843824	2	SET, Ring -(.020 Oversize)
27	844023	2	PIN, Piston
28	844023	2	PIN, Piston
29	807900S	2	ROD, Connecting
32	690698	2	SCREW -(Connecting Rod)
46	845650	1	CAMSHAFT
146	691639	1	KEY, Woodruff
377	808095	1	KEY, Flywheel
598	807625	1	SHIM, End Play -(Crankshaft or Camshaft Bearing)
741	846085	1	GEAR, Timing

Not For Reproduction



Cylinder Group

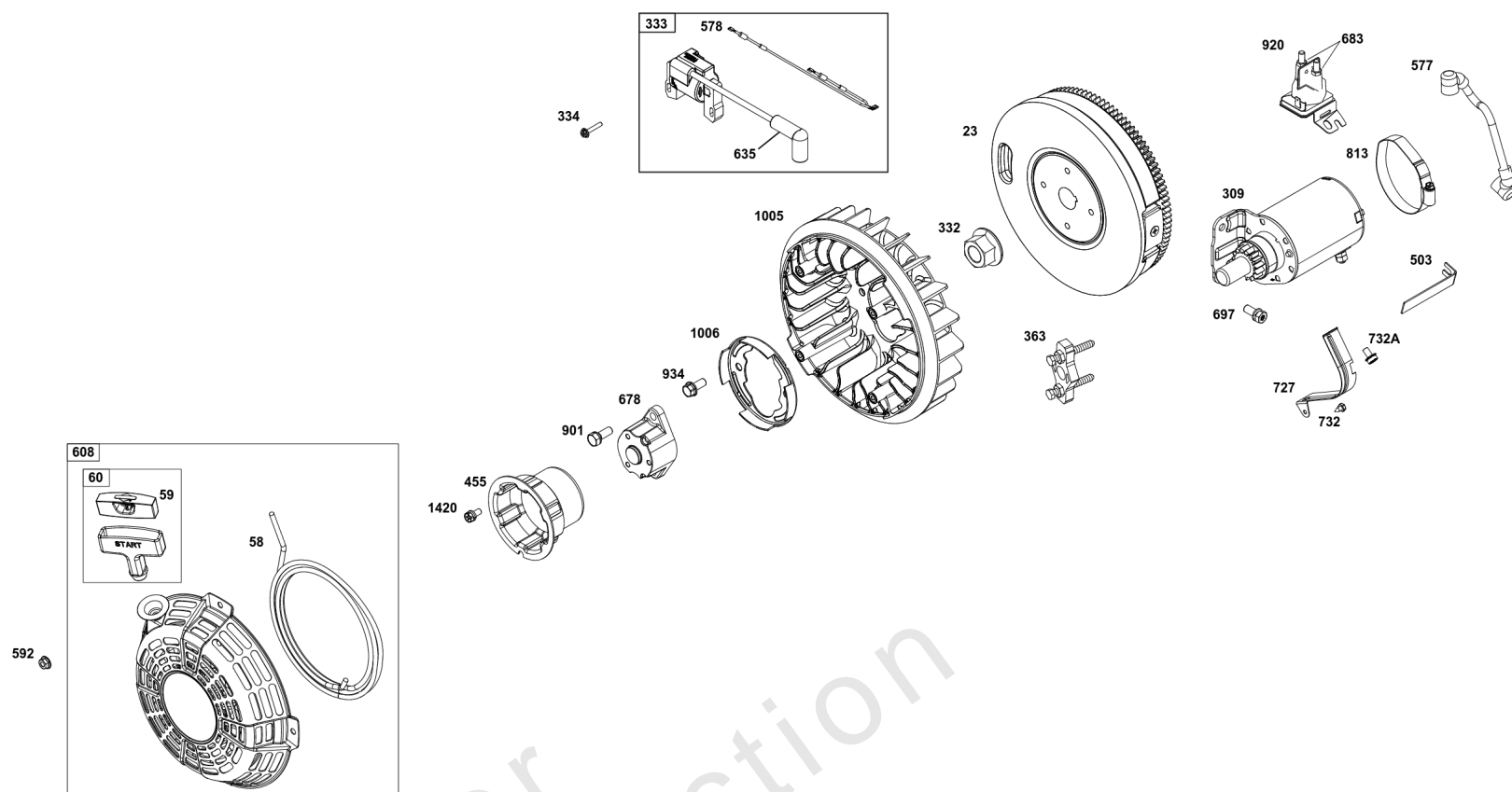
REF NO	PART NO	QTY	DESCRIPTION
1	842603	1	CYLINDER ASSEMBLY
2	808534	1	KIT, Bushing/Seal -(Magneto Side)
3	805101S	1	SEAL, Oil -(Magneto Side)
7	-----		GASKET, Cylinder Head -(Part information located in Cylinder Head Group.)
12	-----		GASKET, Crankcase -(Part information located in Crankcase Cover/Sump and Lubrication Group.)
15	690946	2	PLUG, Oil Drain
20	-----		SEAL, Oil -(Part information located in Crankcase Cover/Sump and Lubrication Group.)
51A	-----		GASKET, Intake -(Part information located in Cylinder Head Group.)
163	-----		GASKET, Air Cleaner -(Part information located in Throttle Body and Fuel Supply Group.)
215	841183	1	GUIDE, Air -(Cylinder 1)
215A	841182	1	GUIDE, Air -(Cylinder 2)
273	-----		SEAL, O-Ring -(Part information located in Crankcase Cover/Sump and Lubrication Group.)
276	-----		WASHER, Sealing -(Part information located in Cylinder Head Group.)
358	842658	1	GASKET SET, Engine -(Some Components Used Within This Service Kit Are Not Used On This Engine)
405	807163	4	SCREW -(Back Plate) (Lockerwasher Head) (M6x10)
439	692154	1	O-RING, Oil Gallery
447	841233	9	SCREW -(Air Guide Cover) (M6x10mm)
468	-----		SEAL, O-Ring -(Part information located in Crankcase Cover/Sump and Lubrication Group.)
573	841314	1	PLATE, Back
718	806469	2	PIN, Locating
865	843768	1	COVER, Air Guide
868	-----		SEAL, Valve -(Part information located in Cylinder Head Group.)
883	-----		GASKET, Exhaust -(Part information located in Cylinder Head Group.)
988	-----		GASKET, Oil Adapter -(Part information located in Crankcase Cover/Sump and Lubrication Group.)
1022	-----		GASKET, Rocker Cover -(Part information located in Cylinder Head Group.)
1334	841233	2	SCREW -(Air Guide) (M6x10mm)



Not For
Reproduction

Cylinder Head Group

REF NO	PART NO	QTY	DESCRIPTION
5	845713	1	HEAD, Cylinder -(Cylinder 1)
5A	845714	1	HEAD, Cylinder -(Cylinder 2)
7	842622	2	GASKET, Cylinder Head
13	842618	8	SCREW -(Cylinder Head)
21	809500	1	CAP, Oil Fill
33	806419	2	VALVE, Exhaust
34	845712	2	VALVE, Intake
35	692084	2	SPRING, Valve -(Intake)
36	692084	2	SPRING, Valve -(Exhaust)
40	692058	4	RETAINER, Valve
42	807683	8	KEEPER, Valve
45	843379	4	TAPPET, Valve
51A	806418	2	GASKET, Intake
192	807623	4	ADJUSTER, Rocker Arm
276	807085	4	WASHER, Sealing
337	792015	2	PLUG, Spark
383	19576S	1	WRENCH, Spark Plug
466	806466	1	SEAL, O-Ring
529	690744	2	GROMMET
635	692076	2	BOOT, Spark Plug
830	809157	4	STUD, Rocker Arm -(Rocker Arm)
868	691963	2	SEAL, Valve -(Exhaust)
883	806425	2	GASKET, Exhaust
1022	806039S	2	GASKET, Rocker Cover
1023	690910	1	COVER, Rocker
1023A	843750	1	COVER, Rocker
1026	691836	2	ROD, Push
1026A	691758	2	ROD, Push -(Exhaust)
1029	807323	4	ARM, Rocker
1095	842662	1	GASKET SET, Valve -(Service Kits may include extra parts not specific to this engine.)
1100	791959	4	PIVOT, Rocker Arm
1254	807084	4	SCREW
1376	806421	2	SCREW -(Breather Reed Cover)



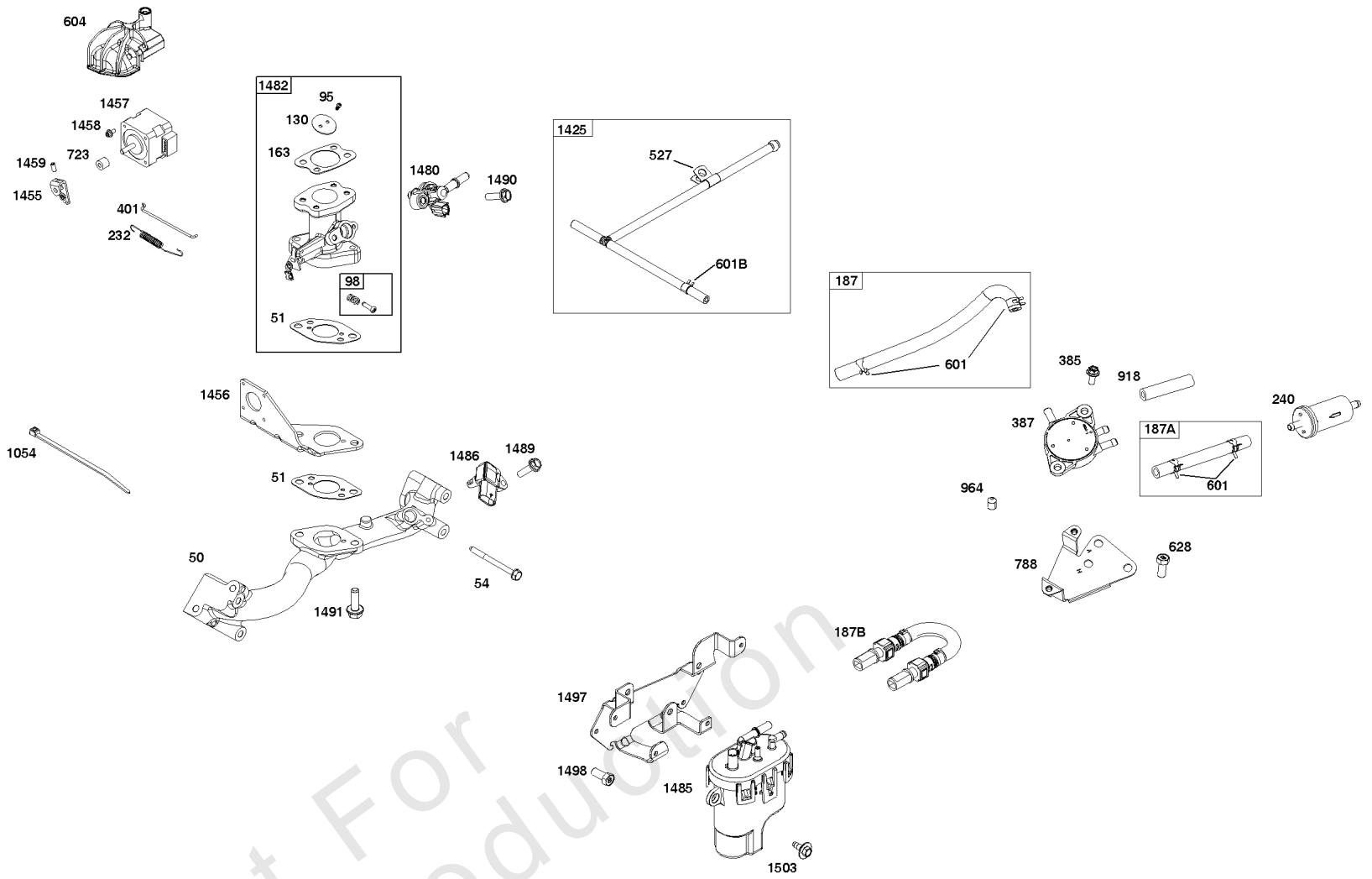
Not For
Reproduction

Flywheel, Ignition, and Starter Group

REF NO	PART NO	QTY	DESCRIPTION
23	845489	1	FLYWHEEL
58	66574	1	ROPE, Starter
59	805957	1	INSERT, Grip
60	808167	1	GRIP, Starter Rope
309	844717	1	MOTOR, Starter
332	690887	1	NUT -(Flywheel)
333	84003819	2	ARMATURE, Magneto
334	692066	4	SCREW -(Magneto Armature)
363	19203	1	PULLER, Flywheel
455	841794	1	CUP, Flywheel
503	845016	1	STRAP, Starter
577	690795	1	CABLE, Starter
578	844547	1	HARNESS, Wiring
592	690939	4	NUT -(Rewind Starter)
608	841729	1	STARTER, Rewind
635	----	1	BOOT, Spark Plug -(Part information located in Cylinder Head Group.)
678	841730	1	SPACER -(Rewind)
683	691029	2	NUT -(Starter Solenoid)
697	691902	2	SCREW -(Starter Motor) (Drive Cap)
727	841313	1	COVER, Starter Drive
732	690688	1	SCREW -(Starter Drive Cover)
732A	841233	1	SCREW -(Starter Drive Cover)
813	690635	1	CLAMP
901	846234	2	SCREW -(Rewind Spacer)
920	846820	1	SOLENOID, Starter
934	692062	6	SCREW -(Fan Retainer)
1005	841439	1	FAN, Flywheel
1006	690452	1	RETAINER, Fan
1420	841735	3	SCREW -(Flywheel Cup to Rewind Spacer)

Throttle Body and Fuel Supply Group

Mfg. No: 38E347-0003-G1



Throttle Body and Fuel Supply Group

REF NO	PART NO	QTY	DESCRIPTION
50	847137	1	MANIFOLD, Intake
51	691694	2	GASKET, Intake
54	806444	4	SCREW
95	846644	2	SCREW -(Throttle Valve) (M3x5mm)
98	847139	1	KIT, Idle Speed
130	847262	1	VALVE, Throttle
187	846584	1	LINE, Fuel
187A	791766	1	LINE, Fuel
187B	847473	1	LINE, Fuel
232	847470	1	SPRING, Governor
240	845125	1	FILTER, Fuel
385	807084	2	SCREW -(Fuel Pump) (M6x14mm)
387	808656	1	PUMP, Fuel
401	845814	1	LINK, Actuator
527	845268	1	CLAMP, Hose
601	691038	2	CLAMP, Hose
601B	593879	1	CLAMP, Hose
604	84001958	1	COVER, Control
628	806660	1	SCREW -(Fuel Pump Bracket) (M8x18mm)
723	845818	1	SEAL, Foam
788	691559	1	BRACKET, Fuel Pump
918	84001964	1	LINE, Fuel
964	590799	2	CAP, Connector
1503	594618	3	SCREW -(Fuel Module) (1/4-20x.5)
1054	280275	3	TIE, Cable -(Part information located in Controls Group.)
1425	847556	1	HOSE, Purge Line
1455	845813	1	LEVER, Actuator
1456	845815	1	BRACKET, Mounting
1457	847142	1	MOTOR, Stepper
1458	845812	4	SCREW -(Stepper Motor) (M3x8mm)
1459	845820	1	SCREW
1480	846618	1	INJECTOR, Fuel
1482	847138	1	BODY, Throttle
1485	593890	1	MODULE, Fuel
1486	593905	1	SENSOR, Temperature/Manifold Absolute Pressure (MAP)
1489	690679	1	SCREW -(TEMP/MAP Sensor) (M6x21mm)
1490	690679	1	SCREW -(Fuel Injector) (M6x21mm)
1491	807382	2	SCREW -(Throttle Body) (M8x25mm)
1497	84001967	1	BRACKET, Fuel Module
1498	84001969	4	SCREW -(Fuel Module Bracket) (M4x10mm)



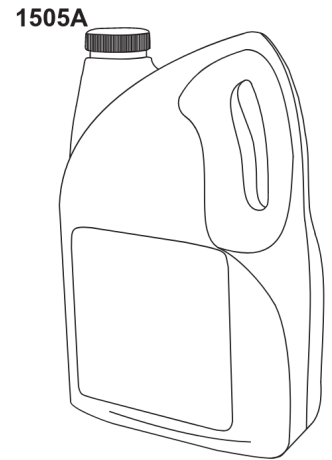
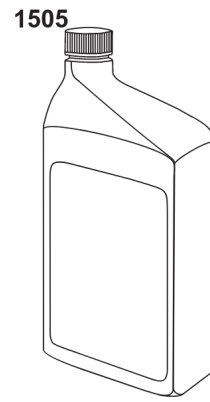
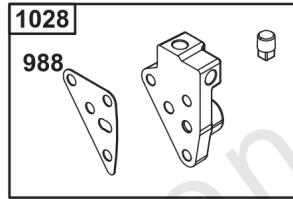
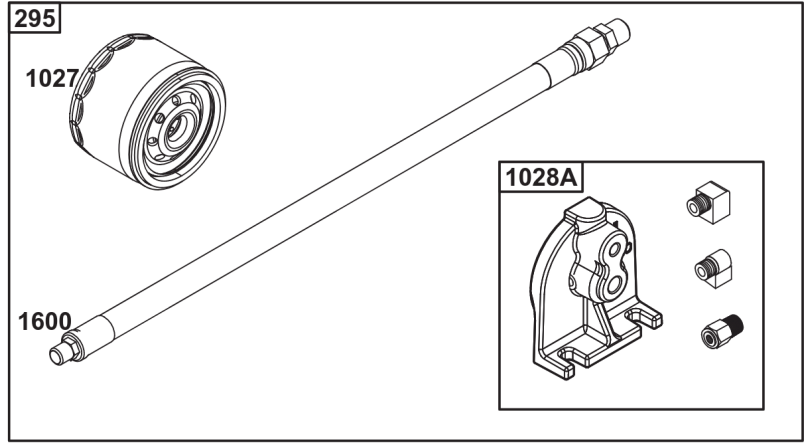
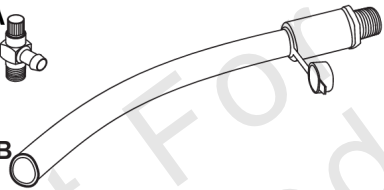
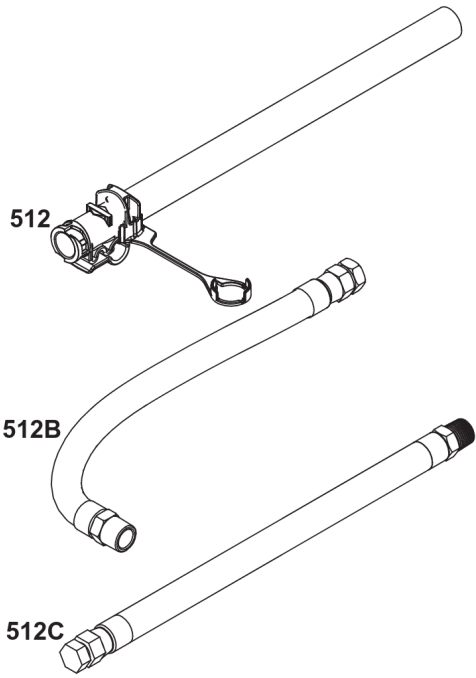
Model 29, 30, 35 & 38 Engine Accessories Catalog

Not For
Reproduction



Maintenance Kits

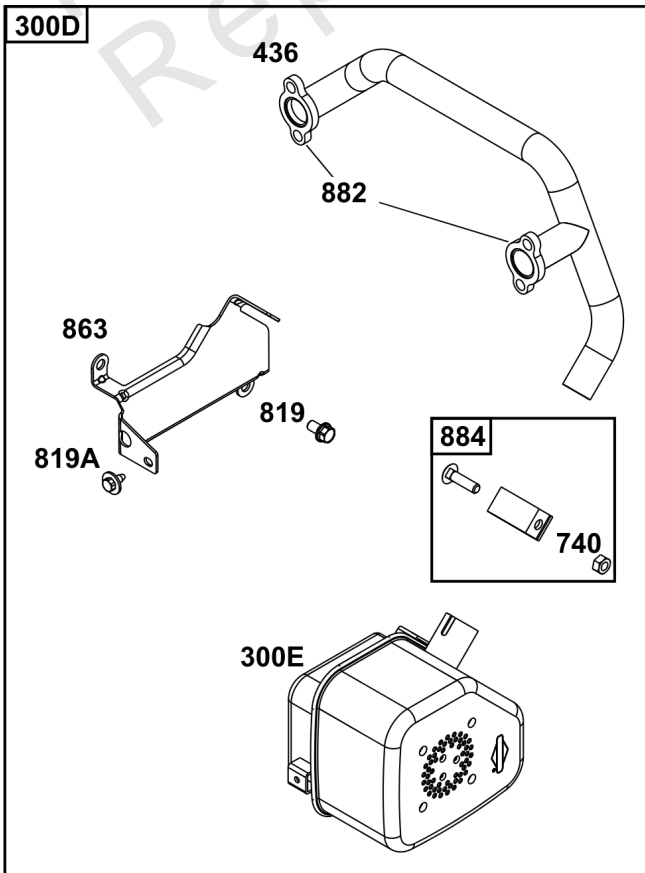
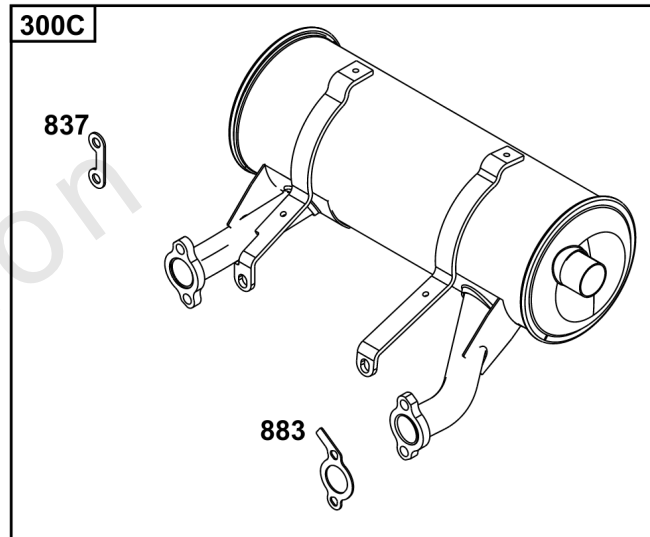
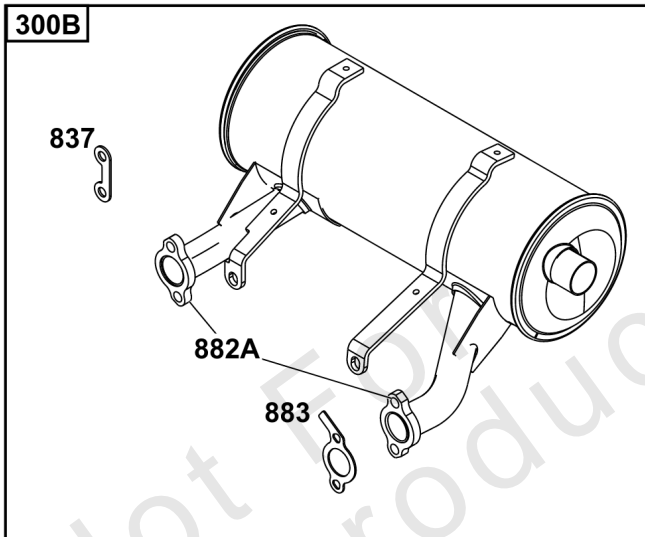
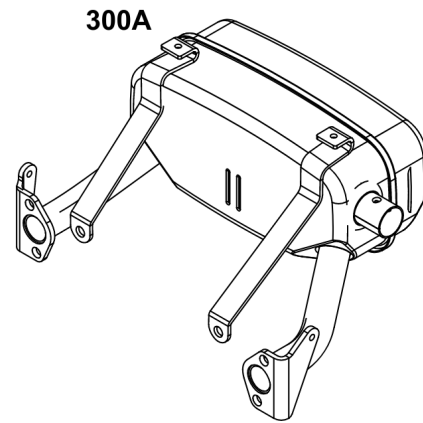
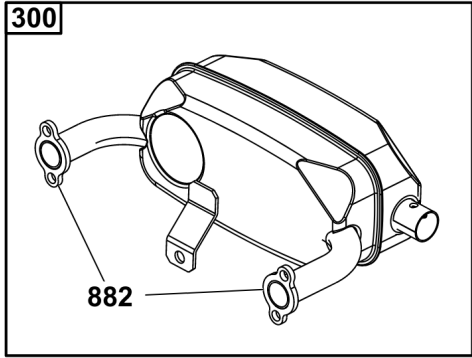
REF NO	PART NO	QTY	DESCRIPTION
9000	84004936		KIT, Maintenance -(Non-Oil Guard™ Engines) (20 - 23 HP)
9000A	84004937		KIT, Maintenance -(Non-Oil Guard™ Engines) (12.5 - 18 HP)
9000B	84002315		KIT, Maintenance -(Non-Oil Guard™ Engines)
240	845125	1	FILTER, Fuel
240A	84001895	1	FILTER, Fuel
337	491055S	2	PLUG, Spark
337	84007216	2	PLUG, SPARK -(China Only)
445	692519	1	FILTER, A/C Cartridge -"Professional / PXi" & "Commercial / CXi".
445A	394018S	1	FILTER, A/C Cartridge -"Professional / PXi" & "Commercial / CXi".
445B	841497	1	FILTER, A/C Cartridge -"Professional / PXi" & "Commercial / CXi".
967	692520	1	FILTER, Pre Cleaner
967A	272490S	1	FILTER, Pre Cleaner
1027	842921	1	FILTER, Oil -(Vanguard®)
1505	100169		OIL-1QT VANGUARD (CASE) -(1 qt. Bottle)



Not For
Reproduction

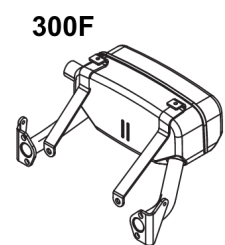
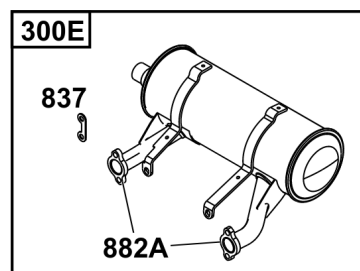
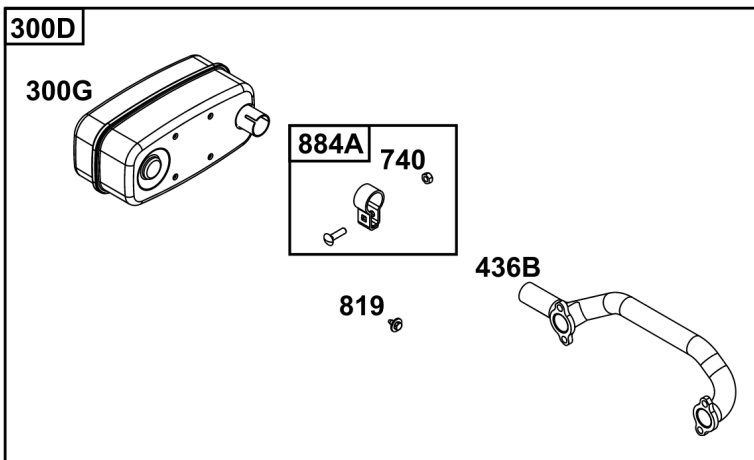
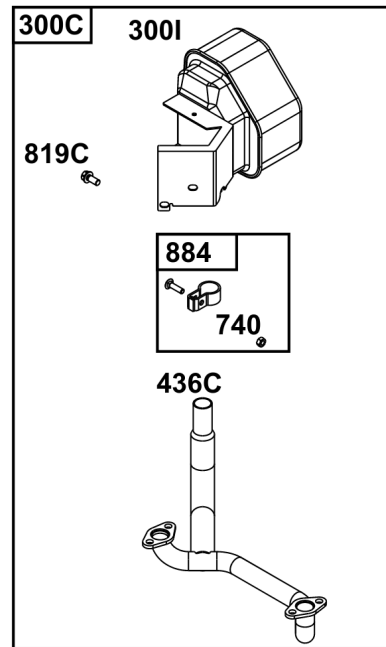
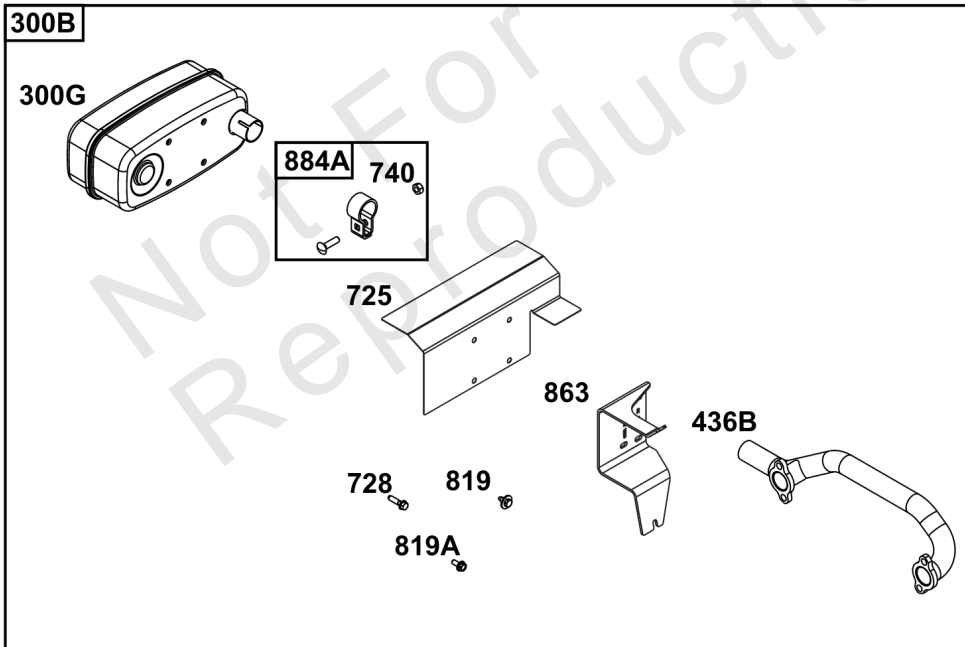
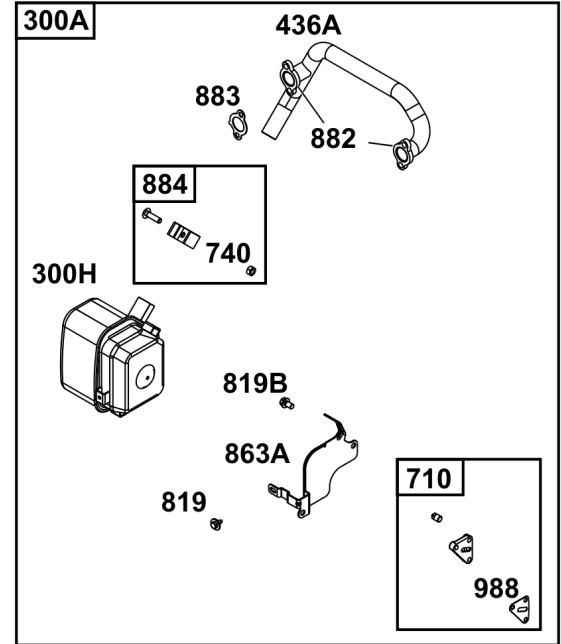
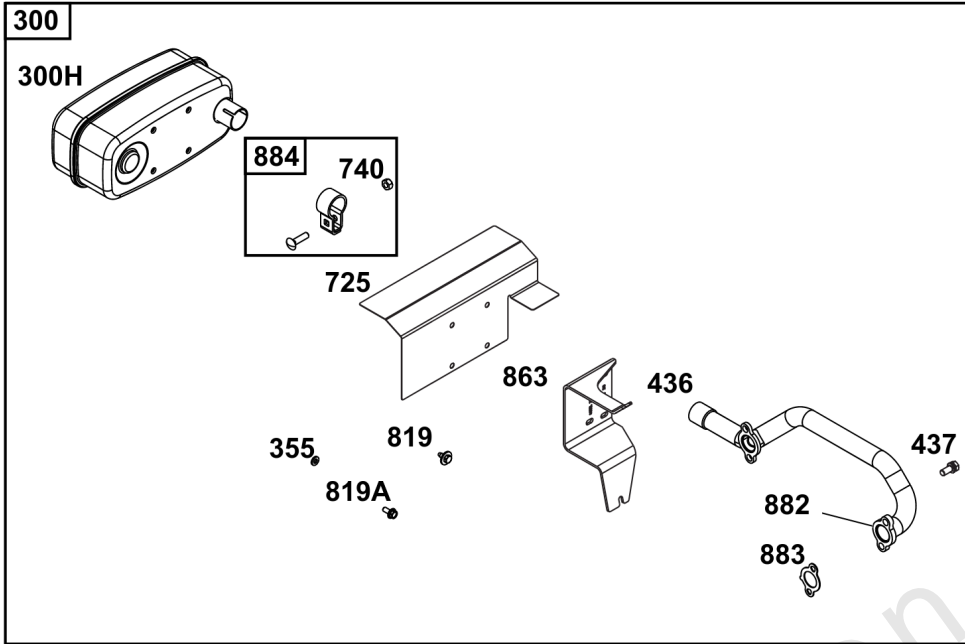
Lubrication

REF NO	PART NO	QTY	DESCRIPTION
186	796532	1	CONNECTOR, Hose -(Threaded Engine Block Connector for EZ-Oil Drain Hose)(Order hose separate)
239	690233	1	SWITCH, Oil Pressure -(2-4 PSI Normally-Closed Switch)
239A	491657S	1	SWITCH, Oil Pressure -(3-5 PSI Normally-Closed Switch)
239B	841281	1	SWITCH, Oil Pressure -(7-10 PSI Normally-Closed Switch)
239C	694115	1	SWITCH, Oil Pressure -(9-13 PSI Normally-Closed Switch)
239D	697049	1	SWITCH, Oil Pressure -(3-6 PSI Normally-Open Switch)
295	492061	1	ADAPTER, Remote Oil Filter -(Remote oil filter head with 18" (48 cm) hoses)
295	492062	1	ADAPTER, Remote Oil Filter -(Remote oil filter head with 30" (76 cm) hoses)
512	594200	1	HOSE, Oil Drain -(EZ-Oil Drain Hose, 10.5")(Order threaded engine block connector separate)
512	593635	1	HOSE, Oil Drain -(EZ-Oil Drain Hose, 13.75")(Order threaded engine block connector separate)
512B	1723165SM	1	HOSE, Oil Drain, 10-1/2" Long, 3/8-18 Fittings -(10.5")
512C	5048681SM	1	HOSE, OIL DRAIN -(12.5")
517	593633	1	RETAINER, Oil Drain
988	692063	1	GASKET, Oil Adapter
1027	492932S	1	FILTER, Oil
1028	492687	1	ADAPTER, Oil Filter -(Adapter Kit for mounting remote oil filter)
1028A	495244	1	ADAPTER-OIL FILTER -(Remote oil filter mounting head with fittings)
1346	844802	1	VALVE, Oil Drain Shut Off
1346A	492031	1	VALVE, Oil Drain Shut Off
1346B	5401WEB	1	VALVE, Oil Drain Shut Off -(1/4 Turn Oil Drain Valve with Hose)
1505	100169		OIL-1QT VANGUARD (CASE) -(1 qt. Bottle)
1505A	100170		OIL-5QT VANGUARD (CASE) -(5 qt. Bottle)
1600	494724	2	HOSE, Remote Oil Filter -(Hoses only (2) 18" (48 cm))
1600	494725	2	HOSE, Remote Oil Filter -(Hoses only (2) 30" (76 cm))



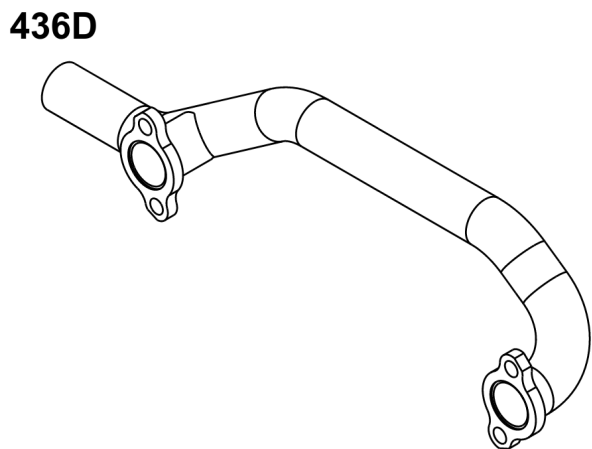
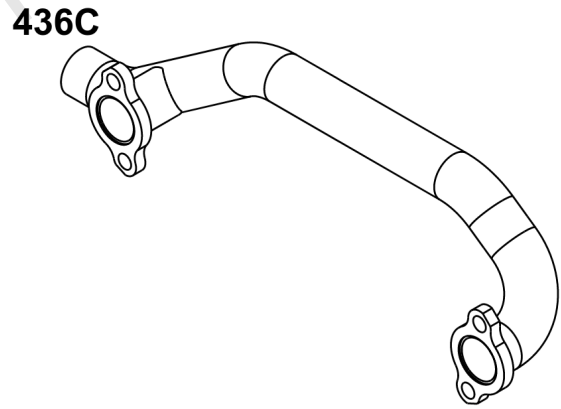
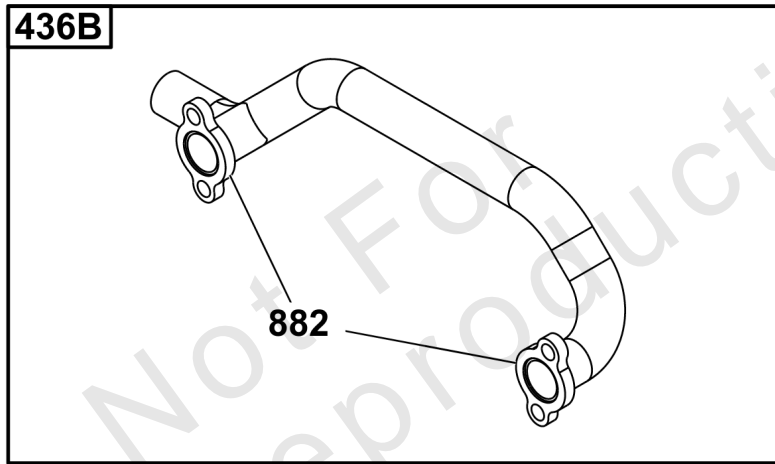
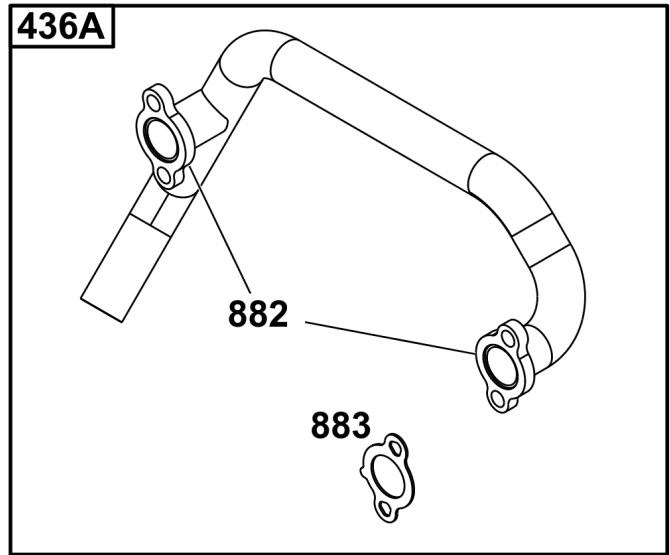
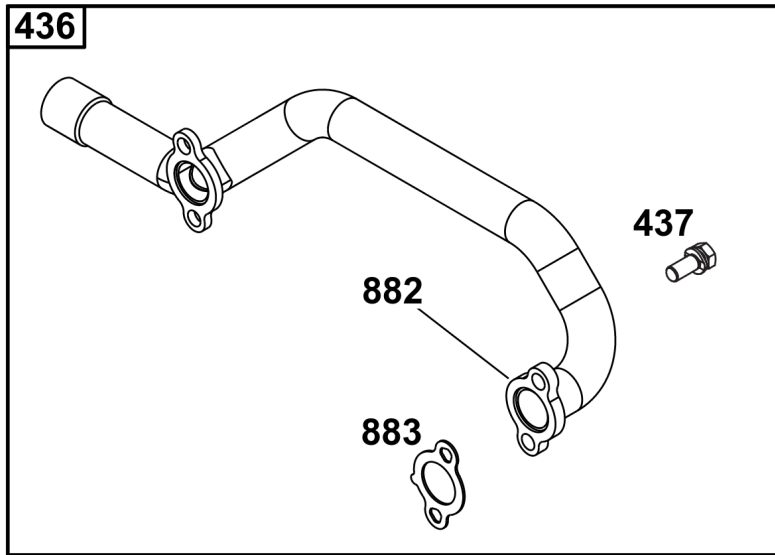
Starter Motor Side Outlet Mufflers

REF NO	PART NO	QTY	DESCRIPTION
300	690931	1	MUFFLER -(Super Lo-Tone) (Horizontal: 3054, 3564)
300A	690906	1	MUFFLER -(Super Lo-Tone) (Horizontal: 3054, 3564)
300B	808705	1	MUFFLER -(5" Round) (Horizontal: 3854, 3864)
300C	845873	1	MUFFLER -(5" Round, Stainless Steel) (Horizontal: 3854, 3864)
300D	995005	1	MUFFLER ASSY -(Lo-Tone) (Horizontal: 3054, 3564)
300E	692099	1	MUFFLER -(Lo Mount)
436	691499	1	MANIFOLD, Exhaust -(Cylinder 1) (Side Outlet)
740	793859	1	NUT
819	692056	2	SCREW -(Muffler Bracket) (M8x1.25)
819A	691514	2	SCREW -(Muffler Bracket) (M6 X 1.0)
837	808085	2	SPACER, Muffler -(Includes 2)
863	690756	1	BRACKET, Muffler -(Cylinder 1) (Side Outlet)
882	692074	2	FLANGE, Exhaust
882A	806965	2	FLANGE, Exhaust
883	806425	2	GASKET, Exhaust
884	690898	1	CLAMP, Muffler



Oil Filter Side Outlet Mufflers

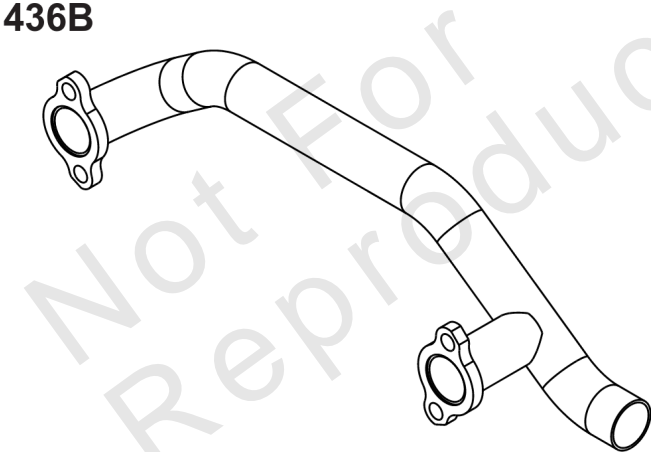
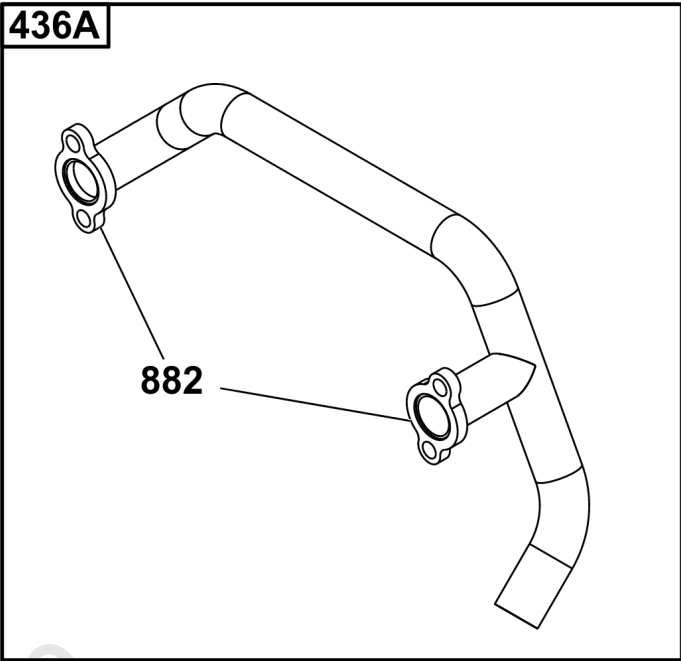
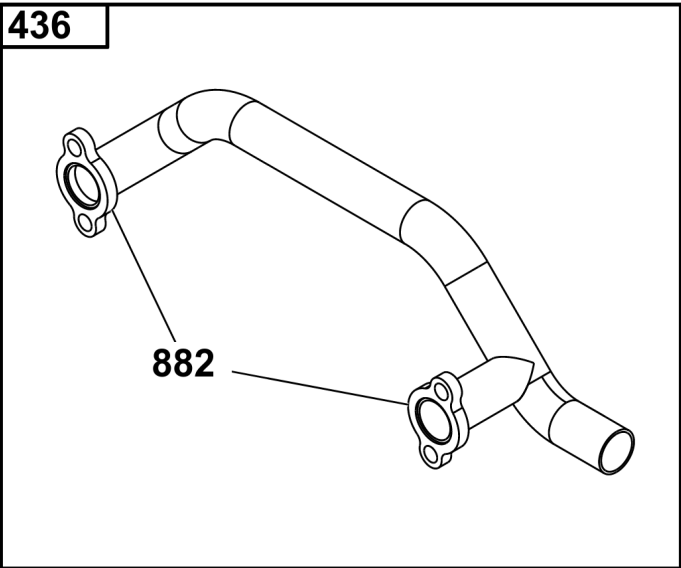
REF NO	PART NO	QTY	DESCRIPTION
300	995002	1	HIGH MNT SPR LO-TONE OIL FLTR SIDE -(Super Lo-Tone) (Horizontal: 3054, 3564) (Vertical: 3567)
300A	995000	1	OIL FILTER SIDE LO-MT -(Lo-Tone) (Horizontal: 3054, 3564) (Requires 808033 Oil Filter Adaptor)
300B	995004	1	HI MNT SPR LO-TONE OIL FLT SIDE -(Super Lo-Tone) (Horizontal: 3854, 3864) (Vertical: 3867)
300C	995009	1	COMMERCIAL MOWERS KIT -(For Wide Area Walker) (Vertical: 3567)
300D	995010	1	COMMERCIAL MOWERS KIT -(Vertical: 3867)
300E	808896	1	MUFFLER
300F	691562	1	MUFFLER -(Super Lo-Tone) (Horizontal: 3054, 3564)
300G	498984S	1	MUFFLER -(Super Lo Tone)
300H	692099	1	MUFFLER -(Lo Mount)
300I	807953	1	MUFFLER
355	842122	2	WASHER -(Muffler Bracket)
436	805609	1	MANIFOLD, Exhaust -(Cylinder 2) (Side Outlet)
436A	692061	1	MANIFOLD, Exhaust -(Cylinder 2) (Side Outlet)
436B	808916	1	MANIFOLD, Exhaust -(Cylinder 2) (Side Outlet)
436C	805778	1	MANIFOLD, Exhaust -(Wide Area Walker)
437	691902	4	SCREW -(Exhaust Manifold)
710	807689	1	COVER, Oil Filter
725	806102	1	SHIELD, Heat
728	690297	2	SCREW
740	793859	1	NUT
819	691514	2	SCREW -(Muffler Bracket) (M6 X 1.0)
819A	807084	2	SCREW -(Muffler Bracket)
819B	692056	2	SCREW -(Muffler Bracket) (M8x1.25)
819C	692062	2	SCREW -(Muffler Bracket)
837	808085	2	SPACER, Muffler -(Includes 2)
863	806759	1	BRACKET, Muffler
863A	691513	1	BRACKET, Muffler
882	692074	2	FLANGE, Exhaust -(3054 & 3564)
882A	806965	2	FLANGE, Exhaust
883	691613	2	GASKET, Exhaust
884	690898	1	CLAMP, Muffler
884A	691956	1	CLAMP, Muffler
988	690687	1	GASKET, Oil Adapter



Oil Filter Side Outlet Manifolds

REF NO	PART NO	QTY	DESCRIPTION
436	805609	1	MANIFOLD, Exhaust -(Vertical: 3567)
436A	692061	1	MANIFOLD, Exhaust -(Horizontal: 3054, 3564)
436B	691501	1	MANIFOLD, Exhaust -(Horizontal: 3054, 3564)
436C	808908	1	MANIFOLD, Exhaust -(Horizontal: 3854, 3864)
436D	808916	1	MANIFOLD, Exhaust -(Horizontal: 3854, 3864) (Vertical: 3867)
437	691902	4	SCREW -(Exhaust Manifold)
882	692074	2	FLANGE, Exhaust
883	691613	2	GASKET, Exhaust

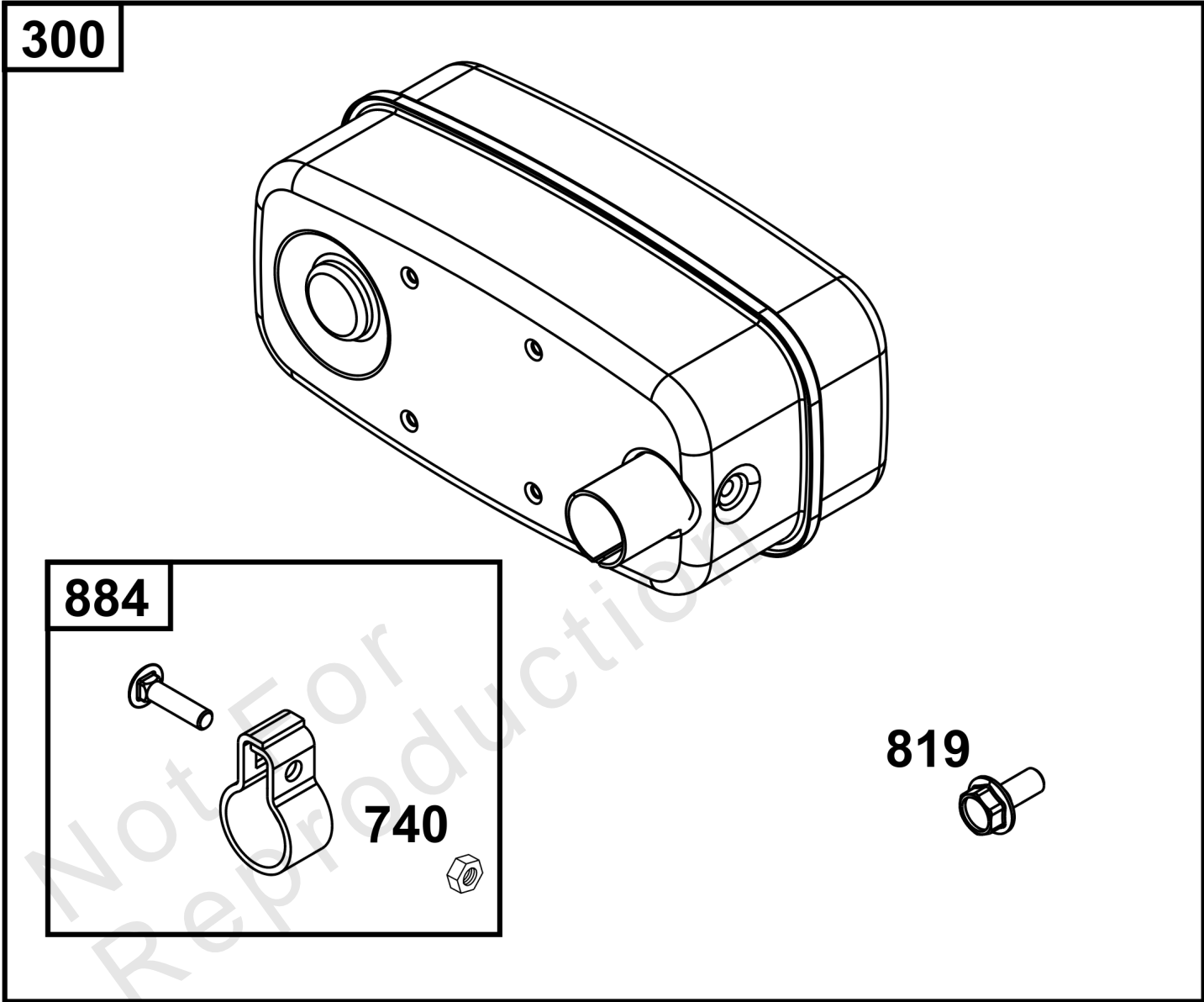
Not For Reproduction



Starter Motor Side Outlet Manifolds

REF NO	PART NO	QTY	DESCRIPTION
436	691502	1	MANIFOLD, Exhaust -(Horizontal: 3054, 3564)
436A	691499	1	MANIFOLD, Exhaust -(Horizontal: 3054, 3564)
436B	808909	1	MANIFOLD, Exhaust -(Horizontal: 3854, 3864) (Vertical: 3867)
882	692074	2	FLANGE, Exhaust

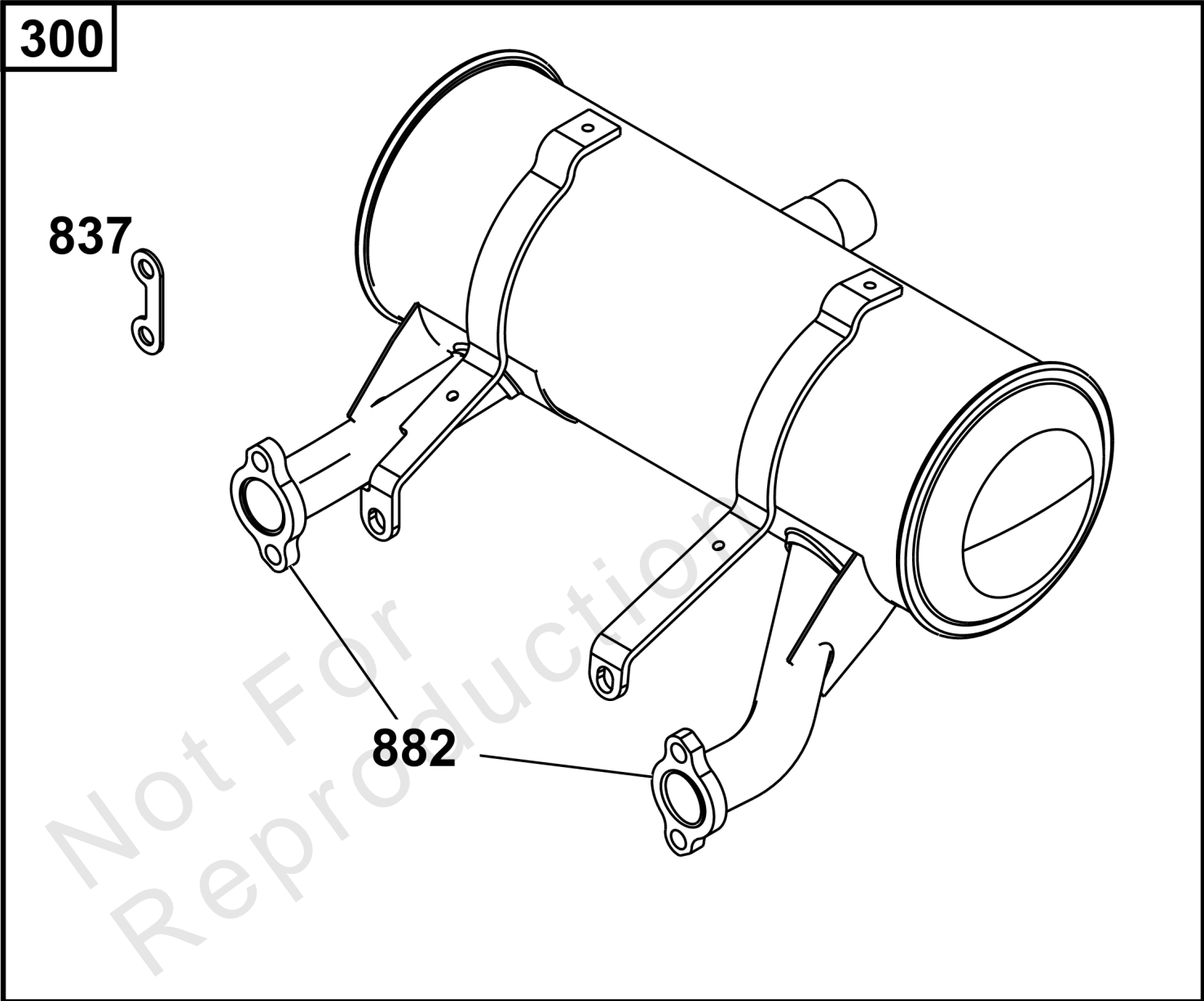
Not For Reproduction



Mufflers

REF NO	PART NO	QTY	DESCRIPTION
300	995018	1	MUFFLER -(Inlet I.D. 1.14" (28.9mm))
740	793859	1	NUT
819	807084	4	SCREW
884	691956	1	CLAMP, Muffler

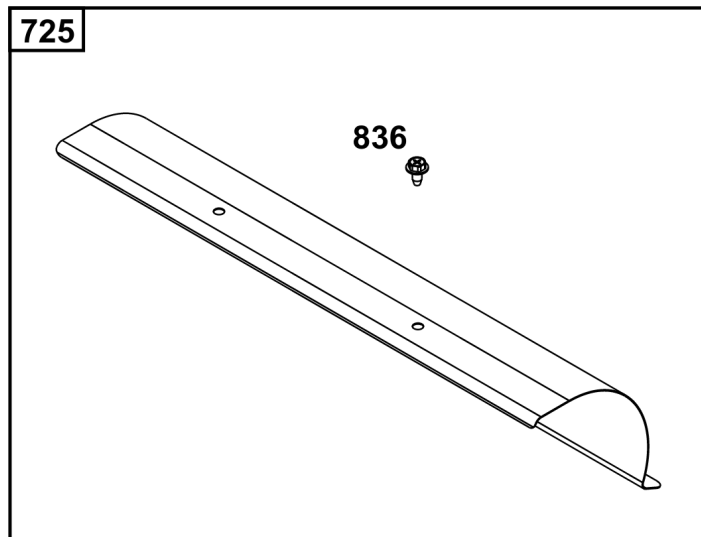
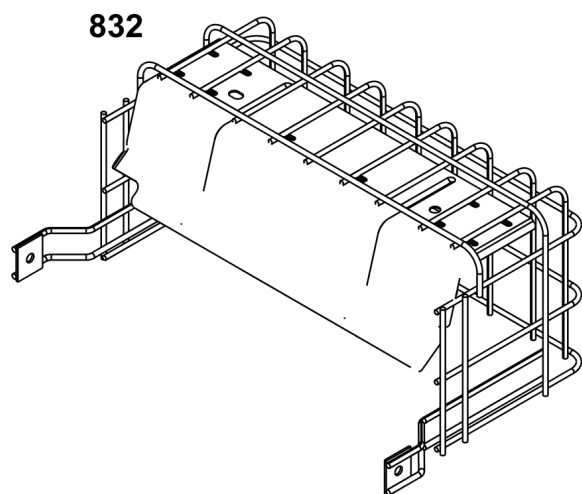
Not For Reproduction



Center Outlet Mufflers

REF NO	PART NO	QTY	DESCRIPTION
300	808911	1	MUFFLER -(5" Round) (Horizontal: 3854, 3864)
837	808085	2	SPACER, Muffler
882	806965	2	FLANGE, Exhaust

Not For Reproduction

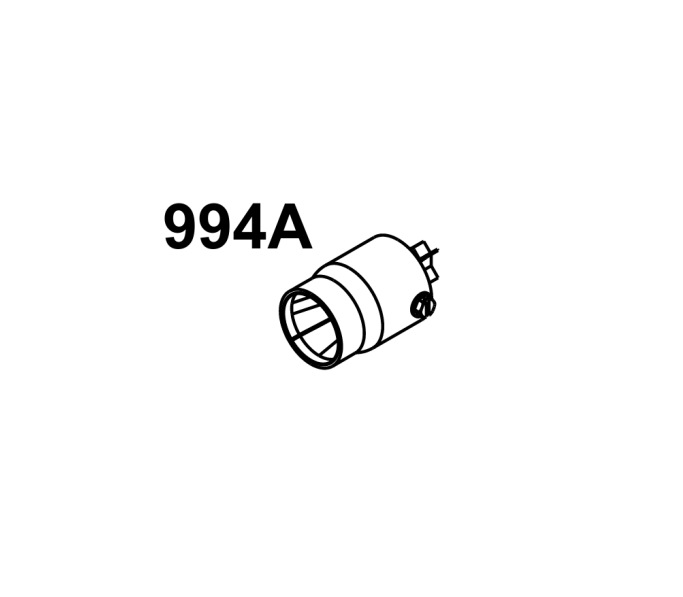
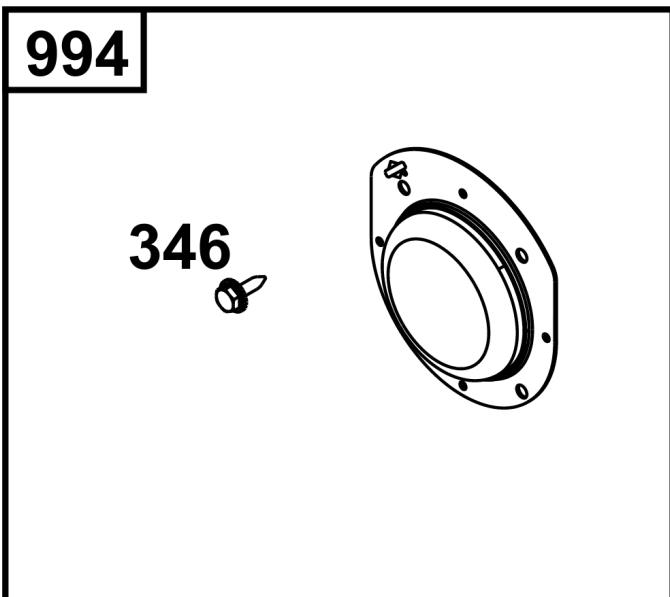
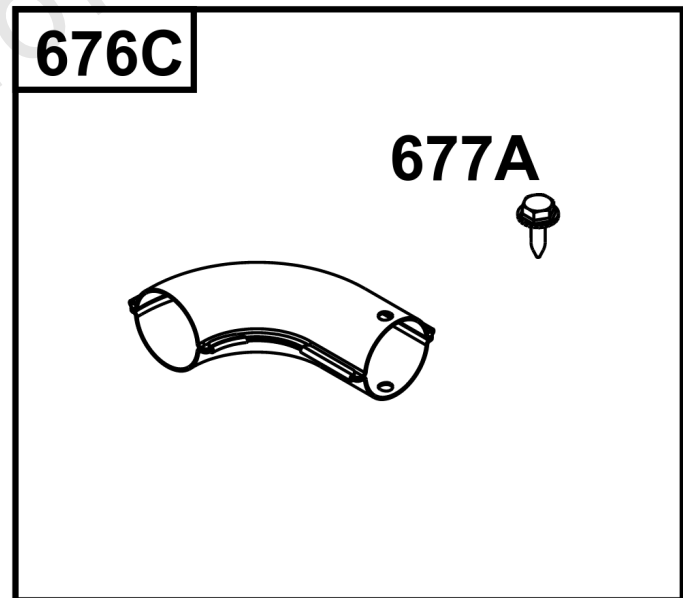
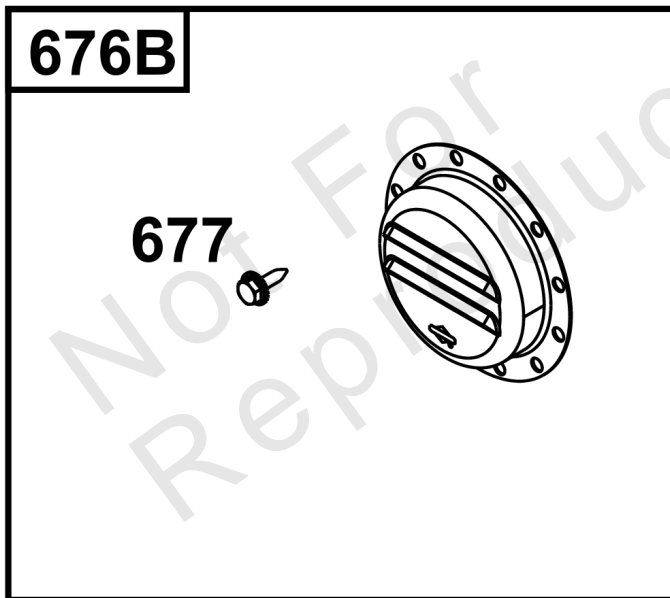
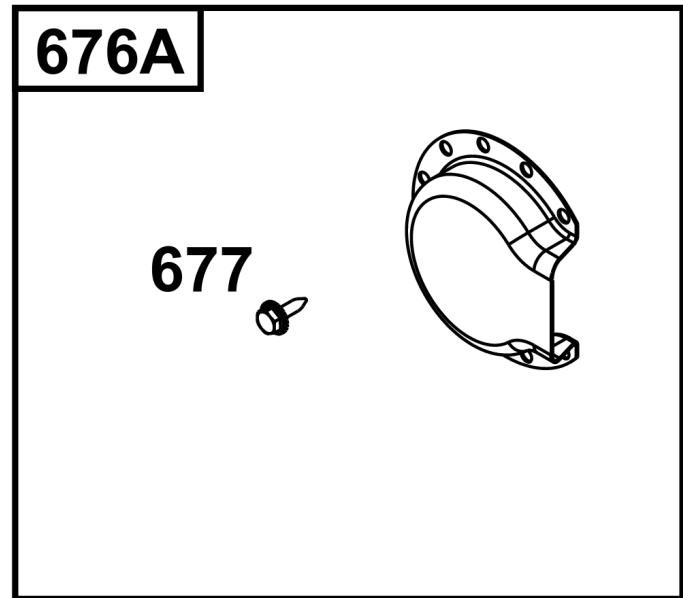
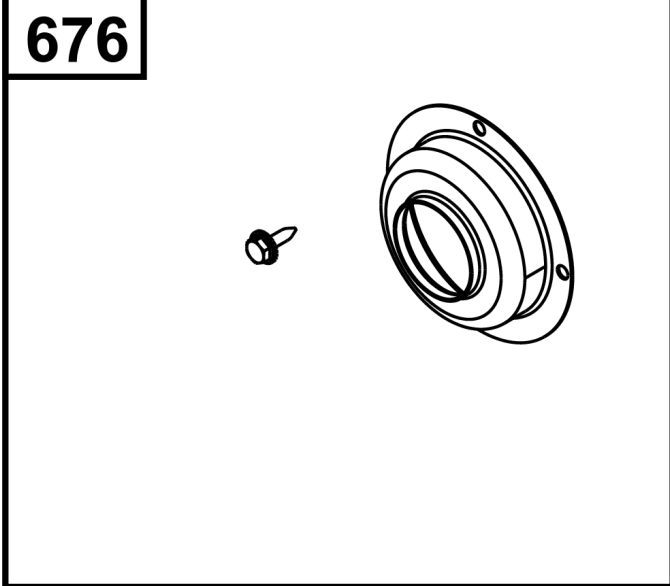


Not For
Reproduction

Muffler Guards and Shields

REF NO	PART NO	QTY	DESCRIPTION
725	846568	1	SHIELD, Heat -(For 5" Round Mufflers) (Horizontal: 3854, 3864)
832	691571	1	GUARD, Muffler -(Assembly for 690906 & 691562) (Horizontal: 3054, 3564)
836	692067	4	SCREW

Not For Reproduction



Spark Arrestors and Deflectors

REF NO	PART NO	QTY	DESCRIPTION
346	794845	4	SCREW -(Spark Arrestor)
676	396903	1	DEFLECTOR, Muffler -(Direct Outlet) (Face Mounting with 4 Screws)
676A	795036	1	DEFLECTOR, Muffler -(Deflector 90 Degree) (Face Mounting with 4 Screws)
676B	795038	1	DEFLECTOR, Muffler -(Deflector Louvered) (Face Mounting with 4 Screws)
676C	495518	1	DEFLECTOR, Muffler -(Elbow for Muffler Assembly) (For Exit Pipe O.D. of 1.10" (28mm))
677	794845	4	SCREW -(Muffler Deflector)
677A	810079	1	SCREW -(Muffler Deflector)
994	794945	1	ARRESTOR, Spark -(Spark Arrestor) (Face Mounting with 4 Screws)
994A	594562	1	ARRESTOR-SPARK -(Spark Arrestor) (For Exit Pipe O.D. of 1.10" (28mm))

Not For Reproduction

613



1177



296



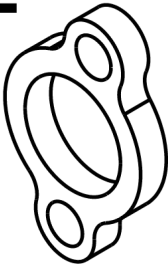
883



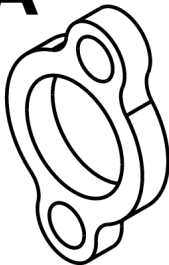
883A



882



882A

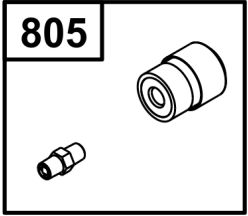
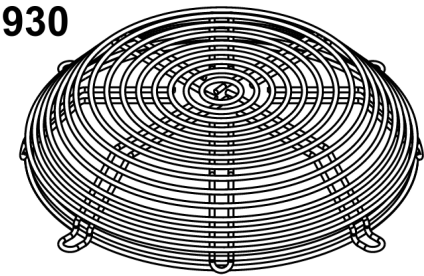
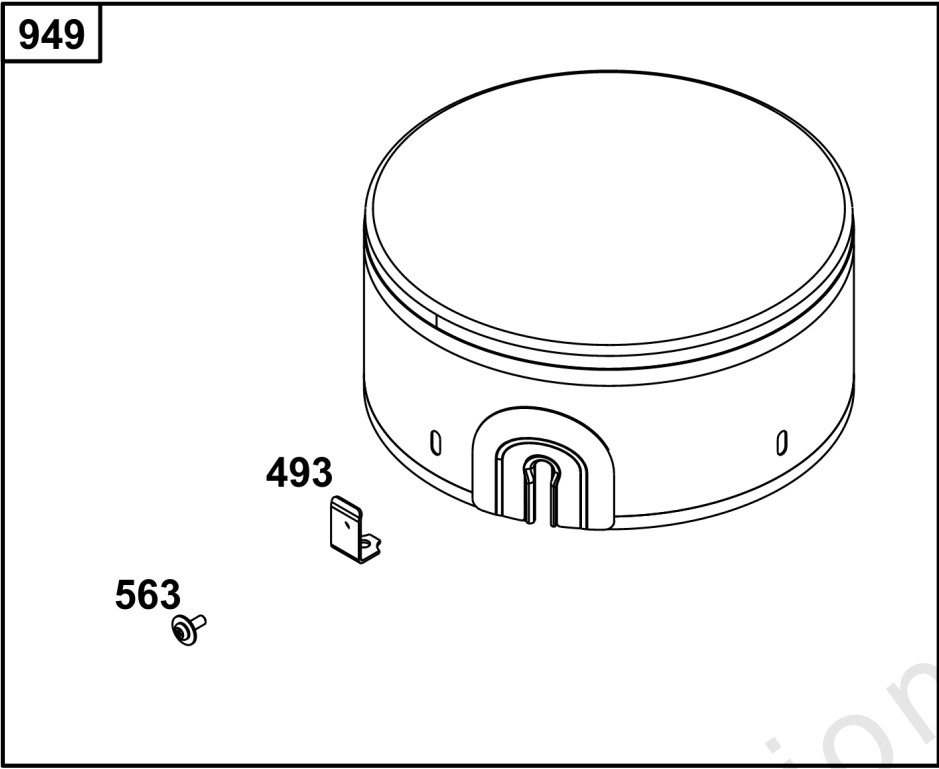


Not for
Reproduction

Muffler Mounting Hardware

REF NO	PART NO	QTY	DESCRIPTION
296	841185	4	STUD -(Mounting Mufflers)
613	691902	4	SCREW -(Mounting Mufflers)
882	692074	2	FLANGE, Exhaust -(3054 & 3564)
882A	806965	2	FLANGE, Exhaust -(3854 & 3864)
883	806425	2	GASKET, Exhaust -(Horizontal: 3854, 3864) (Vertical: 3567)
883A	691613	2	GASKET, Exhaust -(Horizontal: 3054, 3564) (Vertical: 3567)
1177	842067	4	NUT -(Required if Using 841185)

Not For Reproduction

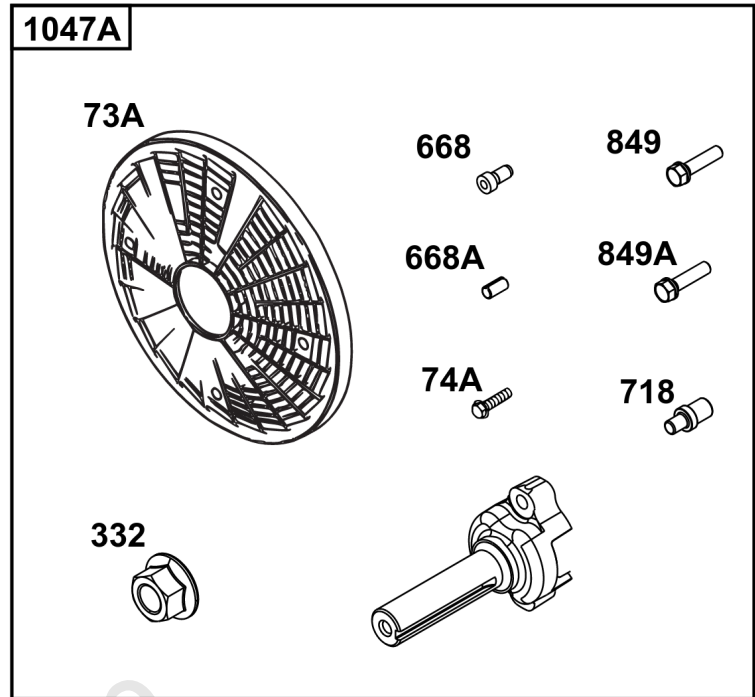
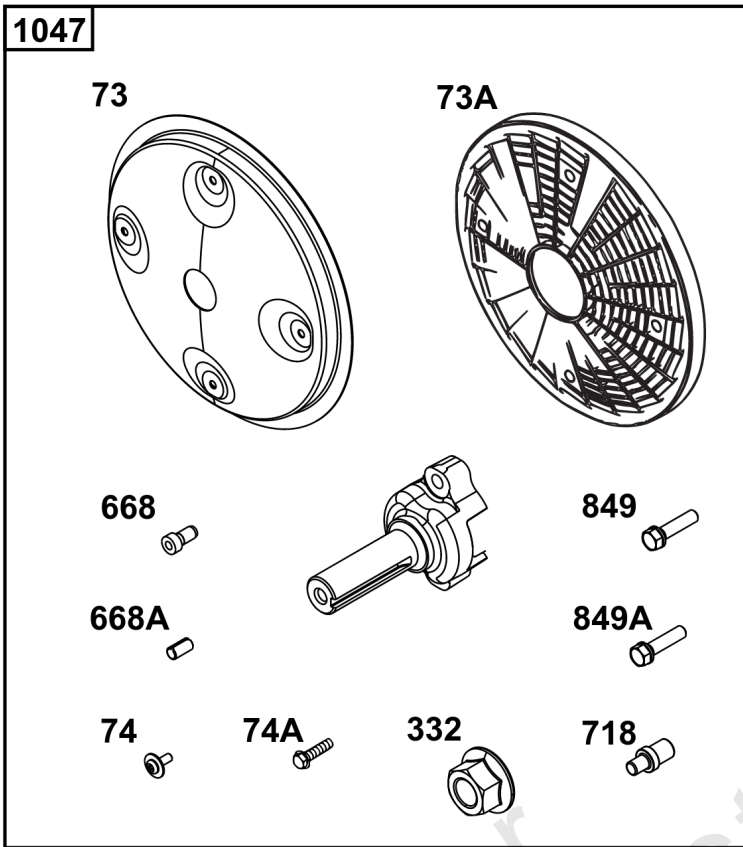


Not For
Reproduction

Flywheel and Air Intake Guards

REF NO	PART NO	QTY	DESCRIPTION
493	845729	4	BRACKET, Mounting
563	841441	4	SCREW
805	843024	1	MINDER, Filter -(For Engines with Cyclonic Air Filter)
930	846284	1	GUARD, Flywheel Fan
949	845728	1	GUARD, Debris Screen -(Vertical: 3867)

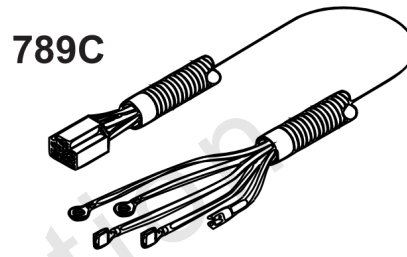
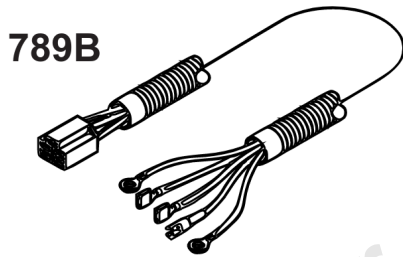
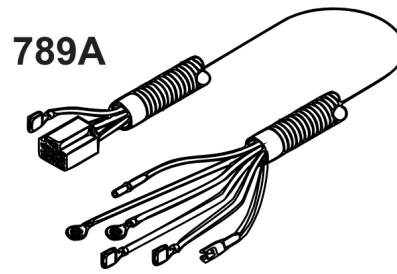
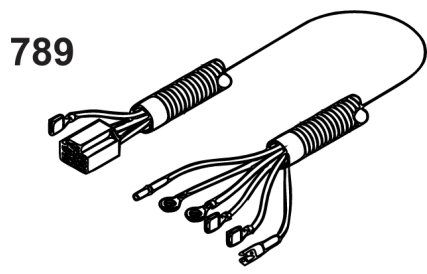
Not For Reproduction




Not For
Reproduction

PTO

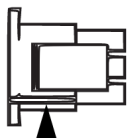
REF NO	PART NO	QTY	DESCRIPTION
73	841582	1	SCREEN, Rotating
73A	494439	1	SCREEN, Rotating
74	841441	4	SCREW -(Rotating Screen)
74A	691647	4	SCREW -(Rotating Screen)
332	690887	1	NUT -(Flywheel)
668	691500	4	SPACER -(Rotating Screen)
668A	691215	4	SPACER -(Rotating Screen)
718	841581	1	PIN, Locating -(32MM)
849	691088	2	SCREW -(Stub Shaft)
849A	846236	2	SCREW -(Stub Shaft)
1047	841580	1	SHAFT, Stub -(1" Diameter) (4.75" Length)
1047A	842655	1	SHAFT, Stub -(1" Diameter) (5.43" Length)



578

A set of ten individual wires of different colors: orange, light orange, black, purple, blue, green, yellow, red, yellow, and black. Each wire has a loose connector on one end.

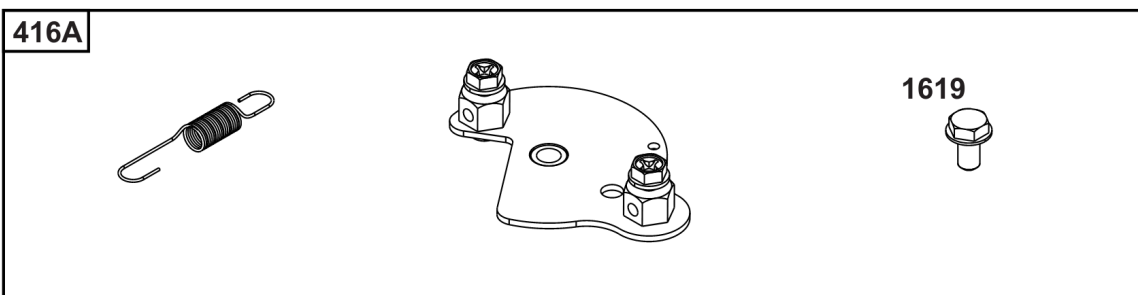
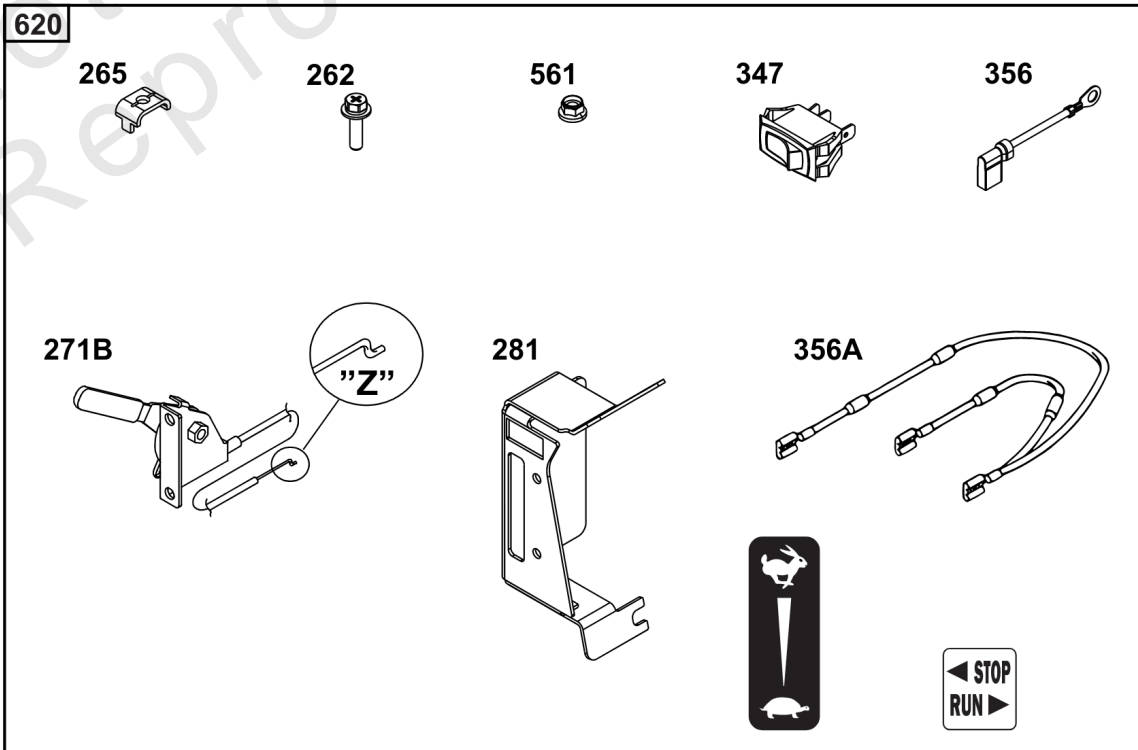
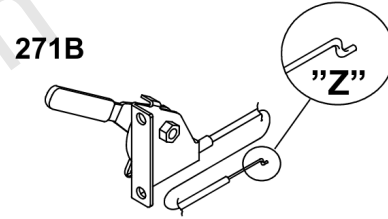
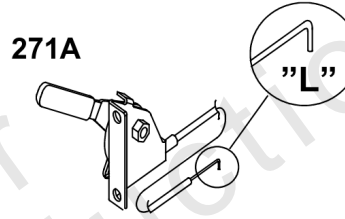
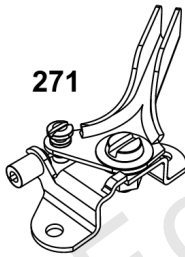
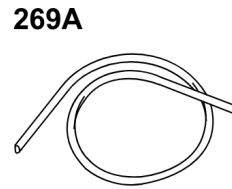
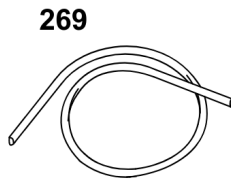
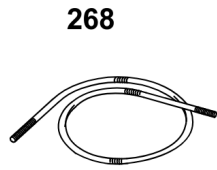
LOOSE CONNECTOR:
TE # 1-480704-0
MATE-N-LOK 6 POSITION HOUSING

A diagram of a MATE-N-LOK 6 position housing with an arrow pointing to the location where the loose connector is inserted.

Electrical

REF NO	PART NO	QTY	DESCRIPTION
415	1714480SM	1	PLUG -(Plug for Ignition Switch Removal)
578	84007350	1	WIRE ASSEMBLY -(Aids in Repowering Engine Application with 6-Pin Connector and Wires with Terminals to Create Custom Adapter Configurations)
789	691996	1	HARNESS, Wiring -(For 16 Amp Alternators)
789A	841318	1	HARNESS, Wiring -(For 16 Amp Alternators with Solenoid Shift Starter)
789B	847601	1	HARNESS, Wiring -(For 20 Amp Alternators)
789C	847602	1	HARNESS, Wiring -(For 20 Amp Alternators with Solenoid Shift Starter)

Not For Reproduction



Speed Control

REF NO	PART NO	QTY	DESCRIPTION
262	841552	1	SCREW
265	691024	1	CLAMP, Casing -(Casing Clamp for Hard Casing)
265A	690798	1	CLAMP, Casing -(Casing Clamp for Soft Casing)
267	792629	1	SCREW -(Screw for Casing Clamp)
268	691025	1	CASING, Control Wire -(Wire Casing 72")
269	26634	1	WIRE, Control -(Control Wire 78")
269A	93907	1	WIRE, Control -(Control Wire 100")
270	691027	1	NUT -(Nut for Wire Casing)
271	691028	1	LEVER, Control -(Speed Control Lever Assembly)
271A	692105	1	LEVER, Control -(Speed Control Lever Assembly) ('L' Shaped End)
271B	692541	1	LEVER, Control -(Speed Control Lever Assembly) ('Z' Shaped End)
281	690742	1	PANEL, Control
347	691995	1	SWITCH-ROCKER
356	690796	1	WIRE, Stop
356A	691999	1	WIRE ASSEMBLY
416	595196	1	BRACKET, Throttle Cable -(Casing Clamp for Snap-In Casing)
416A	84006945	1	BRACKET, Throttle Cable
561	806447	1	NUT
620	494052	1	BRACKET, Control -(Throttle Control for Vanguard V-Twin Horizontal Small Block)
1619	691693	1	SCREW

