

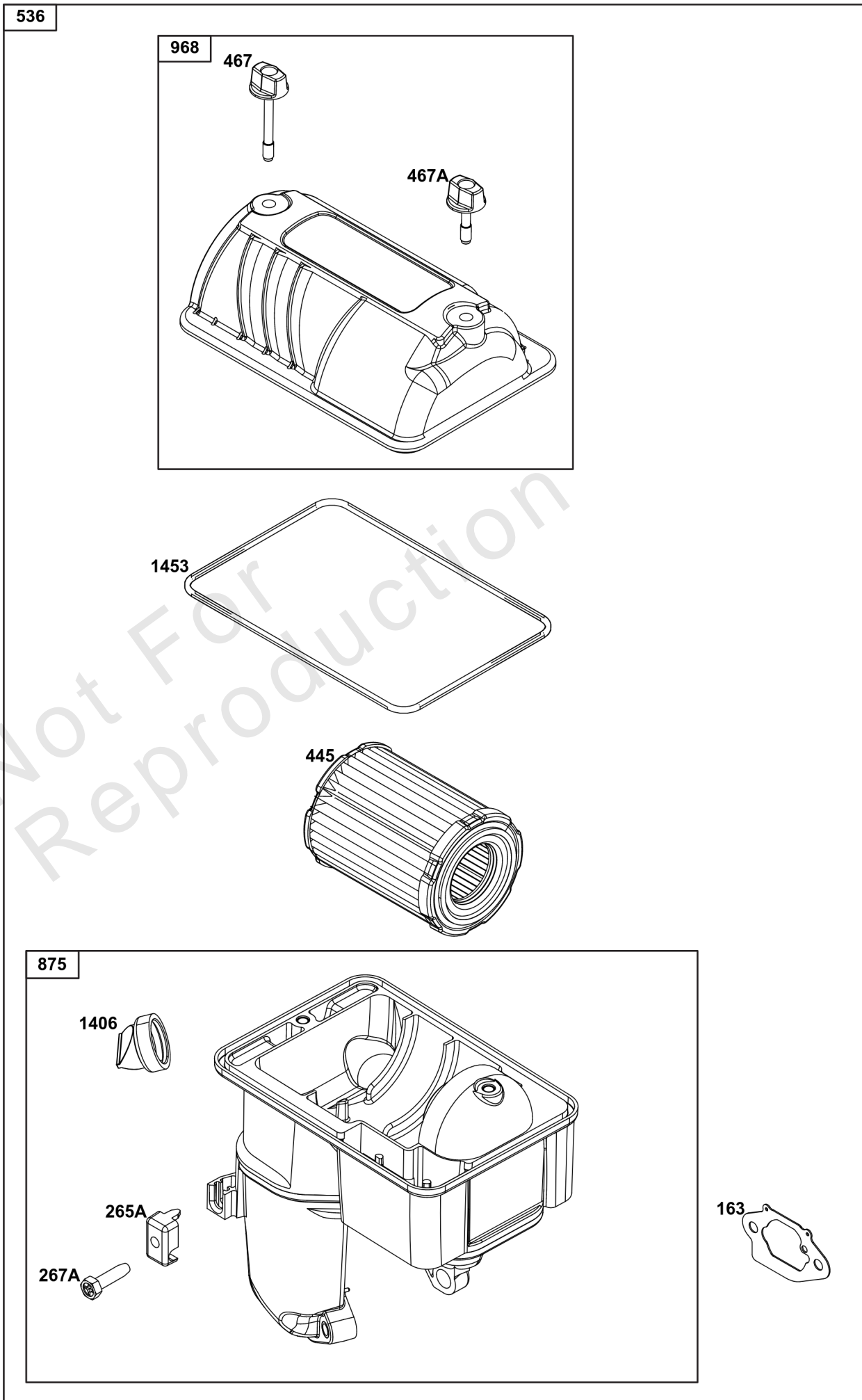


Parts Manual

Mfg. No: 25V332-0003-F1

Model Components	Page
Air Cleaner Group.....	4
Blower Housing Group.....	6
Carburetor Group.....	8
Controls Group.....	10
Crankcase Cover/Sump and Lubrication Group.....	12
Crankshaft Group.....	14
Cylinder Group.....	16
Cylinder Head Group.....	18
Exhaust Group.....	20
Flywheel, Ignition, and Starter Group.....	22
Fuel Supply Group.....	24
Replacement Engine - US & Canada.....	26

Not For
Reproduction





Air Cleaner Group

REF NO	PART NO	QTY	DESCRIPTION
163	-----	1	GASKET, Air Cleaner -(Part information located in Carburetor Group.)
265A	-----	1	CLAMP, Casing -(Part information located in Controls Group.)
267A	-----	1	SCREW -(Part information located in Controls Group.)
445	84002310	1	FILTER, A/C Cartridge
467	84004159	1	KNOB, Air Cleaner Cover
467A	596759	1	KNOB, Air Cleaner Cover
536	84004266	1	CLEANER, Air
875	84004267	1	BASE, AIR CLEANER
968	84004278	1	COVER, Air Cleaner
1406	84007679	1	VALVE, Debris
1453	84004276	1	SEAL, Air Cleaner Cover

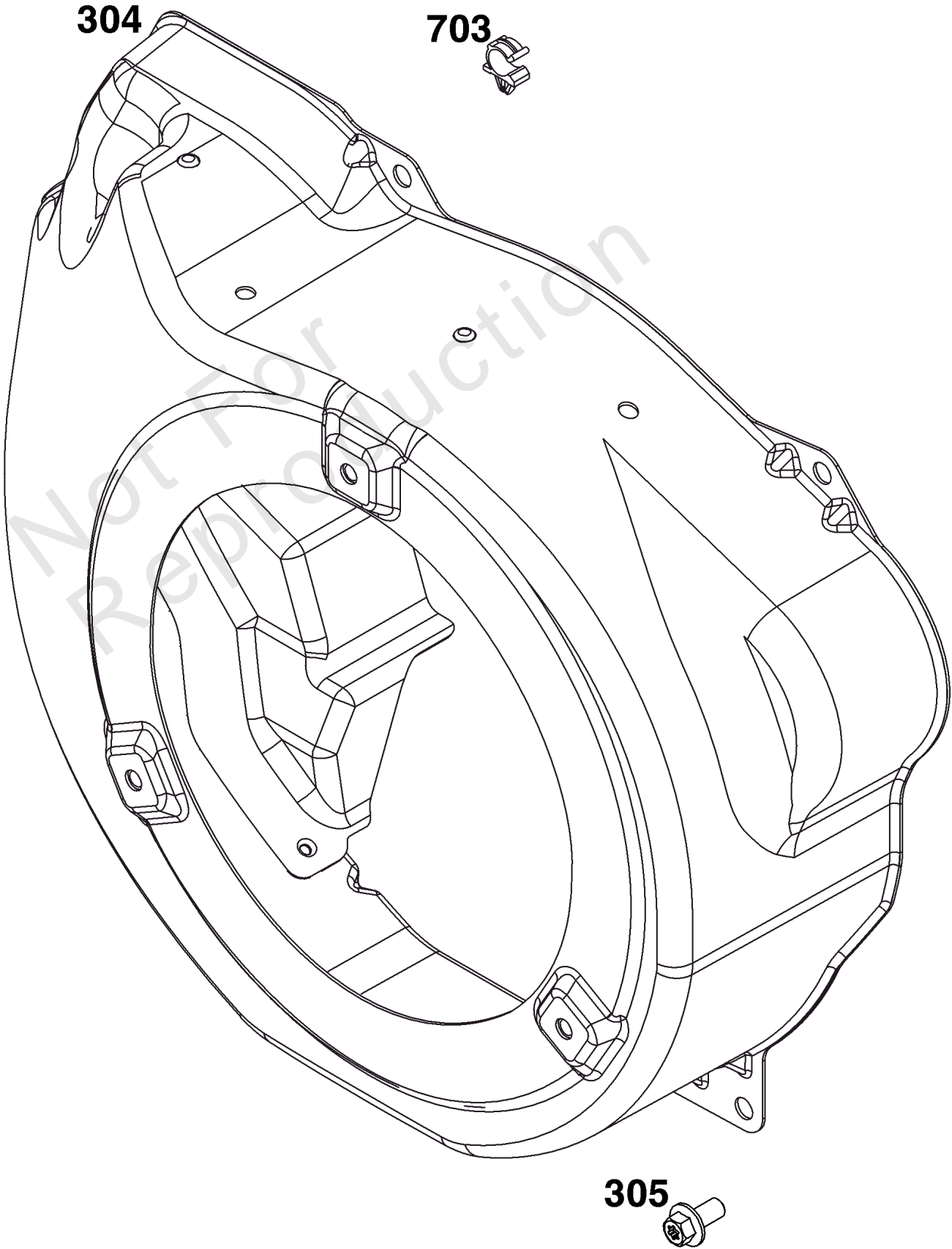
Not For Reproduction

1036 

1319 

1319B 

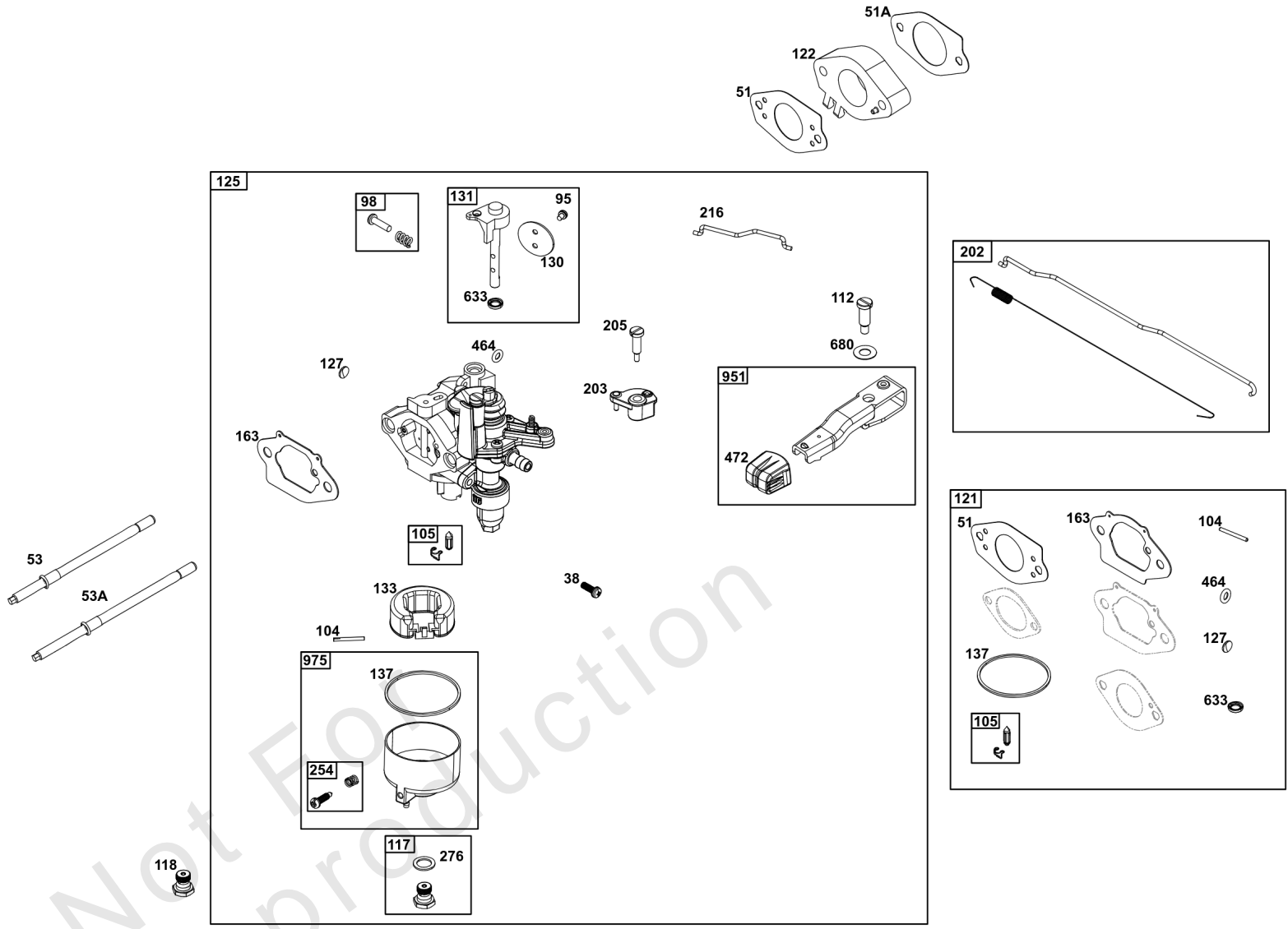
1319A 



Blower Housing Group

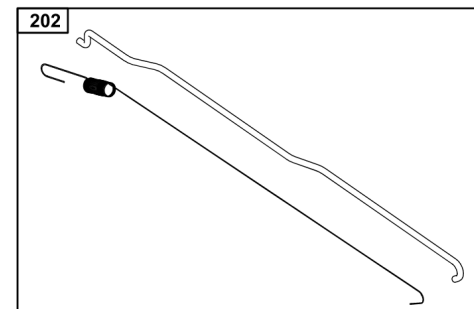
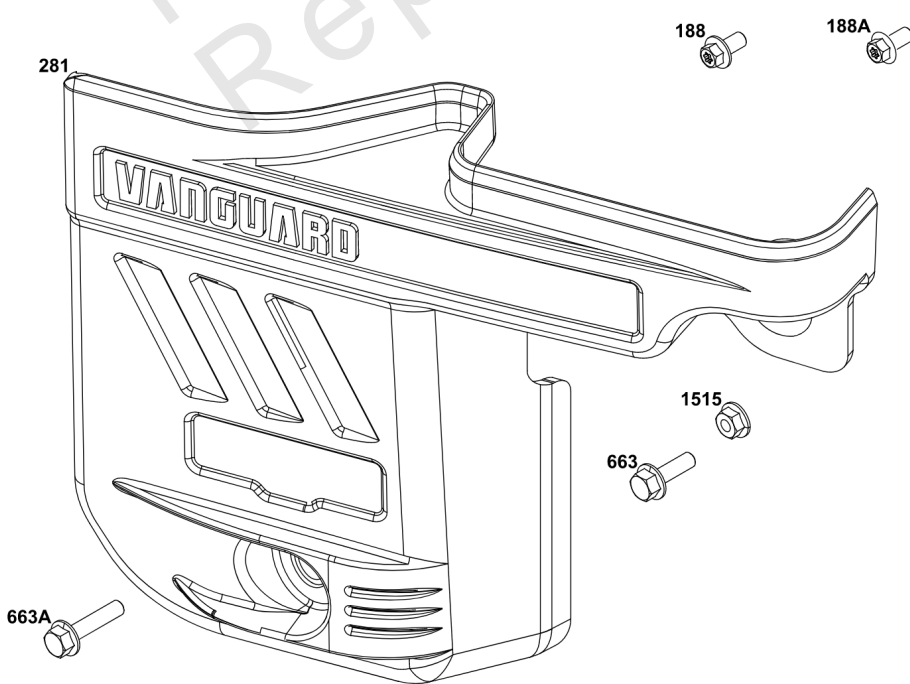
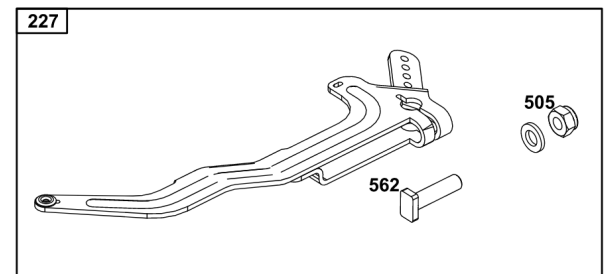
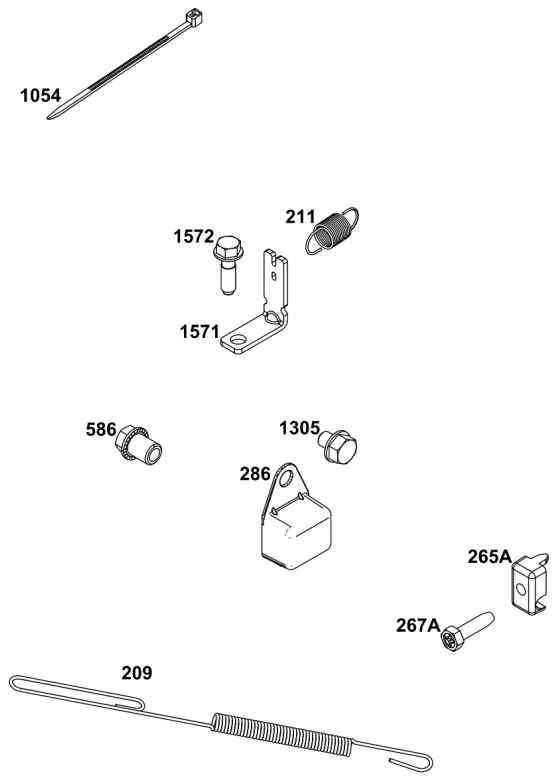
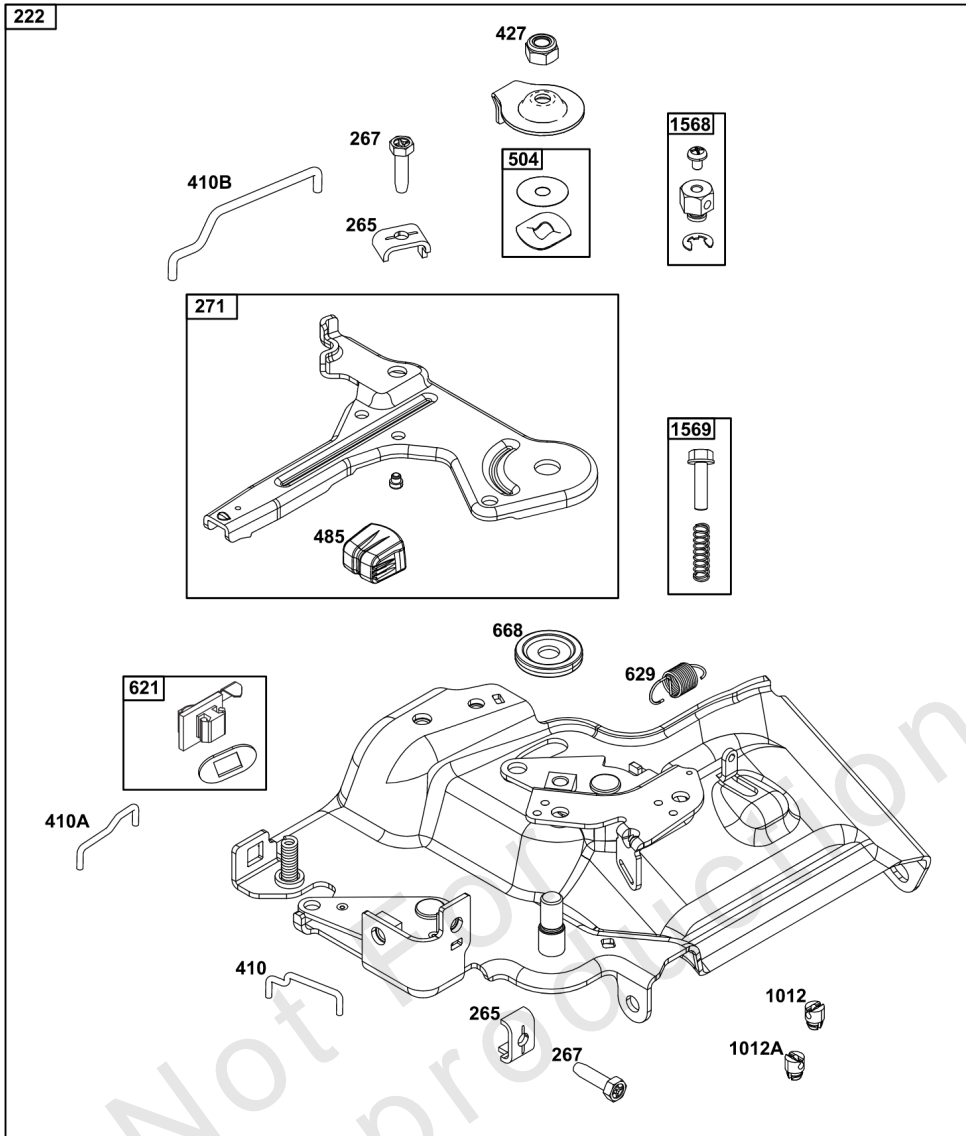
REF NO	PART NO	QTY	DESCRIPTION
304	84004566	1	HOUSING, Blower
305	597078	5	SCREW -(Blower Housing)
703	-----	1	CLIP -(Part information located in Fuel Supply Group.)
1036	-----	1	LABEL, Emissions -(Available from a Briggs & Stratton Authorized Dealer)
1319	794467	1	LABEL, Warning -(REQUIRED When Replacing Parts With Warning Labels Affixed)
1319A	797669	1	LABEL, Warning -(REQUIRED When Replacing Parts With Warning Labels Affixed)
1319B	278911GS	1	LABEL, Warning -(REQUIRED When Replacing Parts With Warning Labels Affixed)

Not For Reproduction



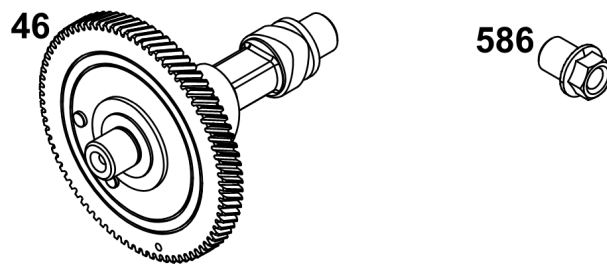
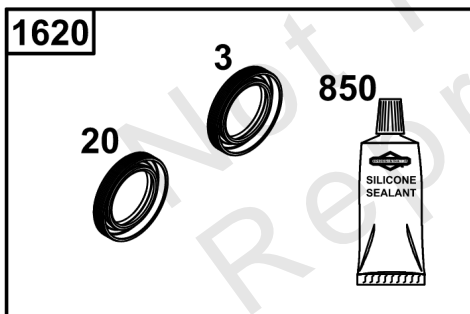
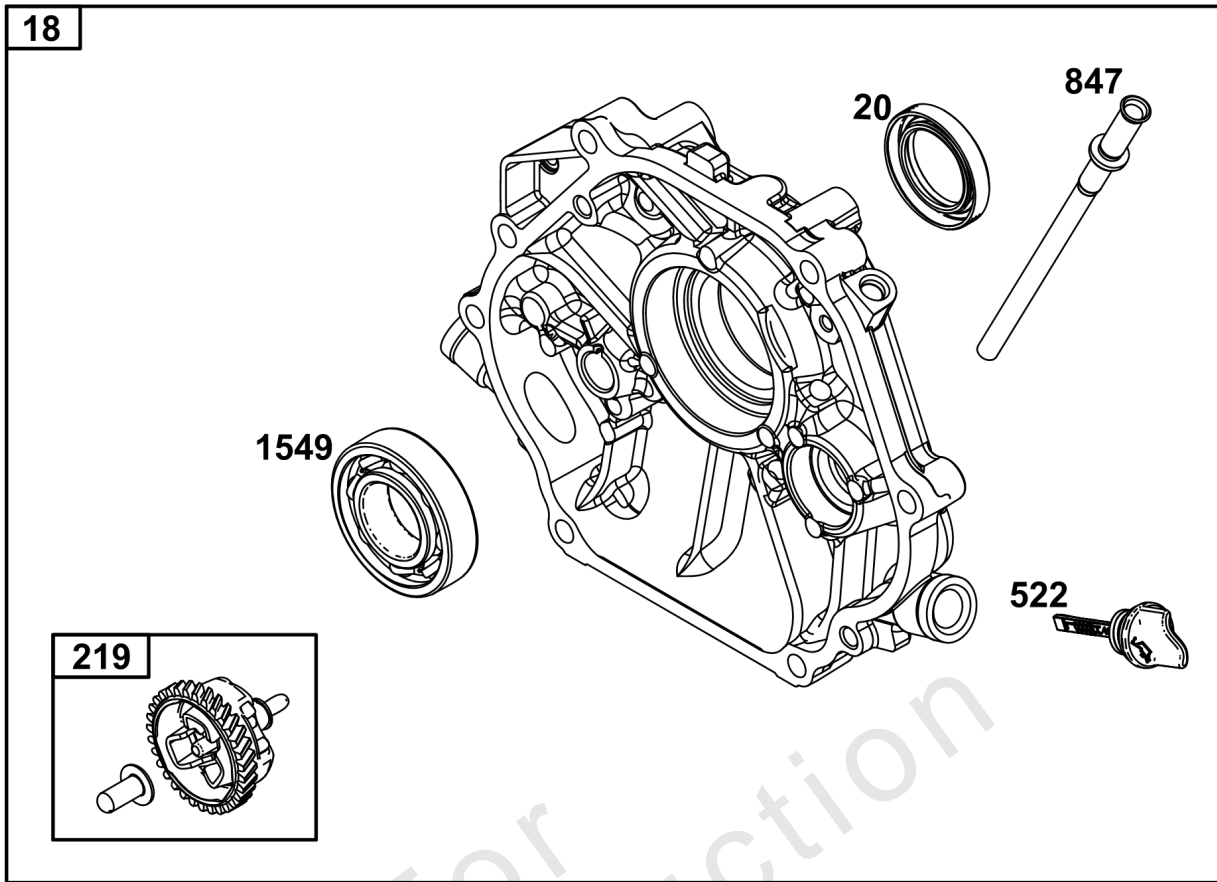
Carburetor Group

REF NO	PART NO	QTY	DESCRIPTION
38	84004585	2	SCREW -(Fuel Shut Off Valve)
51	-----	1	GASKET, Intake -(Part information located in Cylinder Head Group.)
51A	-----	1	GASKET, Intake -(Part information located in Cylinder Head Group.)
53	84004315	1	STUD -(Carburetor) (Short)
53A	84004311	1	STUD -(Carburetor) (Long)
95	797161	2	SCREW -(Throttle Valve)
98	847139	1	KIT, Idle Speed
98	847139	1	KIT, Idle Speed
104	597533	1	PIN, Float Hinge
105	84004840	1	VALVE, Float Needle
105	84004840	1	VALVE, Float Needle
112	84003640	1	SCREW -(Choke Lever)
117	84004827	1	JET, Main -(Standard)
118	84004163	1	JET, Main -(High Altitude)
121	84004975	1	KIT, Carburetor Overhaul -(Service Kits may include extra parts not specific to this engine.)
122	84004306	1	SPACER, Carburetor
125	84004367	1	CARBURETOR
127	84004841	1	PLUG, Welch
130	84004397	1	VALVE, Throttle
131	84004396	1	SEAL, Choke/Throttle Shaft
133	84004822	1	FLOAT, Carburetor
137	84004205	1	GASKET, Float Bowl
163	84004165	1	GASKET, Air Cleaner
202	-----	1	LINK, Mechanical Governor -(Part information located in Controls Group.)
203	597045	1	CRANK, Bell
205	84005081	1	SCREW -(Bell Crank)
216	84005080	1	LINK, Choke
254	595322	1	DRAIN, Carburetor Bowl
254	595322	1	DRAIN, Carburetor Bowl
276	797632	1	WASHER, Sealing
464	595320	1	SEAL, O-Ring -(Fuel Shut-off Valve)
472	84002963	1	KNOB, Control
633	84004398	1	SEAL, Choke/Throttle Shaft
680	84005074	1	WASHER -(Choke Lever)
951	84004369	1	LEVER, Choke
975	84004204	1	BOWL, Float



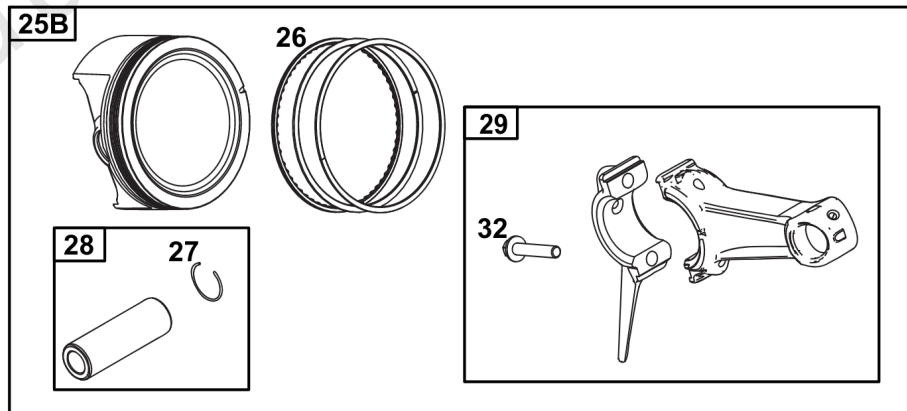
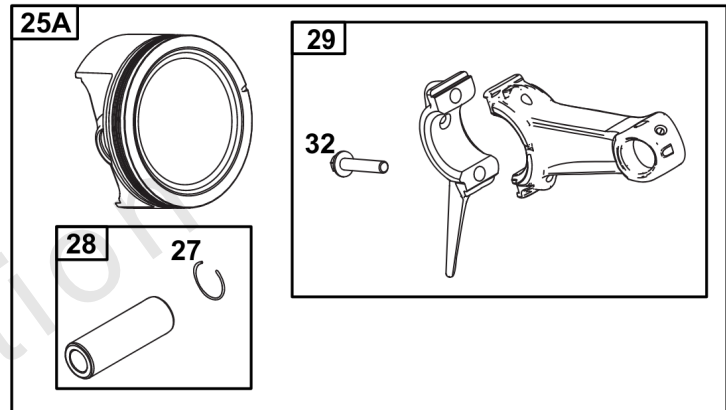
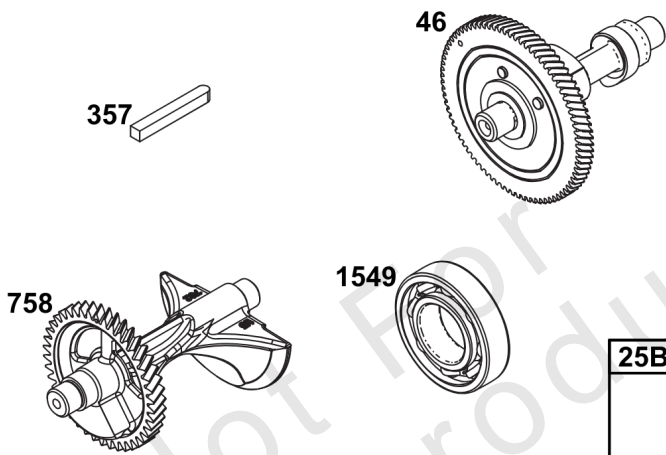
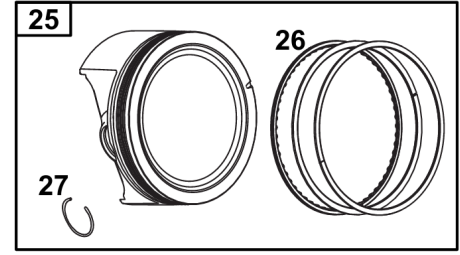
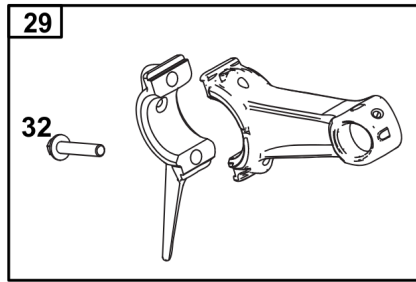
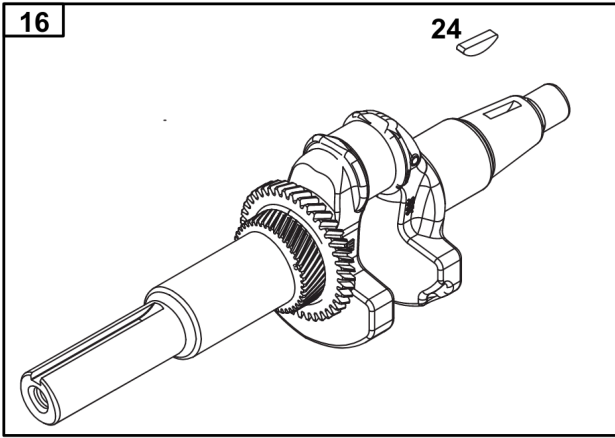
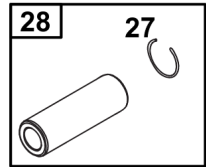
Controls Group

REF NO	PART NO	QTY	DESCRIPTION
188	590850	1	SCREW -(Control Bracket)
188A	597078	2	SCREW -(Control Bracket)
202	84004199	1	LINK, Mechanical Governor
209	84004151	1	SPRING, Governor
211	691278	1	SPRING, Governor
222	84004377	1	BRACKET, Control
227	84004195	1	LEVER, Governor Control
265	691024	2	CLAMP, Casing
265A	84004472	1	CLAMP, Casing
267	597027	2	SCREW -(Casing Clamp)
267A	84004279	1	SCREW -(Casing Clamp)
271	84005003	1	LEVER, Control
281	84004262	1	PANEL, Control
286	84002122	1	MODULE, Oil Sensor
410	84004137	1	LINK, Control
410A	84004131	1	LINK, Control
410B	84004149	1	LINK, Control
427	84004395	1	NUT -(Control Bracket)
485	84002965	1	KNOB, CONTROL
504	84004943	1	SET, Friction Washer
505	590641	1	NUT -(Governor Control Lever)
562	597121	1	BOLT -(Governor Control Lever)
586	-----	1	NUT -(Part information located in Crankcase Cover/Sump and Lubrication Group.)
621	84007989	1	SWITCH, Stop
629	84004146	1	SPRING, Throttle Return
663	84004256	1	SCREW -(Control Panel)
663A	597460	1	SCREW -(Control Panel)
668	84004140	1	SPACER
1012	84004145	3	RETAINER, Link
1012A	84004144	2	RETAINER, Link
1054	280275	1	TIE, Cable
1305	590850	1	SCREW -(Oil Sensor Module)
1515	590692	3	NUT -(Control Panel)
1568	84005001	2	RETAINER, Wire
1569	84005002	1	KIT, Fixed Speed
1571	84004201	1	BRACKET, Governed Idle Spring
1572	597036	1	SCREW -(Governed Idle Spring Bracket)



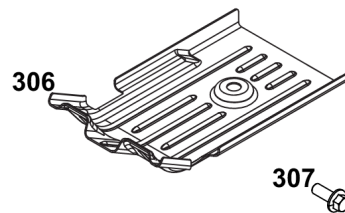
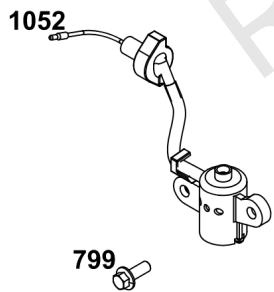
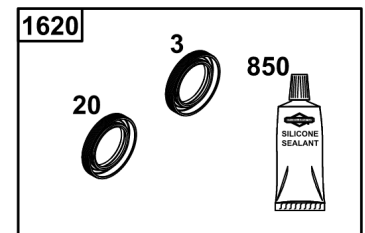
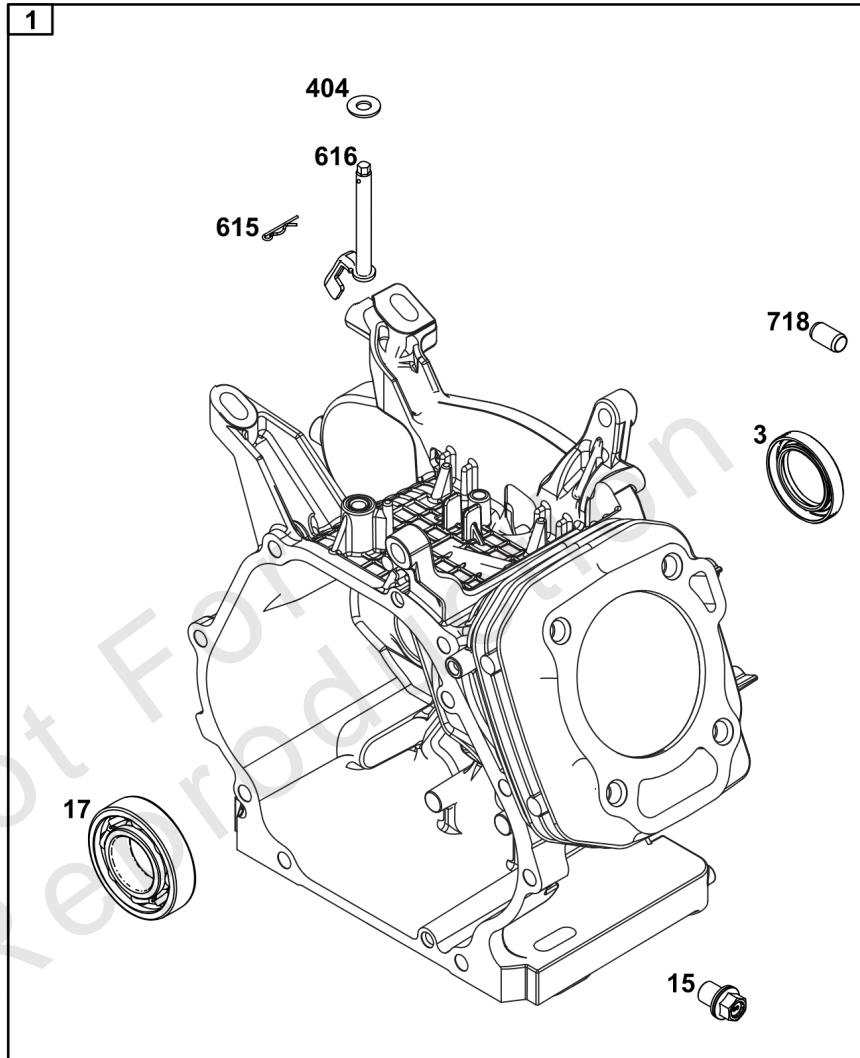
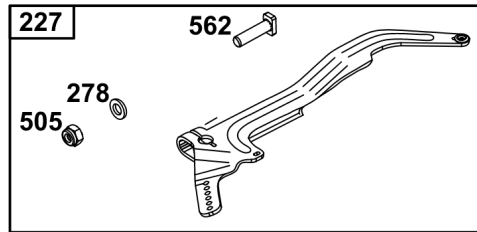
Crankcase Cover/Sump and Lubrication Group

REF NO	PART NO	QTY	DESCRIPTION
3	-----	1	SEAL, Oil -(Part information located in Cylinder Group.)
18	84004477	1	COVER, Crankcase
20	84004101	1	SEAL, Oil -(PTO Side)
22	84004103	7	SCREW -(Crankcase Cover/Sump)
46	-----	1	CAMSHAFT -(Part information located in Crankshaft Group.)
219	84004200	1	GEAR, Governor
522	84004104	2	PLUG, Dipstick/Fill
523	84004105	1	DIPSTICK
586	84004724	1	NUT -(Oil Sensor)
718A	-----	2	PIN, Locating -(Part information located in Cylinder Group.)
847	84004831	1	DIPSTICK/TUBE ASSEMBLY
850	-----	1	SEALANT, Liquid -(Part information located in Cylinder Group.)
1549	-----	1	BEARING, Ball -(Part information located in Crankshaft Group.)
1620	84008367	1	GASKET SET, Crankcase



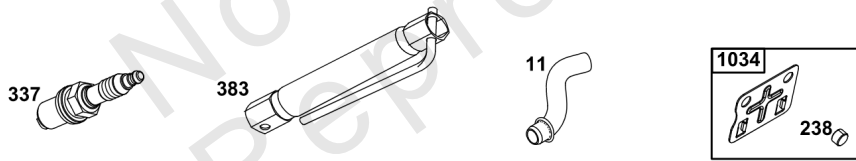
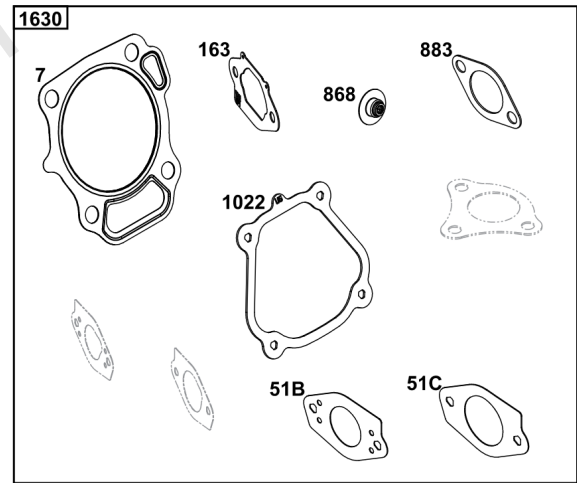
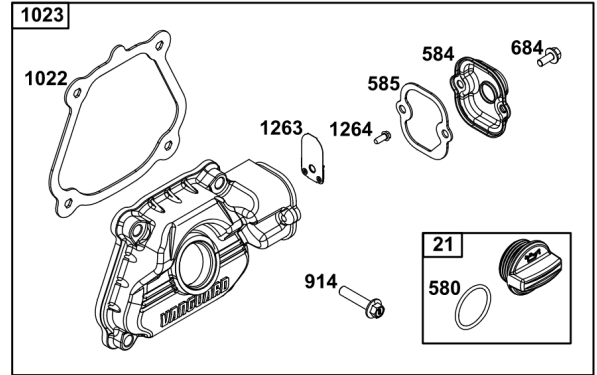
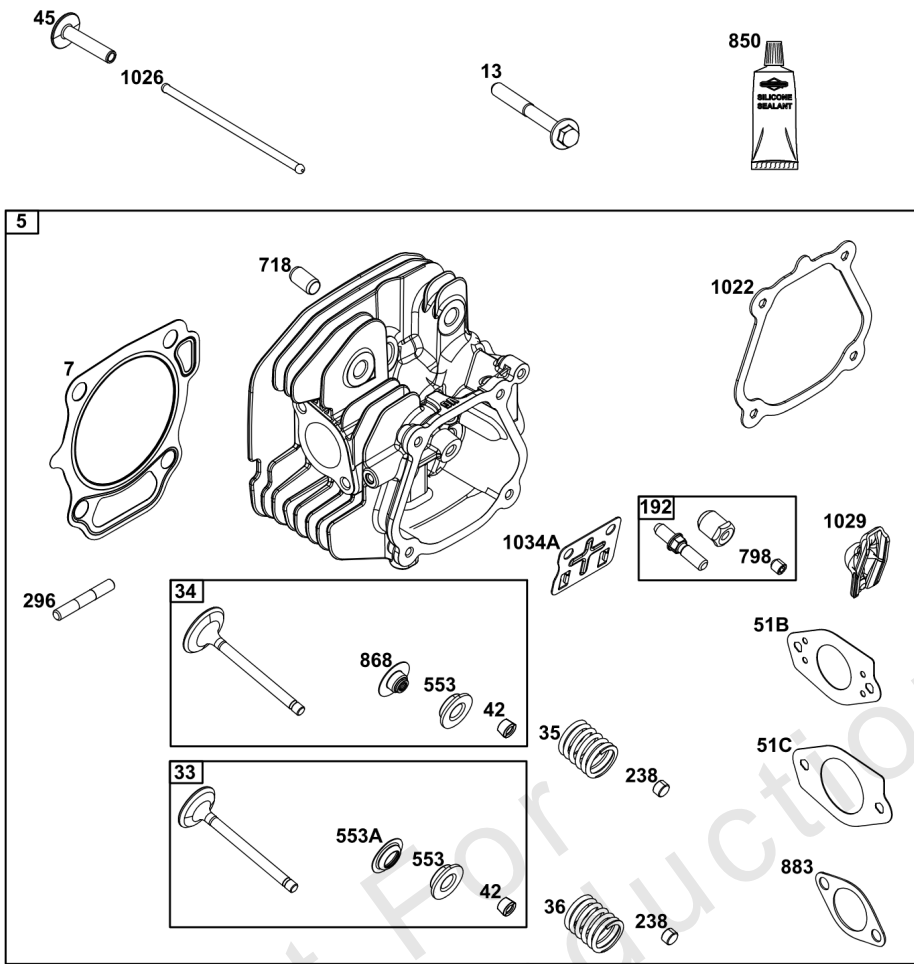
Crankshaft Group

REF NO	PART NO	QTY	DESCRIPTION
16	84003577	1	CRANKSHAFT
24	596976	1	KEY, Flywheel
25	84005038	1	PISTON ASSEMBLY -(Use After Date Code 20120700)
25	84005037	1	PISTON ASSEMBLY -(.020" Oversize) (Use After Date Code 20120700)
25A	84006577	1	PISTON ASSEMBLY -(Use Before Date Code 20120800)
25B	84006578	1	PISTON ASSEMBLY -(.020" Oversize) (Use Before Date Code 20120800)
26	84004091	1	SET, Ring
26	84004097	1	SET, Ring -(.020" Oversize)
27	84005040	2	LOCK, Piston Pin
28	84005039	1	PIN, Piston -(Use After Date Code 20120700)
29	84005041	1	ROD, Connecting -(Use After Date Code 20120700)
32	596984	2	SCREW -(Connecting Rod)
46	84005044	1	CAMSHAFT
357	590960	1	KEY, Drive Pulley
758	84004464	1	COUNTERWEIGHT
1549	84003459	1	BEARING, BALL -(Crankshaft)



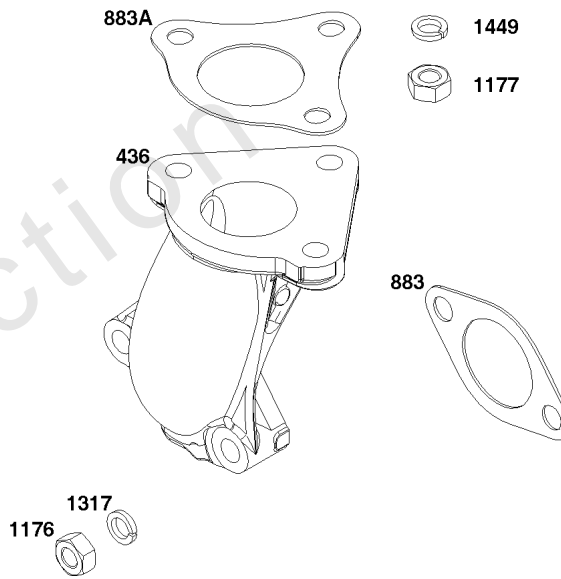
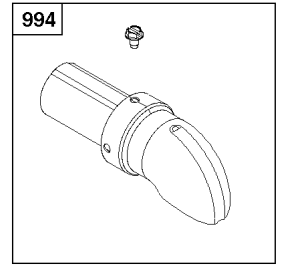
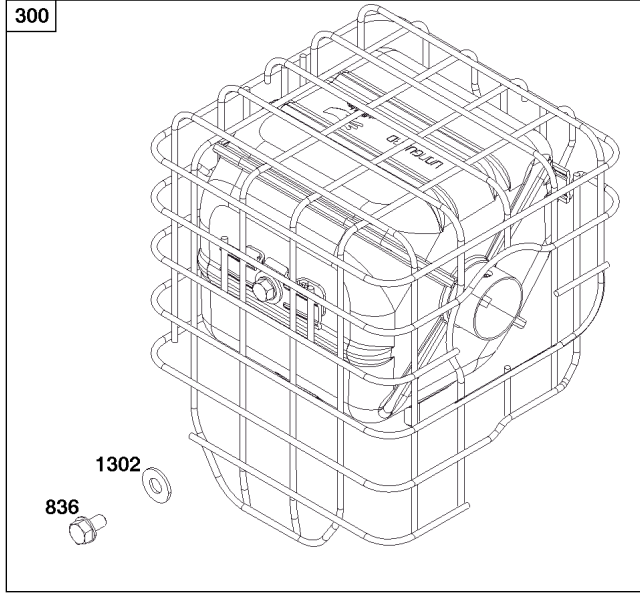
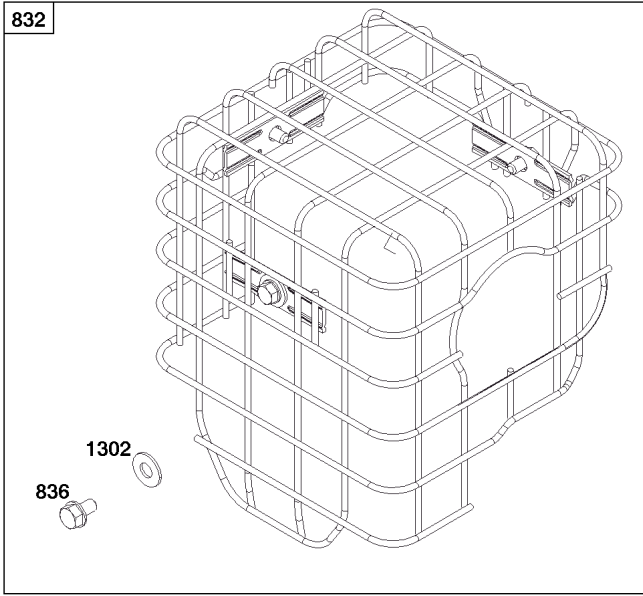
Cylinder Group

REF NO	PART NO	QTY	DESCRIPTION
1	84004371	1	CYLINDER ASSEMBLY
3	84004101	1	SEAL, Oil -(Magneto Side)
15	84004108	2	PLUG, Oil Drain
17	84004100	1	BEARING, Ball -(Cylinder)
20	-----	1	SEAL, Oil -(Part information located in Crankcase Cover/Sump and Lubrication Group.)
227	-----	1	LEVER, Governor Control -(Part information located in Controls Group.)
278	-----	1	WASHER -(Part information located in Controls Group.)
306	84004123	1	SHIELD, Cylinder
307	590850	1	SCREW -(Cylinder Shield)
404	84004197	1	WASHER -(Governor Crank)
505	-----	1	NUT -(Part information located in Controls Group.)
562	-----	1	BOLT -(Part information located in Controls Group.)
586	-----	1	NUT -(Part information located in Crankcase Cover/Sump and Lubrication Group.)
615	84004198	1	RETAINER, Governor Shaft
616	84004196	1	CRANK, Governor
718	84004120	2	PIN, Locating
718A	590713	2	PIN, Locating
799	590703	2	SCREW -(Oil Sensor)
850	100106	1	SEALANT, Liquid
1052	590671	1	SENSOR, Oil
1620	-----	1	GASKET SET, Crankcase -(Part information located in Crankcase Cover/Sump Group.)



Cylinder Head Group

REF NO	PART NO	QTY	DESCRIPTION
5	84005042	1	HEAD, Cylinder
7	84004760	1	GASKET, Cylinder Head
11	84004125	1	TUBE, Breather
13	84004122	4	SCREW -(Cylinder Head)
21	597014	1	CAP, Oil Fill
33	84004114	1	VALVE, Exhaust
34	84004113	1	VALVE, Intake
35	84004112	2	SPRING, Valve -(Intake)
36	84004112	2	SPRING, Valve -(Exhaust)
42	84004116	4	KEEPER, Valve
45	84004130	2	TAPPET, Valve
51B	84004164	1	GASKET, Intake
51C	84004166	1	GASKET, Intake
163	-----	1	GASKET, Air Cleaner -(Part information located in Carburetor Group.)
192	597006	2	ADJUSTER, Rocker Arm
238	84004109	2	CAP, Valve
296	84004119	2	STUD -(Muffler)
337	597383	1	PLUG, Spark
383	19576S	1	WRENCH, Spark Plug
553	84004117	2	RETAINER, Valve Spring
553A	84004118	1	RETAINER, Valve Spring
580	809894	1	SEAL, O-Ring -(Oil Fill Cap)
584	597011	1	COVER, Breather Passage
585	597010	1	GASKET, Breather Passage
684	597012	2	SCREW -(Breather Passage Cover)
718	-----	2	PIN, Locating -(Part information located in Cylinder Group.)
798	597000	2	SCREW -(Rocker Arm)
850	-----	1	SEALANT, Liquid -(Part information located in Cylinder Group.)
868	84004111	1	SEAL, Valve
883	-----	1	GASKET, Exhaust -(Part information located in Exhaust Group.)
914	597016	4	SCREW -(Rocker Cover)
1022	84004126	1	GASKET, Rocker Cover
1023	84004124	1	COVER, Rocker
1026	84004129	2	ROD, Push
1029	84004110	2	ARM, Rocker
1034	84006550	1	GUIDE, Push Rod -Used Before Code Date 20092400
1034A	84005043	1	GUIDE, Push Rod -Used After Code Date 20092300
1263	697124	1	REED, Breather
1264	793453	1	SCREW -(Breather Reed)
1630	84012627	1	GASKET SET, Valve -(Service Kits can include parts not for this engine.)

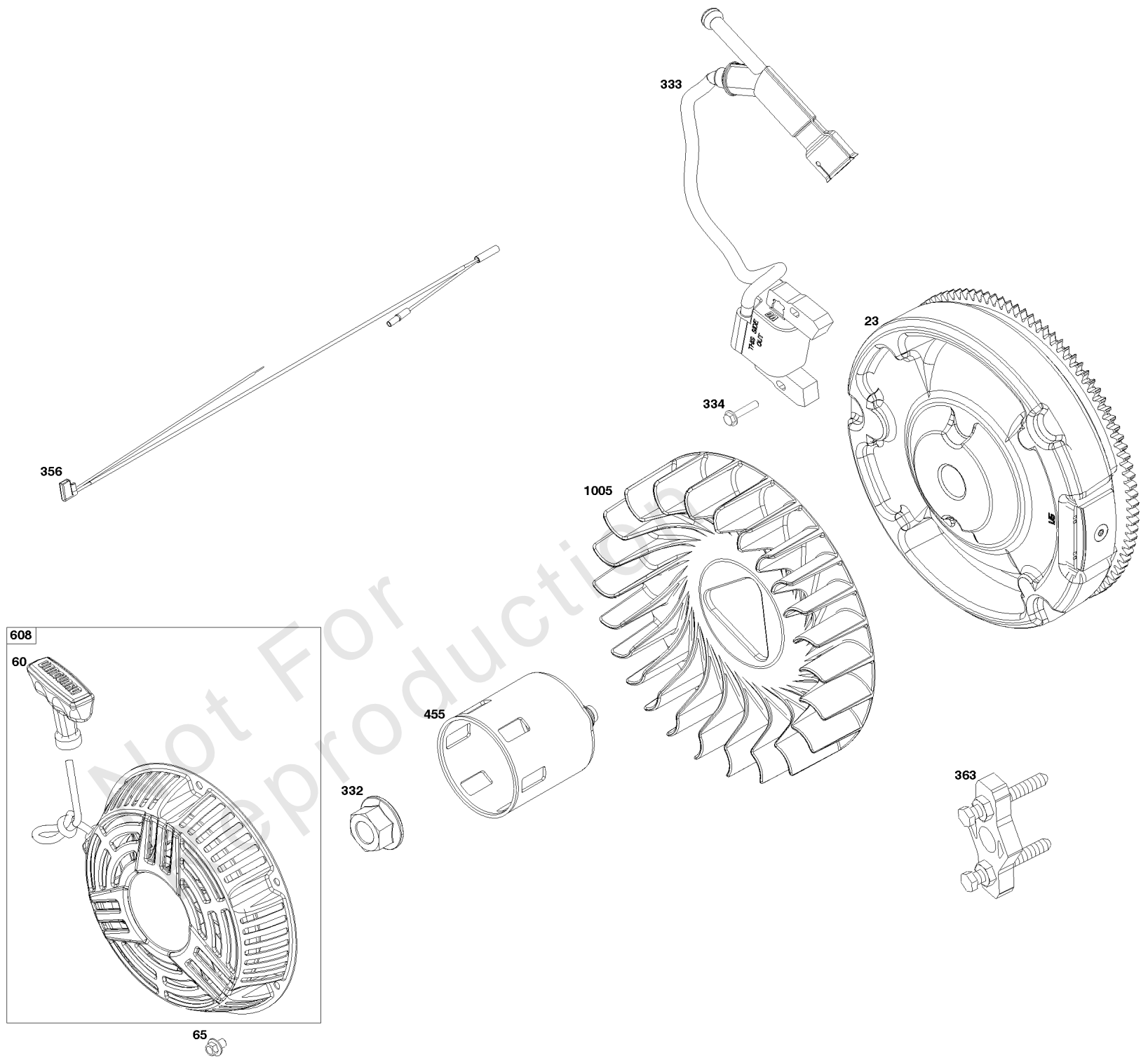


Not For
Reproduction

Exhaust Group

REF NO	PART NO	QTY	DESCRIPTION
300	84004467	1	MUFFLER
436	84004461	1	MANIFOLD, Exhaust
832	84004465	1	GUARD, Muffler
836	699491	3	SCREW -(Muffler Guard)
883A	84004280	1	GASKET, Exhaust
883	84004409	1	GASKET, Exhaust
994	593207	1	ARRESTOR, Spark
1176	590632	2	NUT -(Exhaust Manifold)
1177	590632	3	NUT -(Muffler)
1302	84004197	3	WASHER -(Muffler Guard)
1317	590633	2	WASHER -(Exhaust Manifold)
1449	590633	3	WASHER -(Muffler)

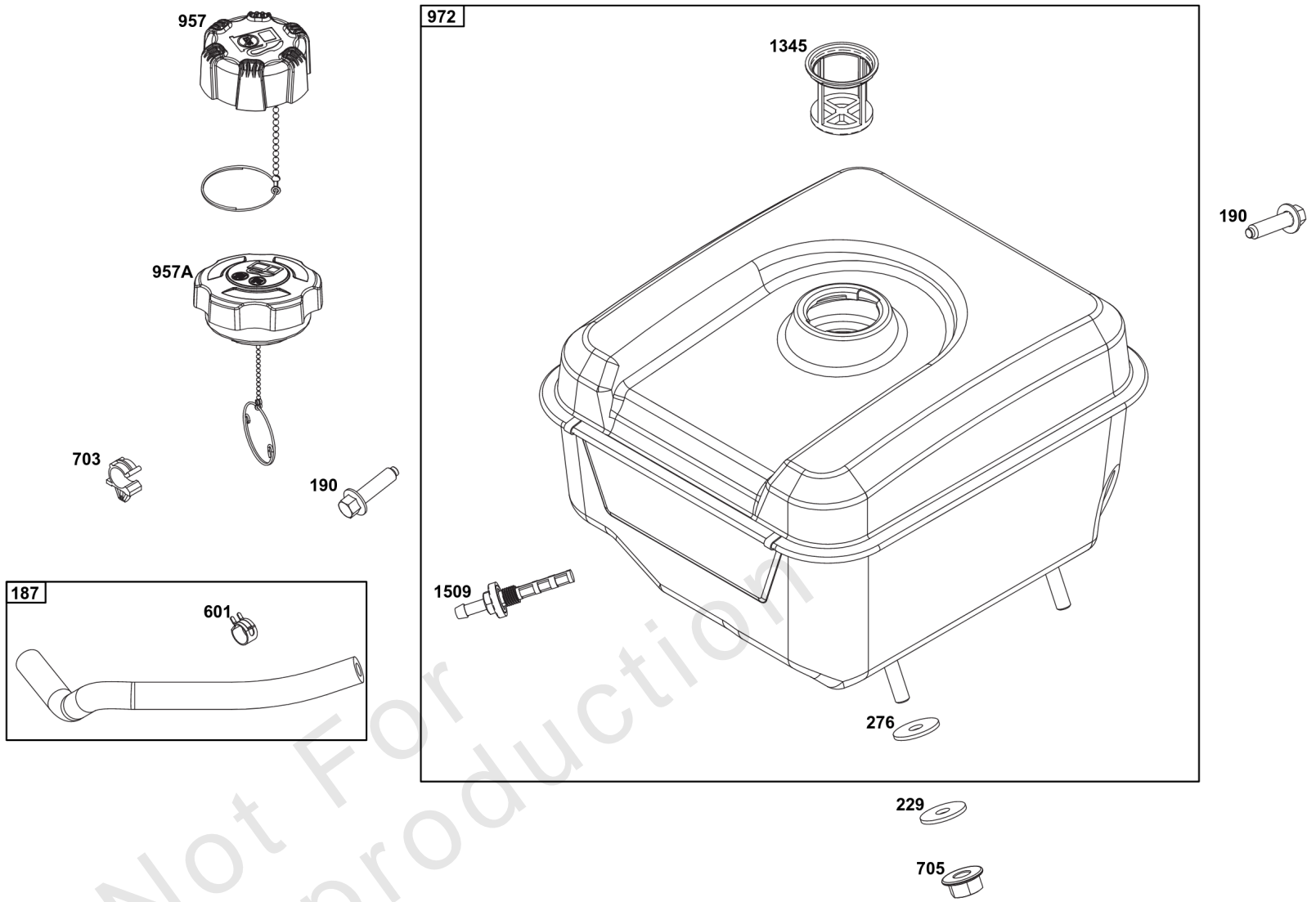
Not For Reproduction



Flywheel, Ignition, and Starter Group

REF NO	PART NO	QTY	DESCRIPTION
23	84004284	1	FLYWHEEL
60	597080	1	GRIP, Starter Rope
65	590683	3	SCREW -(Rewind Starter)
332	591988	1	NUT -(Flywheel)
333	84004162	1	ARMATURE, Magneto
334	699477	2	SCREW -(Magneto Armature)
356	84004209	1	WIRE, Stop
363	19203	1	PULLER, Flywheel
455	84004287	1	CUP, Flywheel
608	84004174	1	STARTER, Rewind
1005	84004286	1	FAN, Flywheel

Not For Reproduction



Fuel Supply Group

REF NO	PART NO	QTY	DESCRIPTION
187	84004224	1	LINE, Fuel
190	84004226	2	SCREW -(Fuel Tank)
229	84004227	2	WASHER -(Fuel Tank)
276	84004253	2	WASHER, Sealing
601	791850	2	CLAMP, Hose
703	590967	1	CLIP
705	707919	2	NUT -(Fuel Tank)
957	596765	1	CAP, Fuel Tank -Used Before Code Date 22010100
957A	84007570	1	CAP, Fuel Tank -Used After Code Date 21123100
972	84004212	1	TANK, Fuel
1345	792917	1	FILTER, Filler Neck
1509	797346	1	OUTLET, Tank

Not For Reproduction

Replacement Engine - US & Canada

REF NO	PART NO	QTY	DESCRIPTION
	25V3320005F1	1	Replacement Engine
	-----		Idle Speed: 1450
	-----		Top No-Load Speed: 3600

Not For Reproduction

